



US00D926596S

(12) **United States Design Patent** (10) **Patent No.:** **US D926,596 S**
Scheufele (45) **Date of Patent:** **** Aug. 3, 2021**

(54) **WRISTWATCH** D591,176 S * 4/2009 Monachon D10/32
 D703,552 S * 4/2014 Monachon D10/32
 (71) Applicant: **Chopard International SA**, Prangins D720,630 S * 1/2015 Nashimoto D10/32
 (CH) D769,135 S * 10/2016 Chen D10/39
 D793,876 S * 8/2017 Lasserre D10/38
 (72) Inventor: **Karl-Friedrich Scheufele**, Prangins D795,088 S * 8/2017 Monachon D10/30
 (CH) D858,315 S * 9/2019 Monachon D10/39
 D861,503 S * 10/2019 Monachon D10/30
 D902,744 S * 11/2020 Cazzola D10/32
 (**) Term: **15 Years** D920,136 S * 5/2021 Candamil D10/39

FOREIGN PATENT DOCUMENTS

(21) Appl. No.: **35/509,679**
 (22) Filed: **Dec. 23, 2019**
 (80) **Hague Agreement Data**
 Int. Filing Date: **Dec. 23, 2019**
 Int. Reg. No.: **DM/205986**
 Int. Reg. Date: **Dec. 23, 2019**
 Int. Reg. Pub. Date: **Jun. 26, 2020**

WO DM/027157 4/1993
 WO DM/030840 7/1994
 WO DM/031437 9/1994

* cited by examiner

Primary Examiner — George D. Kirschbaum

(57) **CLAIM**

The ornamental design for wristwatch, as shown and described.

DESCRIPTION

(51) **LOC (13) Cl.** **10-02**
 (52) **U.S. Cl.**
 USPC **D10/32**
 (58) **Field of Classification Search**
 USPC D10/32, 38, 39
 See application file for complete search history.

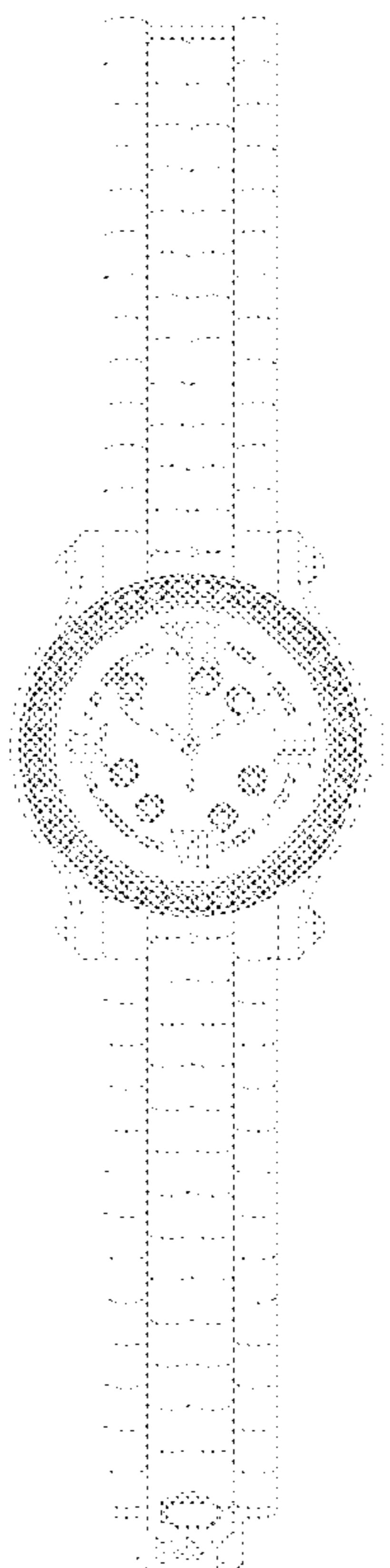
- 1. Wristwatch
- 1.1 : Front
- 1.2 : Back
- 1.3 : Right
- 1.4 : Left
- 1.5 : Top
- 1.6 : Bottom
- 1.7 : Perspective

(56) **References Cited**

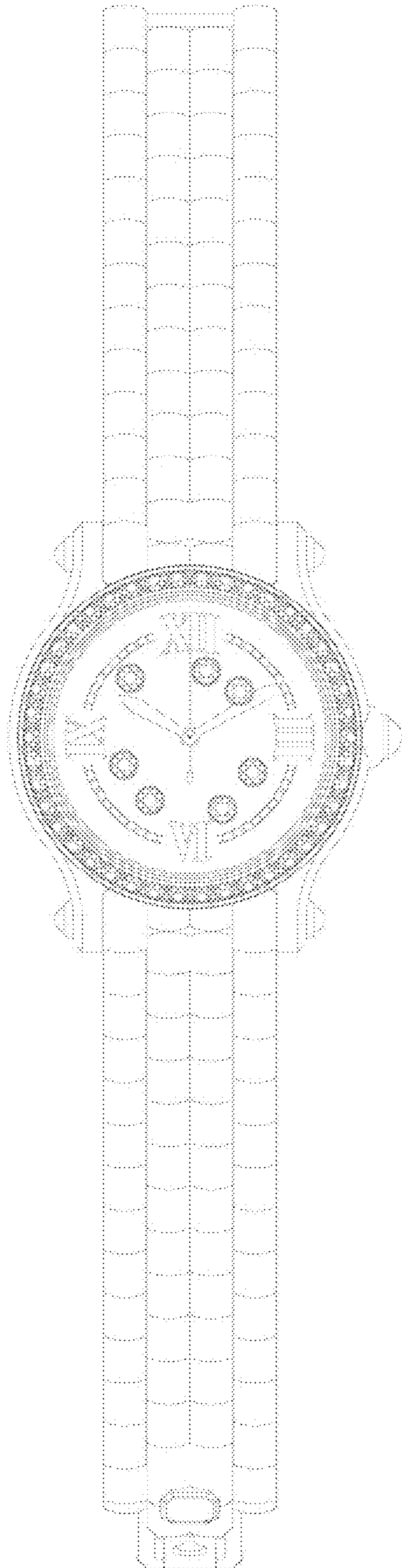
U.S. PATENT DOCUMENTS

D532,320 S * 11/2006 Arabo D10/38
 D559,130 S * 1/2008 Laucella D10/39

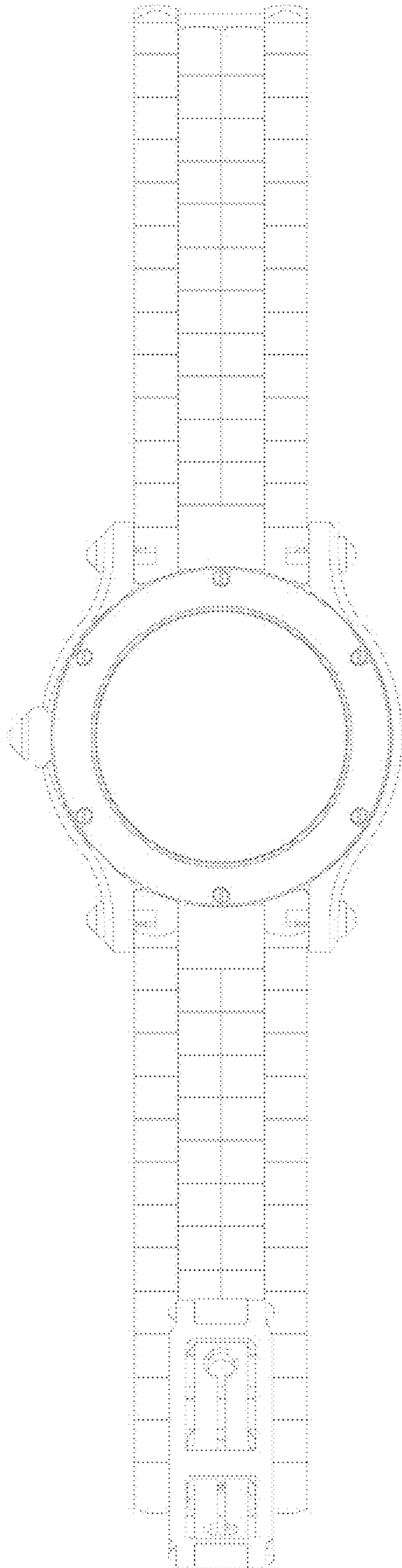
1 Claim, 7 Drawing Sheets



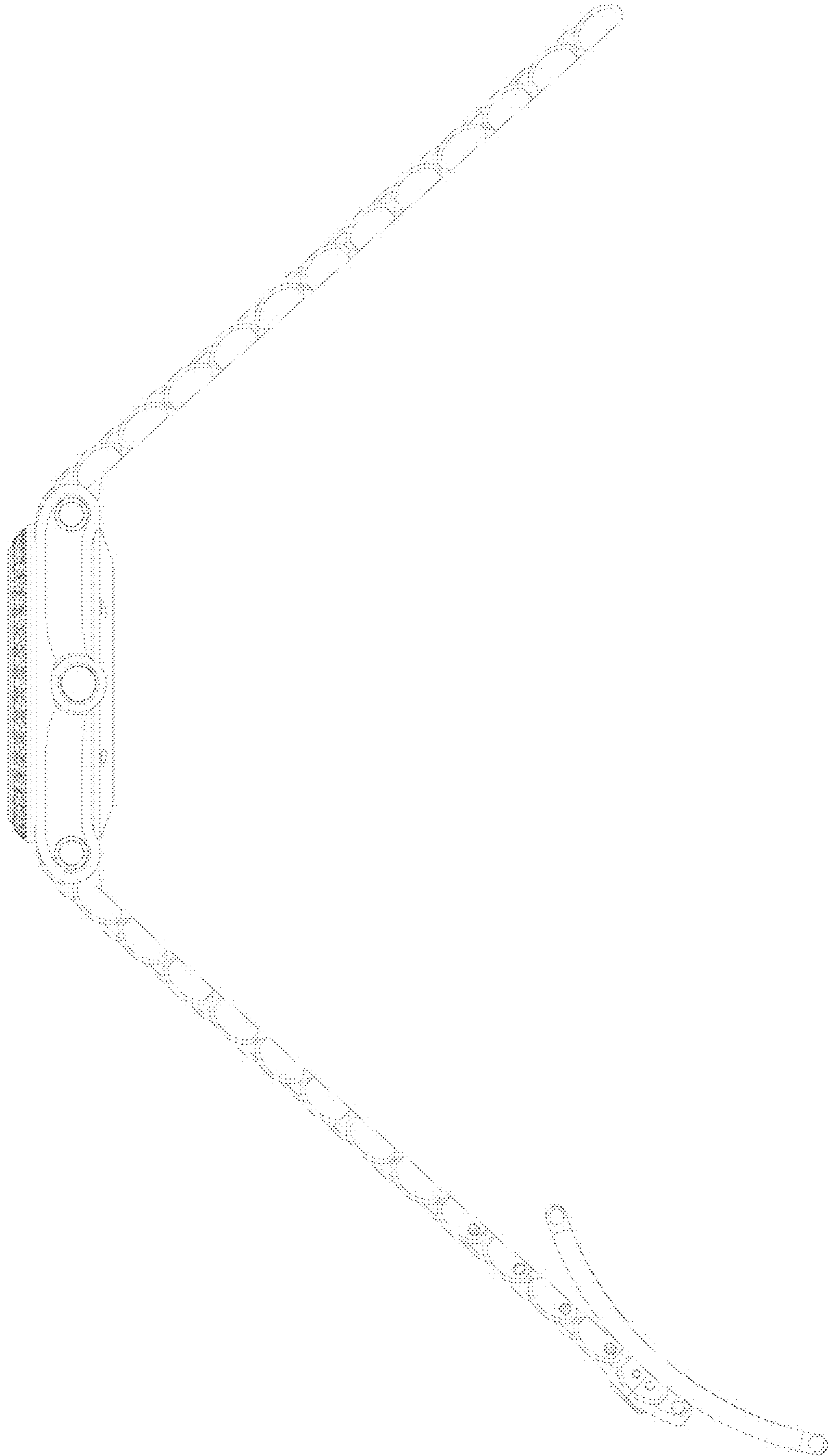
1.1



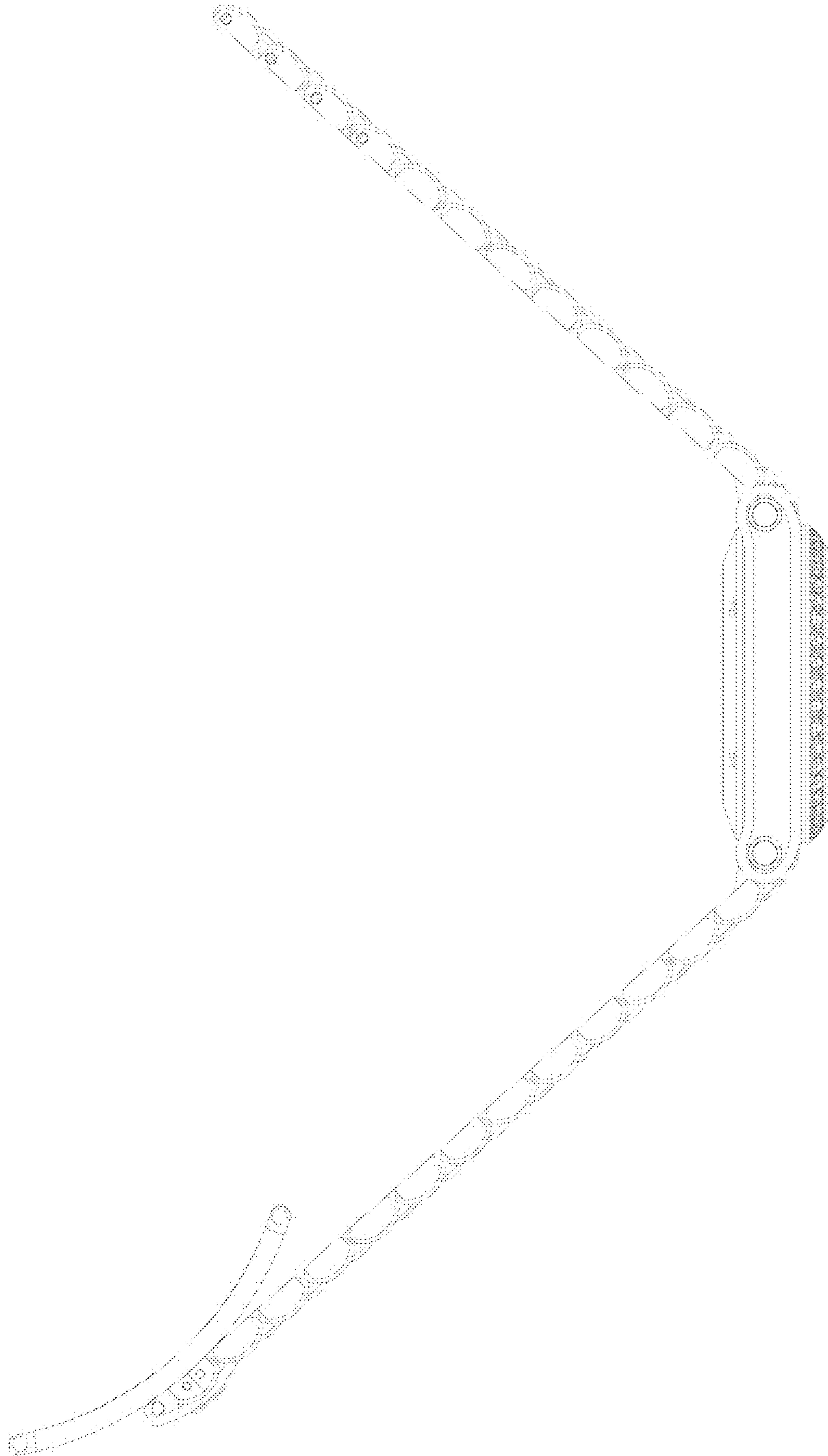
1.2



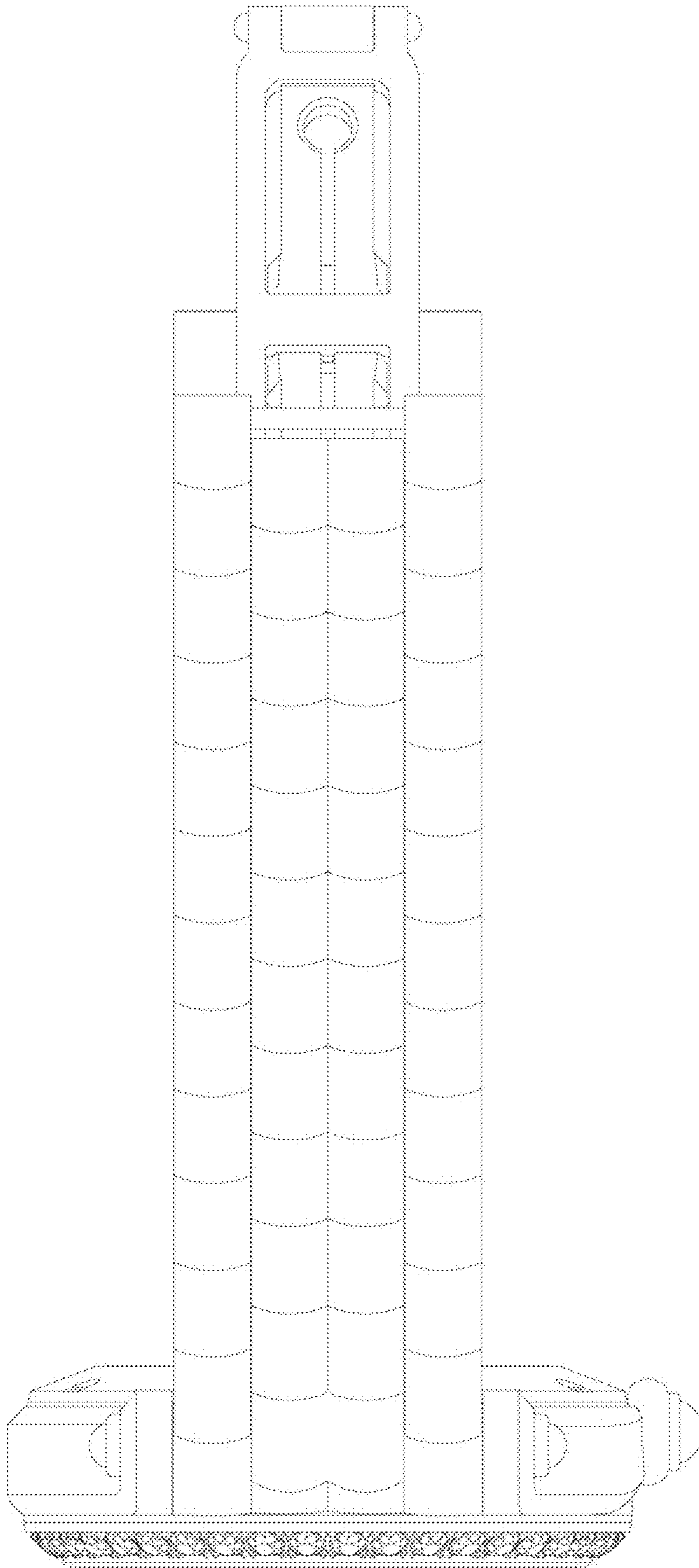
1.3



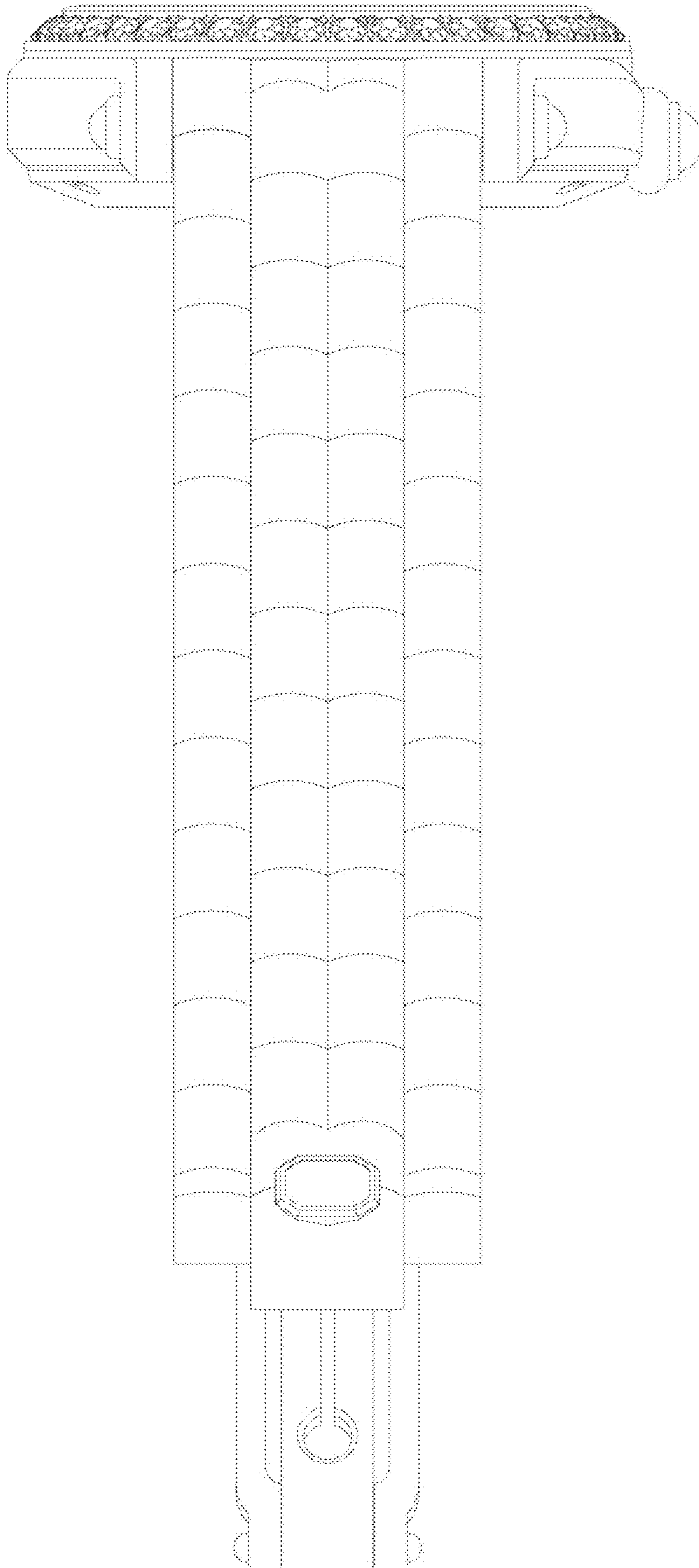
1.4



1.5



1.6



1.7

