

US00D926591S

(12) **United States Design Patent** (10) **Patent No.:** **US D926,591 S**
Rana (45) **Date of Patent:** **** Aug. 3, 2021**

(54) **PACKAGING FOR FOODSTUFFS**
(71) Applicant: **PASTIFICIO RANA S.p.A.**, San Giovanni Lupatoto (IT)
(72) Inventor: **Gian Luca Rana**, San Giovanni Lupatoto (IT)
(73) Assignee: **PASTIFICIO RANA S.p.A.**

D680,873 S * 4/2013 Kim D9/643
D739,191 S * 9/2015 Rana D7/707
D799,332 S * 10/2017 Kwon D9/643
D799,334 S * 10/2017 Na D9/643
D801,828 S * 11/2017 Persson D9/707
D863,978 S * 10/2019 van den Hurk D9/707
10,766,687 B2 * 9/2020 Simmons B65D 83/0805
D905,564 S * 12/2020 Unterlechner D9/703
(Continued)

(**) Term: **15 Years**
(21) Appl. No.: **35/508,618**
(22) Filed: **Apr. 11, 2019**

(80) **Hague Agreement Data**
Int. Filing Date: **Apr. 11, 2019**
Int. Reg. No.: **DM/205786**
Int. Reg. Date: **Apr. 11, 2019**
Int. Reg. Pub. Date: **Feb. 14, 2020**

(30) **Foreign Application Priority Data**
Mar. 1, 2019 (WO) DM/201903
(51) **LOC (13) Cl.** **09-05**
(52) **U.S. Cl.**
USPC **D9/707**
(58) **Field of Classification Search**
USPC D9/414, 416, 432, 702, 703, 707, 709,
D9/711, 434-436, 499
CPC B65D 1/00; B65D 1/02; B65D 1/0223;
B65D 1/40; B65D 23/00; B65D 23/12;
B65D 23/14; B65D 2203/00; B65D
2203/02; B65D 2501/0009
See application file for complete search history.

(56) **References Cited**
U.S. PATENT DOCUMENTS
D643,745 S * 8/2011 Hartley D9/707
D673,460 S * 1/2013 Lee D9/643

OTHER PUBLICATIONS

Zakaz. Pastificio Rana S.p.A. Lasagne Strips 250g. No date specified, <https://zakaz.ua/en/products/08001665123068/makaroni-dzhovanni-rana-250g> (Year: 0).*
(Continued)

Primary Examiner — Darcey E Gottschalk
(74) *Attorney, Agent, or Firm* — The Belles Group, P.C.

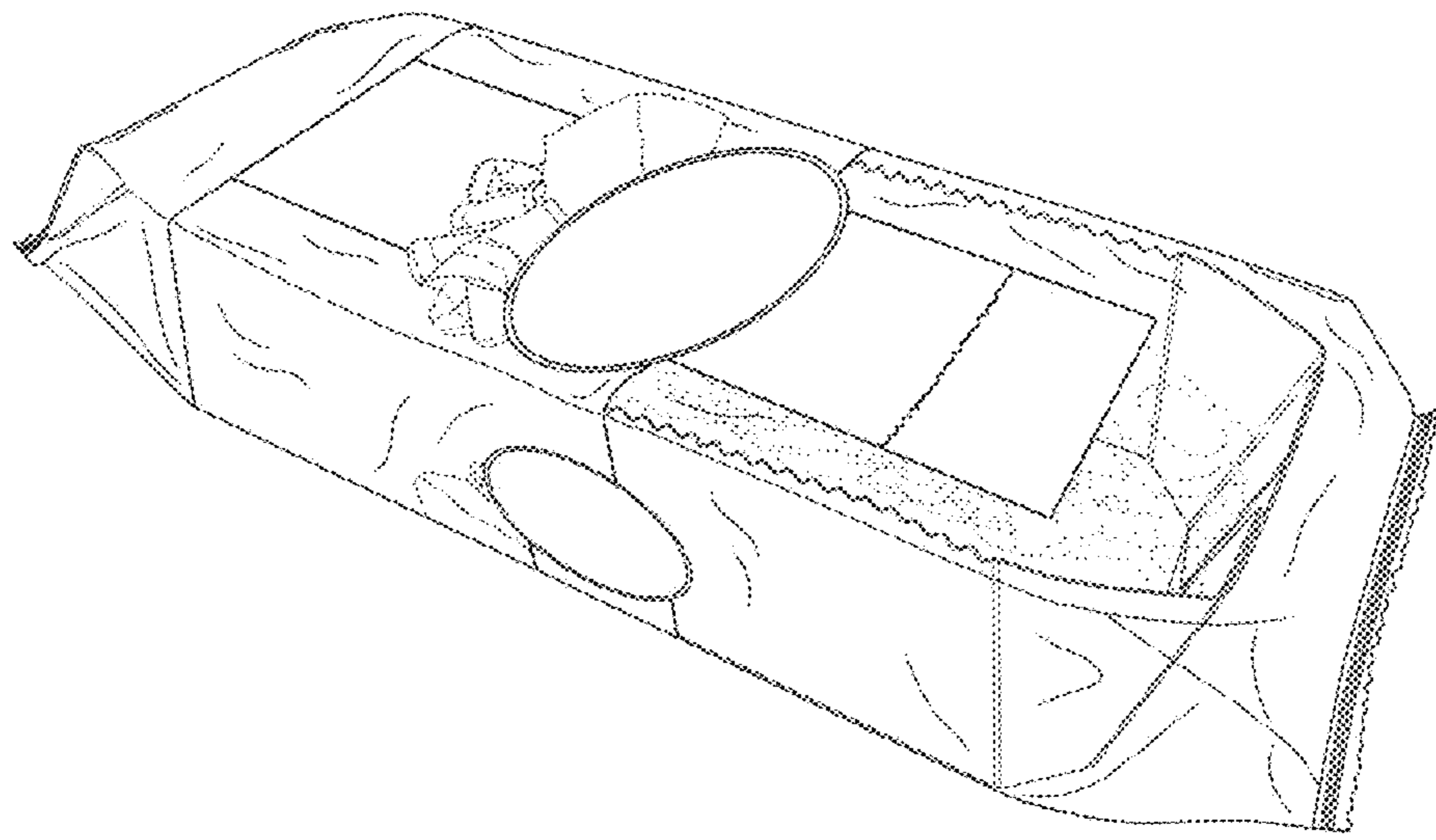
(57) **CLAIM**

The ornamental design for a packaging for foodstuffs, as shown and described.

DESCRIPTION

1. Packaging for foodstuffs
1.1 : Perspective
1.2 : Top plan elevation view
1.3 : Right side elevational view
1.4 : Left side elevational view
1.5 : Bottom plan view
1.6 : Front elevation view
1.7 : Back elevation view
The design is a packaging for foodstuffs; the broken lines shown are for the purpose of illustrating portions of the packaging for foodstuffs and forms no part of the claimed design; the contents of the packaging for foodstuffs that are visible through the transparent portions are shown by way of example only and do not form part of the design for which protection is sought; the contents of the packaging for foodstuffs may be varied.

1 Claim, 7 Drawing Sheets



(56)

References Cited

U.S. PATENT DOCUMENTS

D905,565 S * 12/2020 Sharpe D9/703

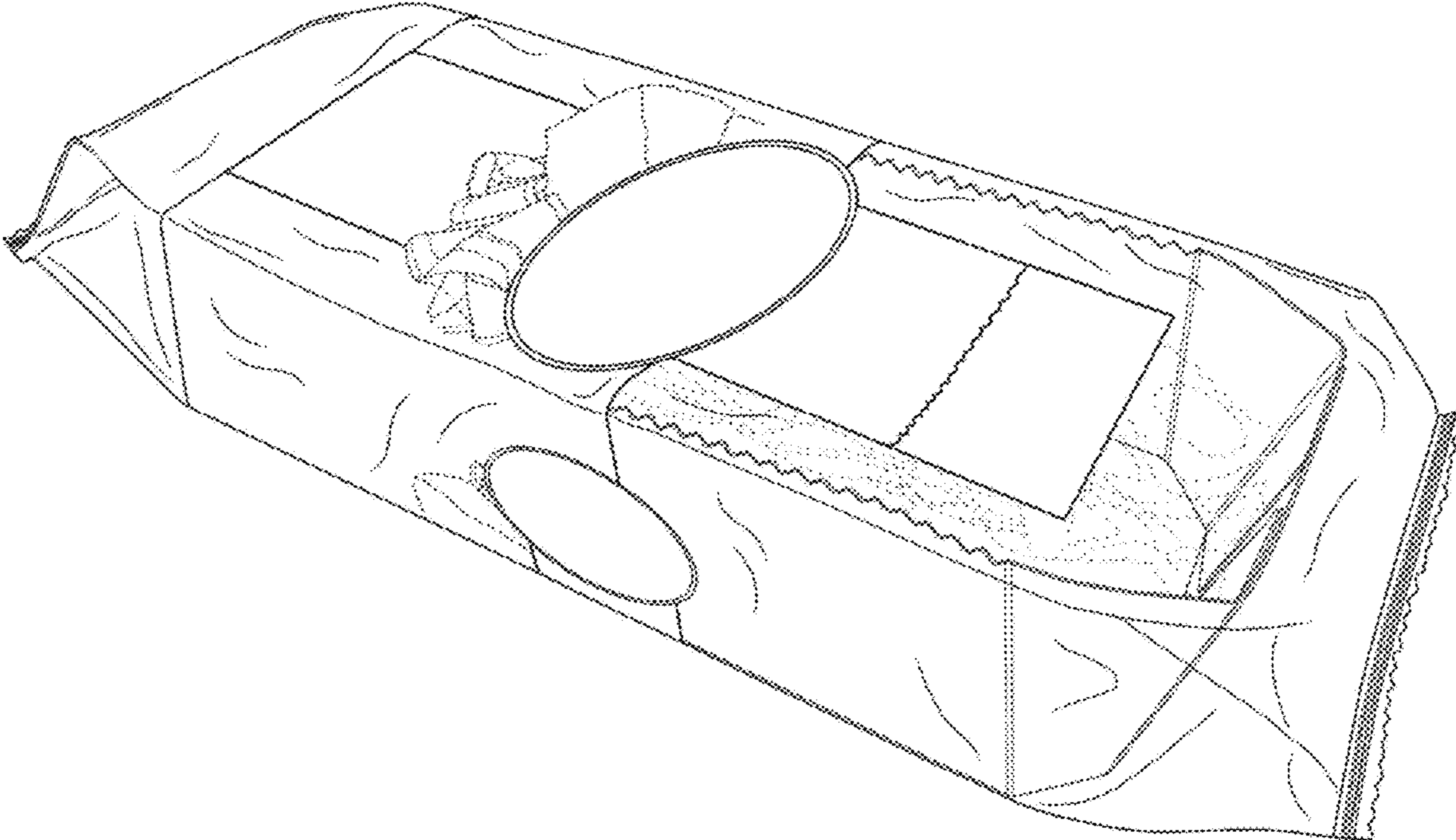
OTHER PUBLICATIONS

Supply Chain News. New Tortelloni From La Famiglia Rana Is Salmon Else. Sep. 9, 2019. <https://www.supplychainnews.ie/new-tortelloni-from-la-famiglia-rana-is-salmon-else/> (Year: 2019).*

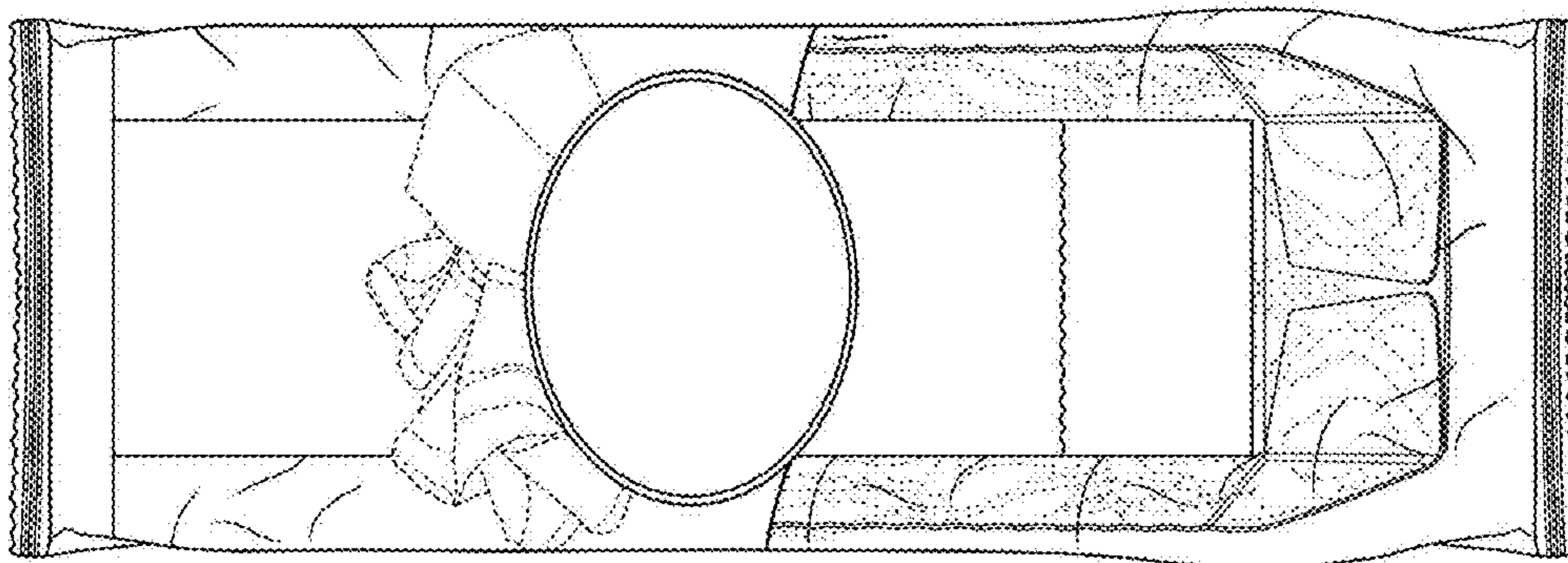
Fortune. Barilla Sued For Allegedly Under-Filling Pasta Boxes. Jul. 29, 2016. <https://fortune.com/2016/07/29/barilla-pasta-packaging-lawsuit/> (Year: 2016).*

Outnumbered 3-1. Fresh Pasta & Sauces from Giovanni Rana! + Giveaway! May 29, 2014. <https://outnumbered3-1.com/2014/05/fresh-pasta-sauces-from-giovanni-rana> (Year: 2014).*

* cited by examiner

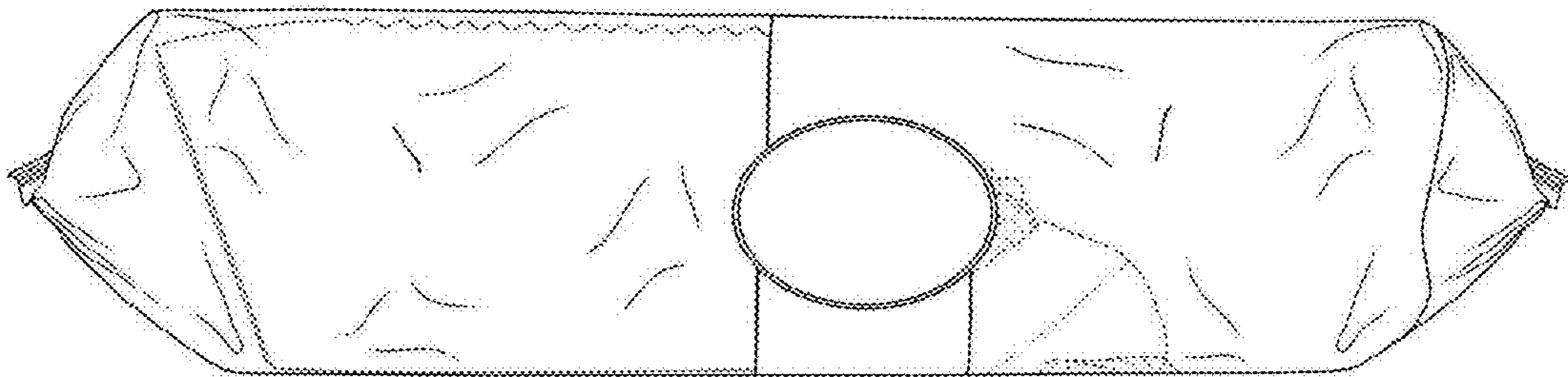


1.1

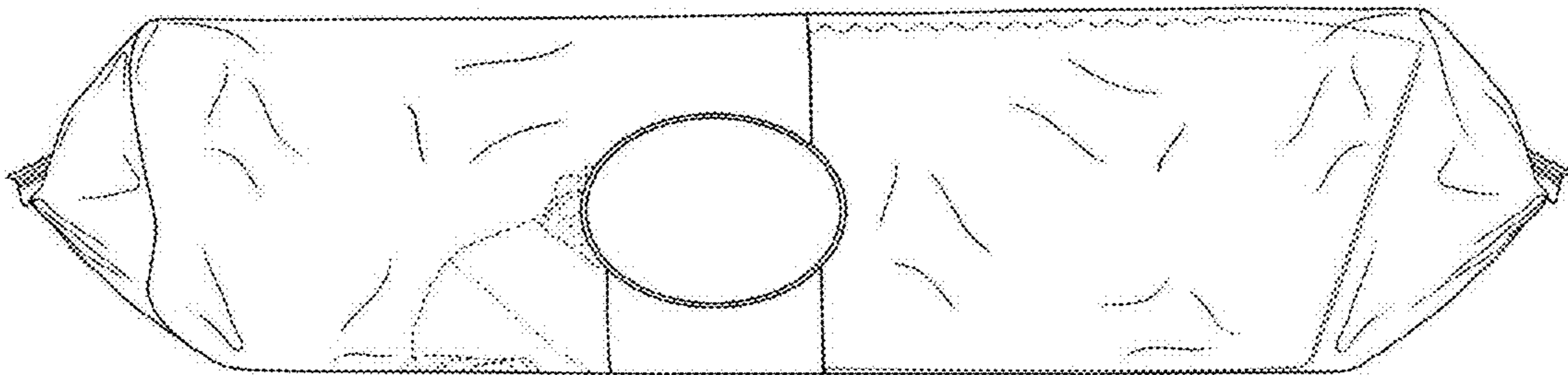


1.2

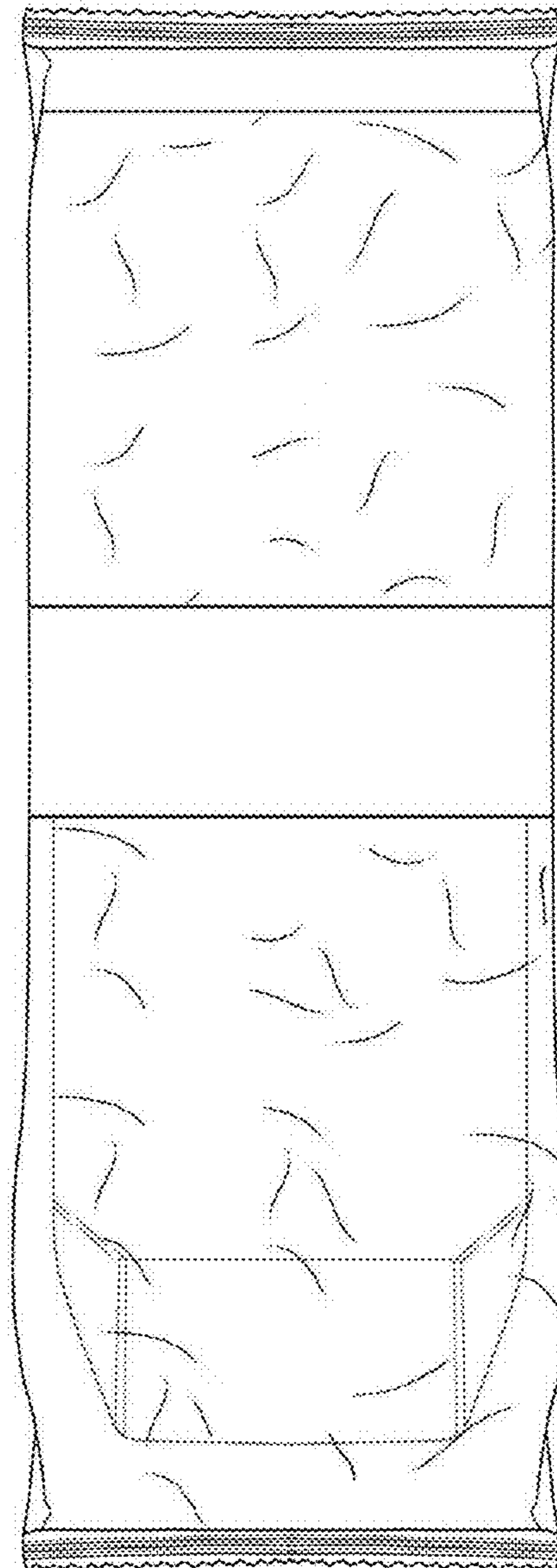
1.3



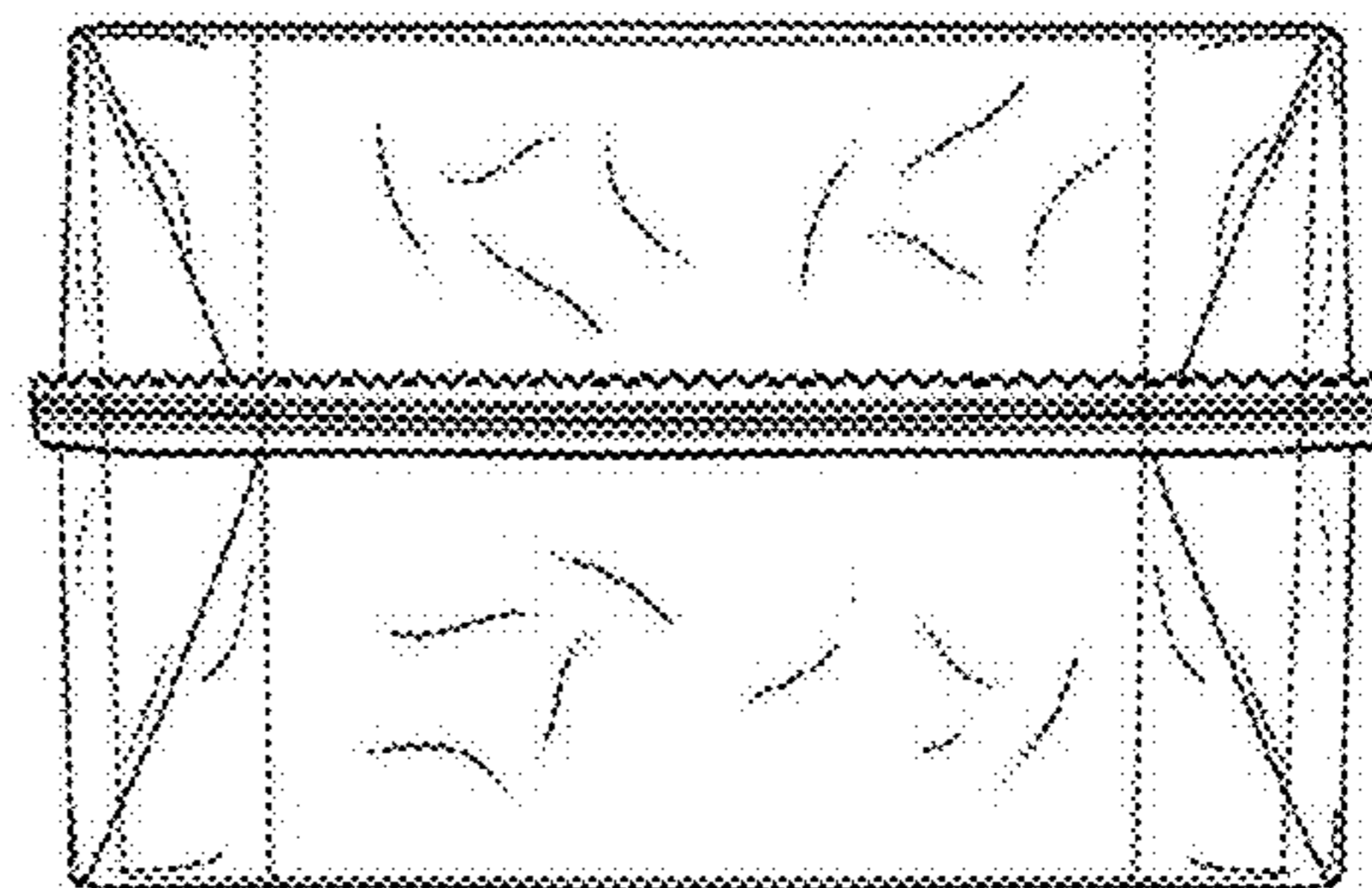
1.4



1.5



1.6



1.7

