



US00D926589S

(12) **United States Design Patent**
Chang

(10) **Patent No.:** **US D926,589 S**

(45) **Date of Patent:** **** Aug. 3, 2021**

(54) **INFLATABLE BAG**

(71) Applicant: **Jui-Chun Chang**, New Taipei (TW)

(72) Inventor: **Jui-Chun Chang**, New Taipei (TW)

(**) Term: **15 Years**

(21) Appl. No.: **29/716,803**

(22) Filed: **Dec. 12, 2019**

(51) **LOC (13) Cl.** **09-05**

(52) **U.S. Cl.**
USPC **D9/703**

(58) **Field of Classification Search**

USPC D9/702-714, 430-433, 440, 446-450,
D9/452, 453, 454, 457, 499; D7/387,
D7/388, 396.2, 396.4, 396.6, 398, 403,
D7/509, 510; D3/202, 203.2, 247, 294,
D3/304, 318; D28/343, 346, 352, 382,
D28/397, 399

CPC .. A61J 1/00; A61J 1/1412; B65D 1/00; B65D
1/02; B65D 1/1046; B65D 2585/56;
B65D 41/00; B65D 41/56; B65D 41/62;
B65D 47/06; B65D 47/08; B65D
2543/00046; B65D 2543/00092; B65D
2543/00296

See application file for complete search history.

(56) **References Cited**

U.S. PATENT DOCUMENTS

D599,118 S * 9/2009 Perkins D5/53
D630,945 S * 1/2011 Wehrmann D9/456

D640,557 S * 6/2011 Wehrmann D9/456
D646,972 S * 10/2011 Wehrmann D9/456
D775,956 S * 1/2017 Ye D9/456
D835,432 S * 12/2018 McGregor D6/604

* cited by examiner

Primary Examiner — Abraham Bahta

(74) *Attorney, Agent, or Firm* — Burriss Law, PLLC

(57) **CLAIM**

The ornamental design for an inflatable bag, as shown and described.

DESCRIPTION

FIG. 1 is a front elevational view of an inflatable bag showing my new design;

FIG. 2 is an enlarged fragmentary front elevational view illustrating a portion of the inflatable bag in the oval region in FIG. 1;

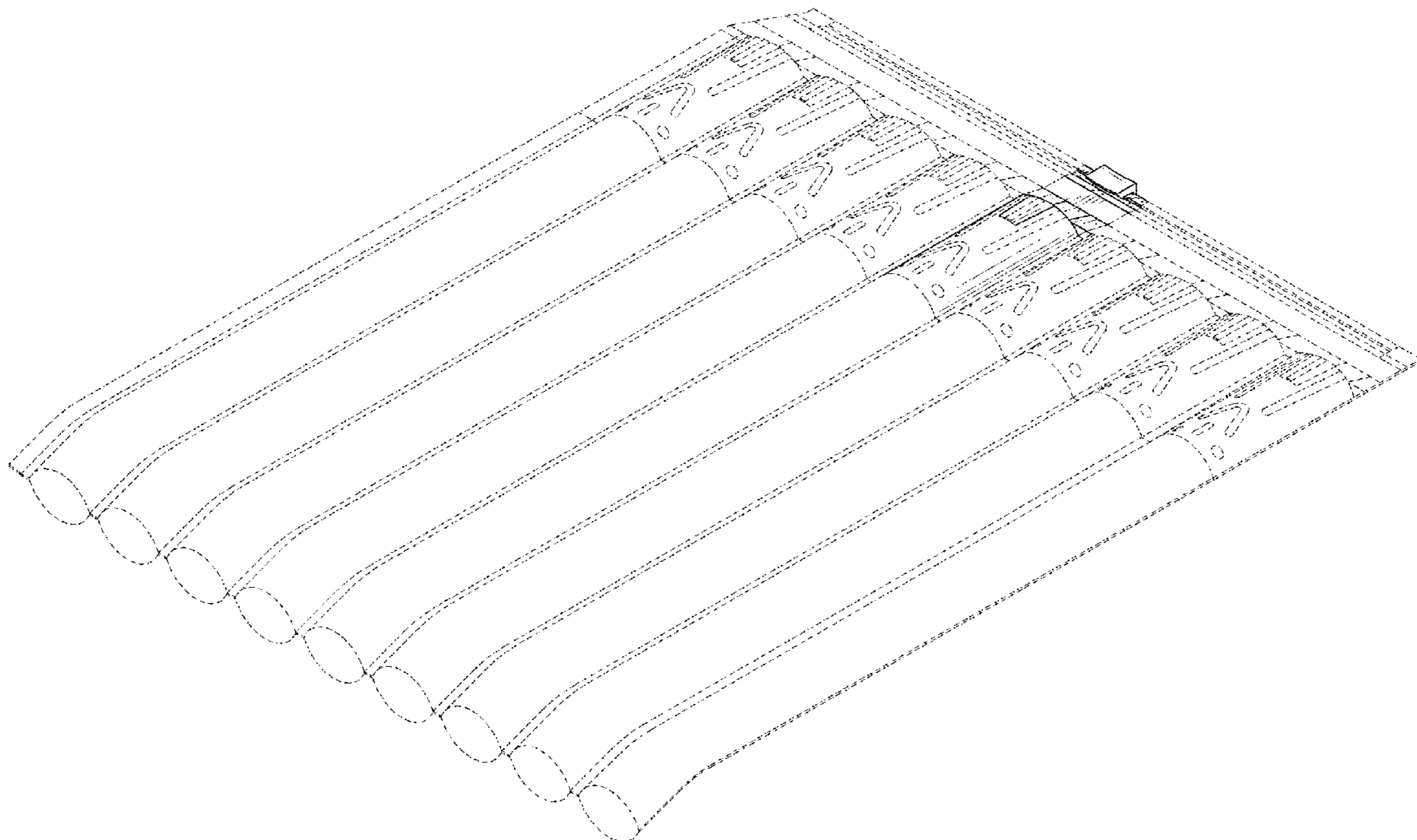
FIG. 3 is a front perspective view thereof;

FIG. 4 is a fragmentary front perspective view thereof taken from another angle; and,

FIG. 5 is a fragmentary rear perspective view thereof.

The evenly dashed broken lines depict portions of an inflatable bag in which the design is embodied that form no part of the claimed design. The dot-dashed broken lines are for defining the bounds of the claimed design only and form no part of the claimed design.

1 Claim, 5 Drawing Sheets



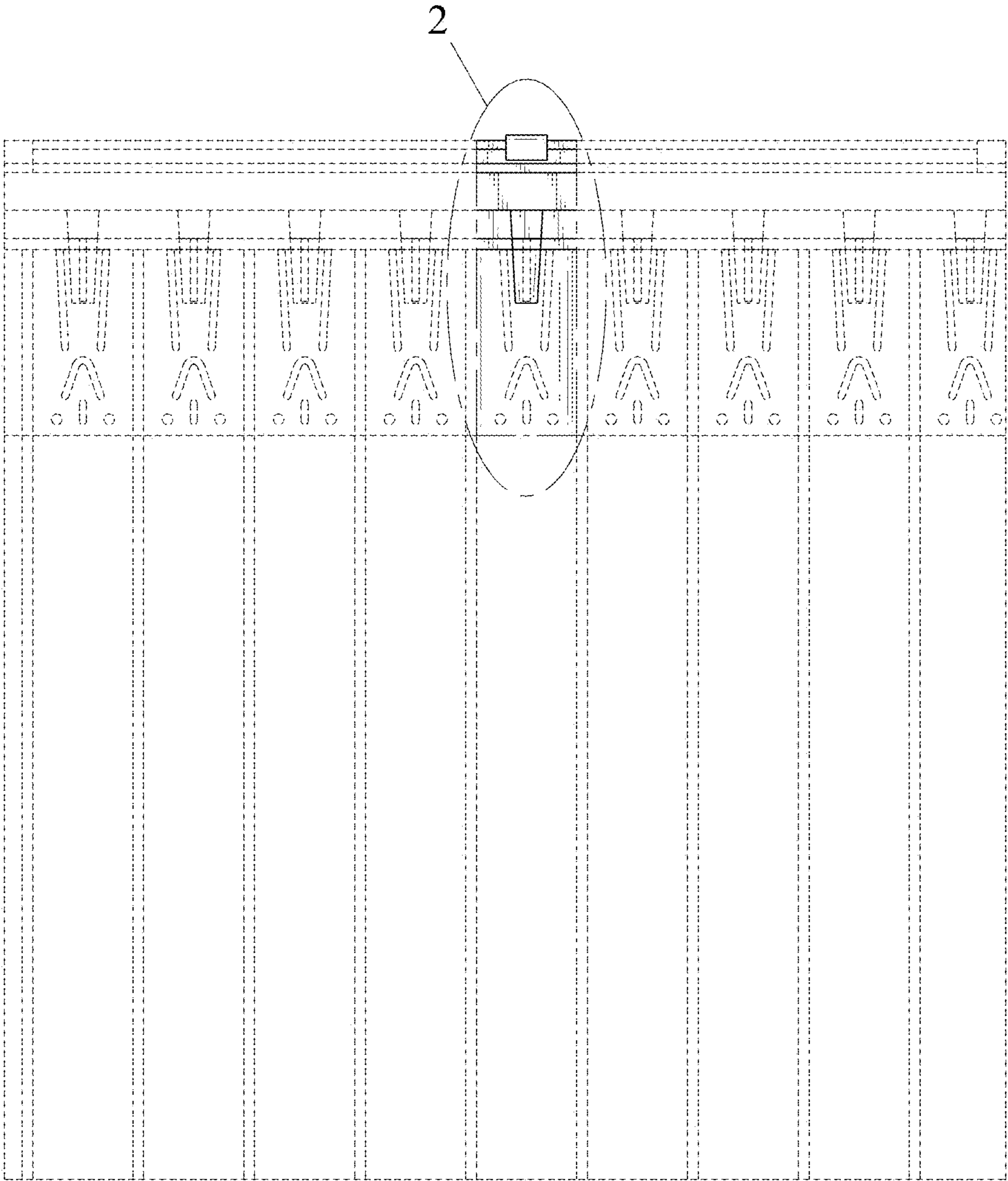


FIG. 1

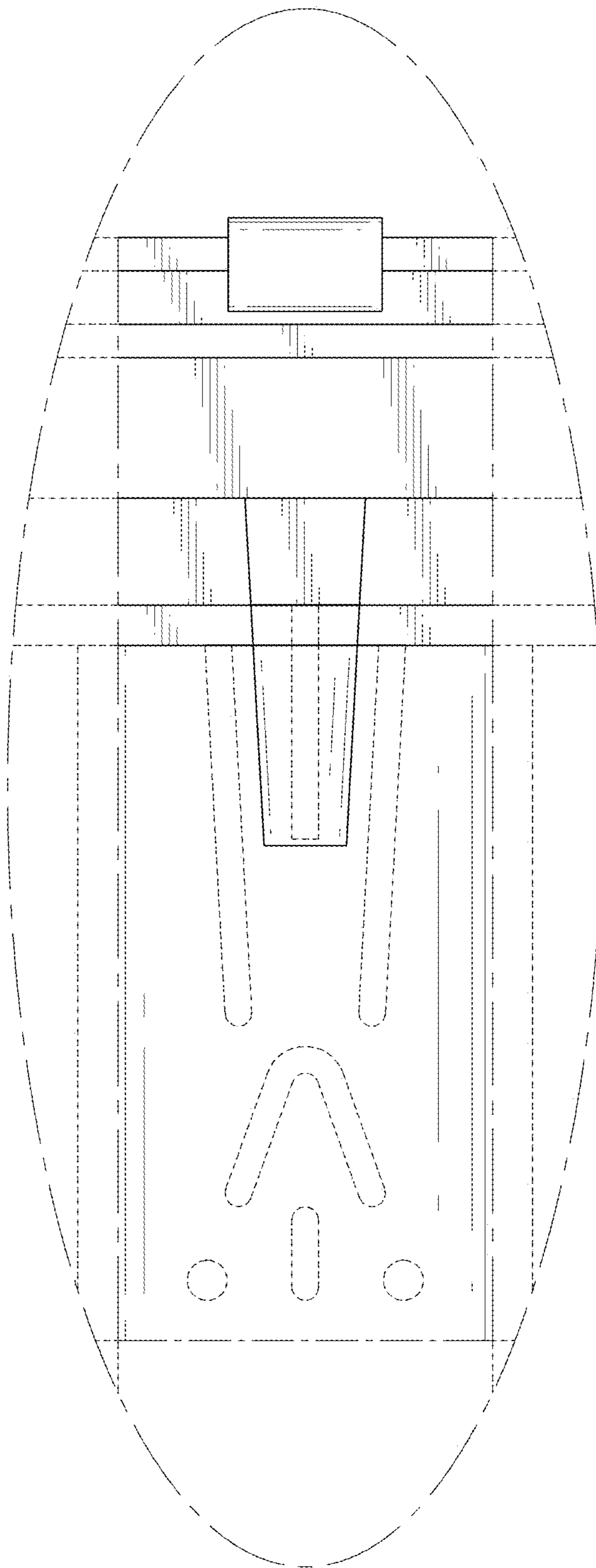


FIG.2

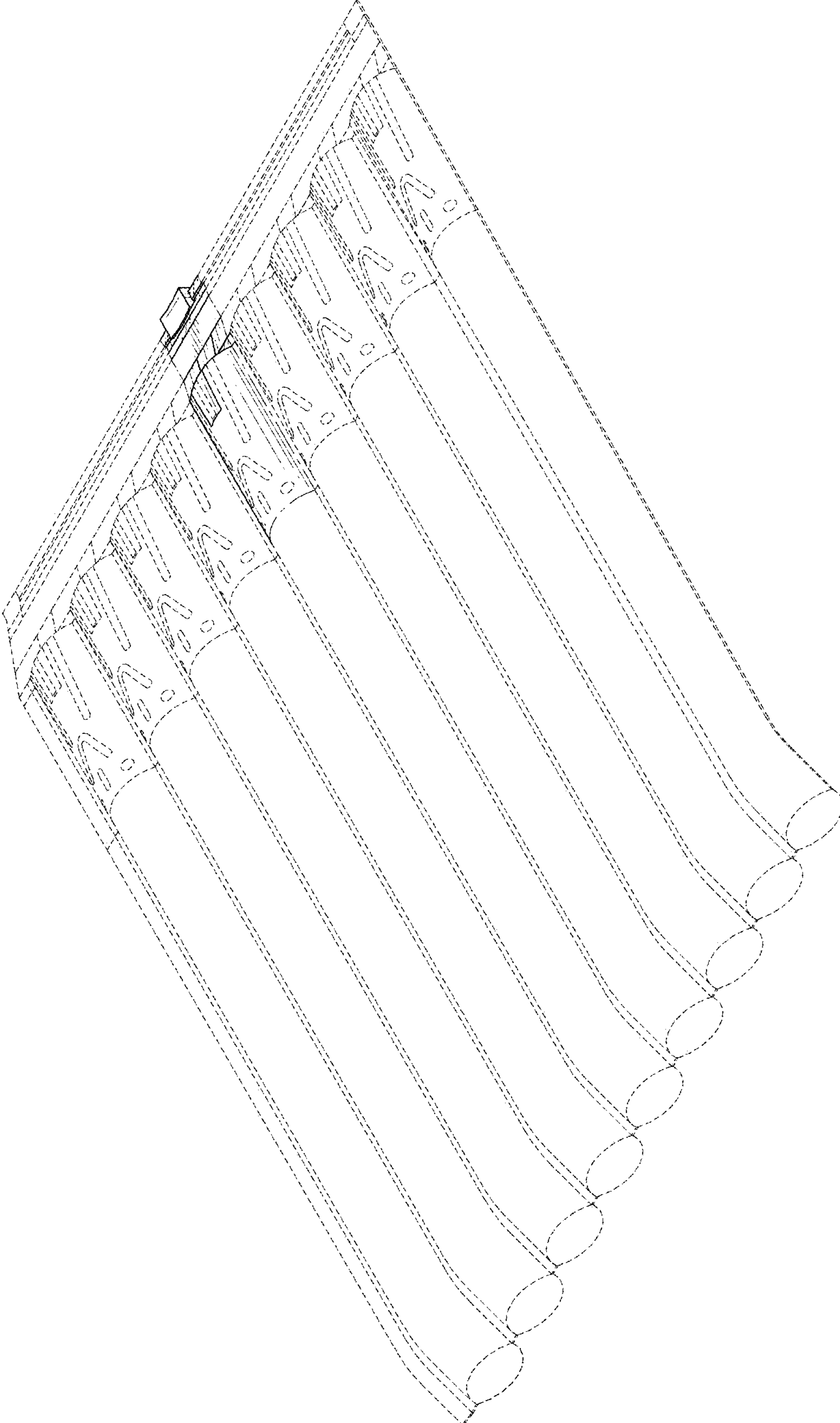


FIG.3

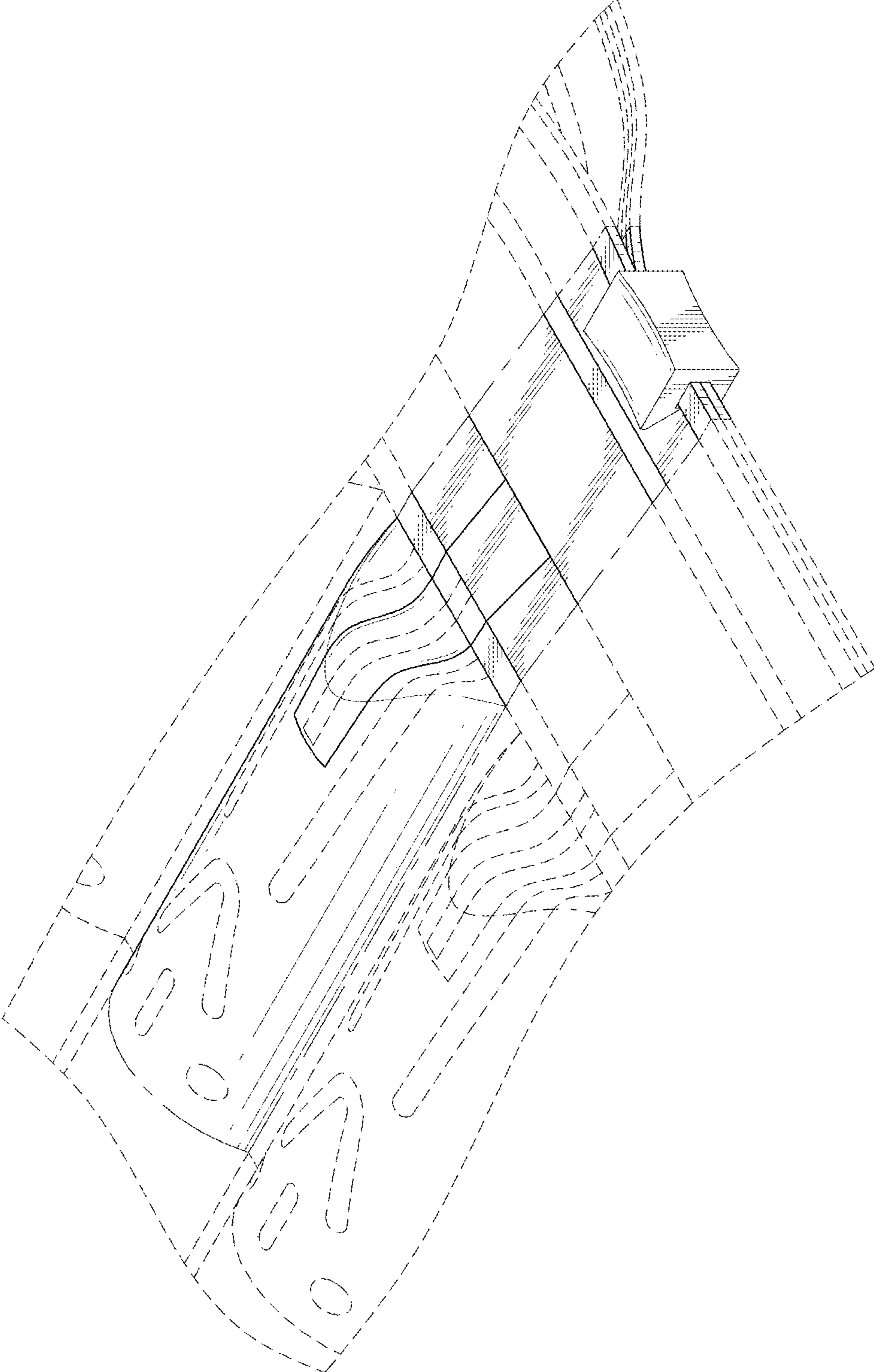


FIG.4

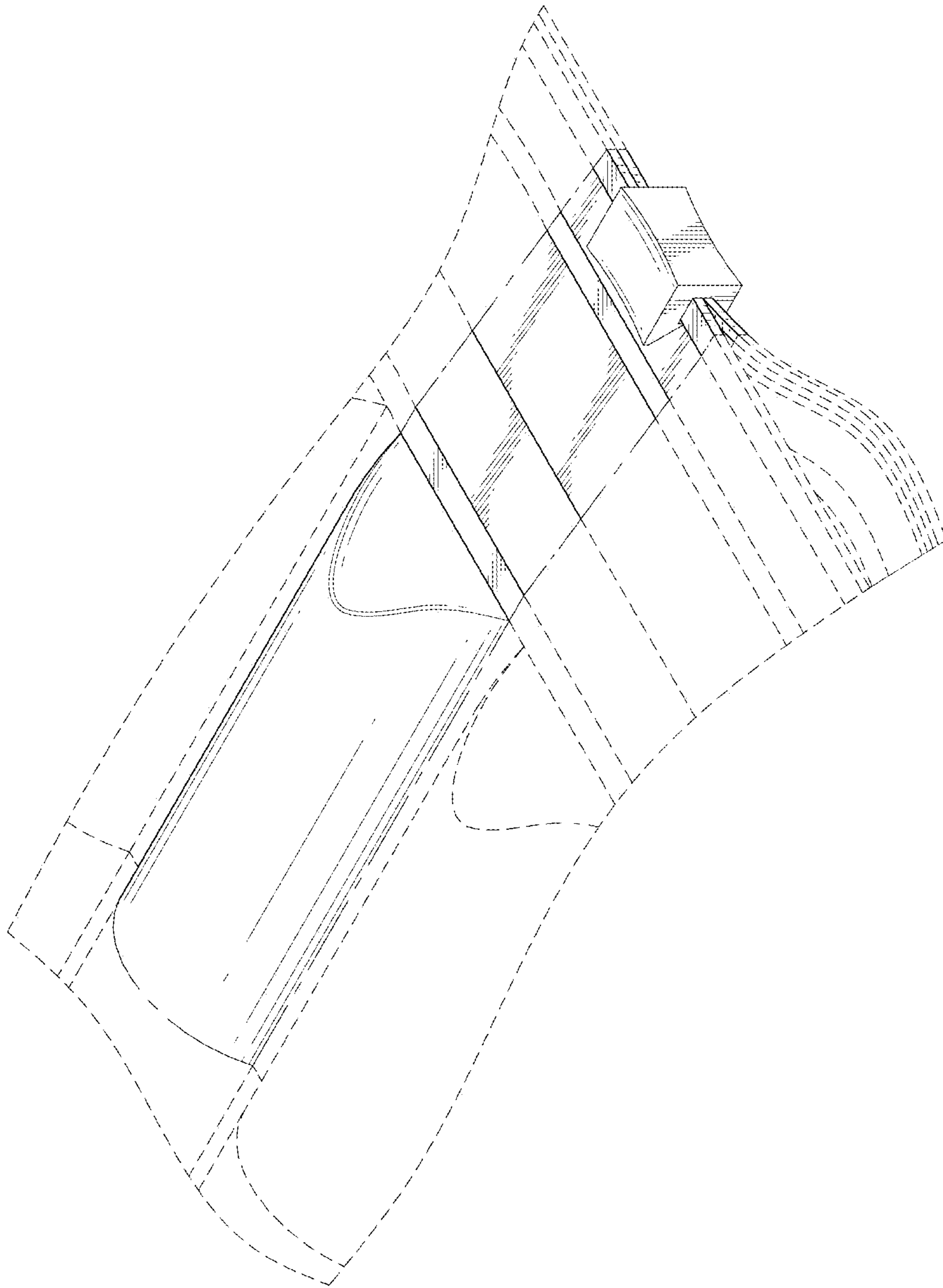


FIG. 5