



US00D926587S

(12) **United States Design Patent**
Boczkowski et al.

(10) **Patent No.:** **US D926,587 S**

(45) **Date of Patent:** **** Aug. 3, 2021**

(54) **TEA OR COFFEE BAG FOR BOTTLE OR TUMBLER**

D738,224 S *	9/2015	Hogendoorn	D9/710
D756,801 S *	5/2016	Fenech, III	D9/707
D768,355 S *	10/2016	Schwartz	D1/199
D778,025 S *	2/2017	Kim	D1/108
D832,112 S *	10/2018	Kim	D9/702

(71) Applicants: **Alain Boczkowski**, West Chester, PA (US); **Chun-Chen Wang**, West Chester, PA (US)

* cited by examiner

(72) Inventors: **Alain Boczkowski**, West Chester, PA (US); **Chun-Chen Wang**, West Chester, PA (US)

Primary Examiner — Abraham Bahta

(**) Term: **15 Years**

(57) **CLAIM**

(21) Appl. No.: **29/684,559**

The ornamental design for a tea or coffee bag for bottle or tumbler, as shown and described.

(22) Filed: **Mar. 22, 2019**

(51) **LOC (13) Cl.** **09-05**

(52) **U.S. Cl.**
USPC **D9/702**

DESCRIPTION

(58) **Field of Classification Search**
USPC D1/100–139, 199; 426/77–81, 83, 394, 426/106; D9/702–714; D7/396.2, 400; 99/279, 316; D23/366–368; D20/31; D32/59; D21/698; D24/118–119
CPC B65D 85/8043; B65D 85/808; B65D 85/8046; B65D 85/812; B65D 29/00; B65D 29/02; B65D 31/00; B65D 33/00; A47G 19/16; B65B 1/00
See application file for complete search history.

FIG. 1 is a right front perspective view of the unfilled tea or coffee bag for bottle or tumbler showing our new design; FIG. 2 is a left rear perspective view thereof; FIG. 3 is a right-side view of the half-filled bag with tea or coffee when wet, the left side view being a mirror image thereof; FIG. 4 is another perspective view of the half-filled bag with tea or coffee when wet; and, FIG. 5 is another perspective view of the half-filled bag with tea or coffee when wet. The broken line showing of the bottle and tumbler is included for the purpose of illustrating environmental structure and forms no part of the claimed design.

(56) **References Cited**

U.S. PATENT DOCUMENTS

D619,478 S *	7/2010	Drewnowski	D9/707
D699,917 S *	2/2014	Shaw	D1/199

1 Claim, 5 Drawing Sheets

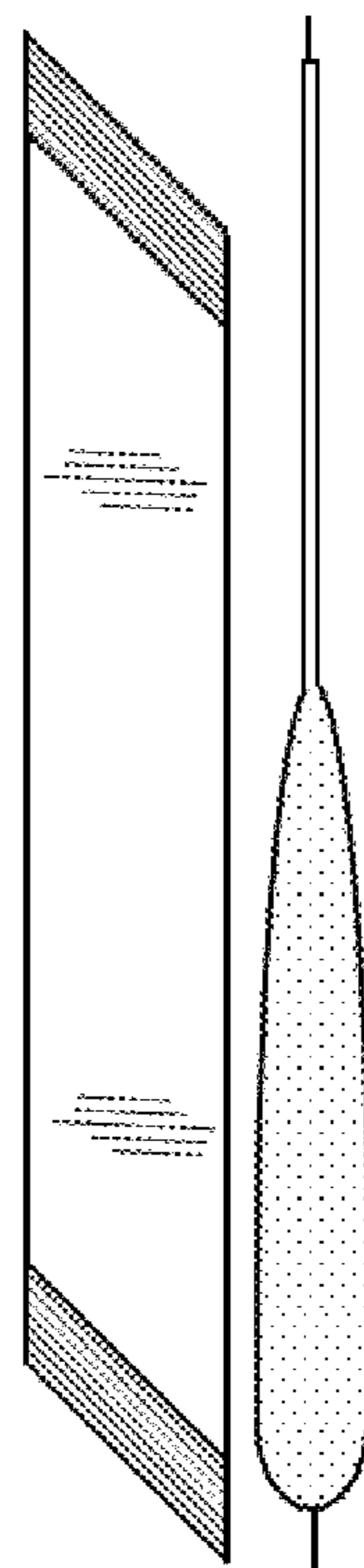




FIG. 1

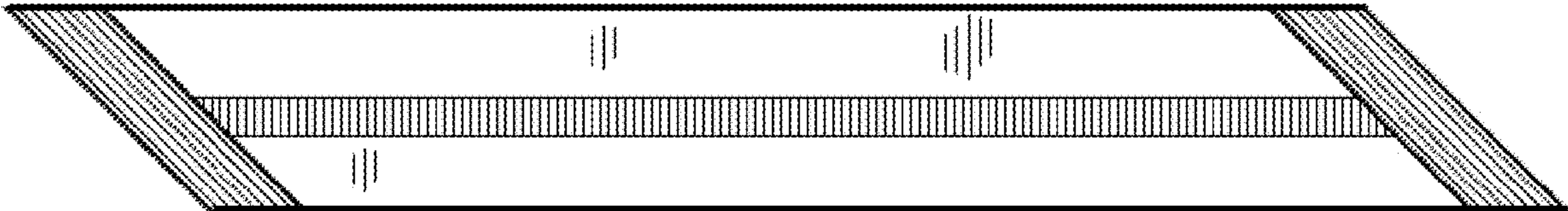


FIG. 2

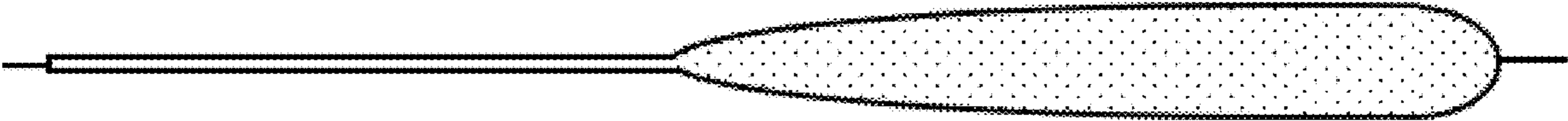


FIG. 3

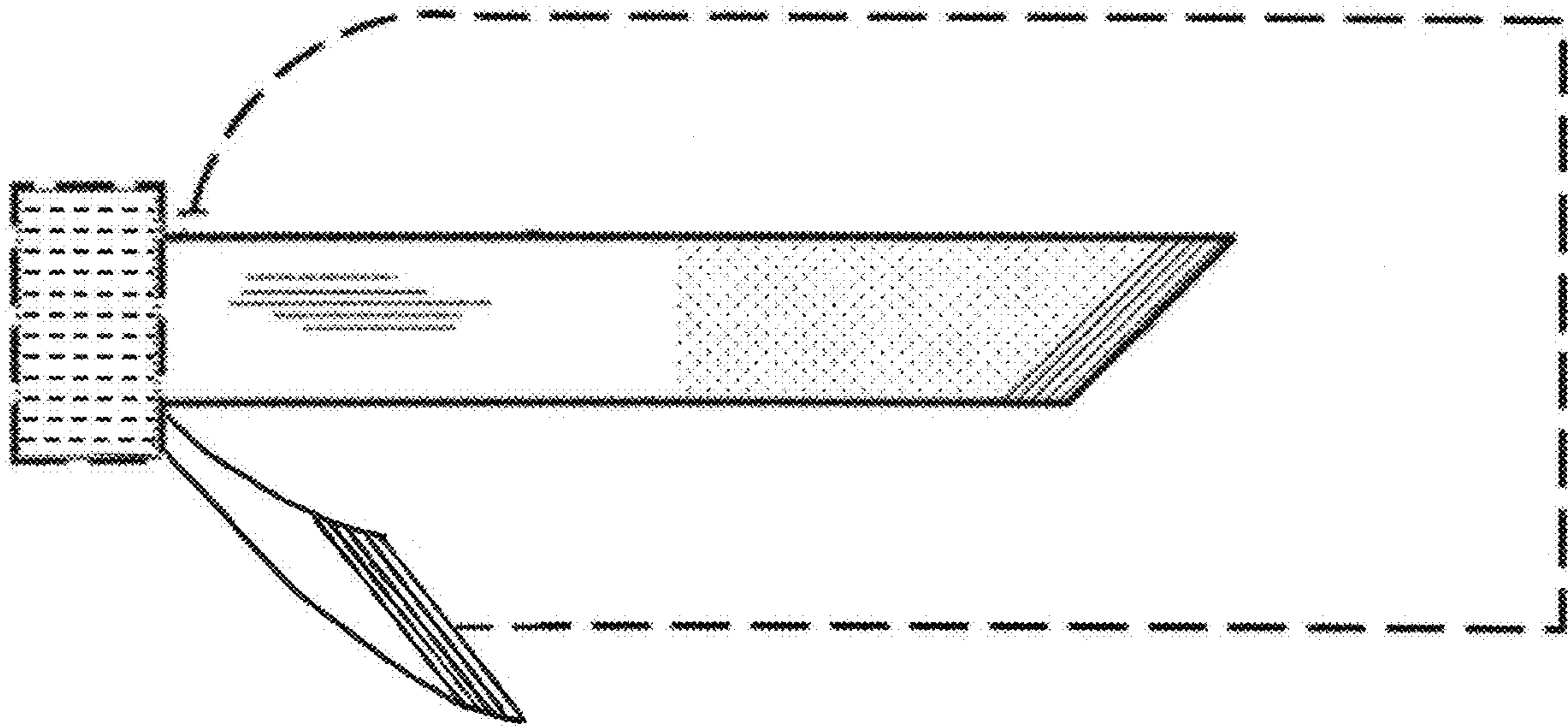


FIG. 4

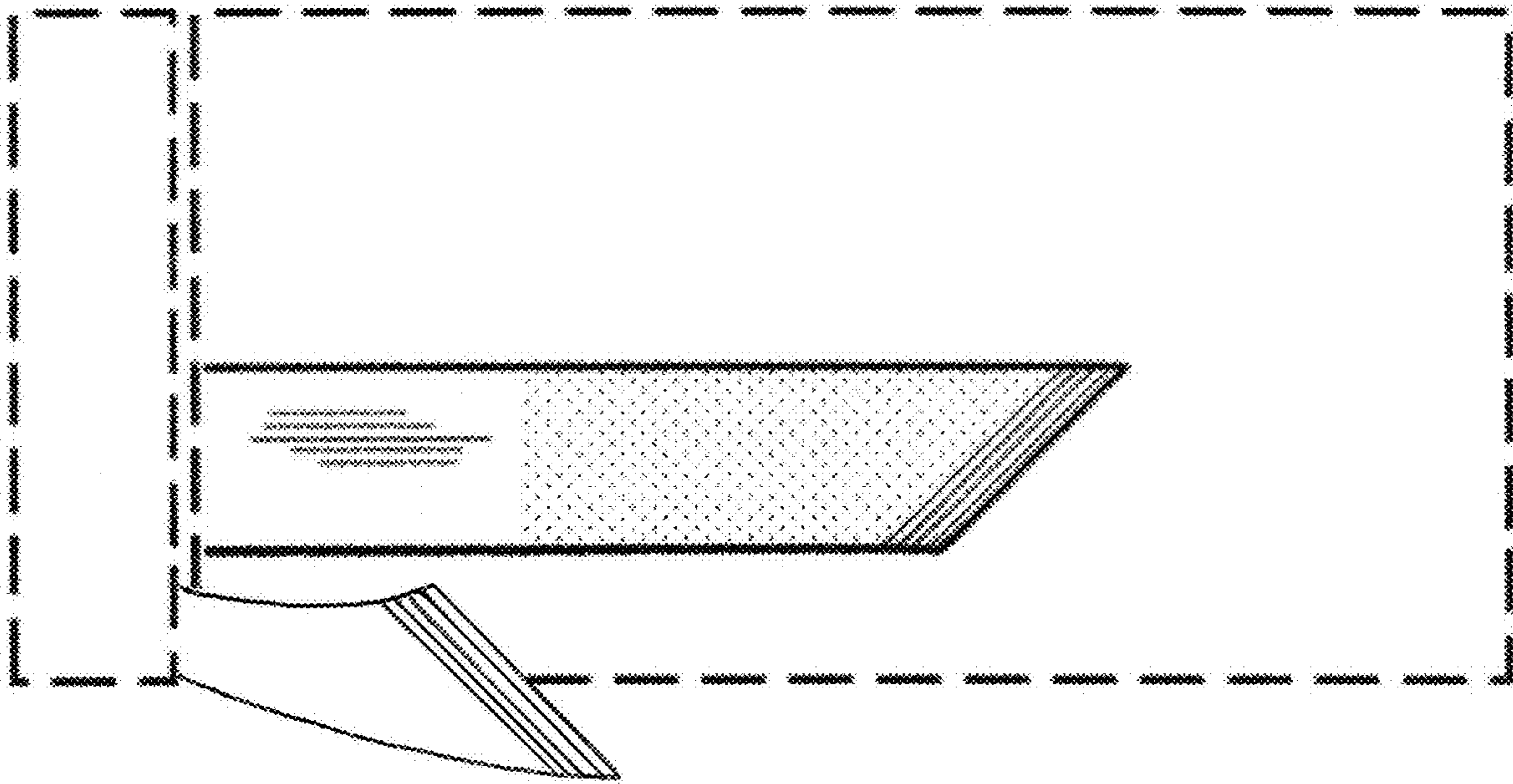


FIG. 5