



US00D926584S

(12) **United States Design Patent**
Kapron

(10) **Patent No.:** **US D926,584 S**

(45) **Date of Patent:** **** Aug. 3, 2021**

(54) **BOTTLE**

(71) Applicant: **Solutions Design Pawel Kapron, Lazy (PL)**

(72) Inventor: **Pawel Kapron, Lazy (PL)**

(73) Assignee: **SOLUTIONS DESIGN PAWEL KAPRON, Lazy (PL)**

(**) Term: **15 Years**

(21) Appl. No.: **35/507,990**

(22) Filed: **Sep. 2, 2019**

(80) **Hague Agreement Data**

Int. Filing Date: **Sep. 2, 2019**

Int. Reg. No.: **DM/204372**

Int. Reg. Date: **Sep. 2, 2019**

Int. Reg. Pub. Date: **Dec. 6, 2019**

(51) **LOC (13) Cl.** **09-01**

(52) **U.S. Cl.**
USPC **D9/560; D9/575**

(58) **Field of Classification Search**
USPC D9/502, 504, 506, 519, 520, 522, 523,
D9/526, 529, 530, 549, 553, 556, 558,
D9/559, 560, 563, 564, 569, 571, 574,
D9/682, 686, 687, 689, 719
CPC B65D 1/00; B65D 1/02; B65D 1/0223;
B65D 1/0261; B65D 1/40; B65D 1/42;
B65D 1/44; B65D 23/00; B65D 23/102;
B65D 81/00; B65D 2501/00; B65D
2501/0009; B65D 2501/0018; B65D
2501/0036

See application file for complete search history.

(56) **References Cited**

U.S. PATENT DOCUMENTS

D266,741 S * 11/1982 Cox D9/560
D322,213 S * 12/1991 Maginnis, Jr. D9/602

D426,161 S * 6/2000 Hestehave D9/520
D447,411 S * 9/2001 Lichtman D9/434
6,457,602 B2 * 10/2002 Uchiyama B65D 1/0223
215/382
D472,474 S * 4/2003 Headen D9/551
D482,978 S * 12/2003 Nelson D9/560
D503,620 S * 4/2005 Taylor D9/518
D567,094 S * 4/2008 Bickert D9/529

(Continued)

Primary Examiner — Bao-Yen T Nguyen

(74) *Attorney, Agent, or Firm* — Myers Wolin, LLC

(57) **CLAIM**

The ornamental design for bottle, as shown and described.

DESCRIPTION

3.1-4.6 Bottle

The upper part of the bottle consists of a neck with a cap; the body of the bottle contains protrusions and recesses; the shape of the protrusions and recesses is in the form of a circle or a polygon similar to a circle.

3.1 depicts a top perspective view of the bottle according to a first embodiment.

3.2 depicts a bottom perspective view of the bottle of **3.1**.

3.3 depicts a top view of the bottle of **3.1**.

3.4 depicts a bottom view of the bottle of **3.1**.

3.5 depicts a front view of the bottle of **3.1**. The rear view of the bottle is a mirror image of the front view.

3.6 depicts a left side view of the bottle of **3.1**. The right side view of the bottle is a mirror image of the left side view.

4.1 depicts a top perspective view of the bottle according to a second embodiment.

4.2 depicts a bottom perspective view of the bottle of **4.1**.

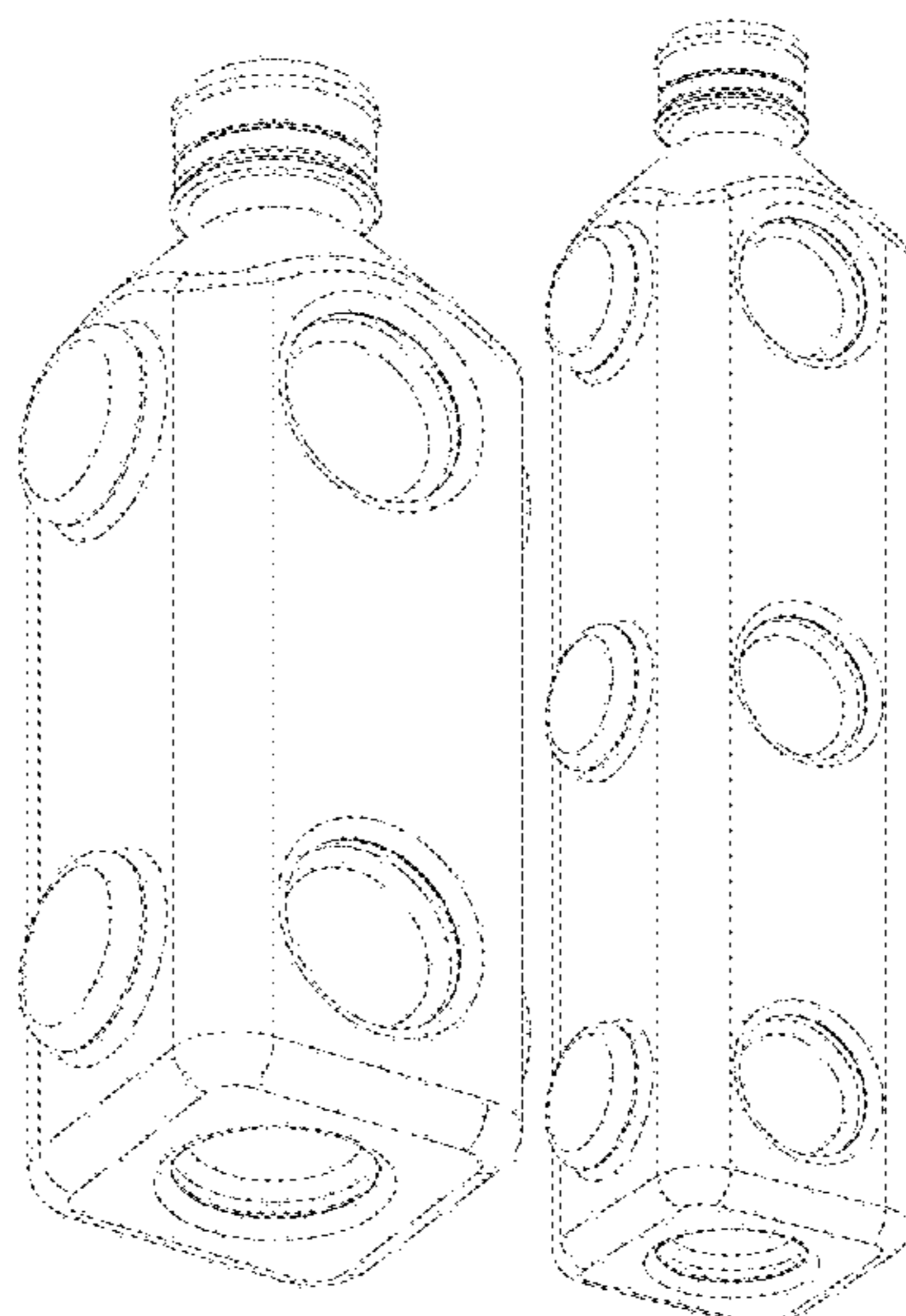
4.3 depicts a top view of the bottle of **4.1**.

4.4 depicts a bottom view of the bottle of **4.1**.

4.5 depicts a front view of the bottle of **4.1**. The rear view of the bottle is a mirror image of the front view.

4.6 depicts a left side view of the bottle of **4.1**. The right side view of the bottle is a mirror image of the left side view.

1 Claim, 12 Drawing Sheets



(56)

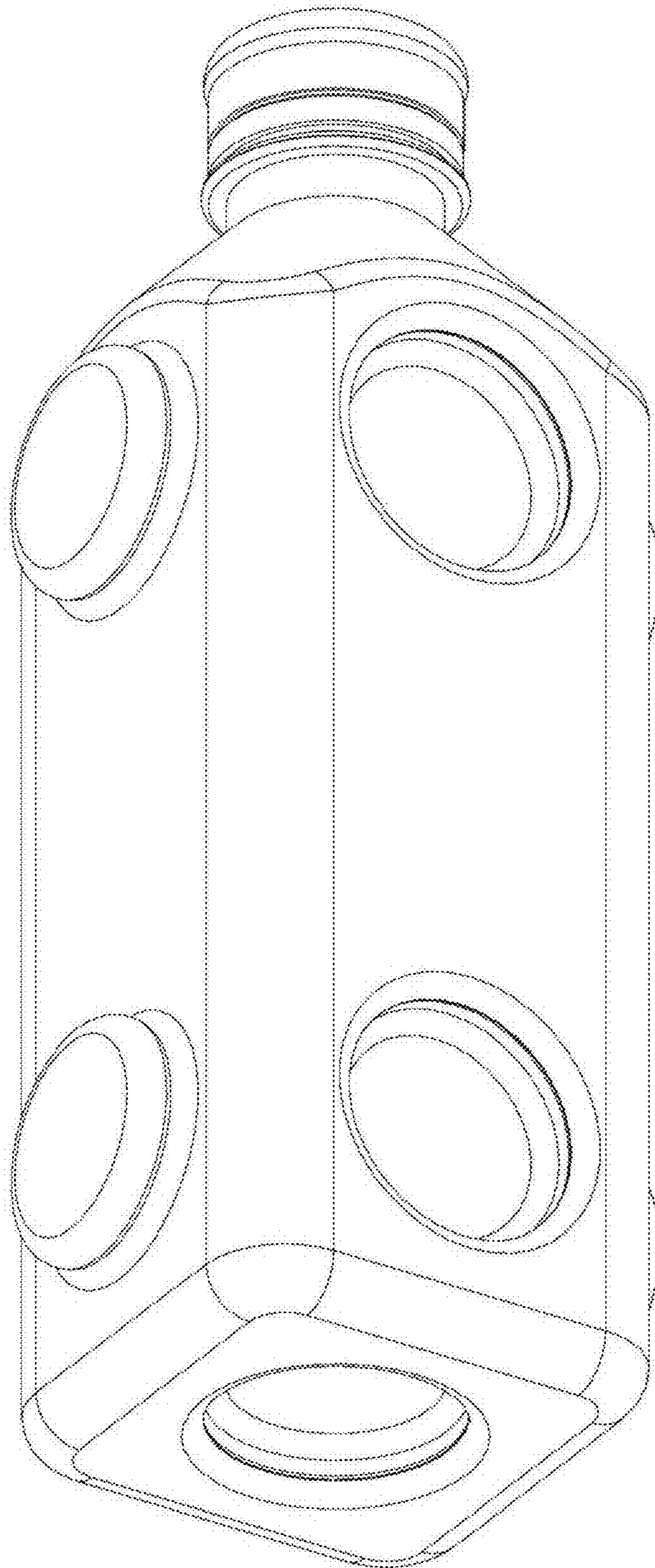
References Cited

U.S. PATENT DOCUMENTS

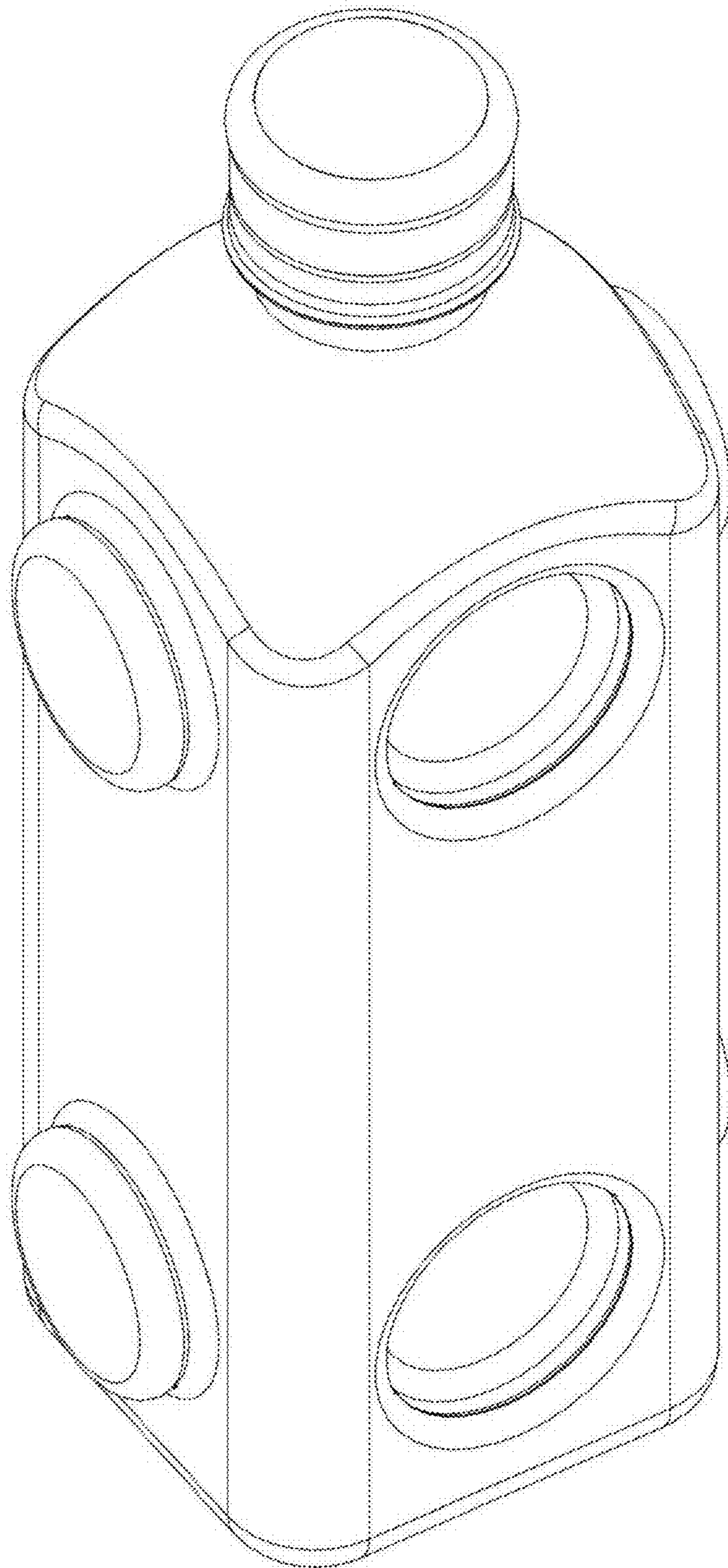
D567,662	S *	4/2008	Feen	D9/542
D610,017	S *	2/2010	Howell	D9/538
D615,816	S *	5/2010	Joy	D7/507
D629,259	S *	12/2010	Joy	D7/624.2
D637,496	S *	5/2011	Caldwell	D9/539
7,975,883	B2 *	7/2011	Laib	B65D 47/0895 222/484
D656,405	S *	3/2012	Byron	D9/560
D666,918	S *	9/2012	Finlay	D9/560
D675,101	S *	1/2013	Wilson	D9/559
8,640,900	B2 *	2/2014	Heisner	B65D 1/0246 215/384
D761,623	S *	7/2016	Leimone	D7/507
D779,335	S *	2/2017	Chia	D9/560
D815,952	S *	4/2018	Chung	D9/560
D817,766	S *	5/2018	Herbst	D9/516
10,005,608	B1 *	6/2018	Jacob	A47J 41/0038
D838,182	S *	1/2019	Landis	D9/560
D893,305	S *	8/2020	Cartis	D9/560
D893,306	S *	8/2020	Cartis	D9/560
D893,307	S *	8/2020	Cartis	D9/560
2015/0001172	A1 *	1/2015	Geithmann	B65D 1/0223 215/42

* cited by examiner

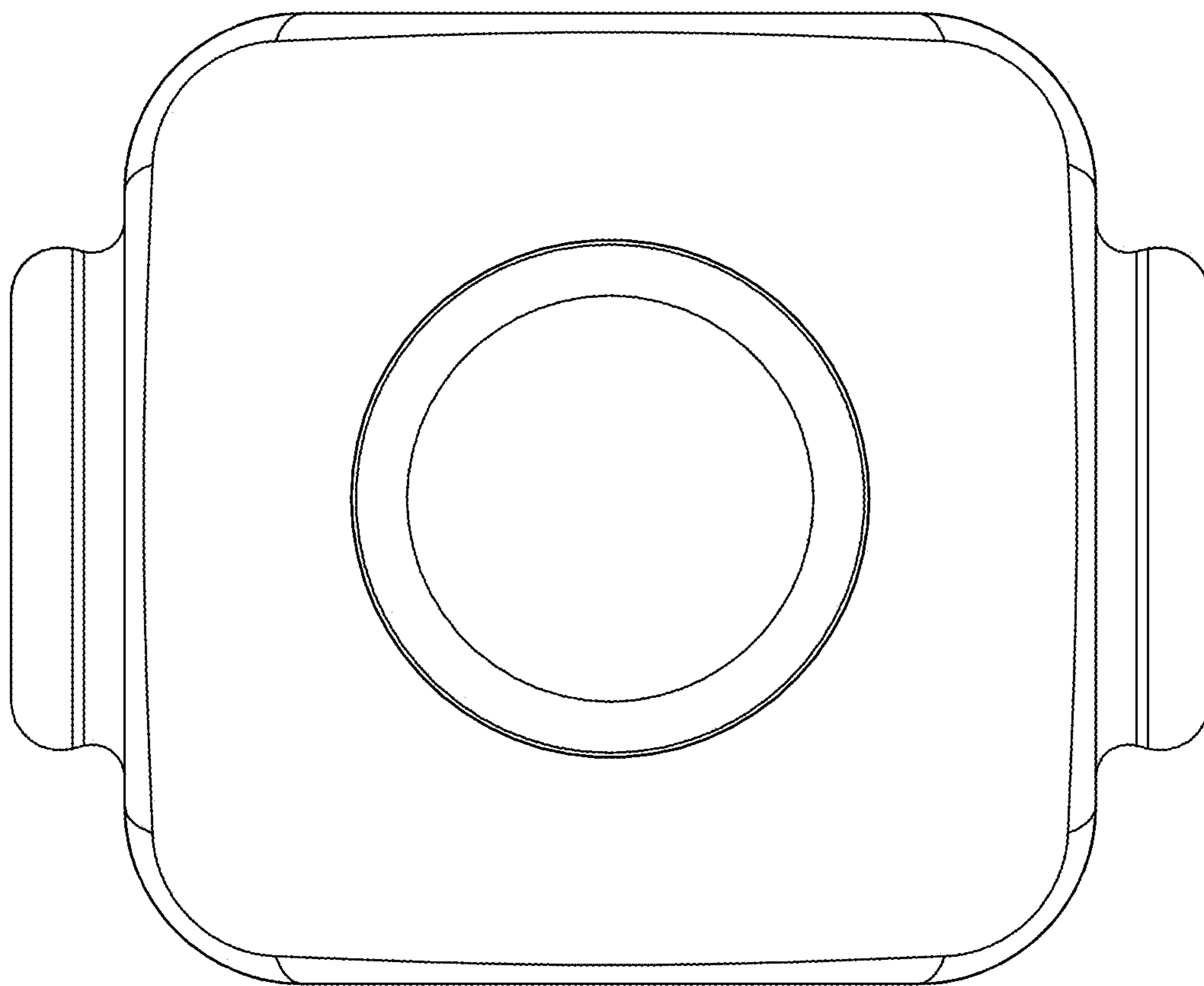
3.1



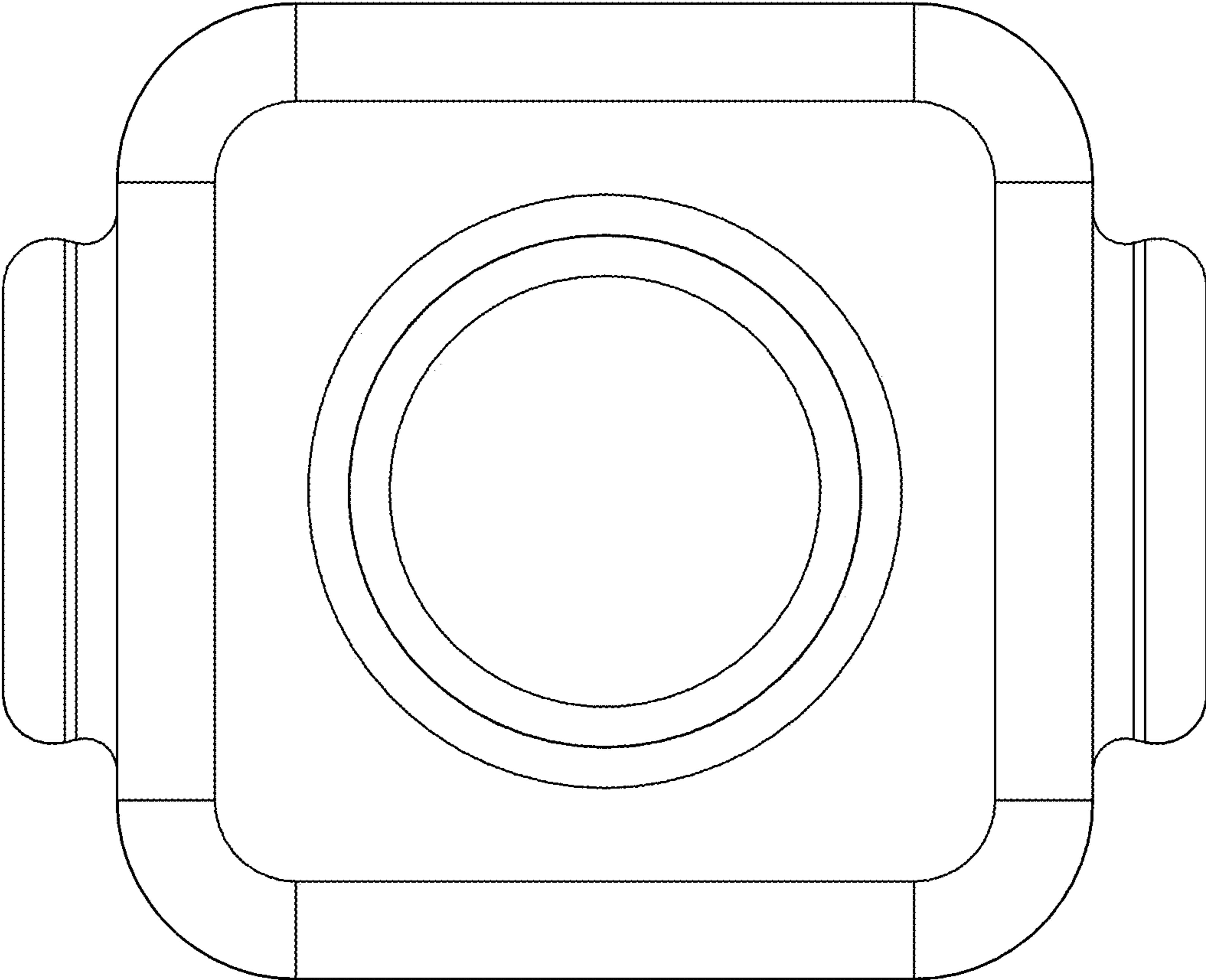
3.2



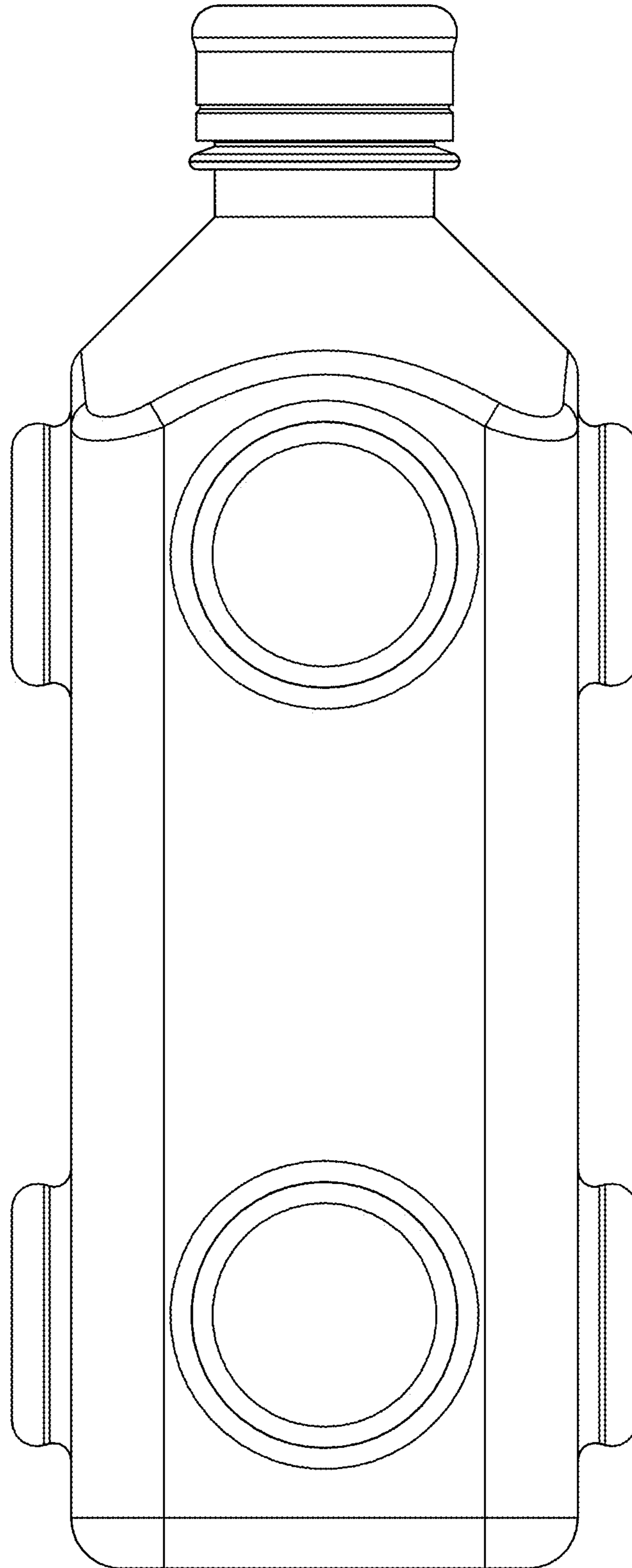
3.3



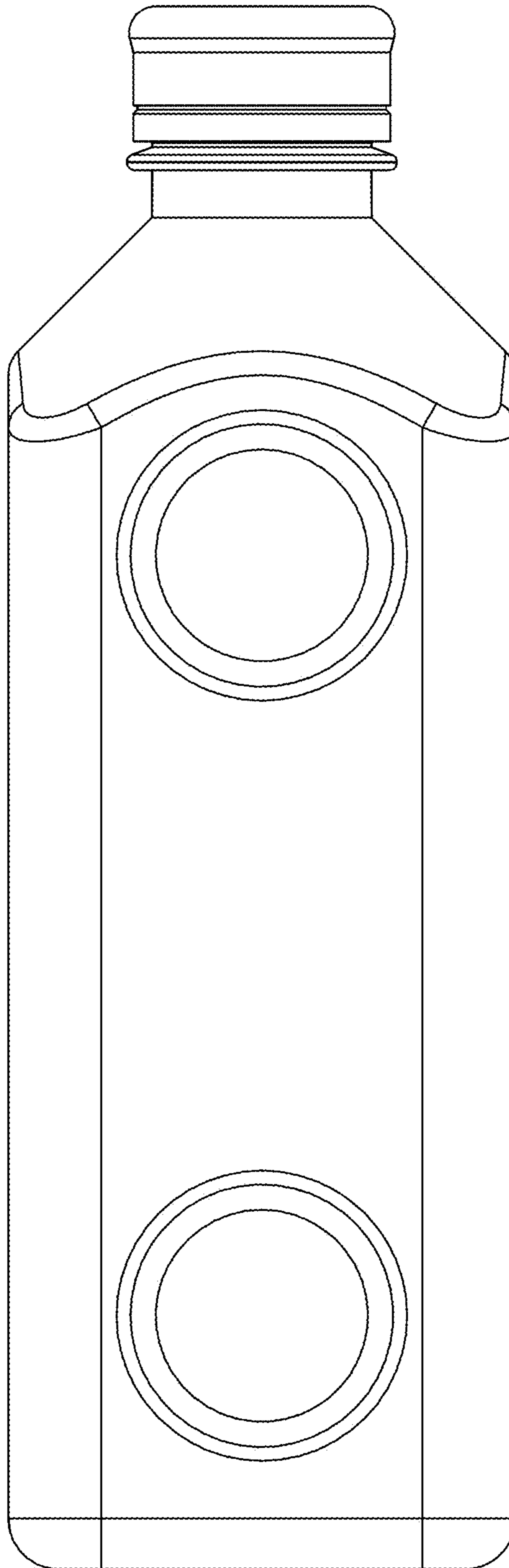
3.4



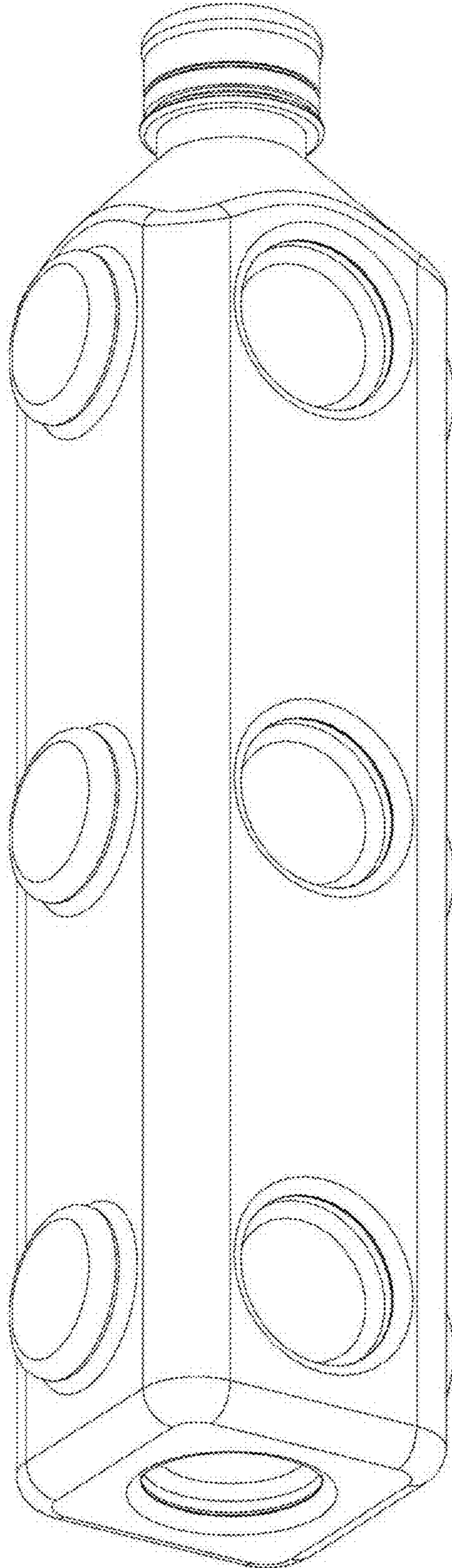
3.5



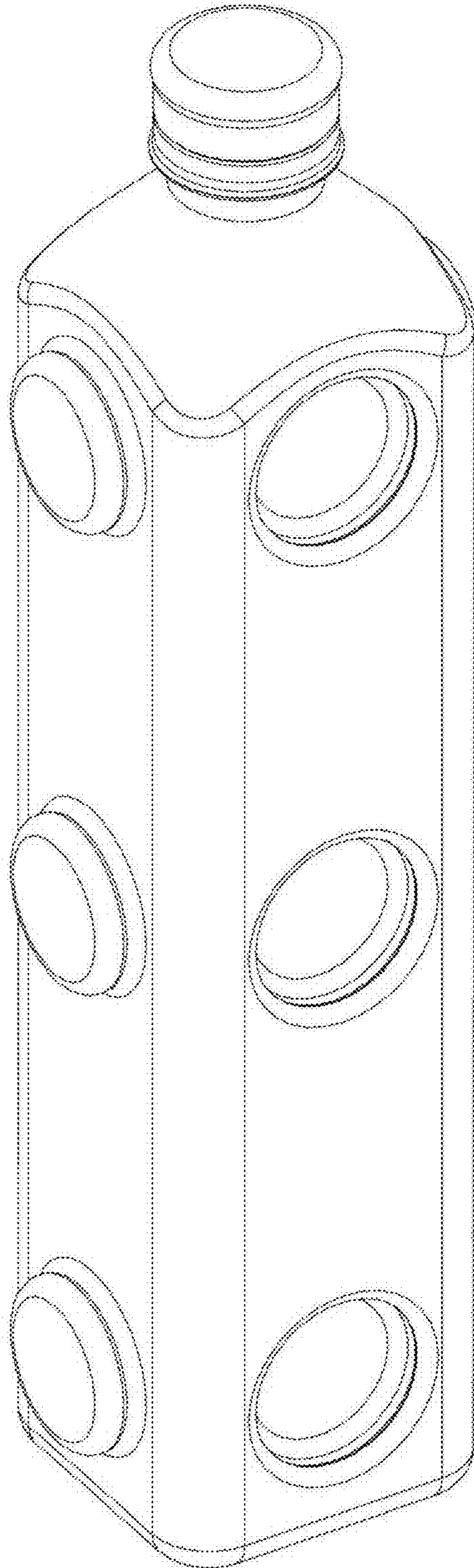
3.6



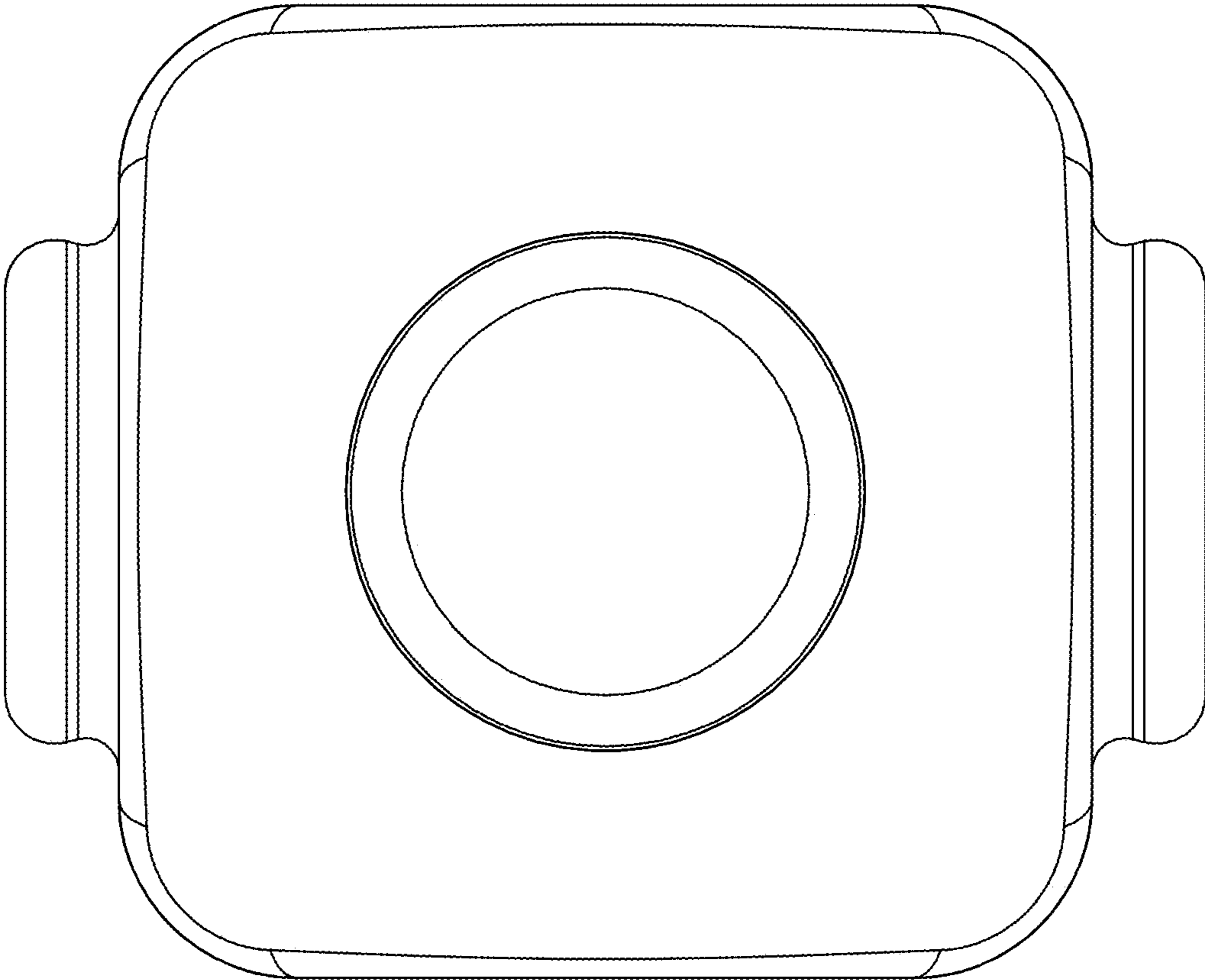
4.1



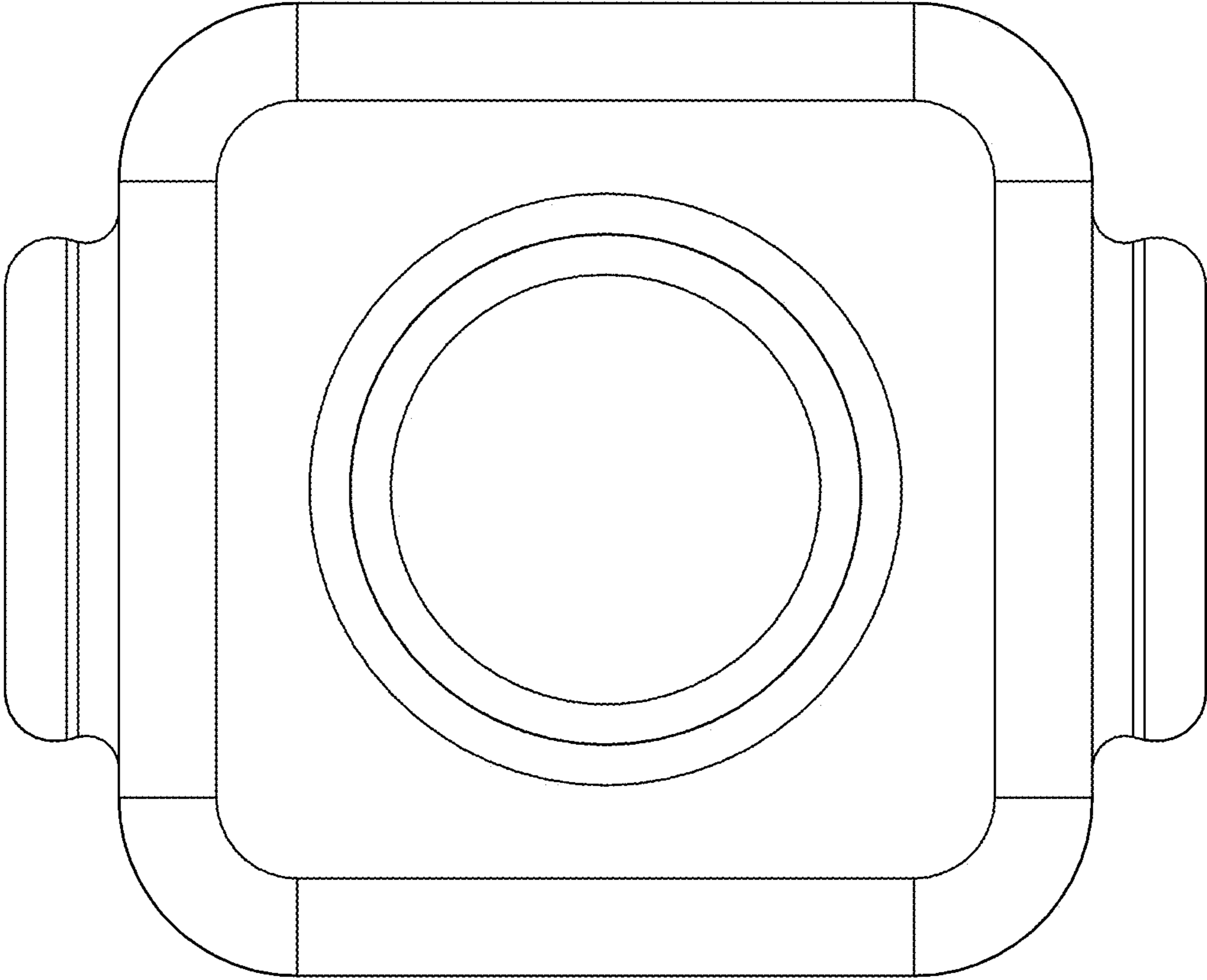
4.2



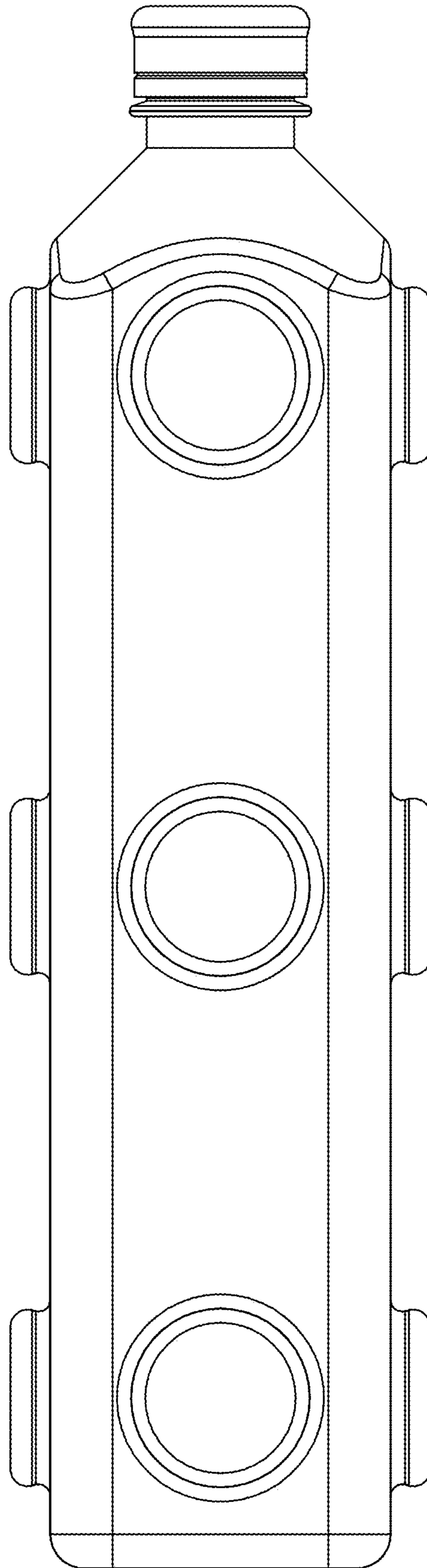
4.3



4.4



4.5



4.6

