



US00D926581S

(12) **United States Design Patent**
Thibodeau

(10) **Patent No.:** **US D926,581 S**
(45) **Date of Patent:** **** *Aug. 3, 2021**

- (54) **BOTTLE**
- (71) Applicant: **DT Inventions**, Houston, TX (US)
- (72) Inventor: **James Alfred Thibodeau**, Gahanna, TX (US)
- (73) Assignee: **DT Inventions**, Houston, TX (US)
- (*) Notice: This patent is subject to a terminal disclaimer.
- (**) Term: **15 Years**
- (21) Appl. No.: **29/730,891**
- (22) Filed: **Apr. 9, 2020**

3,963,206	A *	6/1976	Scolaro	A61J 9/0684 248/105
D265,159	S *	6/1982	La Barbera	D7/622
D287,451	S *	12/1986	Schrock	D7/622
D370,384	S *	6/1996	Shamis	D7/393
D449,993	S *	11/2001	Schumann	D9/434
6,543,825	B1 *	4/2003	Dragutin	B65D 23/106 215/396
D496,584	S *	9/2004	Darr	B65D 23/106 D8/307
D578,396	S *	10/2008	Caldwell	D9/522
D588,912	S *	3/2009	Christensen	D9/434
D598,746	S *	8/2009	Caldwell	D9/435
D598,747	S *	8/2009	Caldwell	D9/435
D612,734	S *	3/2010	Sarsfield-Thomas	D9/516
D746,679	S *	1/2016	Jasso Gomez	D9/443
D762,119	S *	7/2016	Thibodeau	D9/516
D803,634	S *	11/2017	Parker	D7/622

(Continued)

Related U.S. Application Data

- (62) Division of application No. 29/609,162, filed on Jun. 28, 2017, now Pat. No. Des. 881,015.
- (51) **LOC (13) Cl.** **09-01**
- (52) **U.S. Cl.**
USPC **D9/516; D9/531**
- (58) **Field of Classification Search**
USPC D9/434, 436, 440, 443, 445, 447, 449, D9/453, 454, 516, 527, 528, 530, 531, D9/535, 536, 540-543, 558, 715, 719, D9/742, 753; D7/387, 509, 510, 511, D7/622
CPC B65D 1/023; B65D 41/0442; B65D 23/10; B65D 23/104; B65D 25/2897; B65D 23/102; B65D 23/12; B65D 25/00
See application file for complete search history.

(56) **References Cited**

U.S. PATENT DOCUMENTS

- 2,378,867 A * 6/1945 Reichart A47J 45/077
294/31.2
- D201,580 S * 7/1965 Dike D9/560

Primary Examiner — W. A. Teddy Falloway

(74) *Attorney, Agent, or Firm* — Osha Bergman Watanabe & Burton LLP

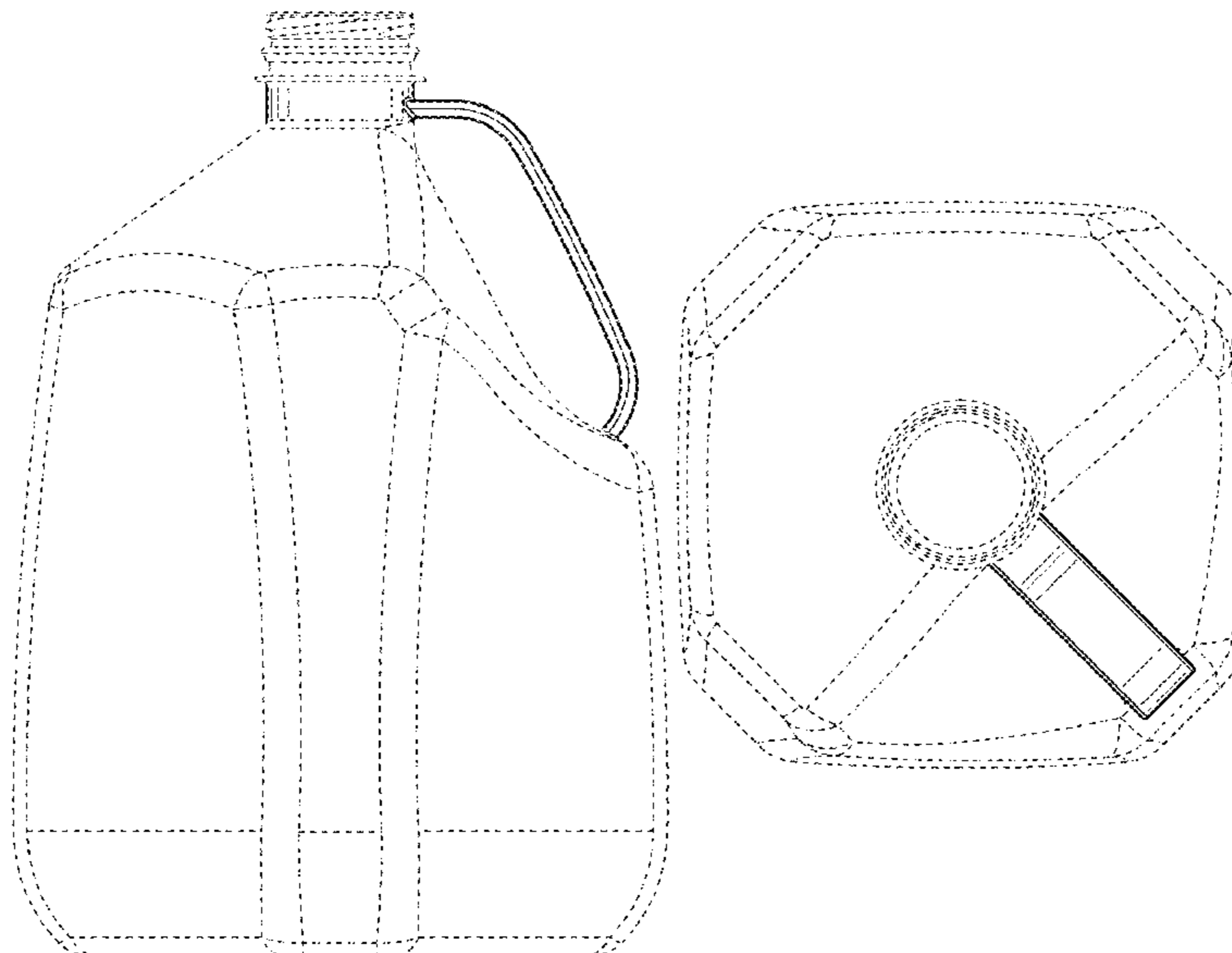
(57) **CLAIM**

The ornamental design for a bottle, as shown and described.

DESCRIPTION

FIG. 1 shows a front elevation view of the bottle according to my new design;
 FIG. 2 shows a rear elevation view thereof;
 FIG. 3 shows a left side view thereof;
 FIG. 4 shows a right side view thereof;
 FIG. 5 shows a top plan view thereof;
 FIG. 6 shows a bottom plan view thereof;
 FIG. 7 shows a right, rear perspective view thereof;
 FIG. 8 shows a right, front perspective view thereof; and,
 FIG. 9 shows a perspective view thereof.
 The broken lines in the drawings showing the bottle illustrate the portions of the bottle that form no part of the claimed design.

1 Claim, 5 Drawing Sheets



(56)

References Cited

U.S. PATENT DOCUMENTS

D805,358 S * 12/2017 Cutt D7/622
D809,860 S * 2/2018 Carlson D7/396.2
D811,161 S * 2/2018 Boroski D7/394
D812,984 S * 3/2018 Seiders D7/622
D825,257 S * 8/2018 Jacobsen D7/393
D846,388 S * 4/2019 Arianpour D9/443
D856,115 S * 8/2019 Herrera D8/349
D856,759 S * 8/2019 Ahn D7/622
D867,075 S * 11/2019 Johnson D7/622
D871,165 S * 12/2019 Gray D7/622
D881,015 S * 4/2020 Thibodeau D9/531
D887,846 S * 6/2020 Thibodeau D9/516
D888,566 S * 6/2020 Thibault D9/531
D889,971 S * 7/2020 Meza D9/516
D900,613 S * 11/2020 Sohel D9/531
D900,614 S * 11/2020 Lee D9/531
D901,248 S * 11/2020 Lane D7/510
D902,046 S * 11/2020 Zakka D9/600
D902,726 S * 11/2020 Meza D9/516
2007/0221607 A1 * 9/2007 Piccioli B65D 23/106
215/396
2007/0221608 A1 * 9/2007 Axe B65D 25/2817
215/396
2007/0272651 A1 * 11/2007 DiPasquale B65D 23/104
215/396
2008/0083764 A1 * 4/2008 Kaminski B65D 1/0223
220/660
2020/0361676 A1 * 11/2020 Womble A61J 1/03

* cited by examiner

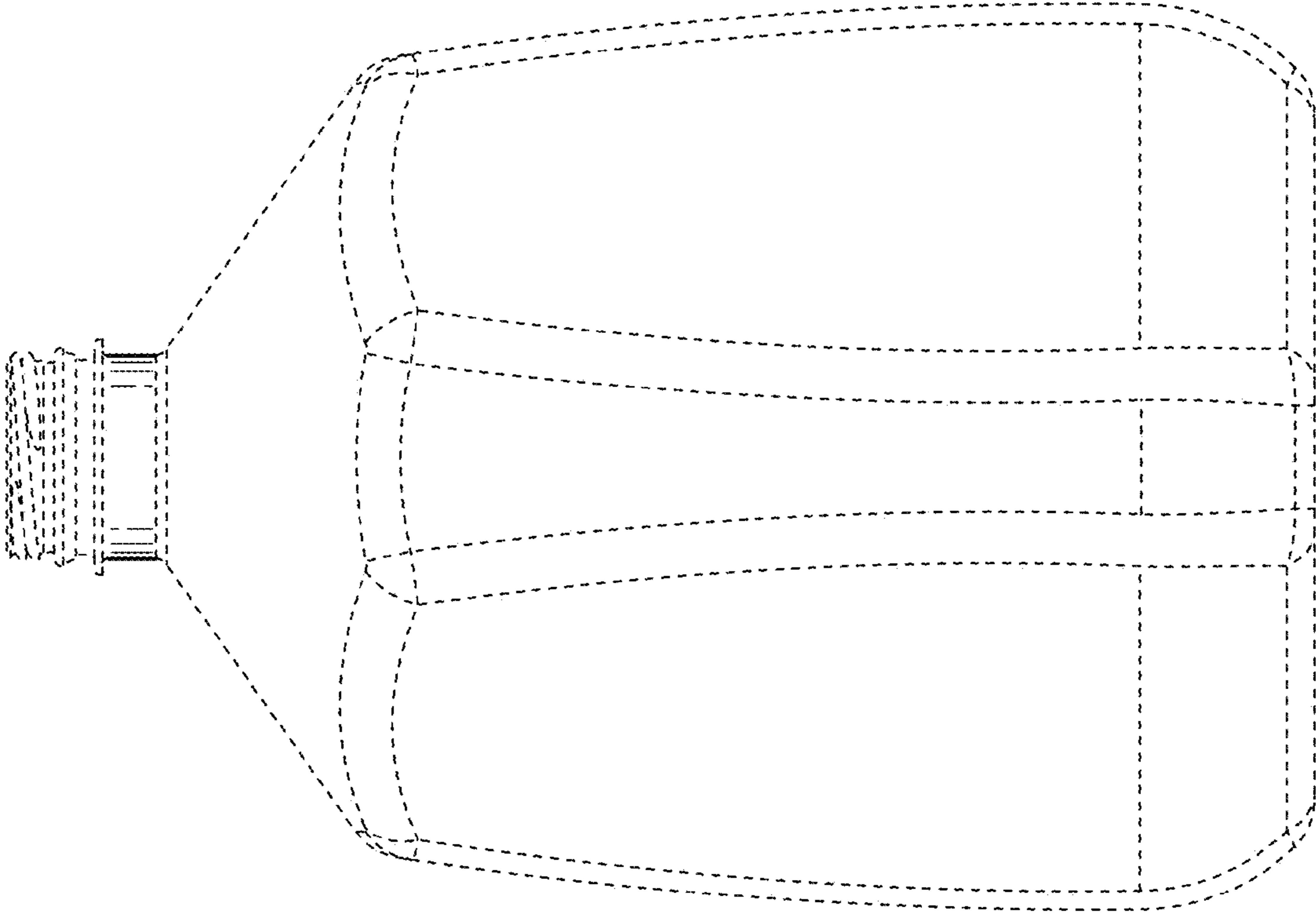


FIG. 2

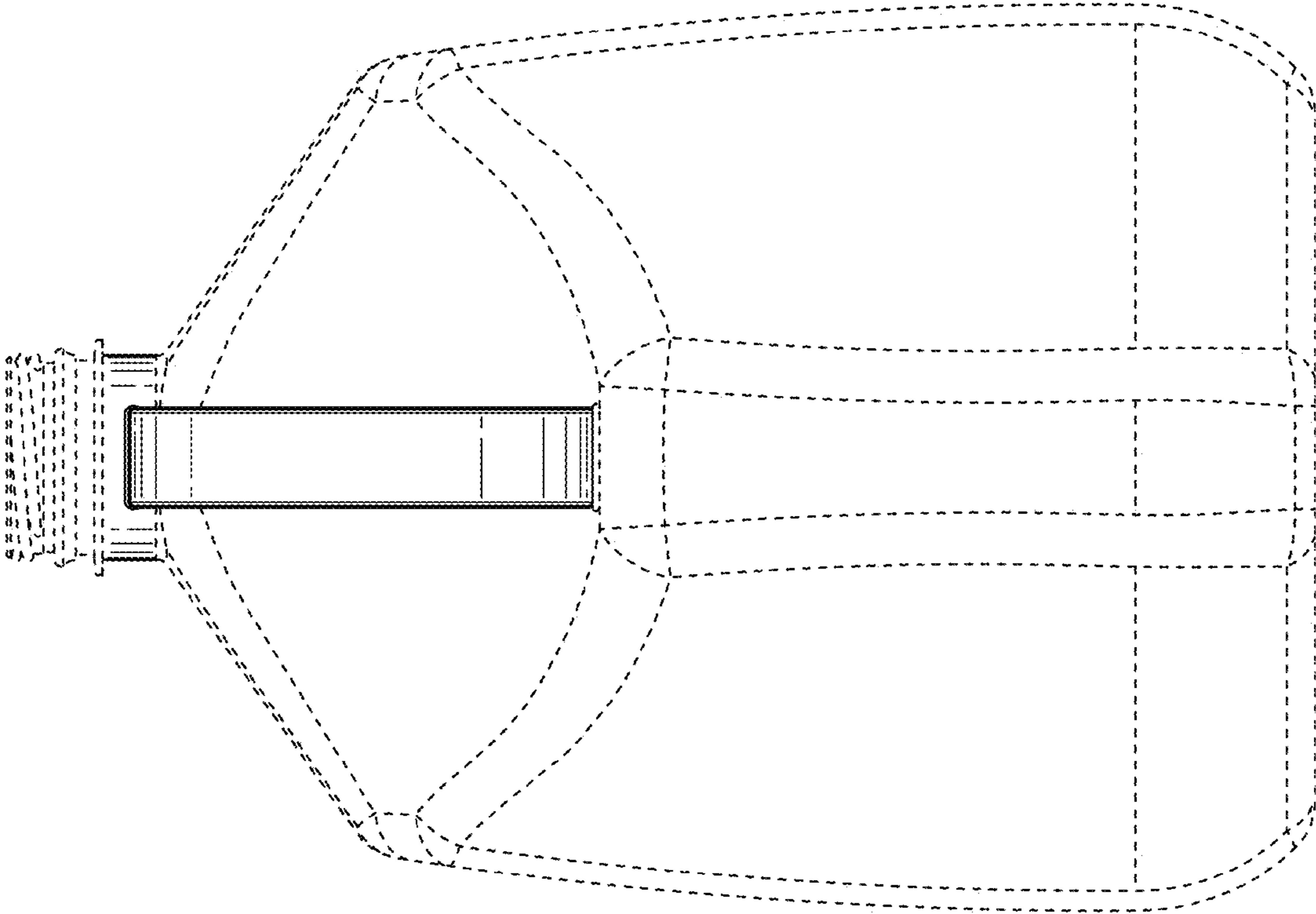


FIG. 1

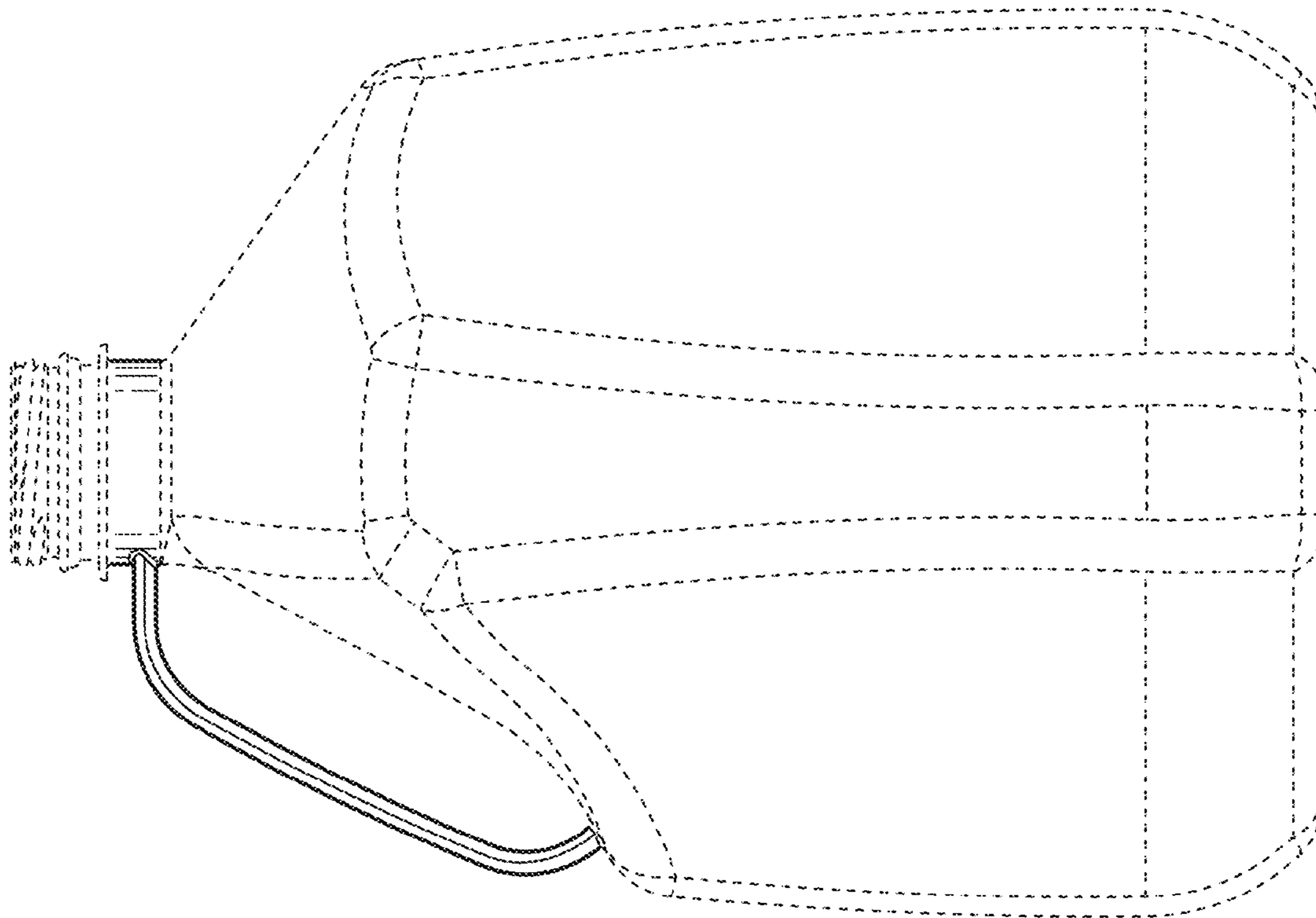


FIG. 4

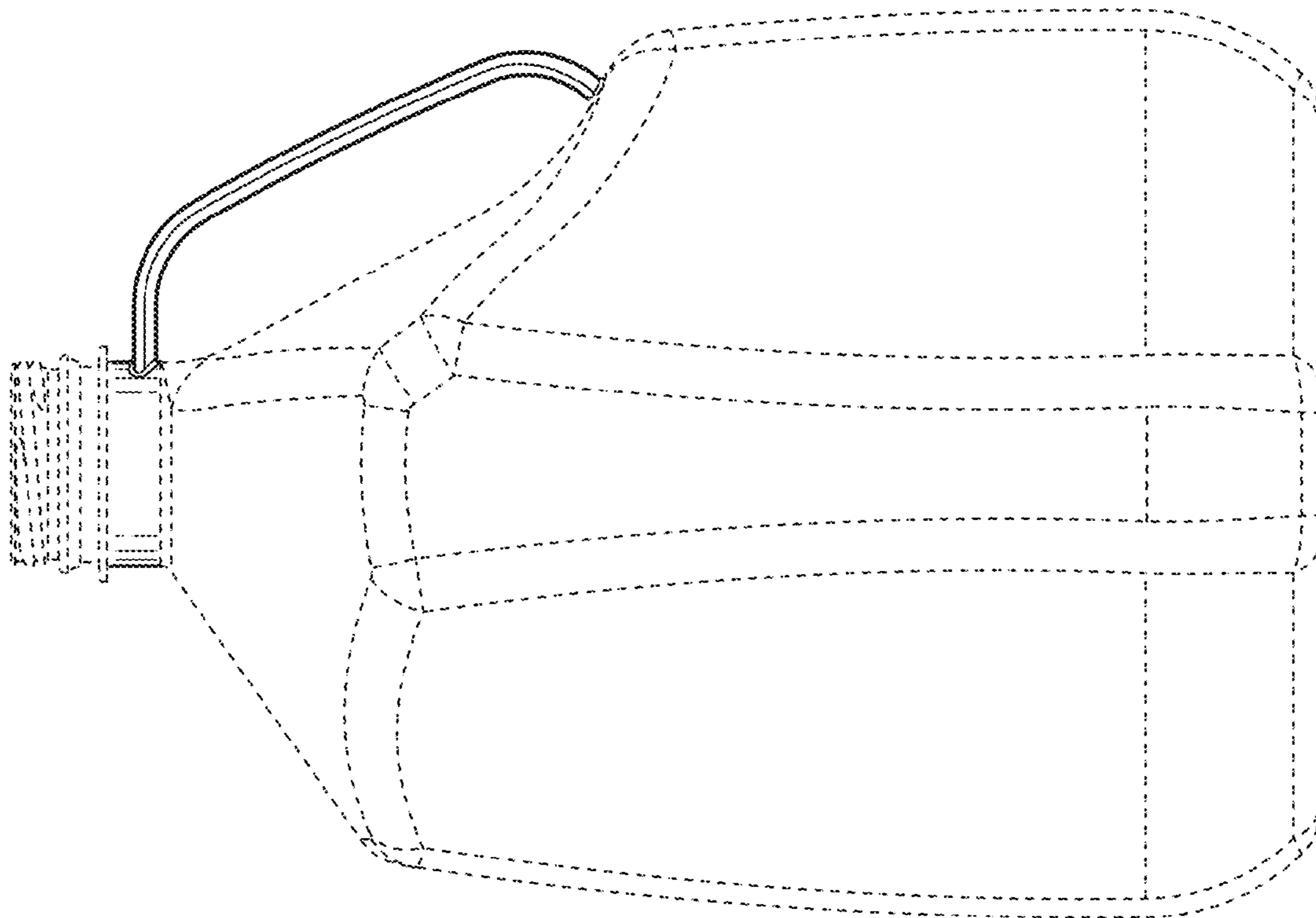


FIG. 3

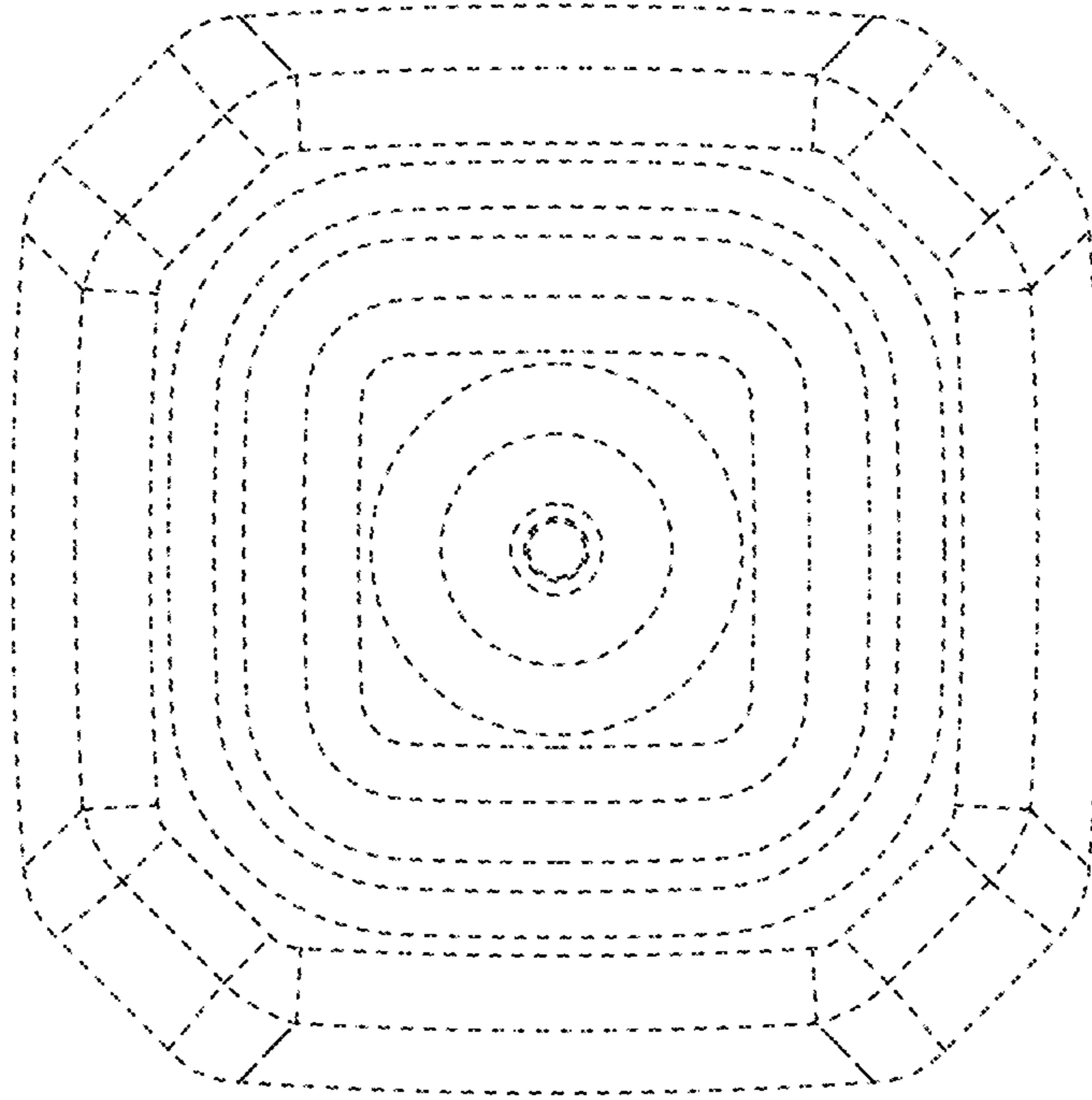


FIG. 6

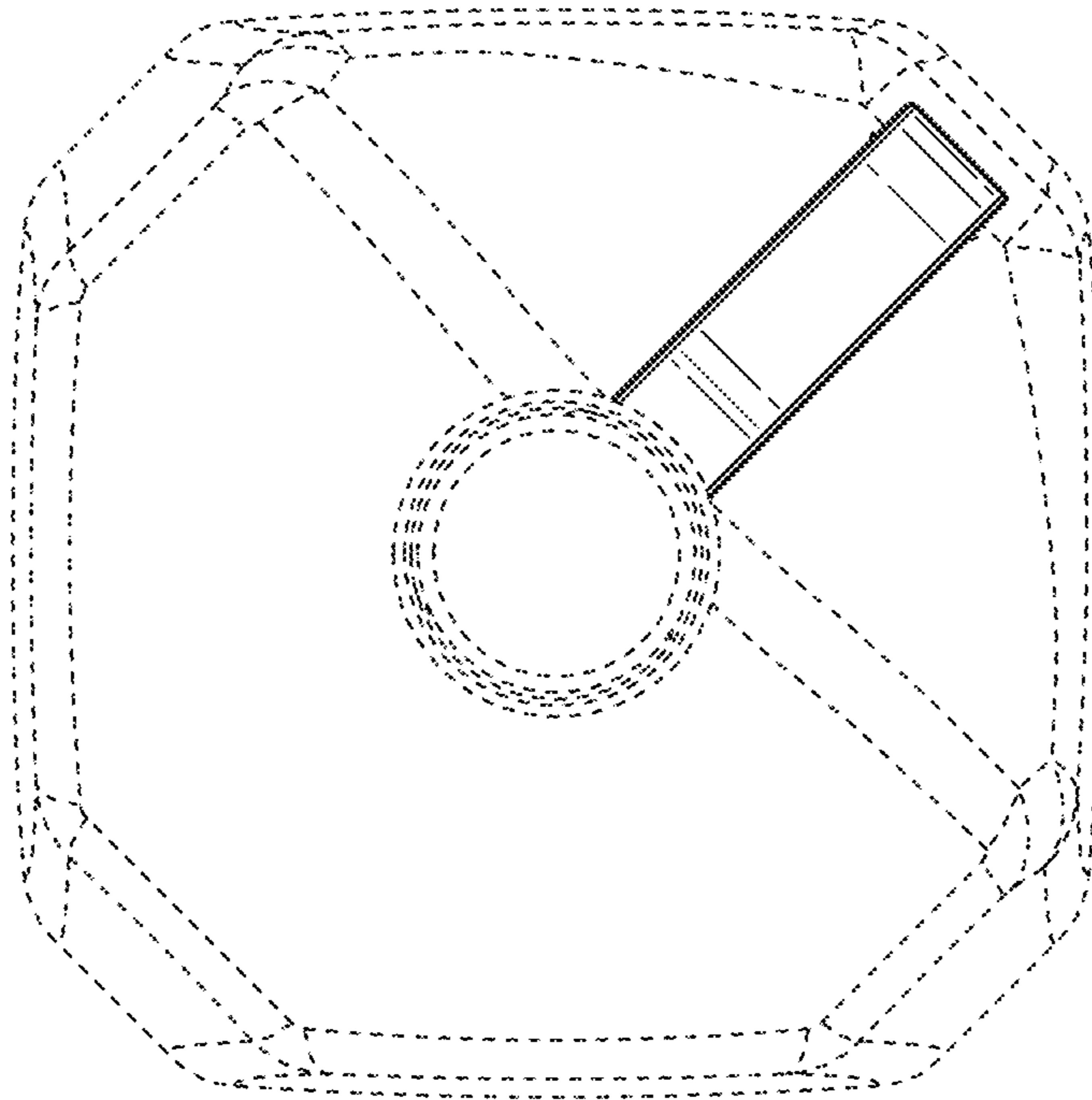


FIG. 5

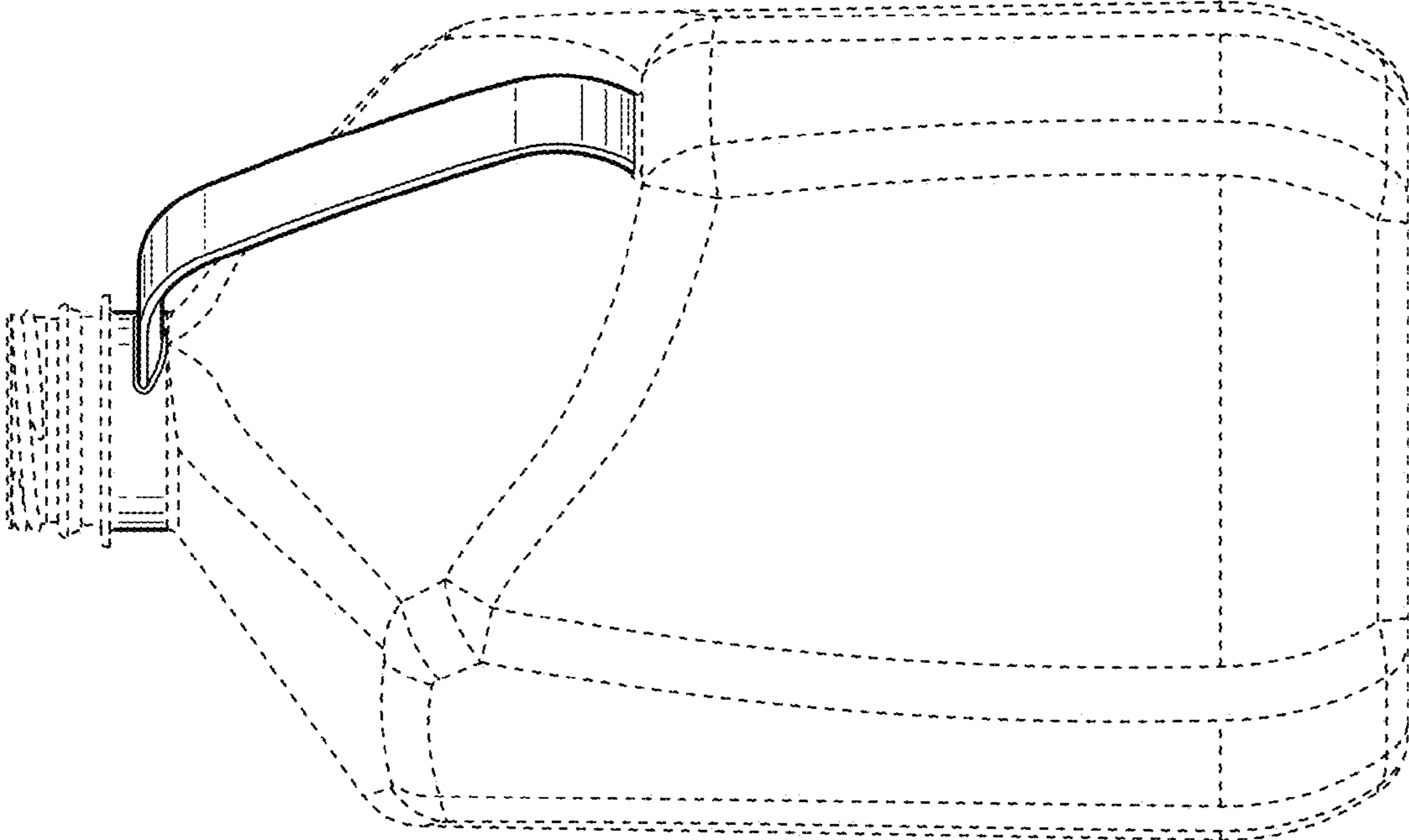


FIG. 7

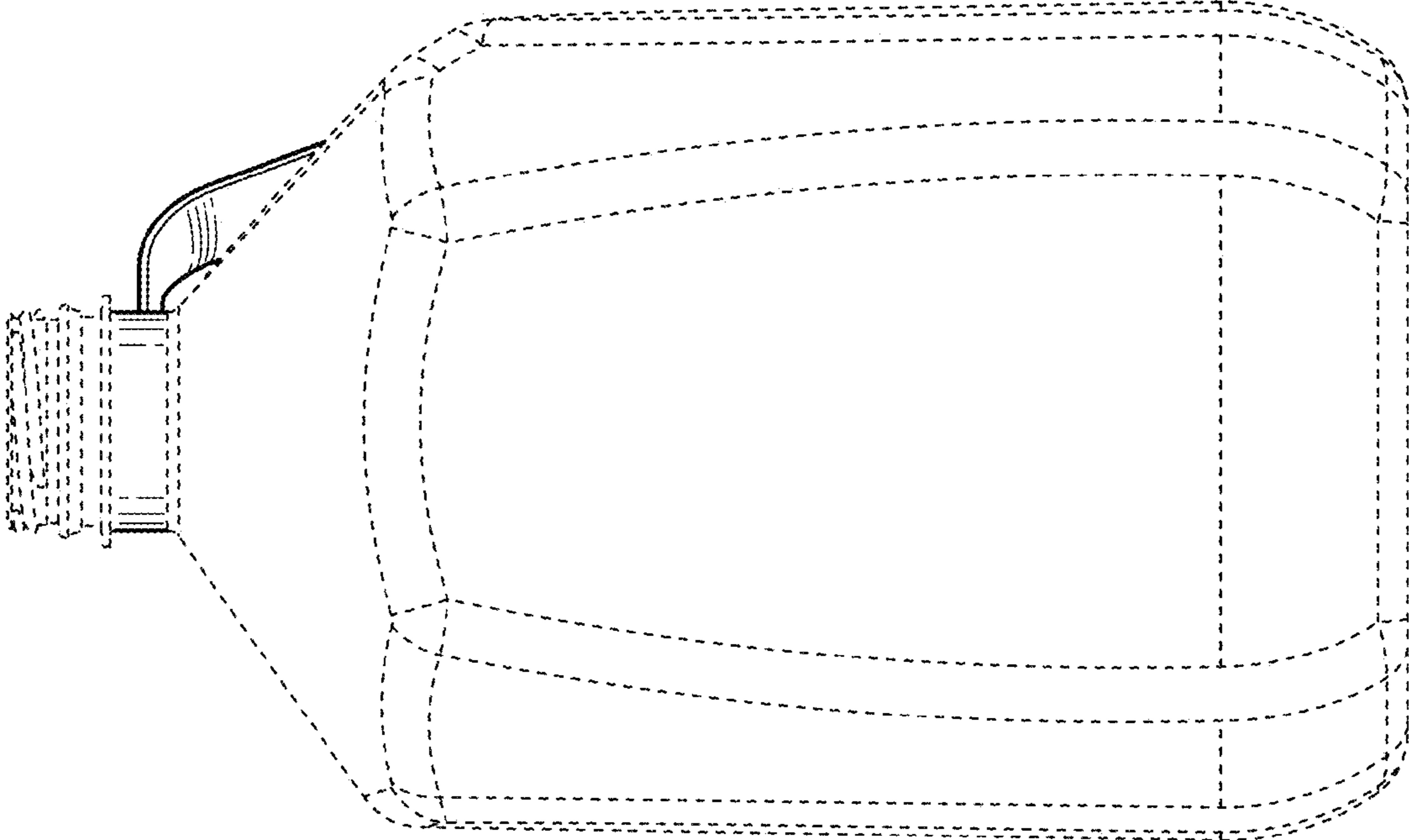


FIG. 8

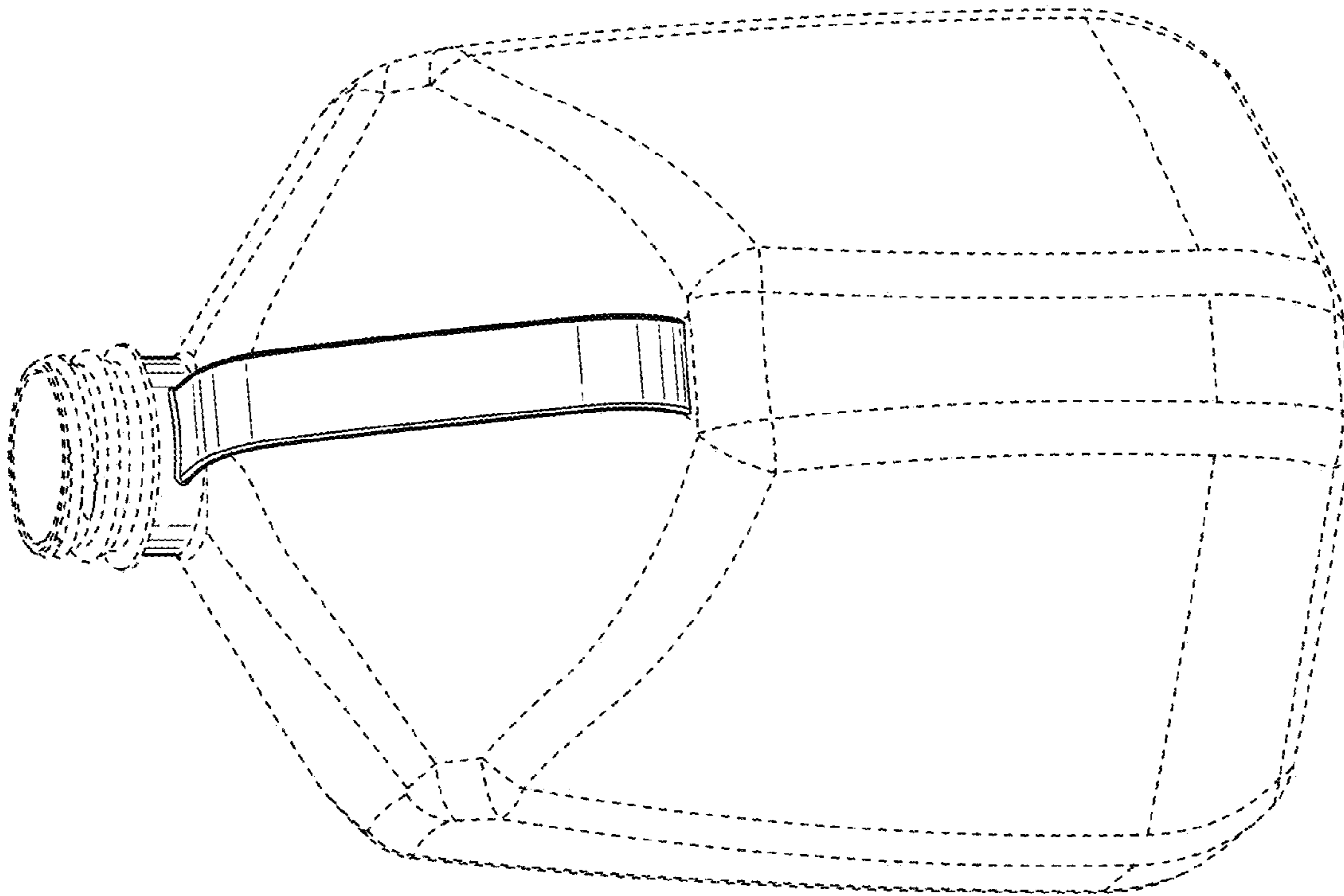


FIG. 9