



US00D926578S

(12) **United States Design Patent**  
**Kim**

(10) **Patent No.:** **US D926,578 S**

(45) **Date of Patent:** **\*\* Aug. 3, 2021**

(54) **PUMPING VESSEL FOR PACKAGING CONTAINER**

(71) Applicant: **YONWOO CO., LTD.**, Incheon (KR)

(72) Inventor: **Sang Hyung Kim**, Incheon (KR)

(73) Assignee: **YONWOO CO., LTD.**, Incheon (KR)

(\*\*) Term: **15 Years**

(21) Appl. No.: **29/729,294**

(22) Filed: **Mar. 25, 2020**

(30) **Foreign Application Priority Data**

Oct. 11, 2019 (KR) ..... 30-2019-0048468

(51) **LOC (13) Cl.** ..... **09-07**

(52) **U.S. Cl.**

USPC ..... **D9/456; D9/690**

(58) **Field of Classification Search**

USPC ..... D6/515, 542, 702; D7/391, 392, 392.1, D7/396.1, 396.2, 397, 398, 619.2, 620, D7/624.1; D9/434, 435, 436, 439, 440, D9/447, 448, 449, 450, 452, 454, 682, D9/685, 686, 688, 690, 723, 729, 503, D9/504, 505, 516, 529, 548, 549, 442, D9/445, 451, 453, 455; D23/233, 249, D23/259, 260, 261; D24/113, 127, 129; D28/84, 91.1; D12/419

CPC .. A61J 1/00; A61J 1/1412; B65D 1/46; B65D 41/00; B65D 41/38; B65D 41/56; B65D 41/63; B65D 47/00; B65D 47/06; B65D 47/08; B65D 2251/00; B65D 85/804; B65D 25/082; A47J 31/407

See application file for complete search history.

(56) **References Cited**

U.S. PATENT DOCUMENTS

D460,357 S \* 7/2002 Kras ..... D9/435  
D630,949 S \* 1/2011 Lim ..... D9/690  
D641,071 S \* 7/2011 Grether ..... D23/249

D657,691 S \* 4/2012 Lim ..... D9/690  
8,662,777 B2 \* 3/2014 Thiebaut ..... A45D 40/267  
401/122  
D721,284 S \* 1/2015 Yeo ..... D9/690  
D757,562 S \* 5/2016 Jung ..... D9/690

(Continued)

**OTHER PUBLICATIONS**

Airless Pump Jars: Announced [Mar. 21, 2011 (onlin)]. Site Visited [Mar. 27, 2021]. Available from Internet URL: [https://www.etsy.com/listing/772961476/airless-pump-jars-refillable-beauty?gpla=1&gao=1&&utm\\_source=google&utm\\_medium=cpc&utm\\_campaign=shopping\\_us\\_a-bath\\_and\\_beauty-skin\\_care-moisturizers&utm\\_custom1=\\_k\\_CjwKCAjwr\\_uCBhAFEiwAX8YJgR1YKbPq9zFr7Y\\_IHQzyU-zx8VDFt-9uodPm3CF\\_VoD1KF\\_IIWDrTBoCuukQAvD\\_BwE\\_k\\_&utm\\_content=go\\_20.\\*](https://www.etsy.com/listing/772961476/airless-pump-jars-refillable-beauty?gpla=1&gao=1&&utm_source=google&utm_medium=cpc&utm_campaign=shopping_us_a-bath_and_beauty-skin_care-moisturizers&utm_custom1=_k_CjwKCAjwr_uCBhAFEiwAX8YJgR1YKbPq9zFr7Y_IHQzyU-zx8VDFt-9uodPm3CF_VoD1KF_IIWDrTBoCuukQAvD_BwE_k_&utm_content=go_20.*)

(Continued)

*Primary Examiner* — Catherine S Posthauer

(74) *Attorney, Agent, or Firm* — Novick, Kim & Lee, PLLC; Sang Ho Lee; Hyun Woo Shin

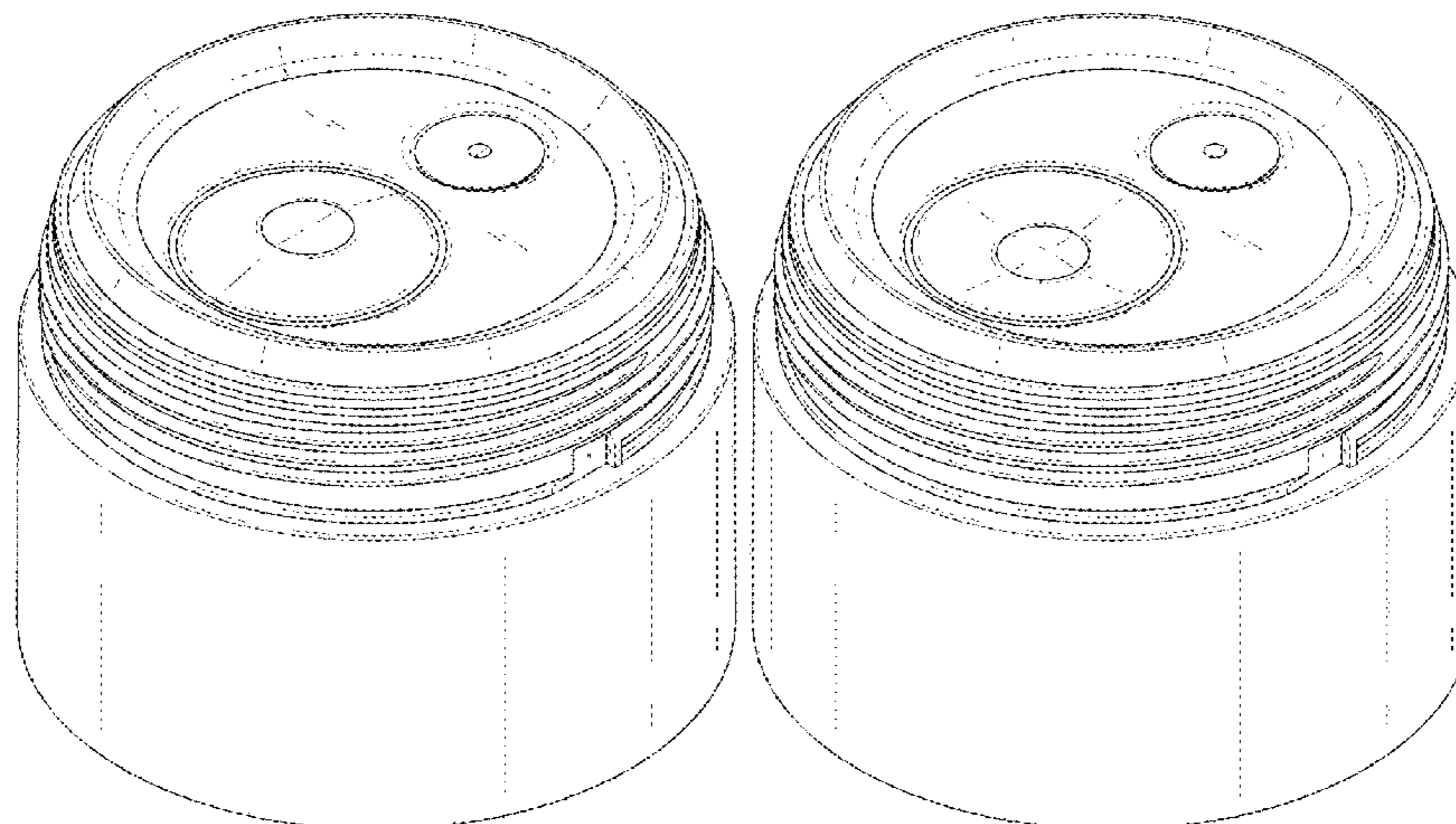
(57) **CLAIM**

I claim the ornamental design for a pumping vessel for packaging container, as shown and described.

**DESCRIPTION**

FIG. 1 is a perspective view of a pumping vessel for packaging container, showing my new design; FIG. 2 is a front elevational view thereof; FIG. 3 is a rear elevational view thereof; FIG. 4 is a left side elevational view thereof; FIG. 5 is a right side elevational view thereof; FIG. 6 is a top plan view thereof; FIG. 7 is a bottom plan view thereof; and, FIG. 8 is a reference view of thereof showing a configuration of use wherein a button at the top of the pumping vessel for packaging container is pressed downward.

(Continued)



The broken lines in the drawings show portions of the pumping vessel for packaging container which form no part of the claimed design.

**1 Claim, 6 Drawing Sheets**

(56) **References Cited**

U.S. PATENT DOCUMENTS

D763,691	S	*	8/2016	Marantis	.....	D9/454
D773,848	S	*	12/2016	Yang	.....	D6/542
D782,621	S	*	3/2017	Smith	.....	D23/259
D786,692	S	*	5/2017	Kim	.....	D9/690
D829,465	S	*	10/2018	Yang	.....	D6/542
D899,249	S	*	10/2020	Li	.....	D9/435
2012/0006853	A1	*	1/2012	Lim	.....	A45D 40/0075 222/256
2017/0238675	A1	*	8/2017	Jung	.....	A45D 40/0075
2018/0290785	A1	*	10/2018	Jung	.....	B65D 1/323
2019/0021470	A1	*	1/2019	Kim	.....	A45D 34/04

OTHER PUBLICATIONS

Presto Jar V2: Site Visited Mar. 27, 2021. Available from Internet  
URL: <http://www.yonwoo.kr/en/product/presto-jar-v2/>.\*

\* cited by examiner

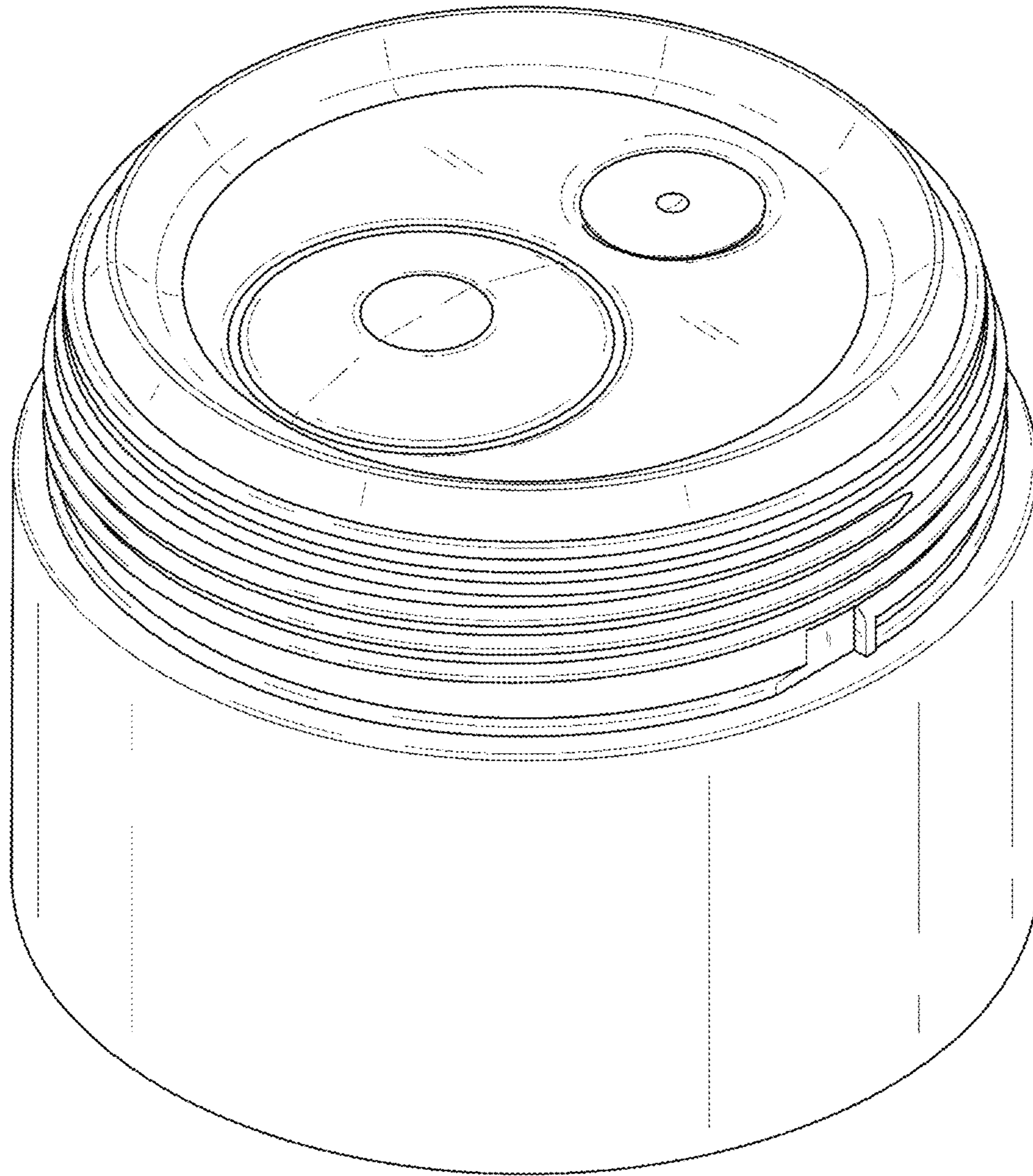
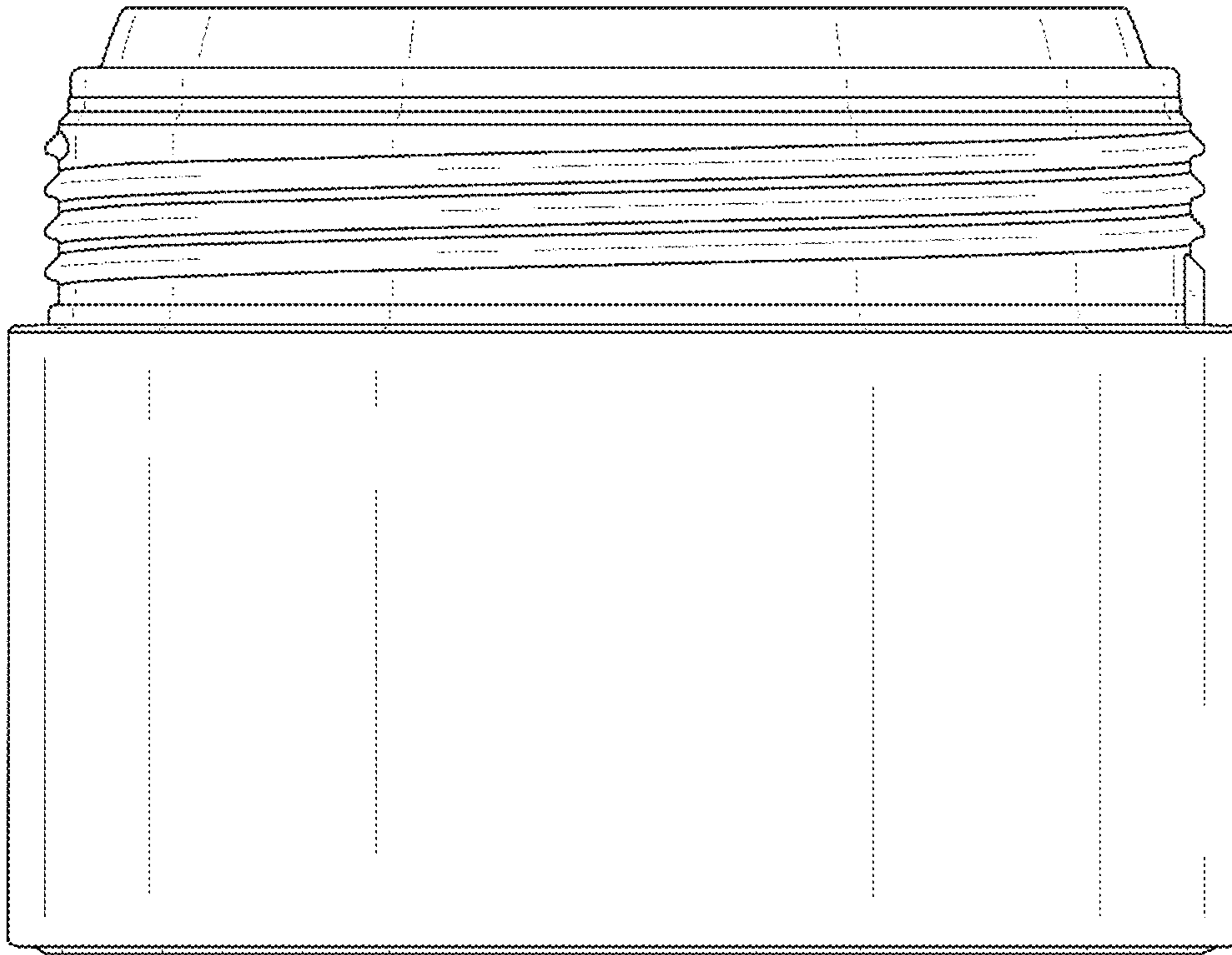
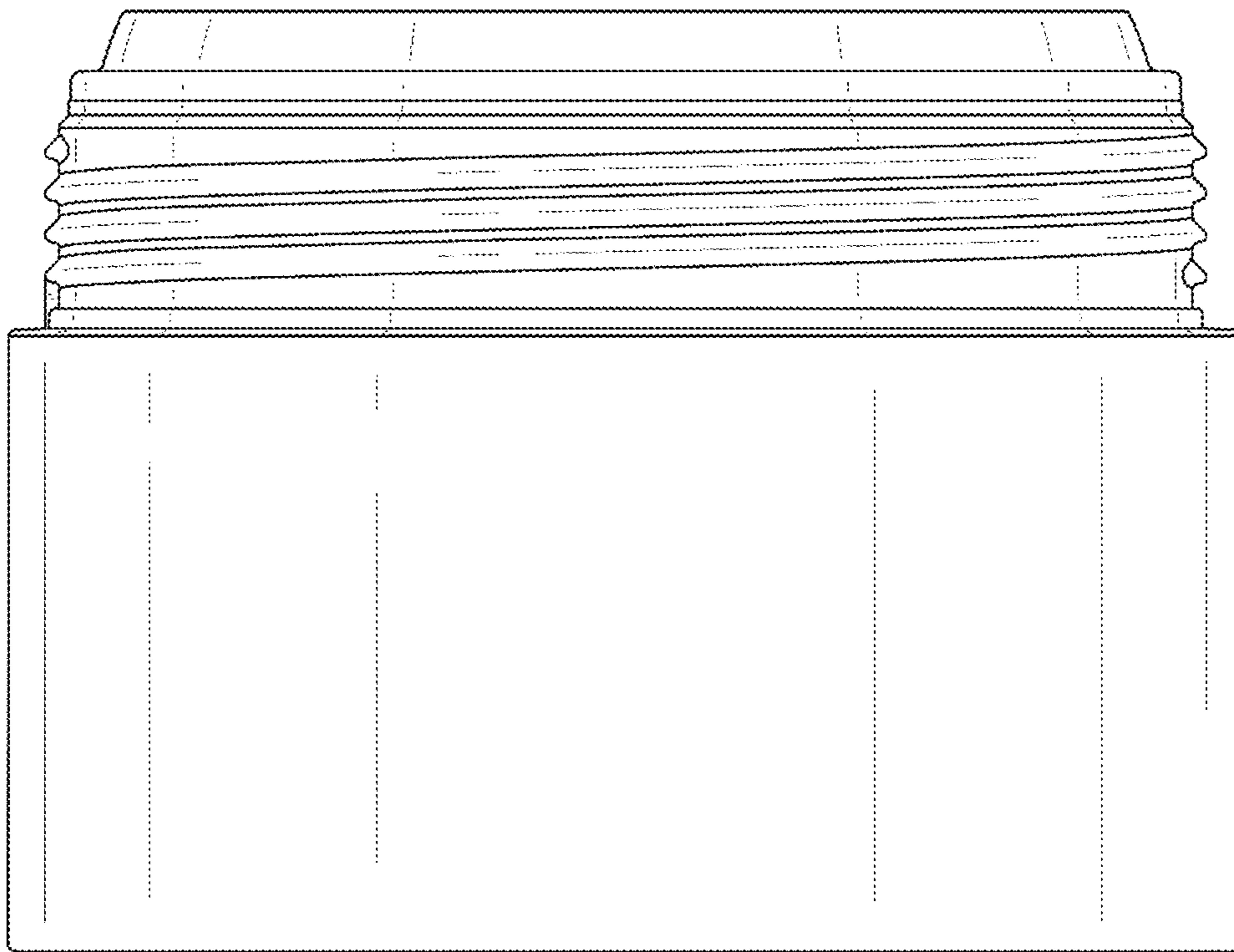


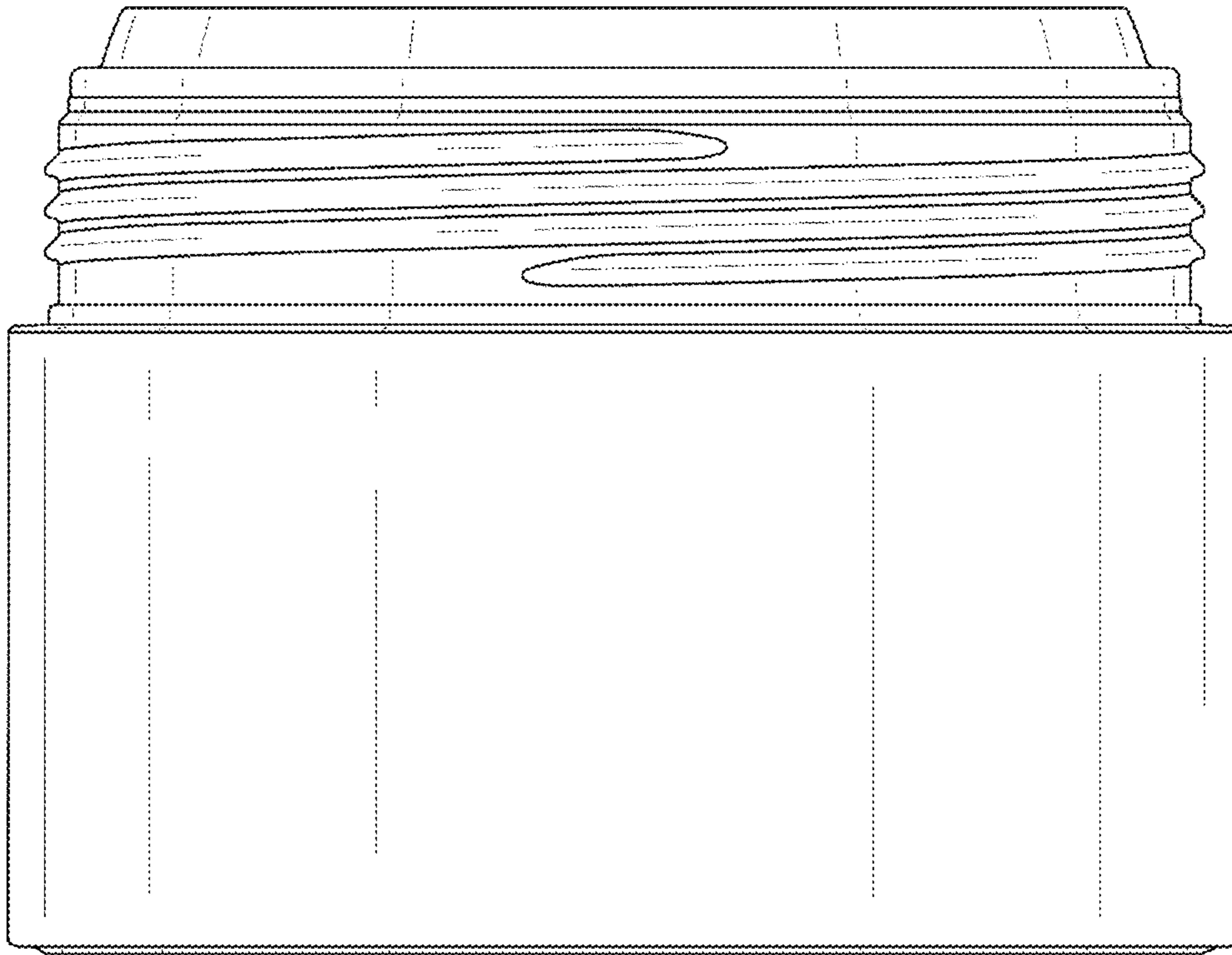
FIG. 1



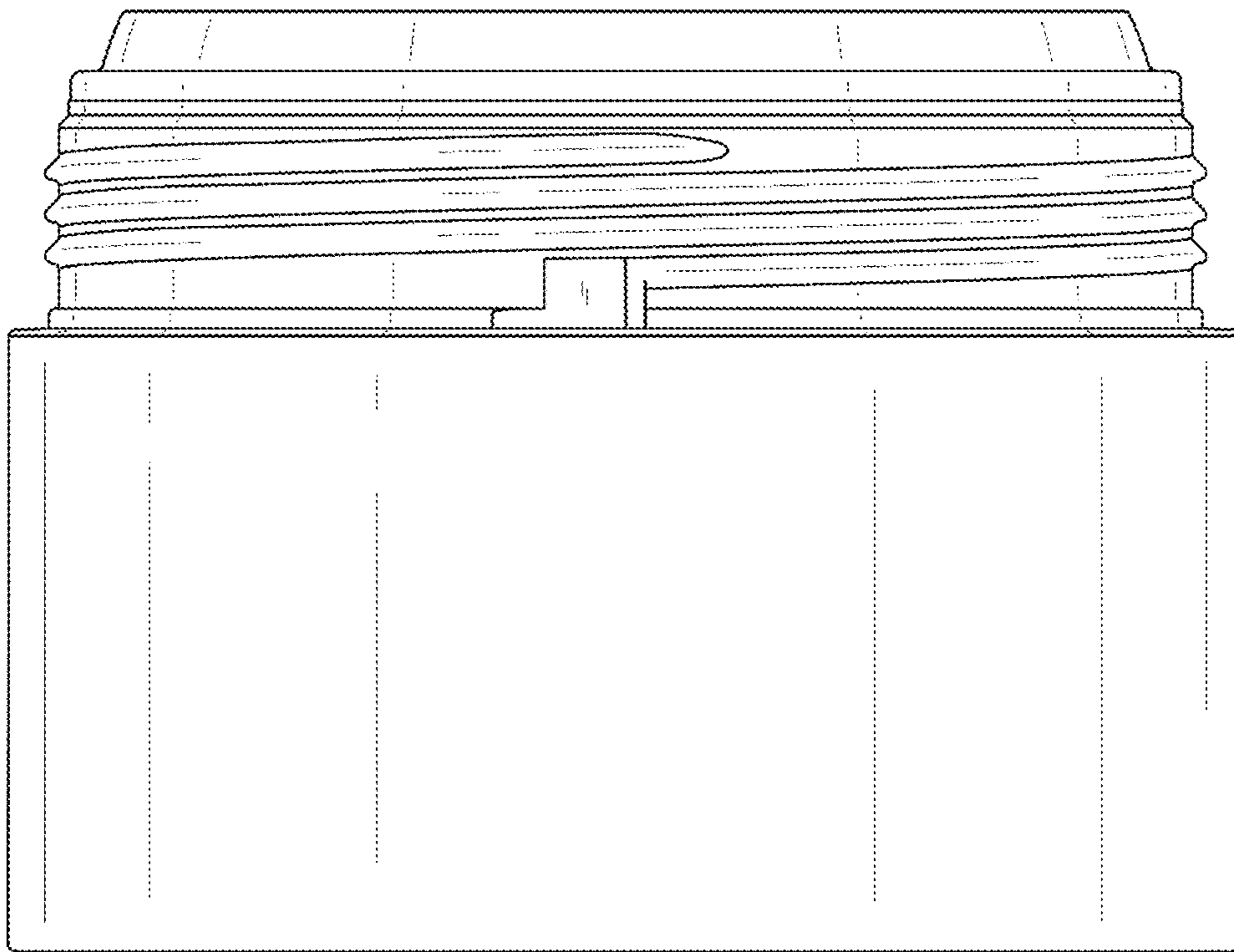
**FIG. 2**



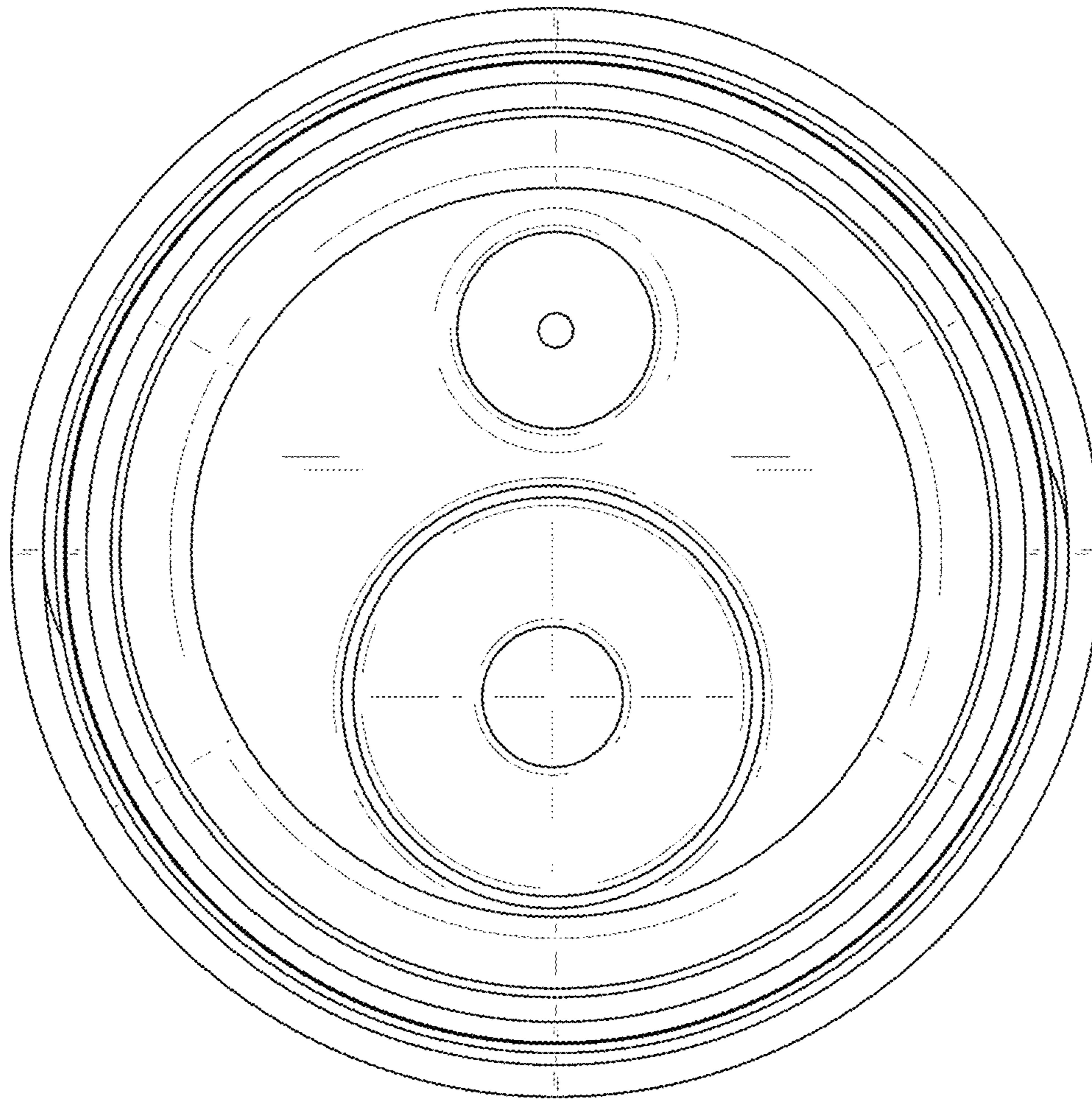
**FIG. 3**



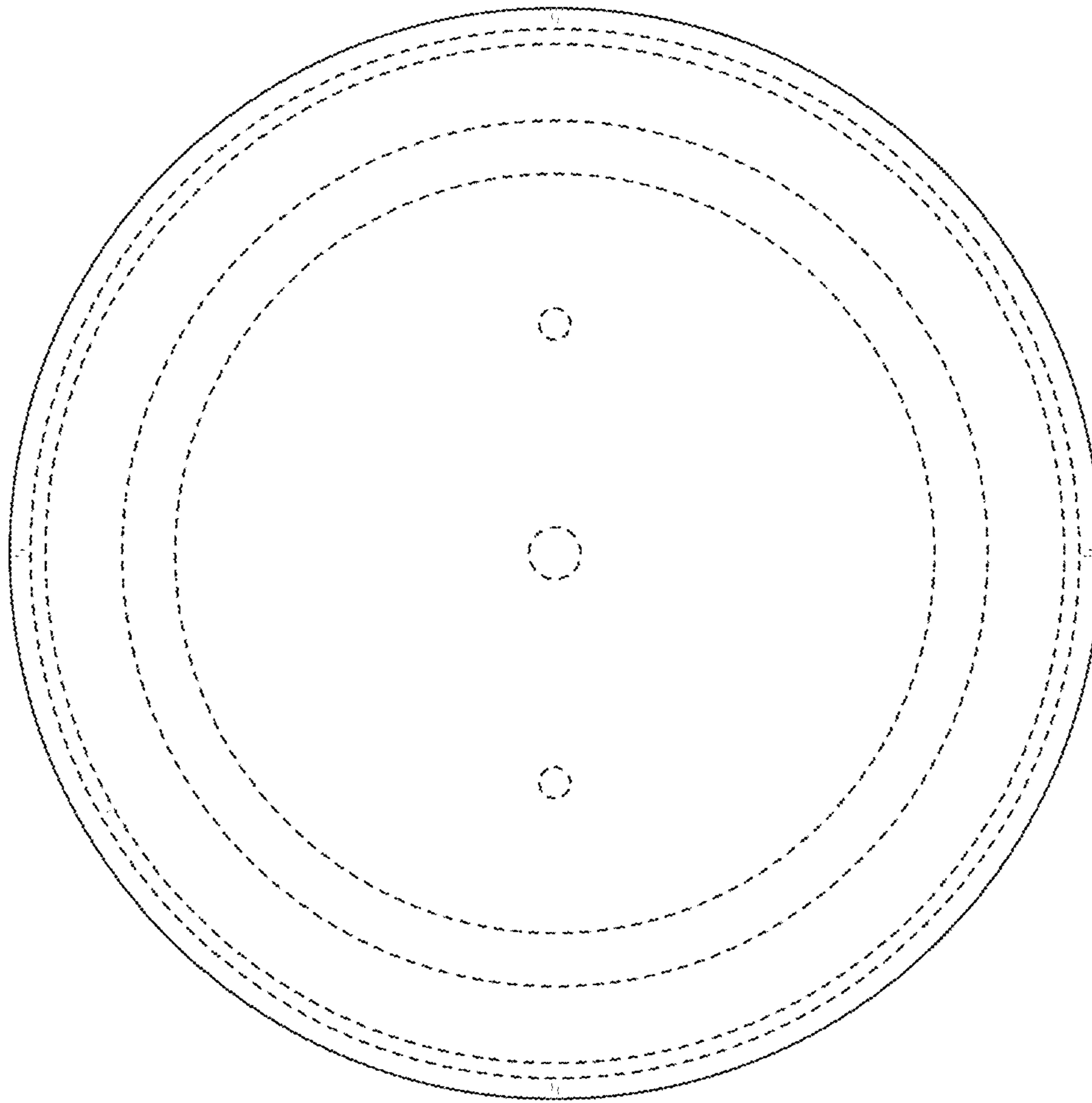
**FIG. 4**



**FIG. 5**



**FIG. 6**



**FIG. 7**

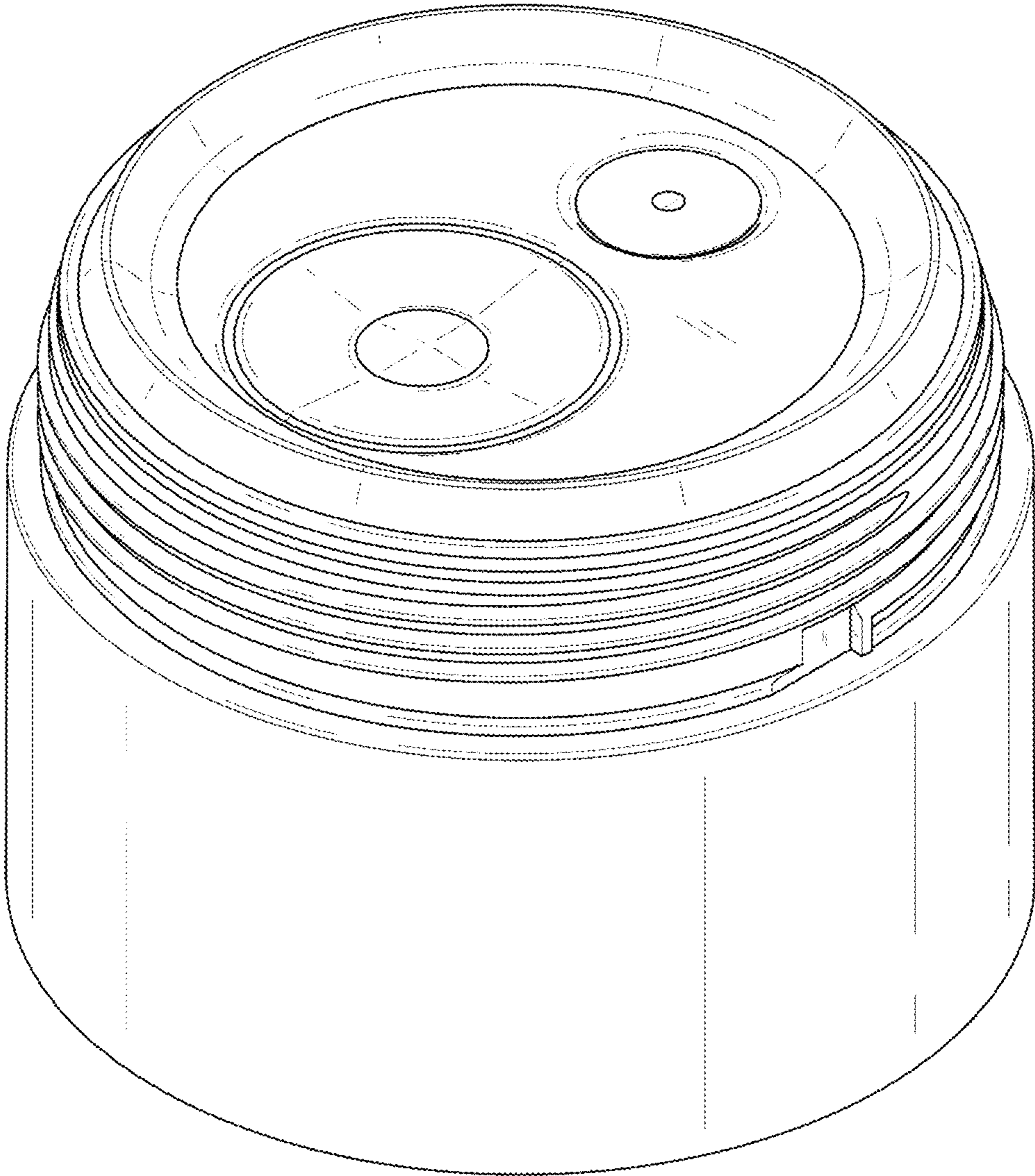


FIG. 8