



US00D926576S

(12) **United States Design Patent** (10) **Patent No.:** **US D926,576 S**  
**Hartley et al.** (45) **Date of Patent:** **\*\* Aug. 3, 2021**

(54) **CONTAINER LID**

(71) Applicant: **The Decor Corporation Pty. Ltd.**,  
Dandenong South (AU)  
(72) Inventors: **Toby Hartley**, Keysborough (AU);  
**George Kotsiopoulos**, Keysborough  
(AU); **Alexander Schoenmakers**,  
Keysborough (AU); **Justin Armistead**,  
Keysborough (AU)

(73) Assignee: **The Decor Corporation Pty. Ltd.**,  
Dandenong South (AU)

(\*\*) Term: **15 Years**

(21) Appl. No.: **29/700,066**

(22) Filed: **Jul. 31, 2019**

(30) **Foreign Application Priority Data**

Feb. 5, 2019 (AU) ..... 201910579

(51) **LOC (13) Cl.** ..... **09-07**

(52) **U.S. Cl.**  
USPC ..... **D9/454**; D9/436; D7/391

(58) **Field of Classification Search**

USPC ..... D7/509, 510, 511, 624.1, 387, 391, 392,  
D7/392.1, 393, 396.1, 396.2, 400;  
D9/434, 435, 439, 445, 447, 451, 454,  
D9/438, 440, 443, 452, 453; D23/259,  
D23/260, 261, 209, 210; D24/162, 127;  
D12/202, 604-607; D28/76, 85, 91.1  
CPC ..... B65D 43/09; B65D 43/16; B65D 25/04;  
B65D 1/24; B65D 2543/00046; B65D  
2543/00092; B65D 43/0212; B65D  
43/0208; B65D 51/1694; B65D 23/00;  
B65D 47/00; B65D 47/06; B65D 47/08;  
B65D 41/00; B65D 41/38; B65D 41/56;  
B65D 41/62; B65D 2585/56; B65D

(Continued)

(56) **References Cited**

U.S. PATENT DOCUMENTS

D215,705 S \* 10/1969 Ritsi ..... D9/453  
D282,340 S \* 1/1986 Lam ..... D7/387

(Continued)

FOREIGN PATENT DOCUMENTS

KR 300597101.0000 \* 4/2011  
KR 300853065.0000 \* 5/2016

OTHER PUBLICATIONS

Flavia Airtight Food Storage Containers: Site Visited [Jan. 1, 2020,  
online]. Available from Internet URL: [https://vacuumsaver.com/  
products/airtight-food-storage-containers/](https://vacuumsaver.com/products/airtight-food-storage-containers/).\*

(Continued)

*Primary Examiner* — Catherine S Posthauer

(74) *Attorney, Agent, or Firm* — Stevens & Showalter  
LLP

(57) **CLAIM**

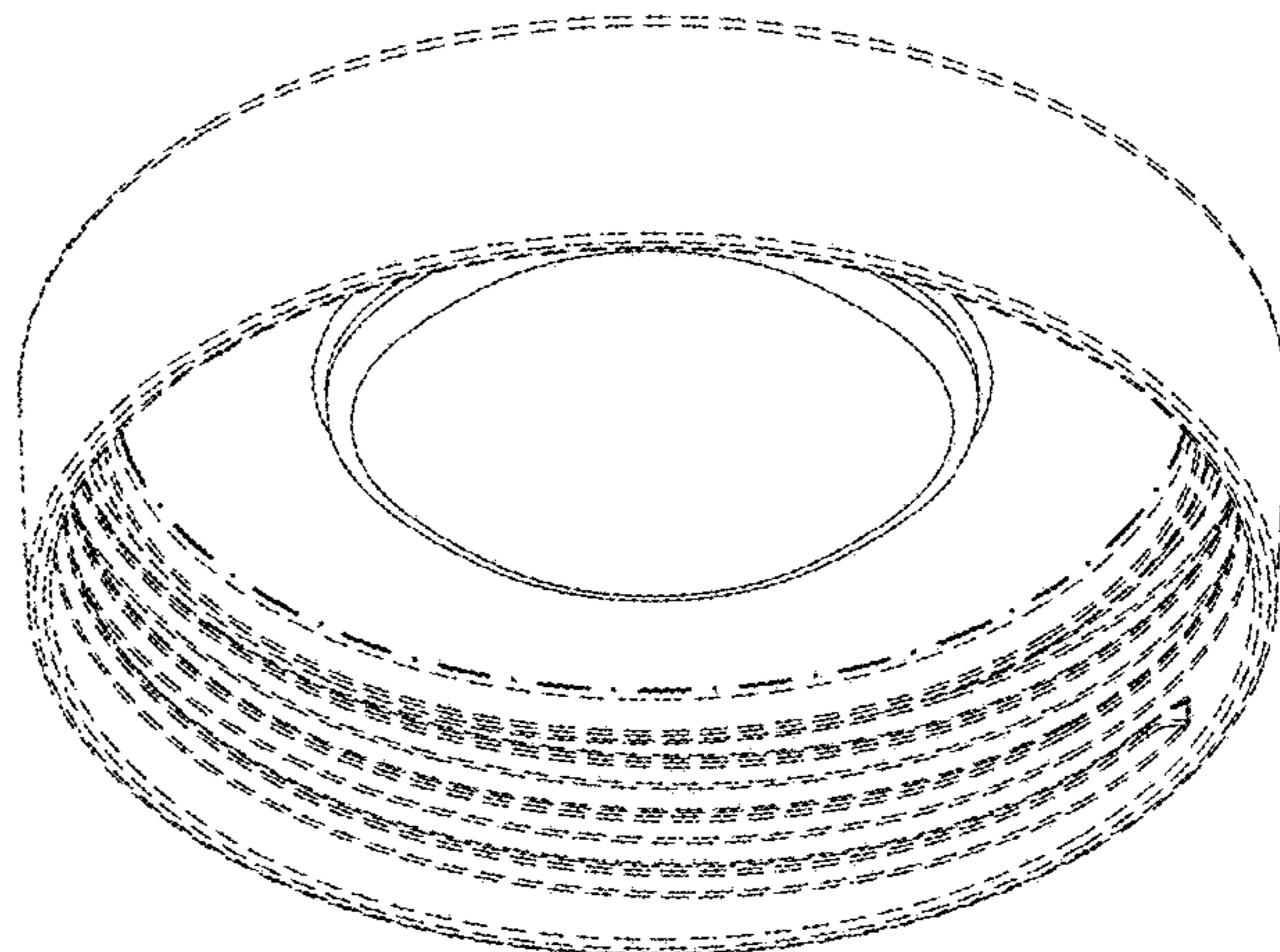
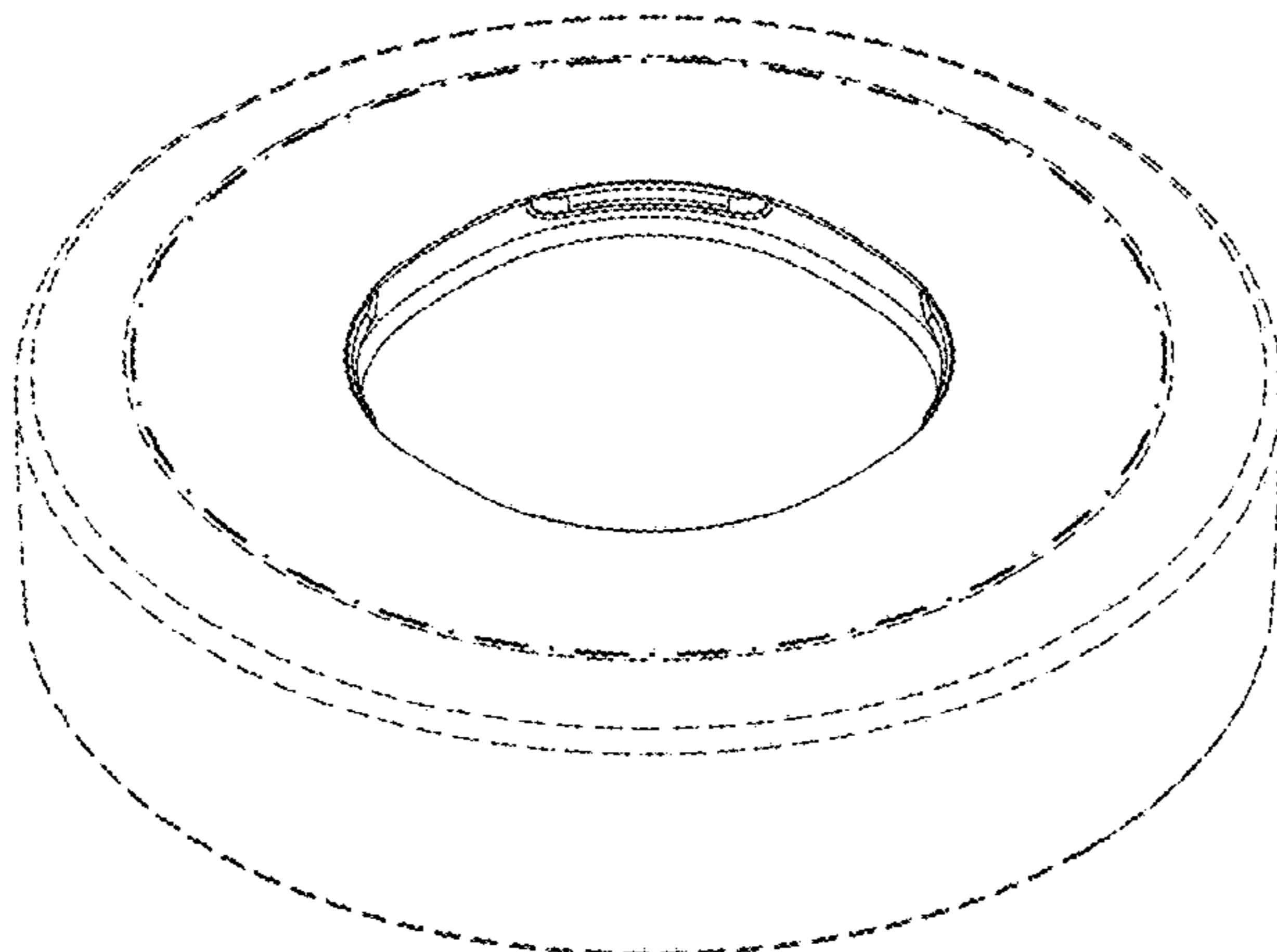
The ornamental design for a container lid, as shown and  
described.

**DESCRIPTION**

FIG. 1 is a front perspective view from above of a container  
lid;  
FIG. 2 is a rear perspective view thereof from below;  
FIG. 3 is a top plan view thereof;  
FIG. 4 is a bottom plan view thereof;  
FIG. 5 is a front elevation view thereof;  
FIG. 6 is a rear elevation view thereof;  
FIG. 7 is left side elevation view thereof; and,  
FIG. 8 is a right side elevation view thereof.

The broken lines shown in the drawings represent unclaimed  
subject matter and form no part of the claimed design. The  
dot-dash lines in the drawings depict boundary lines that  
represent a boundary. The claimed subject matter extends to  
the boundary but does not include the boundary.

**1 Claim, 4 Drawing Sheets**



(58) **Field of Classification Search**

CPC ..... 2585/545; B65D 1/00; B65D 1/02; B65D  
1/10; B65D 1/46; A61J 1/00; A61J  
1/1412; A61J 1/02

See application file for complete search history.

(56) **References Cited**

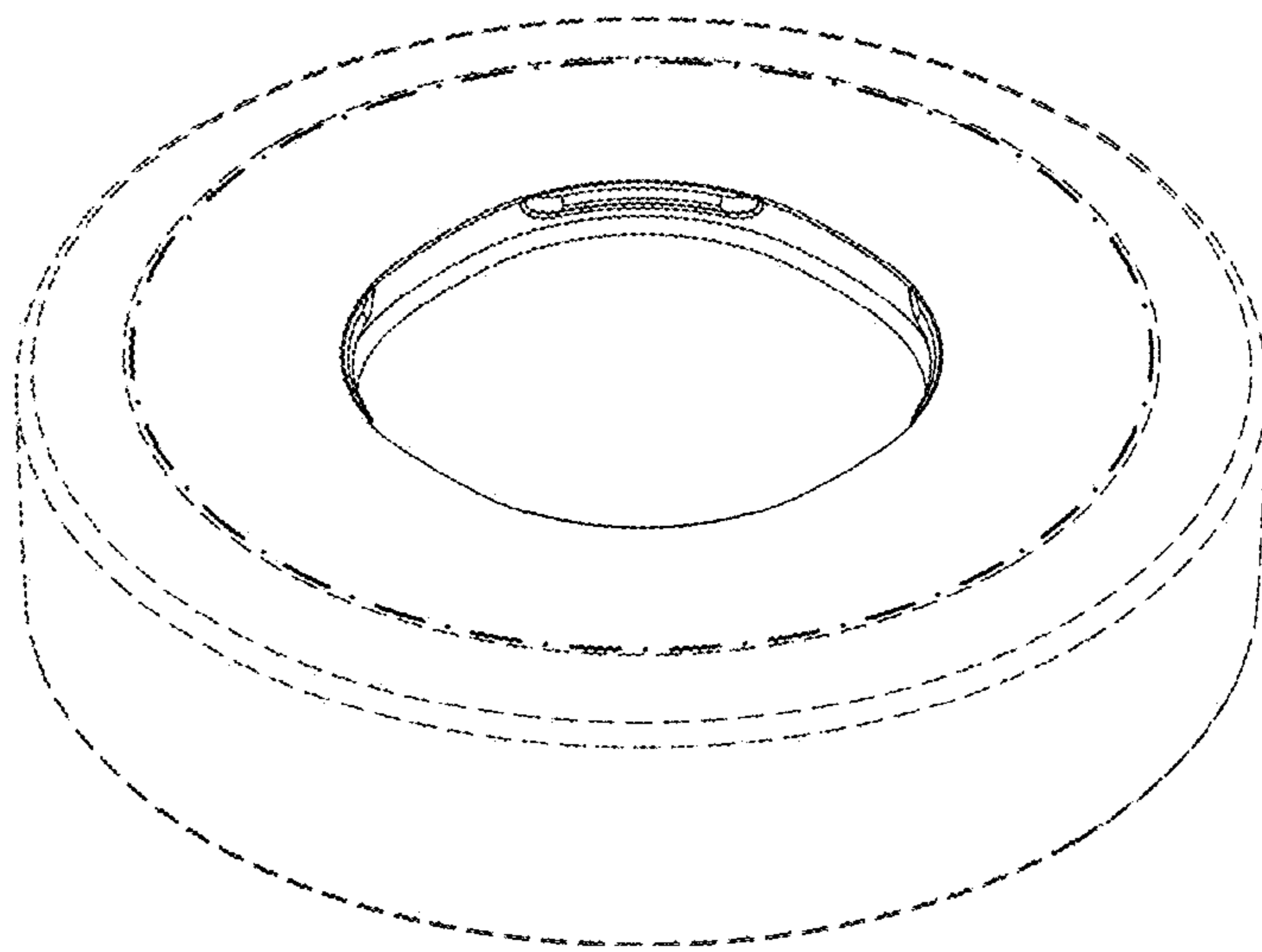
U.S. PATENT DOCUMENTS

D346,433	S	*	4/1994	Cooper	.....	D23/259
D481,312	S	*	10/2003	Martin	.....	D9/435
D502,052	S	*	2/2005	Meade	.....	D7/388
D516,911	S	*	3/2006	Bloom	.....	D9/453
D562,683	S	*	2/2008	Sweeton	.....	D9/454
D614,439	S	*	4/2010	Olivari	.....	D7/392.1
D658,740	S	*	5/2012	Ickes	.....	D23/209
D680,369	S	*	4/2013	Starks	.....	D7/392.1
D734,436	S	*	7/2015	Raether	.....	D23/259
D813,355	S	*	3/2018	Weatherby	.....	D23/259
D836,440	S	*	12/2018	Girins	.....	D9/453
D872,859	S	*	1/2020	Krebs	.....	D24/127
D877,558	S	*	3/2020	Dorfmueller	.....	D7/391
D893,244	S	*	8/2020	Marina	.....	D7/392.1
2006/0185448	A1	*	8/2006	Sakal	.....	C12M 45/22 73/863

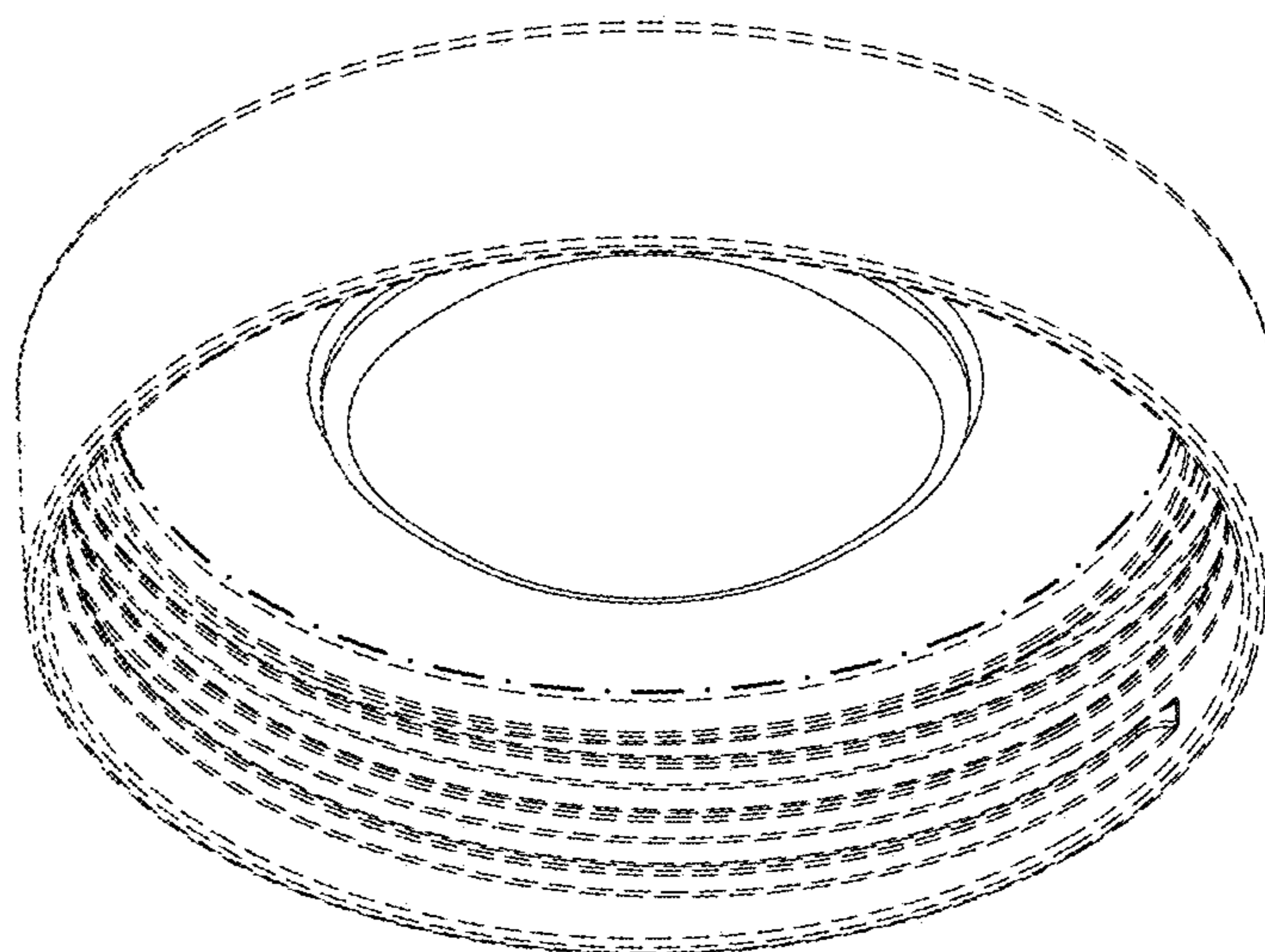
OTHER PUBLICATIONS

Match Ups Glass Storer: Announced Apr. 12, 2018 [online]. Site  
Visited [Jan. 1, 2020], Available from Internet URL: [https://www.  
decor.com.au/product/match-ups-glass-storer-round-500ml/](https://www.decor.com.au/product/match-ups-glass-storer-round-500ml/).\*

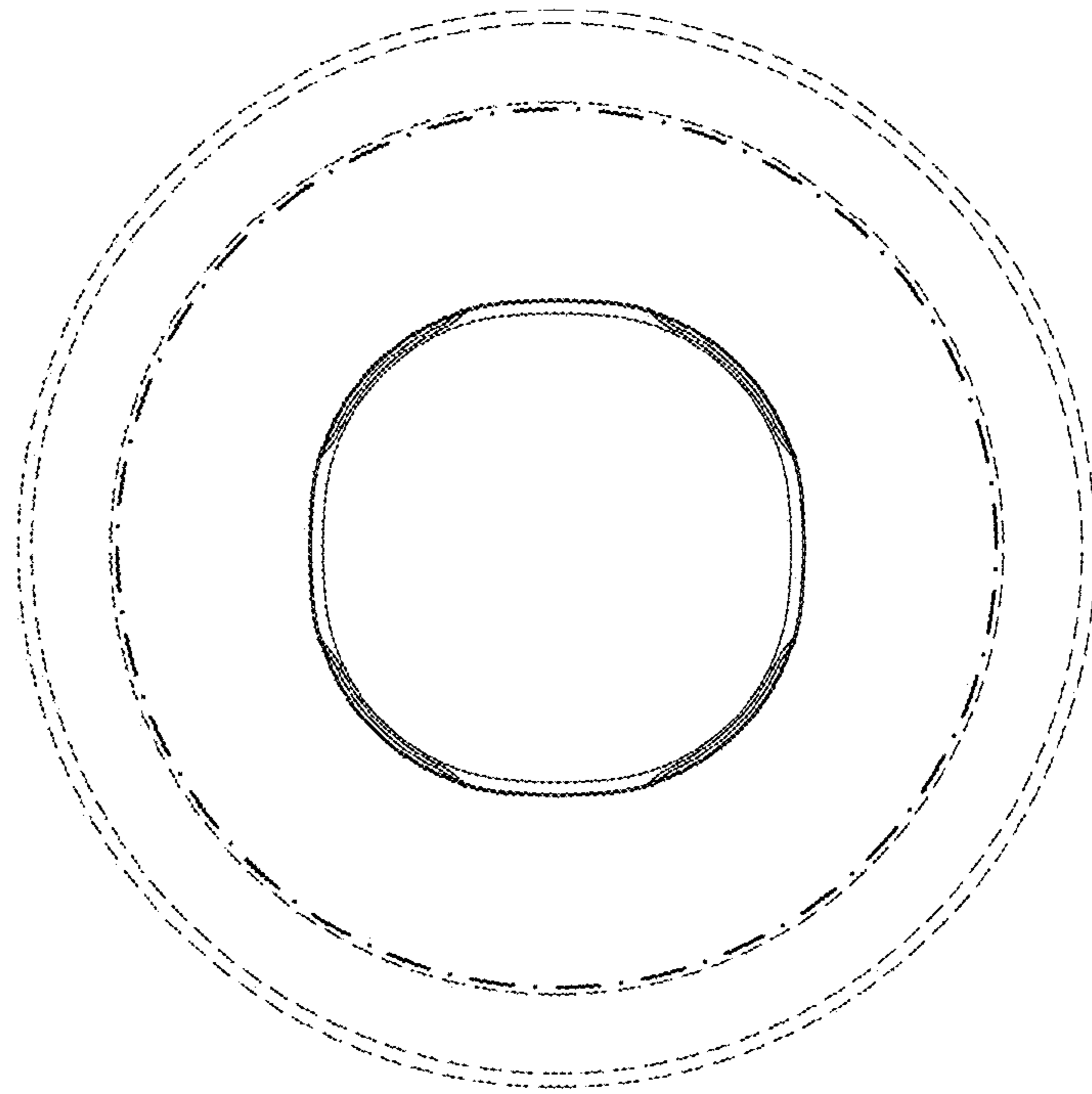
\* cited by examiner



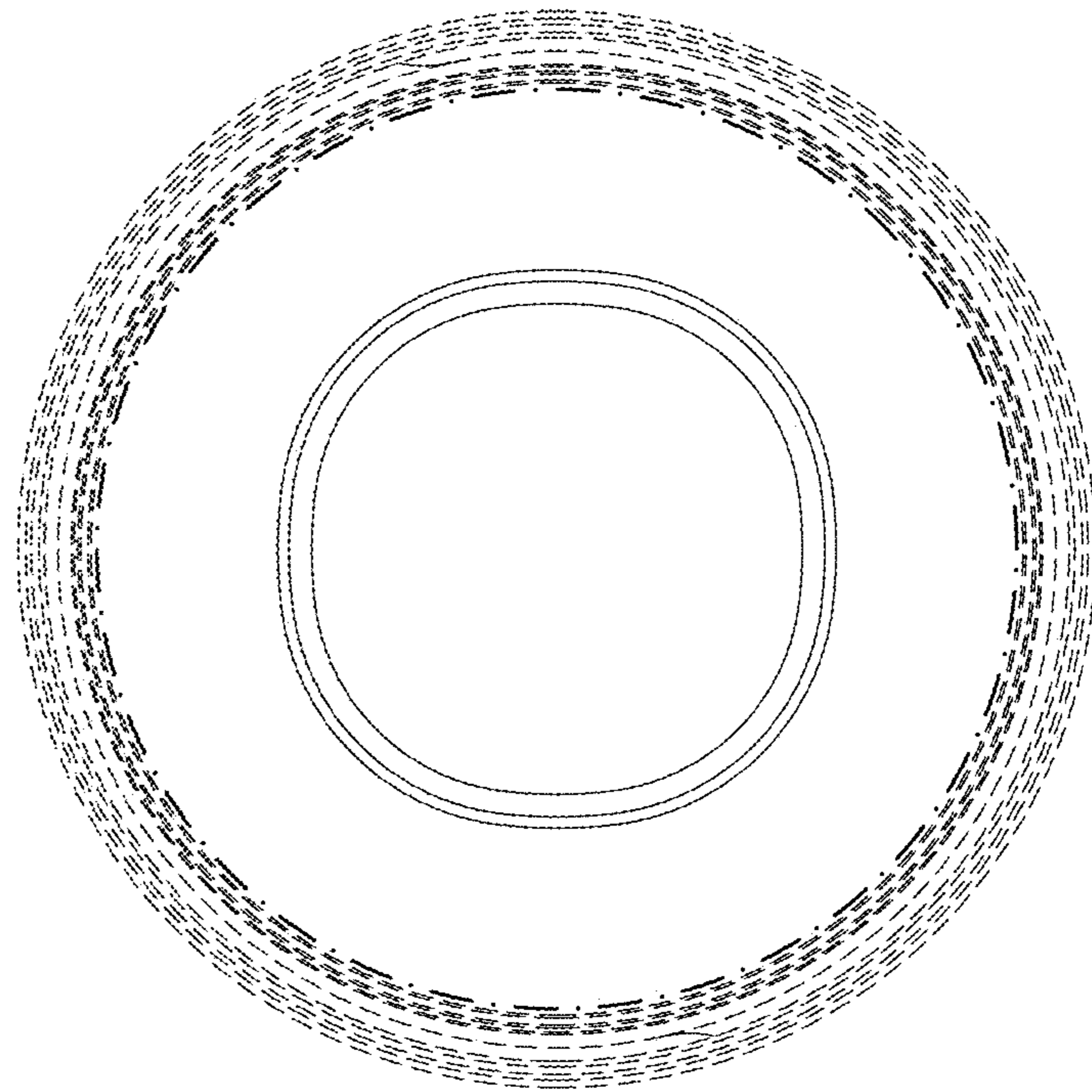
**Figure 1**



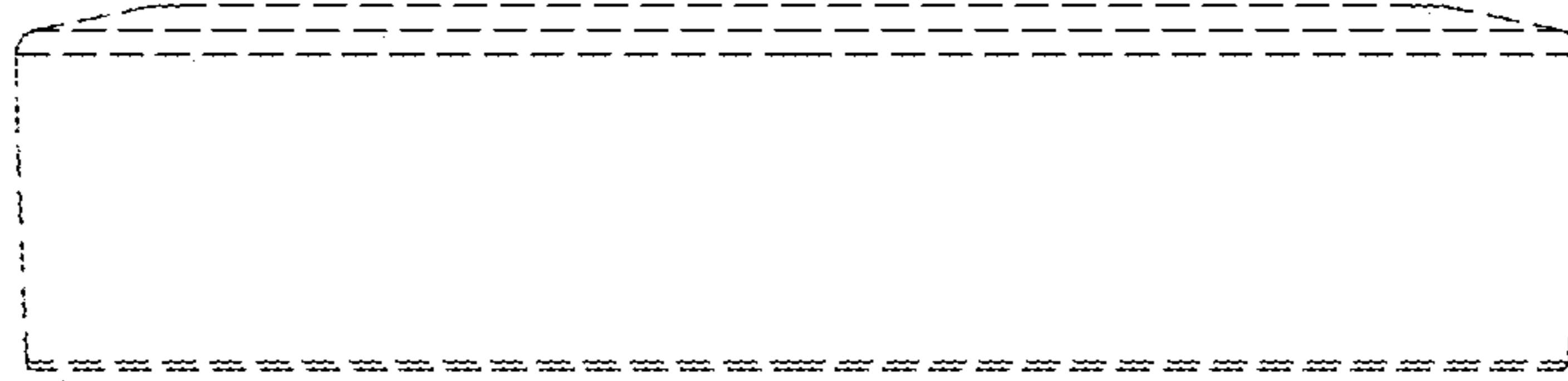
**Figure 2**



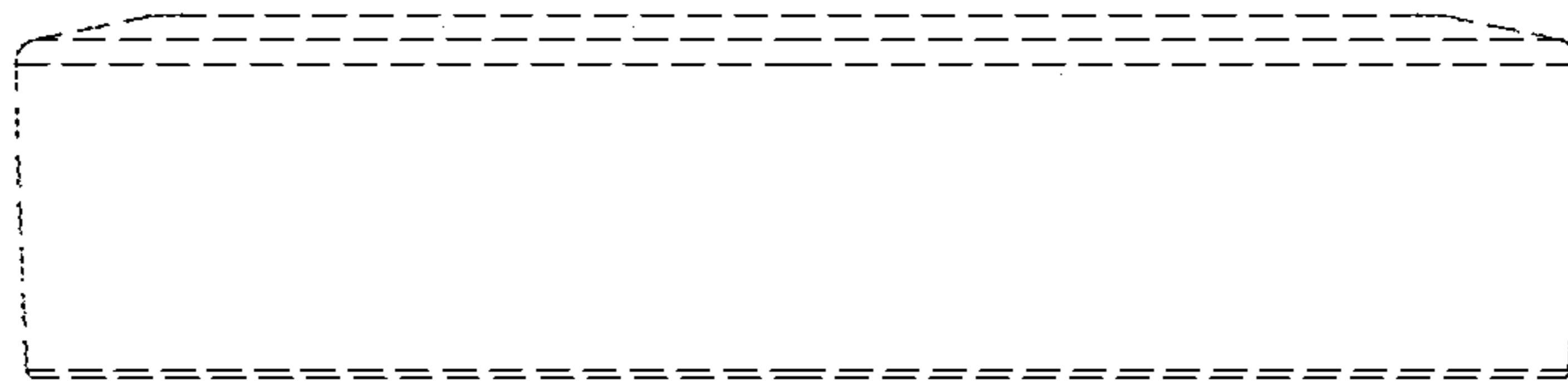
**Figure 3**



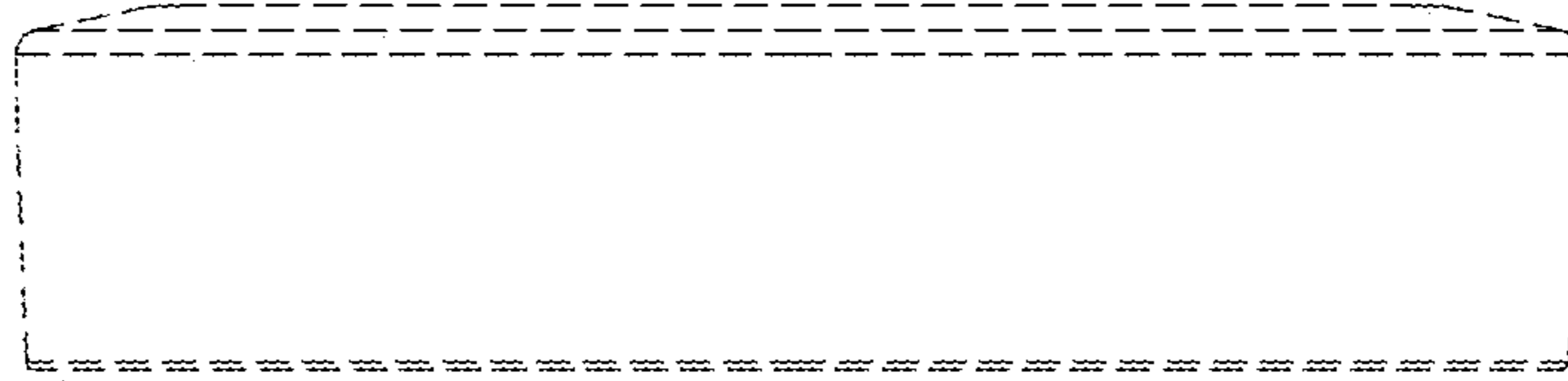
**Figure 4**



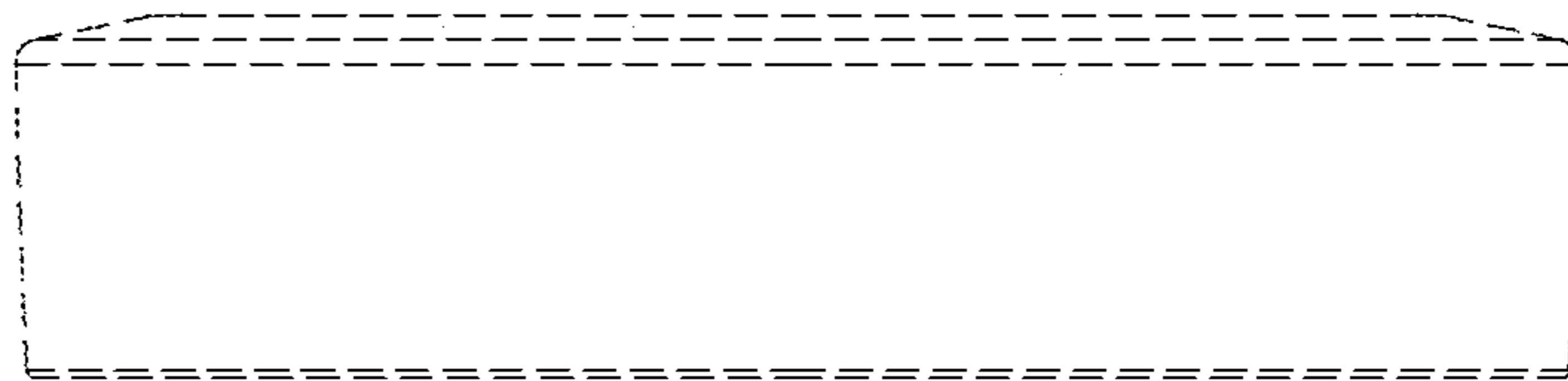
**Figure 5**



**Figure 6**



**Figure 7**



**Figure 8**