



US00D926575S

(12) **United States Design Patent**
Yamada

(10) **Patent No.:** **US D926,575 S**
(45) **Date of Patent:** **** Aug. 3, 2021**

(54) **LID FOR A CUP**
(71) Applicant: **Kikuo Yamada**, Tokyo (JP)
(72) Inventor: **Kikuo Yamada**, Tokyo (JP)
(**) Term: **15 Years**

3,743,133 A * 7/1973 Rathbun B65D 43/021
220/781
D229,038 S * 11/1973 Schutz D9/447
3,831,798 A * 8/1974 Rowe B65D 25/32
215/256
3,977,559 A * 8/1976 Lombardi B65D 43/0256
220/712

(Continued)

(21) Appl. No.: **29/698,514**
(22) Filed: **Jul. 17, 2019**

(30) **Foreign Application Priority Data**

Jan. 18, 2019 (JP) 2019000895

(51) **LOC (13) Cl.** **09-07**

(52) **U.S. Cl.**
USPC **D9/454**

(58) **Field of Classification Search**
USPC D3/202; D6/542, 550; D7/509-511,
D7/550.1, 601, 619.1, 624.1, 635, 354,
D7/387, 391, 392, 392.1, 396.1, 396.2,
D7/396.6; D9/716, 719, 529, 434, 435,
D9/436, 438, 439, 440, 445, 447, 448,
D9/452, 454, 455, 417, 683, 763, 772,
D9/503, 516, 549; D23/206, 208, 209,
D23/210, 249, 259, 260, 261, 303;
D28/91.1

CPC .. B65D 43/0212; B65D 43/0218; B65D 1/36;
B65D 51/28; B65D 2543/00046; B65D
2543/00027; B65D 2543/00092; B65D
2543/00296; B65D 2543/00351; B65D
2543/00537; B65D 2543/00731; B65D
47/2018; B65D 47/06; B65D 51/24;
A47G 21/06; A47G 21/00; A47G 19/00;
A47G 19/02

See application file for complete search history.

(56) **References Cited**

U.S. PATENT DOCUMENTS

1,953,933 A * 4/1934 Gundelach A47G 23/0625
D7/543
3,371,847 A * 3/1968 Stengle, Jr. B65D 43/0218
229/125.05

OTHER PUBLICATIONS

Paper Lid: Announced Jan. 4, 2019 [online]. Site Visited [Aug. 29, 2020], Available from Internet URL: http://www-g-mark-org-product.elasticbeanstalk.com/award/describe/49216?locale=zh_CN.*

(Continued)

Primary Examiner — Catherine S Posthauer
(74) *Attorney, Agent, or Firm* — Young Basile Hanlon & MacFarlane, P.C.

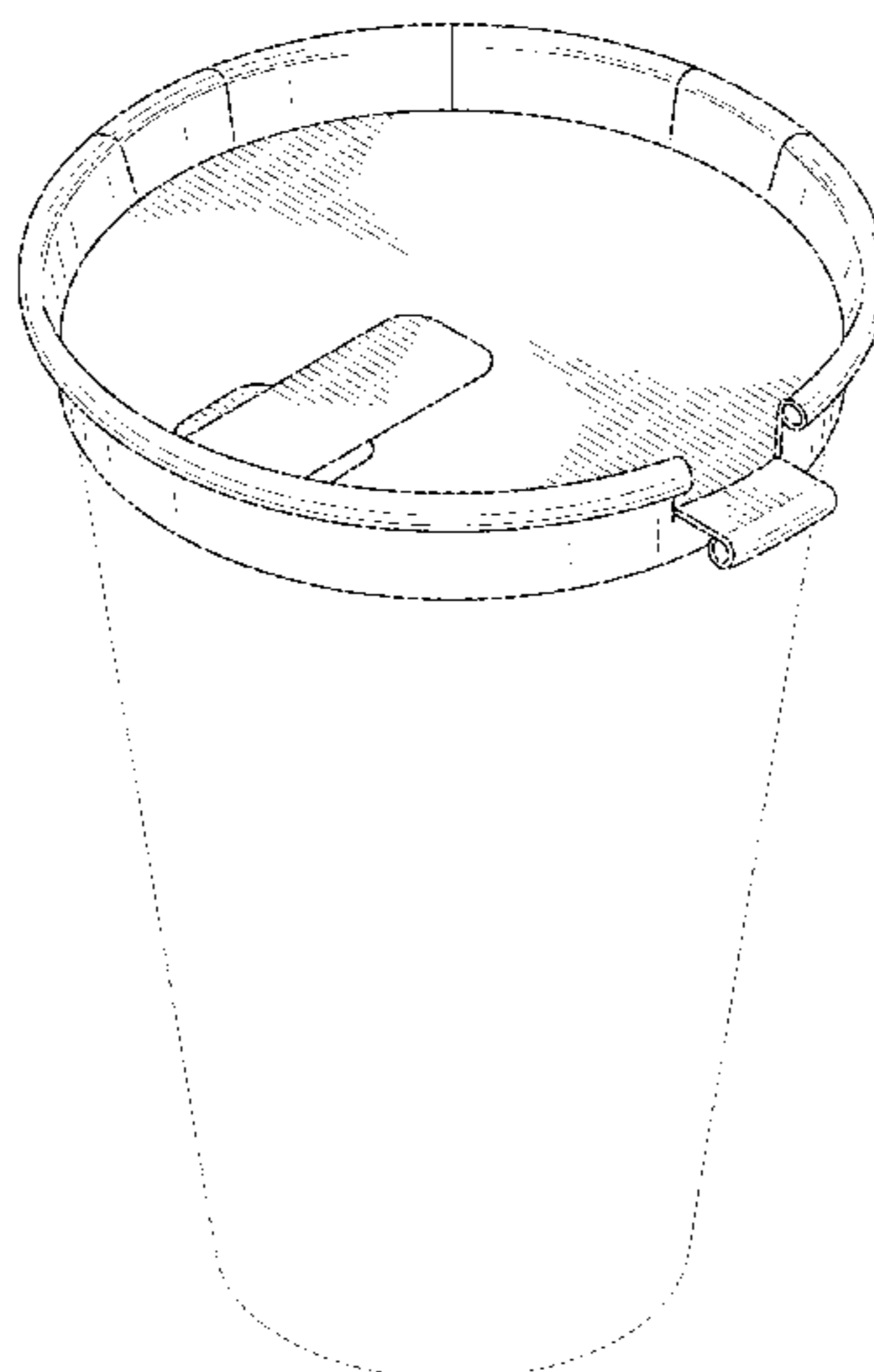
(57) **CLAIM**

The ornamental design for a lid for a cup, as shown and described.

DESCRIPTION

FIG. 1 is a front view of a lid for a cup, showing our new design;
FIG. 2 is a rear view thereof;
FIG. 3 is a top view thereof;
FIG. 4 is a right view thereof;
FIG. 5 is a left view thereof; and,
FIG. 6 is a perspective view thereof, shown in a position of use with an exemplary cup.
The evenly broken lines in the drawings represent exemplary environmental subject matter of a cup. None of the broken lines form part of the claimed design.

1 Claim, 6 Drawing Sheets



(56)

References Cited

U.S. PATENT DOCUMENTS

4,090,004 A * 5/1978 Tebbutt B65D 43/022
428/66.3

4,767,019 A 8/1988 Horner

D311,140 S * 10/1990 Nelson D9/454

D404,304 S * 1/1999 Kick D9/447

D405,692 S * 2/1999 Johnson D9/443

5,897,019 A 4/1999 Stropkay

5,906,288 A * 5/1999 Dwinell B65D 47/06
220/254.2

D419,448 S * 1/2000 Kick D9/438

D433,597 S * 11/2000 Fradkin D7/392.1

D474,068 S 5/2003 Fujii et al.

D525,826 S * 8/2006 Kugler D7/392.1

D570,213 S * 6/2008 Newman D9/447

D615,861 S * 5/2010 Watts D9/447

D631,284 S 1/2011 Fuller

D696,113 S 12/2013 Stein

D696,940 S 1/2014 Hale et al.

D767,329 S 9/2016 Mock

D786,673 S * 5/2017 Moffat D9/443

D795,007 S * 8/2017 Plassmeyer D7/392.1

D807,746 S 1/2018 Fleming

D816,500 S * 5/2018 Torrison D9/454

D828,158 S * 9/2018 Manis D9/436

D843,211 S * 3/2019 Ghorbani D9/443

D845,064 S * 4/2019 Mulhauser D7/392.1

10,479,575 B2 * 11/2019 Danenberg A23K 40/30

D880,224 S * 4/2020 Wiggins D7/392

2009/0206089 A1 * 8/2009 Mueller B65D 51/28
220/522

2010/0288827 A1 * 11/2010 Booth B65D 21/022
229/404

2012/0318816 A1 * 12/2012 Lin B65D 43/0212
220/788

2014/0042158 A1 * 2/2014 Witkowski B65D 43/0212
220/4.01

2016/0058223 A1 3/2016 Savenok

2018/0206660 A1 * 7/2018 Heiman A47G 19/2272

2019/0375560 A1 * 12/2019 Tobias B65D 21/0233

2020/0128982 A1 * 4/2020 Tseng A47G 19/2266

OTHER PUBLICATIONS

Paper Lid: Announced 2019 [online]. Site Visited [Aug. 10, 2020], Available from Internet URL: <https://www.g-mark.org/award/describe/49216?locale=en>.*

U.S. Appl. No. 29/695,186, titled "Lid for a Cup," filed Jun. 17, 2019. Inventor Kikuo Yamada.

U.S. Appl. No. 29/698,511, titled "Lid for a Cup," filed Jul. 17, 2019. Inventor Kikuo Yamada.

Paper Lid: Announced Jan. 4, 2019 (online), Site Visited (Aug. 29, 2020). Available from Internet URL: http://www.g-mark-org-products.elasticbeanstalk.com/award/describe/49216?locale=zh_CN.

Paper Lid: Announced 2019 [online]. Site Visited [Aug. 10, 2020]. Available from Internet URL: <https://www.g-ark.org/award/describe/49216?locale=en>.

Non-Final Office Action in U.S. Appl. No. 29/698,511, dated Sep. 30, 2020.

Non-Final Office Action in U.S. Appl. No. 29/695,186, dated Dec. 15, 2020.

Restriction Requirement in U.S. Appl. No. 29/695,186, dated Sep. 9, 2020.

* cited by examiner

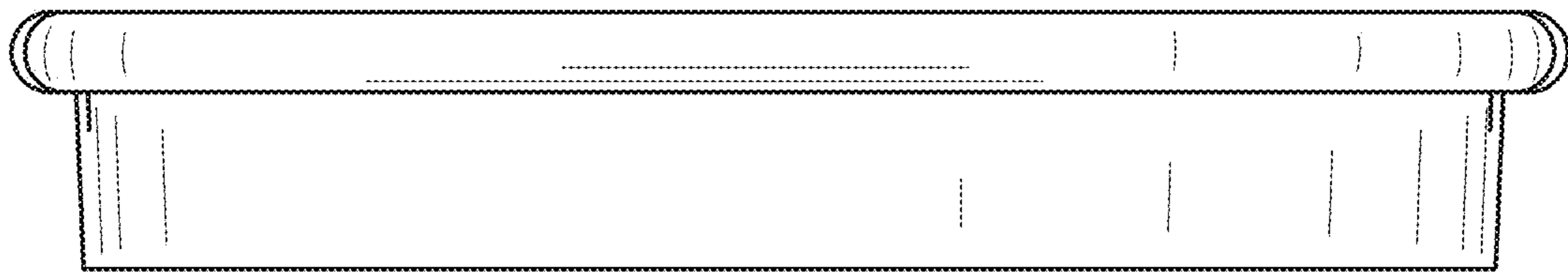


FIG. 1

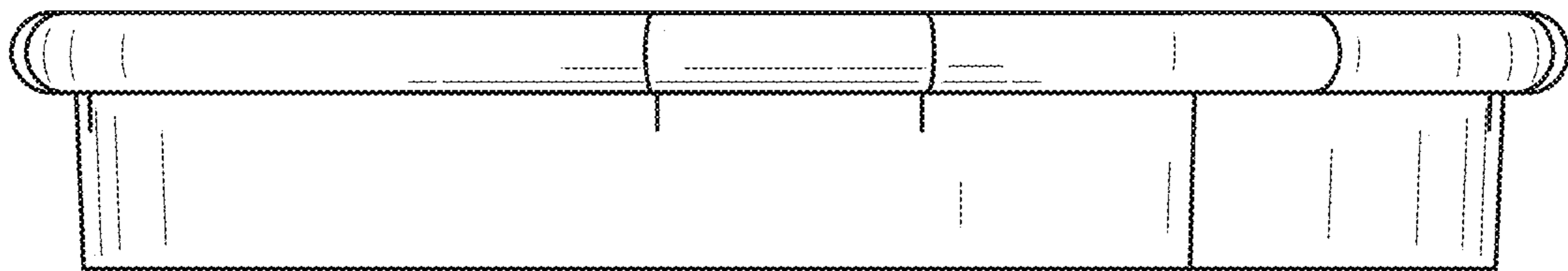


FIG. 2

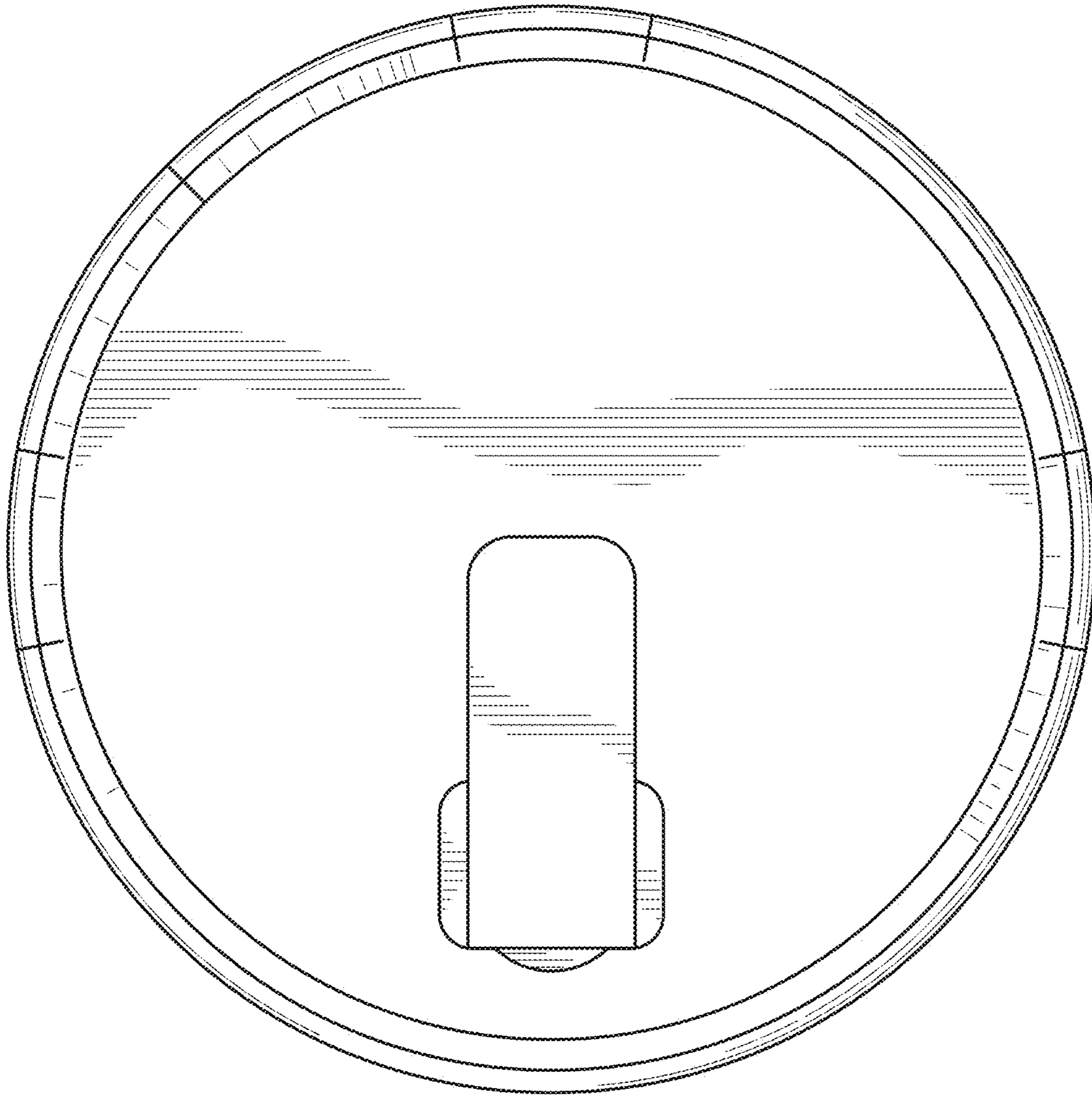


FIG. 3

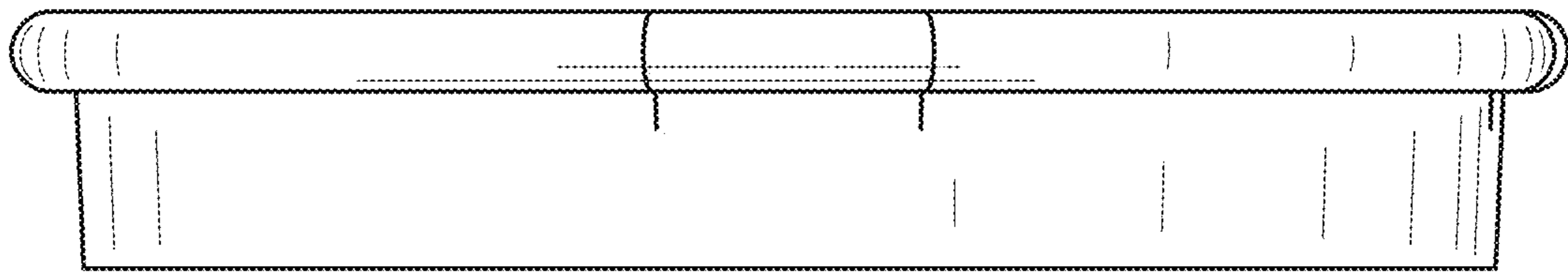


FIG. 4

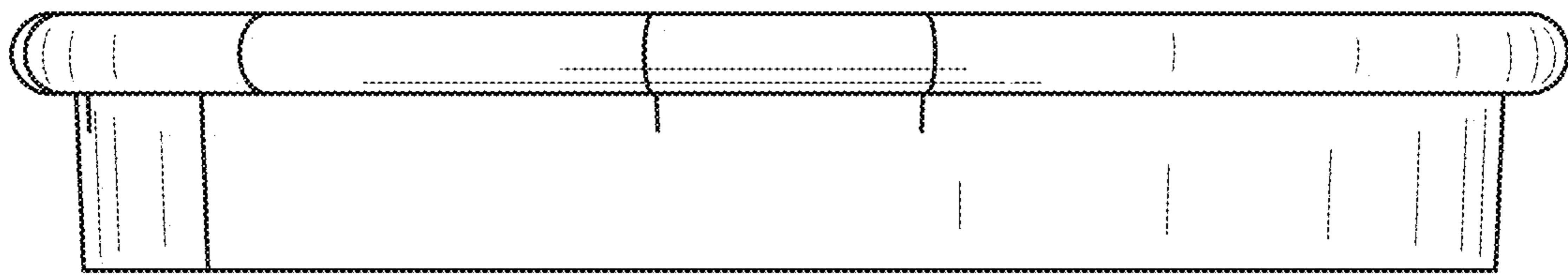


FIG. 5

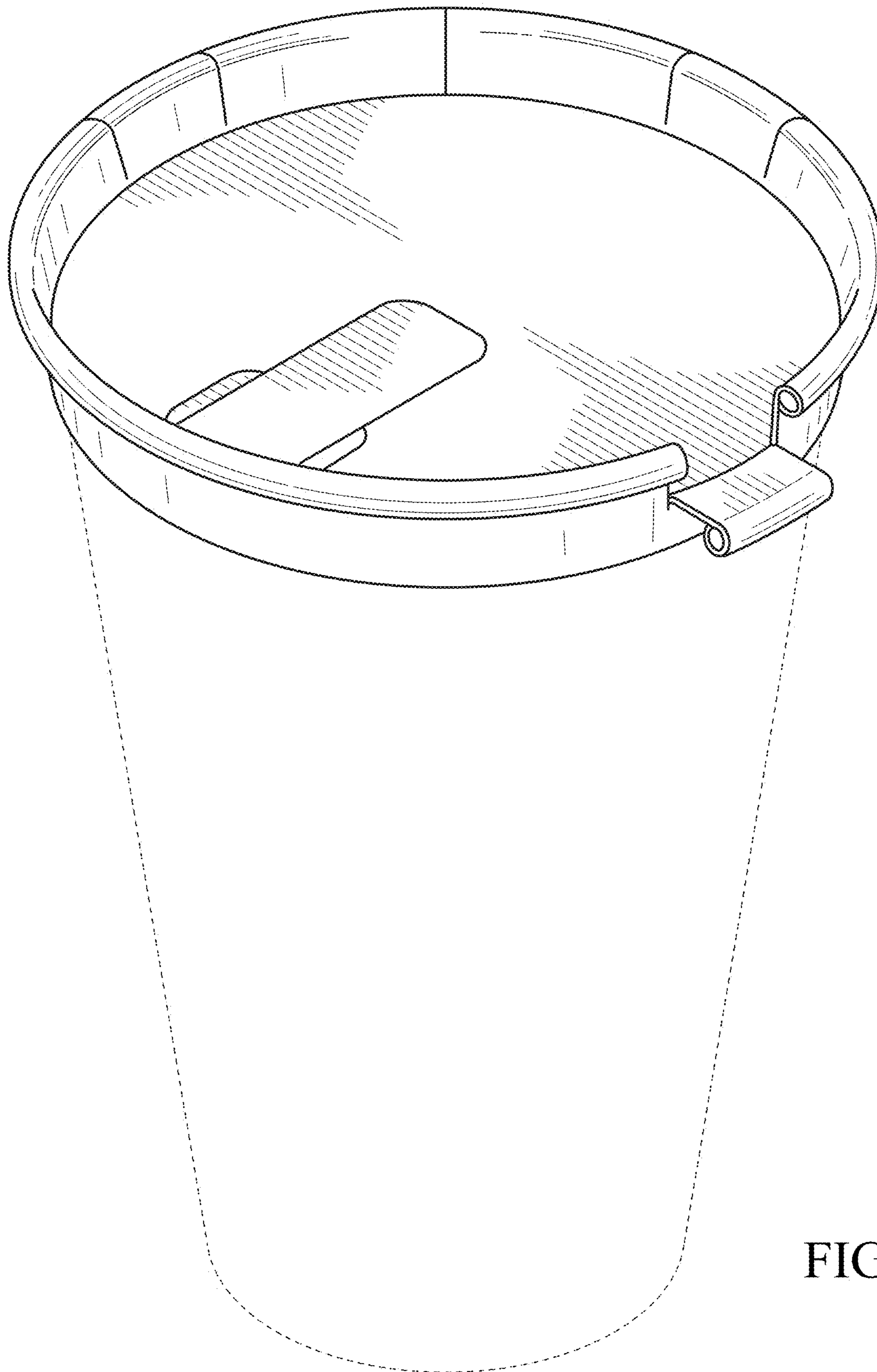


FIG. 6