



US00D926574S

(12) **United States Design Patent**  
**Yamada**

(10) **Patent No.:** **US D926,574 S**  
(45) **Date of Patent:** **\*\* Aug. 3, 2021**

(54) **LID FOR A CUP**  
(71) Applicant: **Kikuo Yamada**, Tokyo (JP)  
(72) Inventor: **Kikuo Yamada**, Tokyo (JP)  
(\*\*) Term: **15 Years**

3,743,133 A \* 7/1973 Rathbun ..... B65D 43/021  
220/781  
D229,038 S \* 11/1973 Schutz ..... D9/447  
3,831,798 A \* 8/1974 Rowe ..... B65D 25/32  
215/256  
3,977,559 A \* 8/1976 Lombardi ..... B65D 43/0256  
220/712

(Continued)

(21) Appl. No.: **29/698,511**  
(22) Filed: **Jul. 17, 2019**

(30) **Foreign Application Priority Data**

Jan. 18, 2019 (JP) ..... 2019-000894

(51) **LOC (13) Cl.** ..... **09-07**

(52) **U.S. Cl.**  
USPC ..... **D9/454**

(58) **Field of Classification Search**  
USPC ..... D3/202; D6/542, 550; D7/509-511,  
D7/550.1, 601, 619.1, 624.1, 635, 354,  
D7/387, 391, 392, 392.1, 396.1, 396.2,  
D7/396.6; D9/716, 719, 529, 434, 435,  
D9/436, 438, 439, 440, 445, 447, 448,  
D9/452, 454, 455, 417, 683, 763, 772,  
D9/503, 516, 549; D23/206, 208, 209,  
D23/210, 249, 259, 260, 261, 303;  
D28/91.1

CPC .. B65D 43/0212; B65D 43/0218; B65D 1/36;  
B65D 51/28; B65D 2543/00046; B65D  
2543/00027; B65D 2543/00092; B65D  
2543/00296; B65D 2543/00351; B65D  
2543/00537; B65D 2543/00731; B65D  
47/2018; B65D 47/06; B65D 51/24;  
A47G 21/06; A47G 21/00; A47G 19/00;  
A47G 19/02

See application file for complete search history.

(56) **References Cited**

**U.S. PATENT DOCUMENTS**

1,953,933 A \* 4/1934 Gundelach ..... A47G 23/0625  
D7/543  
3,371,847 A \* 3/1968 Stengle, Jr. .... B65D 43/0218  
229/125.05

**OTHER PUBLICATIONS**

Paper Lid: Announced Jan. 4, 2019 [online]. Site Visited [Aug. 29, 2020], Available from Internet URL: [http://www-g-mark-org-product.elasticbeanstalk.com/award/describe/49216?locale=zh\\_CN](http://www-g-mark-org-product.elasticbeanstalk.com/award/describe/49216?locale=zh_CN).\*

(Continued)

*Primary Examiner* — Catherine S Posthauer  
(74) *Attorney, Agent, or Firm* — Young Basile Hanlon & MacFarlane, P.C.

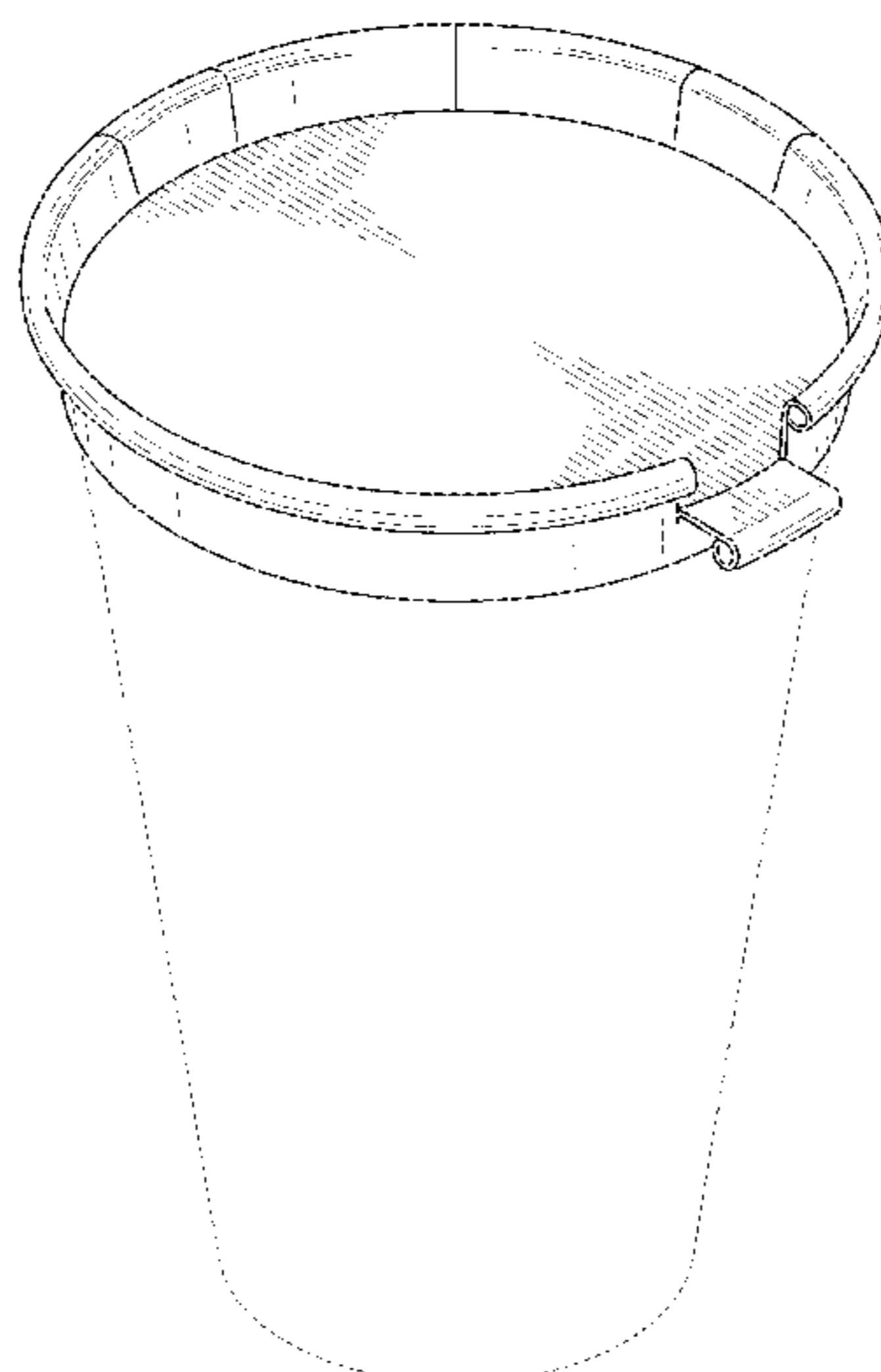
(57) **CLAIM**

The ornamental design for a lid for a cup, as shown and described.

**DESCRIPTION**

FIG. 1 is a front view of a lid for a cup showing our new design;  
FIG. 2 is a rear view thereof;  
FIG. 3 is a top view thereof;  
FIG. 4 is a right view thereof;  
FIG. 5 is a left view thereof; and,  
FIG. 6 is a perspective view thereof, shown in a position of use with an exemplary cup.  
The evenly broken lines in the drawings represent exemplary environmental subject matter of a cup. None of the broken lines form part of the claimed design.

**1 Claim, 6 Drawing Sheets**



(56)

References Cited

U.S. PATENT DOCUMENTS

4,090,004 A \* 5/1978 Tebbutt ..... B65D 43/022  
428/66.3

4,767,019 A 8/1988 Horner

D311,140 S \* 10/1990 Nelson ..... D9/454

D404,304 S \* 1/1999 Kick ..... D9/447

D405,692 S \* 2/1999 Johnson ..... D9/443

5,897,019 A 4/1999 Stropkay

5,906,288 A \* 5/1999 Dwinell ..... B65D 47/06  
220/254.2

D419,448 S \* 1/2000 Kick ..... D9/438

D433,597 S \* 11/2000 Fradkin ..... D7/392.1

D474,068 S 5/2003 Fujii et al.

D525,826 S \* 8/2006 Kugler ..... D7/392.1

D570,213 S \* 6/2008 Newman ..... D9/447

D615,861 S \* 5/2010 Watts ..... D9/447

D631,284 S 1/2011 Fuller

D696,113 S 12/2013 Stein

D696,940 S 1/2014 Hale et al.

D767,329 S 9/2016 Mock

D786,673 S \* 5/2017 Moffat ..... D9/443

D795,007 S \* 8/2017 Plassmeyer ..... D7/392.1

D807,746 S 1/2018 Fleming

D816,500 S \* 5/2018 Torrison ..... D9/454

D828,158 S \* 9/2018 Manis ..... D9/436

D843,211 S \* 3/2019 Ghorbani ..... D9/443

D845,064 S \* 4/2019 Mulhauser ..... D7/392.1

10,479,575 B2 \* 11/2019 Danenberg ..... A23K 40/30

D880,224 S \* 4/2020 Wiggins ..... D7/392

2009/0206089 A1 \* 8/2009 Mueller ..... B65D 51/28  
220/522

2010/0288827 A1 \* 11/2010 Booth ..... B65D 21/022  
229/404

2012/0318816 A1 \* 12/2012 Lin ..... B65D 43/0212  
220/788

2014/0042158 A1 \* 2/2014 Witkowski ..... B65D 43/0212  
220/4.01

2016/0058223 A1 3/2016 Savenok

2018/0206660 A1 \* 7/2018 Heiman ..... A47G 19/2272

2019/0375560 A1 \* 12/2019 Tobias ..... B65D 21/0233

2020/0128982 A1 \* 4/2020 Tseng ..... A47G 19/2266

OTHER PUBLICATIONS

Paper Lid: Announced 2019 [online]. Site Visited [Aug. 10, 2020], Available from Internet URL: <https://www.g-mark.org/award/describe/49216?locale=en>.\*

U.S. Appl. No. 29/695,186, titled "Lid for a Cup," filed Jun. 17, 2019. Inventor Kikuo Yamada.

U.S. Appl. No. 29/698,514, titled "Lid for a Cup," filed Jul. 17, 2019. Inventor Kikuo Yamada.

Paper Lid: Announced Jan. 4, 2019 (online), Site Visited (Aug. 29, 2020). Available from Internet URL: [http://www-g-mark-org-products.elasticbeanstalk.com/award/describe/49216?locale=zh\\_CN](http://www-g-mark-org-products.elasticbeanstalk.com/award/describe/49216?locale=zh_CN).

Paper Lid: Announced 2019 [online]. Site Visited [Aug. 10, 2020]. Available from Internet URL: <https://www.g-ark.org/award/describe/49216?locale=en>.

Non-Final Office Action in U.S. Appl. No. 29/698,514, dated Sep. 30, 2020.

Non-Final Office Action in U.S. Appl. No. 29/695,186, dated Dec. 15, 2020.

Restriction Requirement in U.S. Appl. No. 29/695,186, dated Sep. 9, 2020.

\* cited by examiner

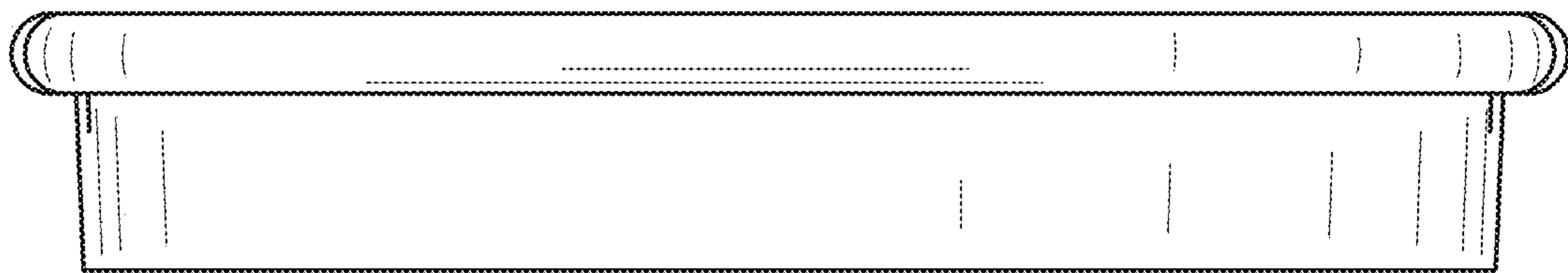


FIG. 1

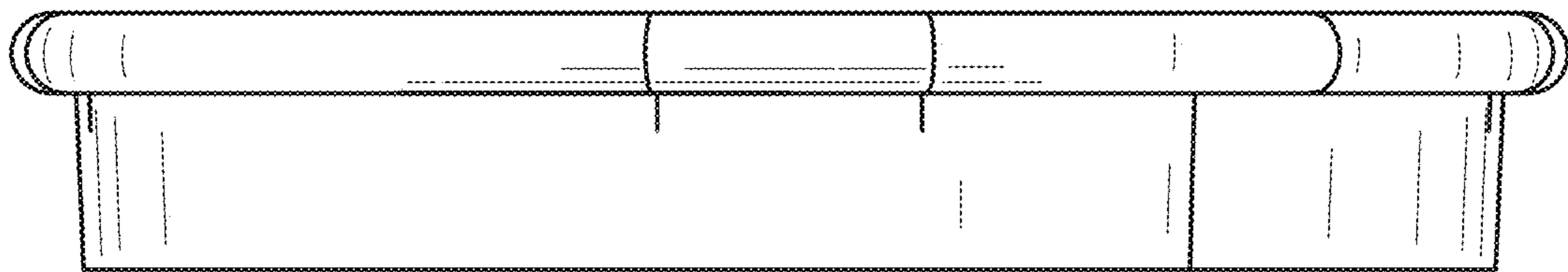


FIG. 2

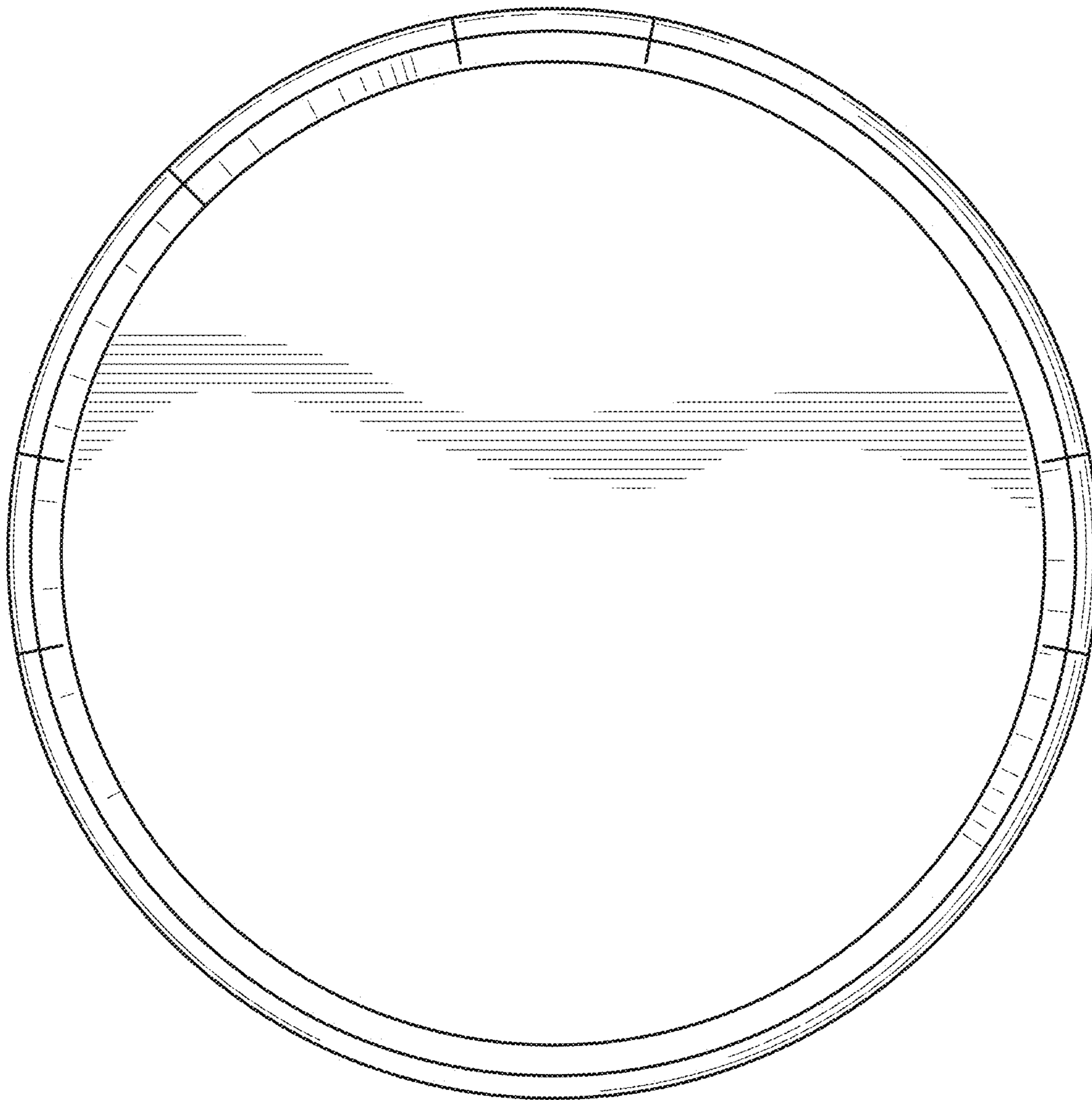


FIG. 3

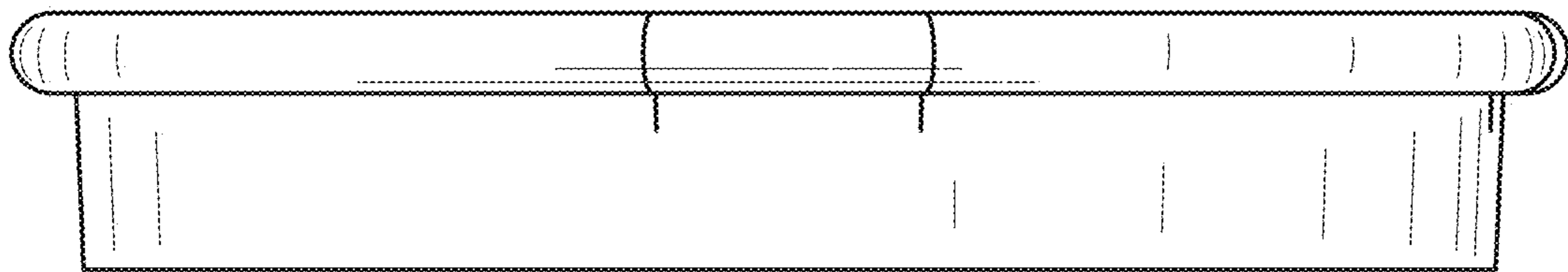


FIG. 4



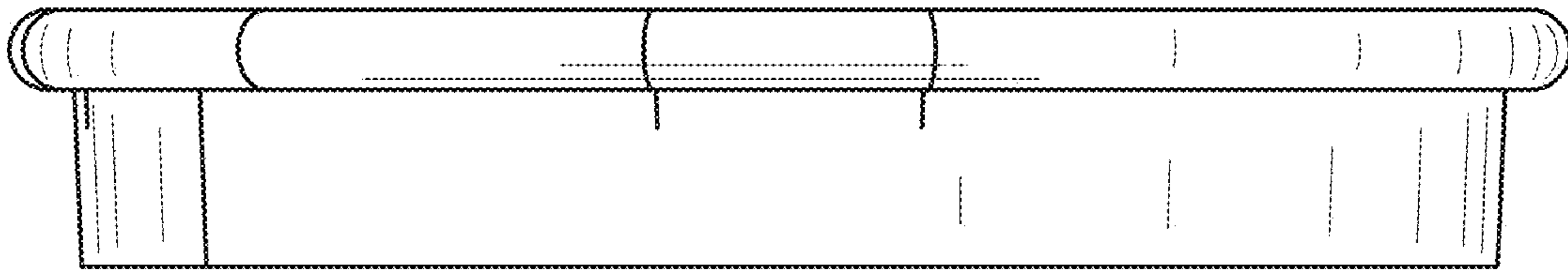


FIG. 5

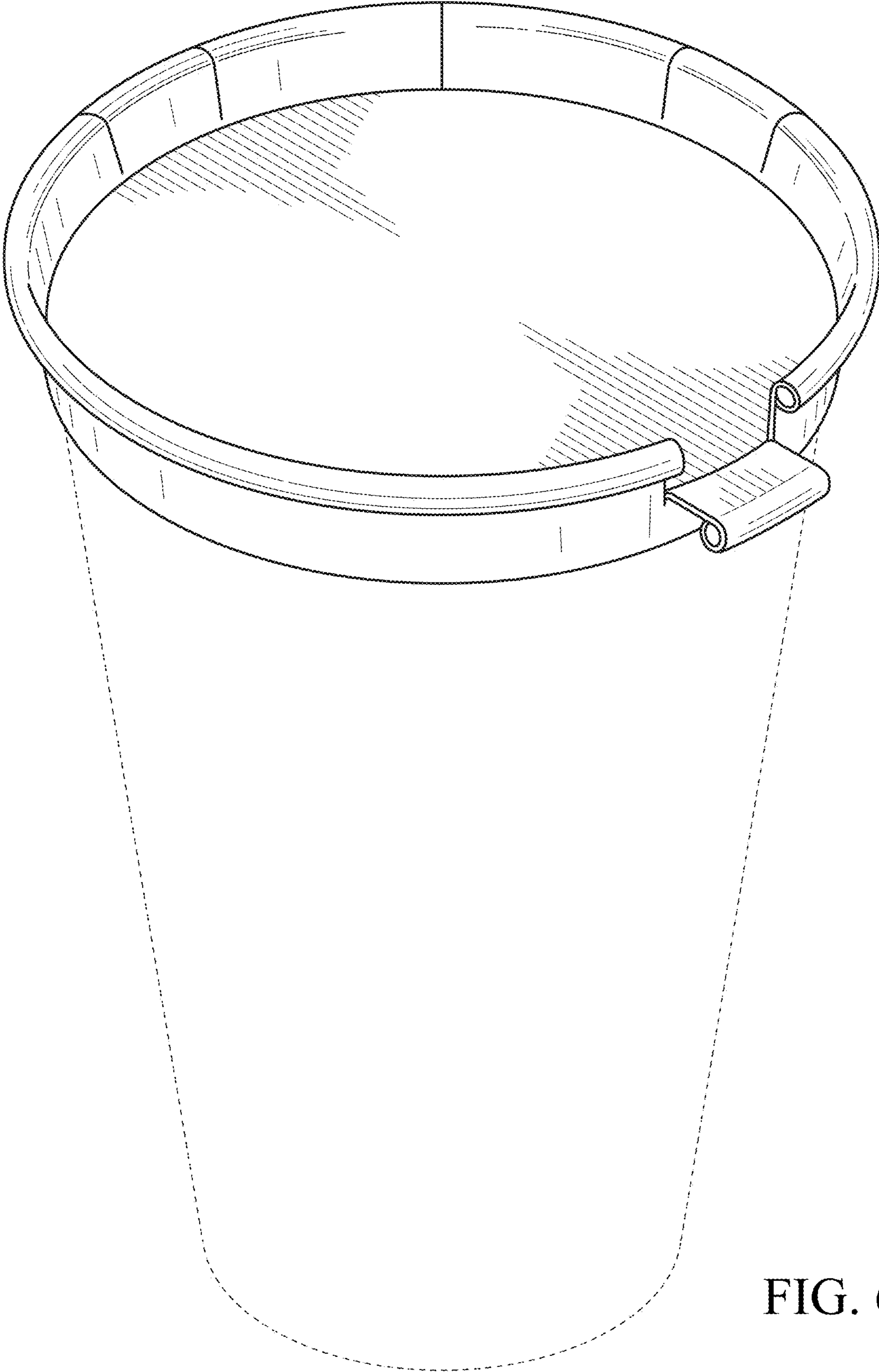


FIG. 6