



US00D926572S

(12) **United States Design Patent**
Marantis et al.

(10) **Patent No.:** **US D926,572 S**

(45) **Date of Patent:** **** Aug. 3, 2021**

(54) **STOPPER FOR BOTTLE**

(71) Applicant: **CORNERSTONE CM, INC.**, Poland, OH (US)

(72) Inventors: **Michael G. Marantis**, Poland, OH (US); **Richard A. Ponton**, New Milford, CT (US); **Joshua W. Hubbard**, New Milford, CT (US); **Jonathan P. Richards**, Derby, CT (US)

(73) Assignee: **Cornerstone CM, Inc.**, Poland, OH (US)

(**) Term: **15 Years**

(21) Appl. No.: **29/762,912**

(22) Filed: **Dec. 18, 2020**

Related U.S. Application Data

(63) Continuation of application No. 29/700,104, filed on Jul. 31, 2019, now Pat. No. Des. 908,486, which is a (Continued)

(51) **LOC (13) Cl.** **09-07**

(52) **U.S. Cl.**
USPC **D9/439**

(58) **Field of Classification Search**

USPC D9/417, 424, 428, 434, 435, 436, 439, D9/440, 447, 448, 454, 455, 456, 500, D9/502-504, 516, 519, 529, 549, 558, D9/715; D23/207-209, 233-237, 249, D23/259.2, 262-266, 268, 269; D24/121, D24/127, 129, 194, 196; D21/386, 710; D11/222; D13/133, 154, 171; D10/108, D10/116.1; D8/397, 399; D32/32, 33; D3/203.2

CPC B65C 11/02; B65B 31/00; B65B 7/28; A61M 1/0003; A61M 1/0011; A61J 1/1418; A61J 1/14; A61J 1/1412; B65D 81/2038; B65D 81/20; B65D 85/804; B65D 25/082; B65D 1/00; B65D 1/10; B65D 23/00; B65D 81/3211; B65D

2501/00; B65D 2501/0009; B65D 43/0231; B65D 53/02; F16L 11/00; F16L 25/01; F16L 17/10; A47J 31/407; A47J 31/00; B67D 3/0019; A23L 2/56; A01G 31/02; A01G 9/0293

See application file for complete search history.

(56) **References Cited**

U.S. PATENT DOCUMENTS

1,189,465 A 7/1916 Mayo
2,276,421 A 3/1942 Colin
(Continued)

OTHER PUBLICATIONS

Red Plug Stoppers for Serum Glass Vials: Site Visited [Mar. 27, 2021], Available from Internet URL: https://www.berlinpackaging.com/1455c01-red-plug-stoppers-for-serum-glass-vials/?promo=shopping&gclid=CjwKCAjwr_uCBhAFEiwAX8YJgVN6wD%E2%80%A6.*

(Continued)

Primary Examiner — Catherine S Posthauer

(74) *Attorney, Agent, or Firm* — Tucker Ellis LLP

(57) **CLAIM**

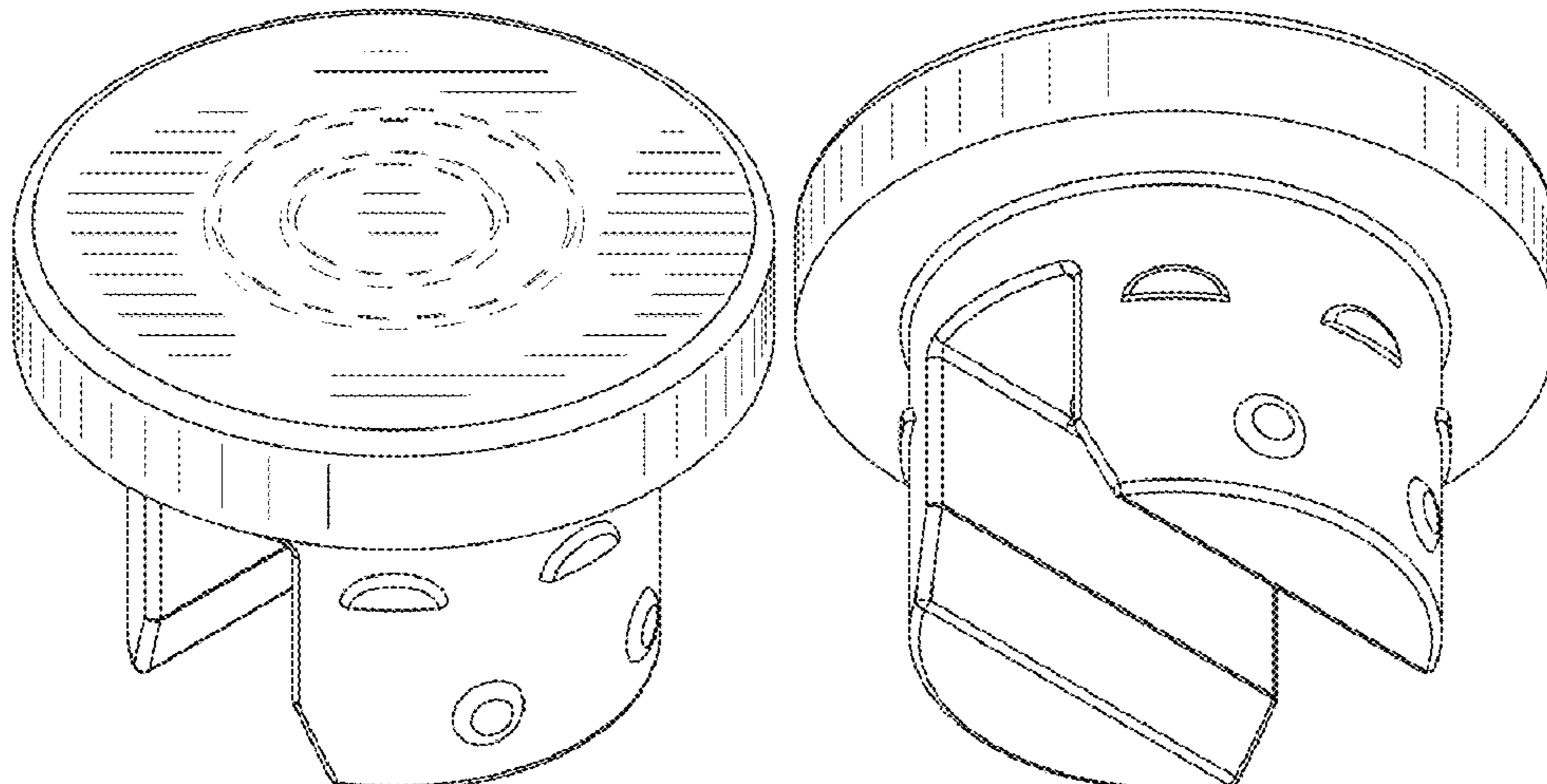
The ornamental design for a stopper for bottle, as shown and described.

DESCRIPTION

FIG. 1 is a top perspective view of a stopper for bottle showing our new design;
FIG. 2 is a bottom perspective view thereof;
FIG. 3 is a left side view thereof, the right side being a mirror image thereof; and,
FIG. 4 is a front view thereof, the rear view being a mirror image thereof.

The broken lines are shown for the purpose of illustrating parts of the stopper for bottle that form no part of the claimed design.

1 Claim, 1 Drawing Sheet



Related U.S. Application Data

continuation of application No. 29/625,282, filed on Nov. 8, 2017, now Pat. No. Des. 859,986, which is a continuation of application No. 29/570,107, filed on Jul. 5, 2016, now Pat. No. Des. 805,899, which is a continuation of application No. 14/540,477, filed on Nov. 13, 2014, now Pat. No. 9,517,922, and a continuation-in-part of application No. 29/509,028, filed on Nov. 13, 2014, now Pat. No. Des. 763,691.

(56)

References Cited

U.S. PATENT DOCUMENTS

D148,078 S	12/1947	Lelong	
2,911,123 A	11/1959	Saccomanno	
3,088,615 A	5/1963	Wheaton	
D216,678 S *	3/1970	Wilcox	D9/439
D217,580 S	6/1970	Nelson et al.	
D217,850 S	6/1970	Nelson	
D225,725 S	1/1973	Pettingill	
D240,022 S *	5/1976	Laurizio	D9/439
3,965,902 A	6/1976	Kelly	
4,376,439 A	3/1983	Lauterjung	
4,614,276 A *	9/1986	Ihara	B65D 39/0029 215/364
D328,033 S	7/1992	DiGuseppi	
5,186,358 A	2/1993	McVay	
5,188,622 A	2/1993	Muller	
D349,648 S	8/1994	Tirrell	
D359,683 S	6/1995	Beach	
D362,188 S	9/1995	Van Dyk	
D374,376 S	10/1996	Goins	
D375,264 S	11/1996	Galarza	
D400,429 S	11/1998	Morita	
5,845,797 A	12/1998	Sudo	
5,895,383 A	4/1999	Niedospial, Jr.	
5,902,298 A	5/1999	Niedospial, Jr.	
5,921,419 A	7/1999	Niedospial, Jr.	
5,960,837 A	10/1999	Cude	
5,971,181 A	10/1999	Neidospial, Jr.	
D428,339 S	7/2000	Johnson et al.	
D448,812 S	10/2001	Vong et al.	
D472,471 S	4/2003	McClure	
D480,632 S	10/2003	Williams	
D480,639 S	10/2003	Ciavarella	
D480,959 S	10/2003	Dewood	
D489,992 S	5/2004	Brauner	
D513,384 S	1/2006	Perry	
6,981,602 B2	1/2006	Ma	
D520,363 S	5/2006	Perez	
7,048,724 B2	5/2006	Grossman	
D528,192 S	9/2006	Nicholson	
7,153,294 B1	12/2006	Farrow	
7,178,683 B2	2/2007	Birkmayer	
D553,717 S	10/2007	Nicholson	
D564,879 S	3/2008	Baughman	
D587,580 S	3/2009	Kane	
D604,120 S	11/2009	Curtin	
D613,166 S	4/2010	Bentley	
D619,003 S	7/2010	Benoit-Gonin	
D619,004 S	7/2010	Fallat	
D620,362 S	7/2010	Boukobza	
D620,758 S	8/2010	Smiedt et al.	
D621,915 S *	8/2010	Fima	D23/261
7,799,009 B2	9/2010	Niedospial, Jr.	
7,874,441 B2	1/2011	Bloom	
D632,958 S	2/2011	Fuchs	
D634,200 S	3/2011	Taber	
D634,633 S	3/2011	Moreau	
D642,471 S	8/2011	White et al.	
D644,104 S	8/2011	Maeda et al.	
D645,351 S	9/2011	McMillan et al.	
D646,762 S	10/2011	Terry et al.	
D673,852 S	1/2013	Wood	
D673,854 S	1/2013	James	

D679,169 S	4/2013	Else	
D679,170 S	4/2013	Else	
D680,369 S	4/2013	Starks	
D682,610 S	5/2013	Carder	
D682,690 S *	5/2013	Bowes	D9/439
D682,700 S	5/2013	White et al.	
D686,339 S	7/2013	Shima	
8,495,854 B2	7/2013	Seidita	
D688,128 S	8/2013	Krause	
D688,129 S	8/2013	Krause	
D694,110 S	11/2013	Tanner	
D700,473 S	3/2014	Duvigneau et al.	
D701,459 S	3/2014	Ghosh et al.	
8,695,821 B2	4/2014	Bashyam	
D708,945 S	7/2014	Jetmar	
D716,653 S	11/2014	Balembois	
D723,370 S	3/2015	Medlin	
D723,919 S	3/2015	Taber	
D727,152 S	4/2015	Yaseen	
D729,063 S	5/2015	Koop	
D731,312 S	6/2015	Shimizu	
D733,493 S	7/2015	Barberi	
D736,625 S	8/2015	Laureano	
D736,646 S	8/2015	Andersson et al.	
D740,120 S	10/2015	El Ghouyel	
D746,687 S	1/2016	Yourist	
D763,090 S	8/2016	Zeng et al.	
D763,091 S	8/2016	Zeng et al.	
D763,685 S	8/2016	Arriaga	
D764,920 S	8/2016	Maranris et al.	
D766,844 S	9/2016	Turksu et al.	
D768,489 S	10/2016	Indruk	
D779,942 S *	2/2017	Saussaye	D9/454
D803,045 S	11/2017	Ploeger	
D803,046 S	11/2017	Ploeger	
D803,048 S	11/2017	Ploeger	
D803,049 S	11/2017	Ploeger	
D804,945 S	12/2017	Ploeger	
D805,899 S *	12/2017	Marantis	B65D 81/20 D9/439
D812,577 S	3/2018	Turksu et al.	
D819,443 S *	6/2018	Martinez Carregui	D9/440
D859,986 S	9/2019	Marantis et al.	
D865,685 S	11/2019	Adenau	
D908,486 S *	1/2021	Marantis	D9/439
2003/0208165 A1	11/2003	Christensen	
2004/0156915 A1	8/2004	Harman et al.	
2006/0000793 A1	1/2006	Mavin	
2008/0190948 A1	8/2008	Sayasithsena	
2010/0270260 A1	10/2010	Jung	
2011/0114593 A1	5/2011	Ishii	
2013/0270143 A1	10/2013	Muscato	
2016/0054049 A1	2/2016	Harvie	
2016/0136048 A1	5/2016	Marantis	
2016/0137474 A1	5/2016	Marantis	
2016/0338912 A1	11/2016	Oberlin et al.	
2018/0086543 A1	3/2018	Van Why	

OTHER PUBLICATIONS

Clear Glass Lamp Bulb Shape Bottle with Screw Cap Tin Lid, posted on alibaba.com, no posted date given, no production date given, [online], [site visited Dec. 30, 2016], Available from internet, <URL: https://ww.alibaba.com/product-detail/clear-glass-lamp-bulb-shape-bottle_60183128242.htm1>.

Tinksky, 400ml Tea Water Cup Bottle—Light Bulb Shaped, posted on amazon.com, no posted date given, no production date given, [online], [site visited Dec. 30, 2016], Available from internet, <URL: https://ww.amazon.com/Tinksky-400ML-Tea-Water-Bottle/dp/B01_FDA7C7K>.

Bobble Active Filtering Water Bottle Hands-On, posted on gadgetmac.com, posted Sep. 1, 2012, no production date given, [online], [site visited Dec. 30, 2016], Available from internet, <URL: <http://gadgetmac.com/alt/bobble-active-filtering-water-bottle-hands-on.html>>.

Bottle Stopper: Site Visited [Sep. 23, 2020]. Available from Internet URL: <https://www.westpharma.com/products/vial-containment-solutions/stoppers/404040-formulation>.

(56)

References Cited

OTHER PUBLICATIONS

Rubber Stopper: Announced Jul. 8, 2017 [online]. Site Visited [Sep. 23, 2020]. Available from Internet URL: <https://opsdiagnostics.com/13-mm-Rubber-Stopper-Split-p550.html>.

Rubber Stopper: Site Visited [Sep. 23, 2020]. Available from Internet URL: http://www.naf-vsm.com/media/catalog/product/cache/1/image/800x600/9df78eab33525d08d6e5fb8d27136e95/6/9/699.2000013000.3i000freeze_drying_stopper_20_mm_2_200518.jpg.

Grey Pharmaceutical Rubber Stoppers: Site Visited [Sep. 23, 2020]. Available from Internet URL: <https://www.tubevial.com/sale-11435238-20-d2-grey-pharmaceutical-rubber-stoppers-for-freeze-drying-glass-vials.html>.

Sealing Solutions for Vials: Site Visited [Sep. 23, 2020]. Available from Internet URL: <https://datwyler.com/healthcare-solutions/healthcare/applications/vials>.

* cited by examiner

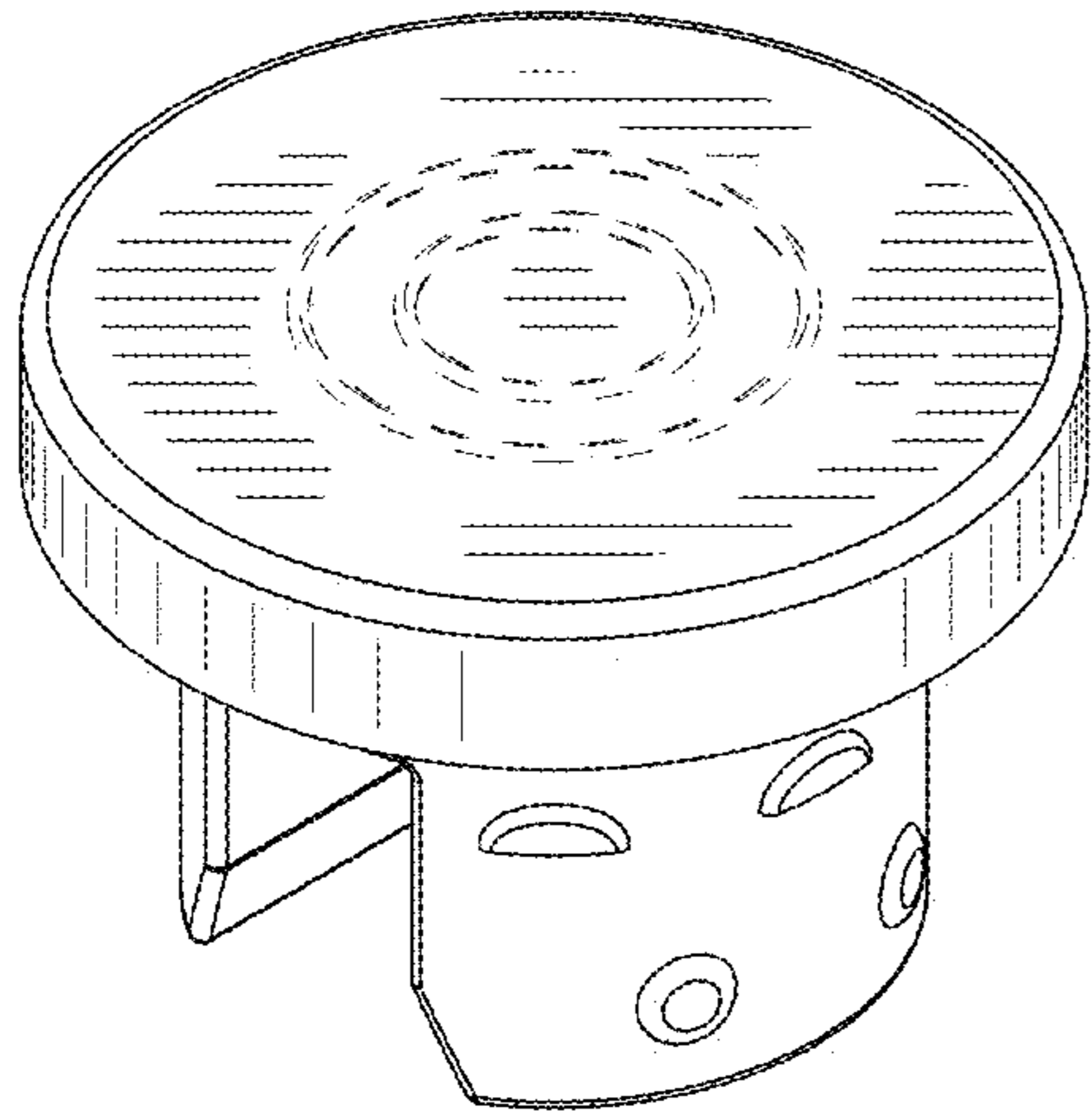


FIG. 1

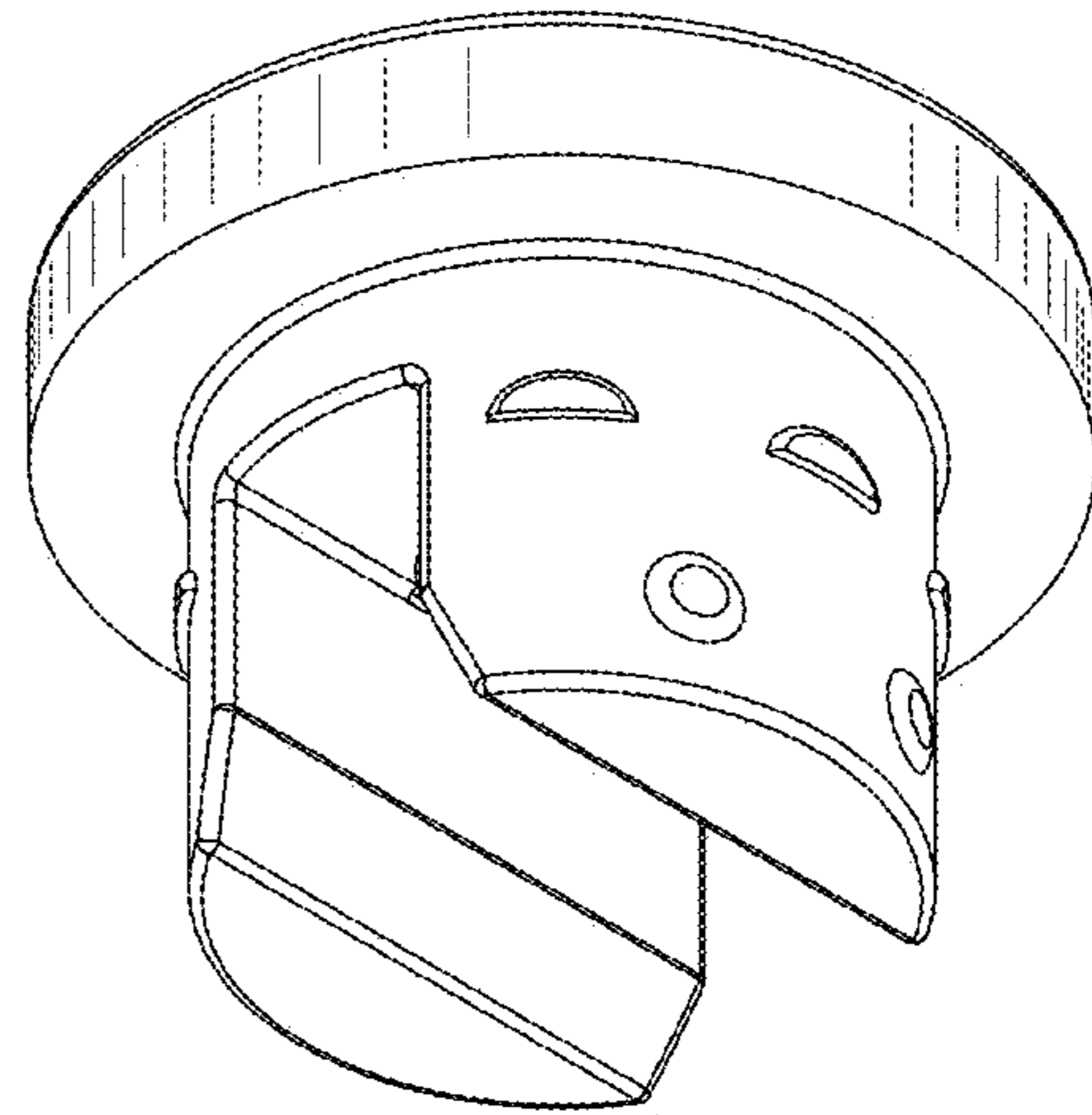


FIG. 2

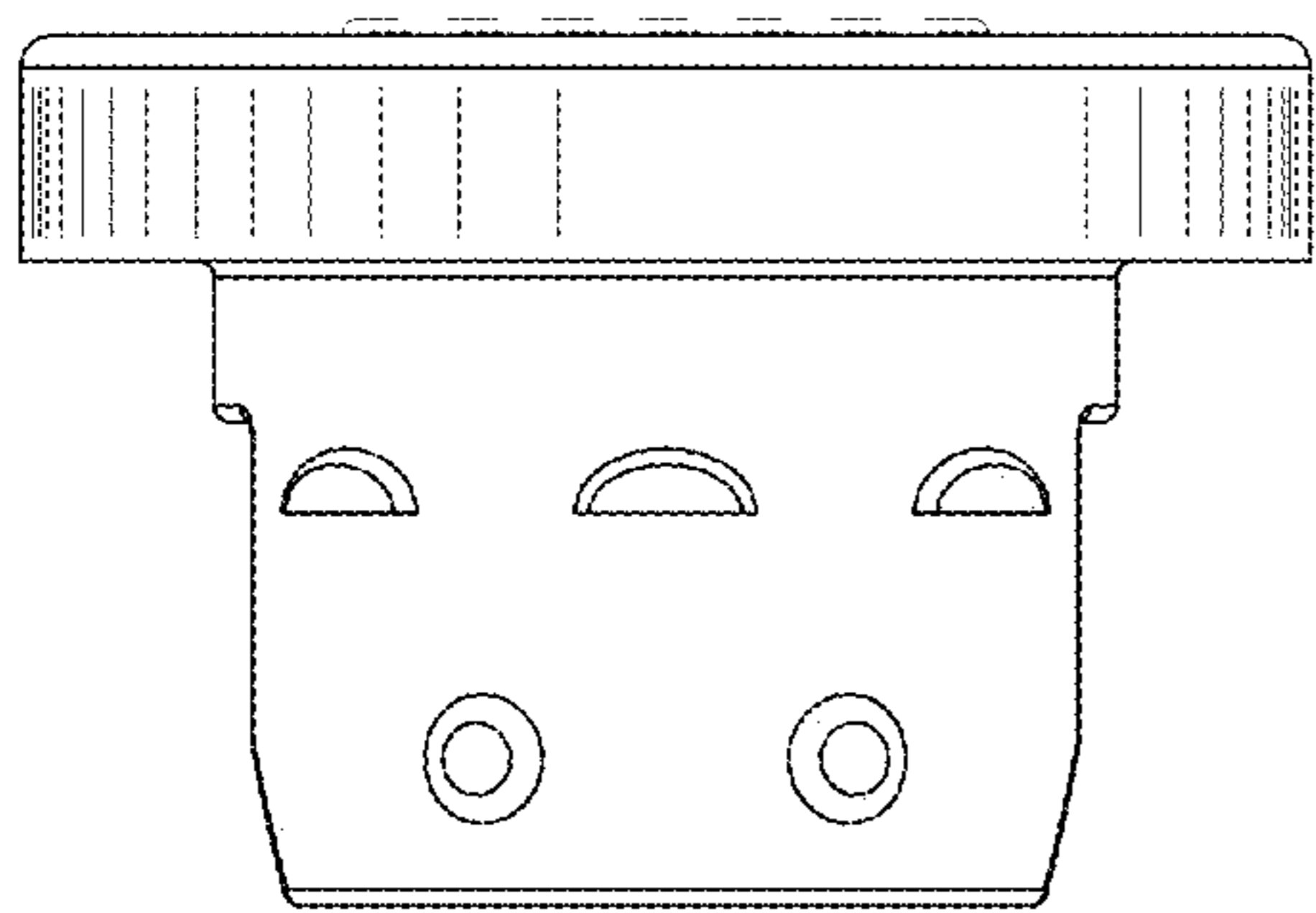


FIG. 3

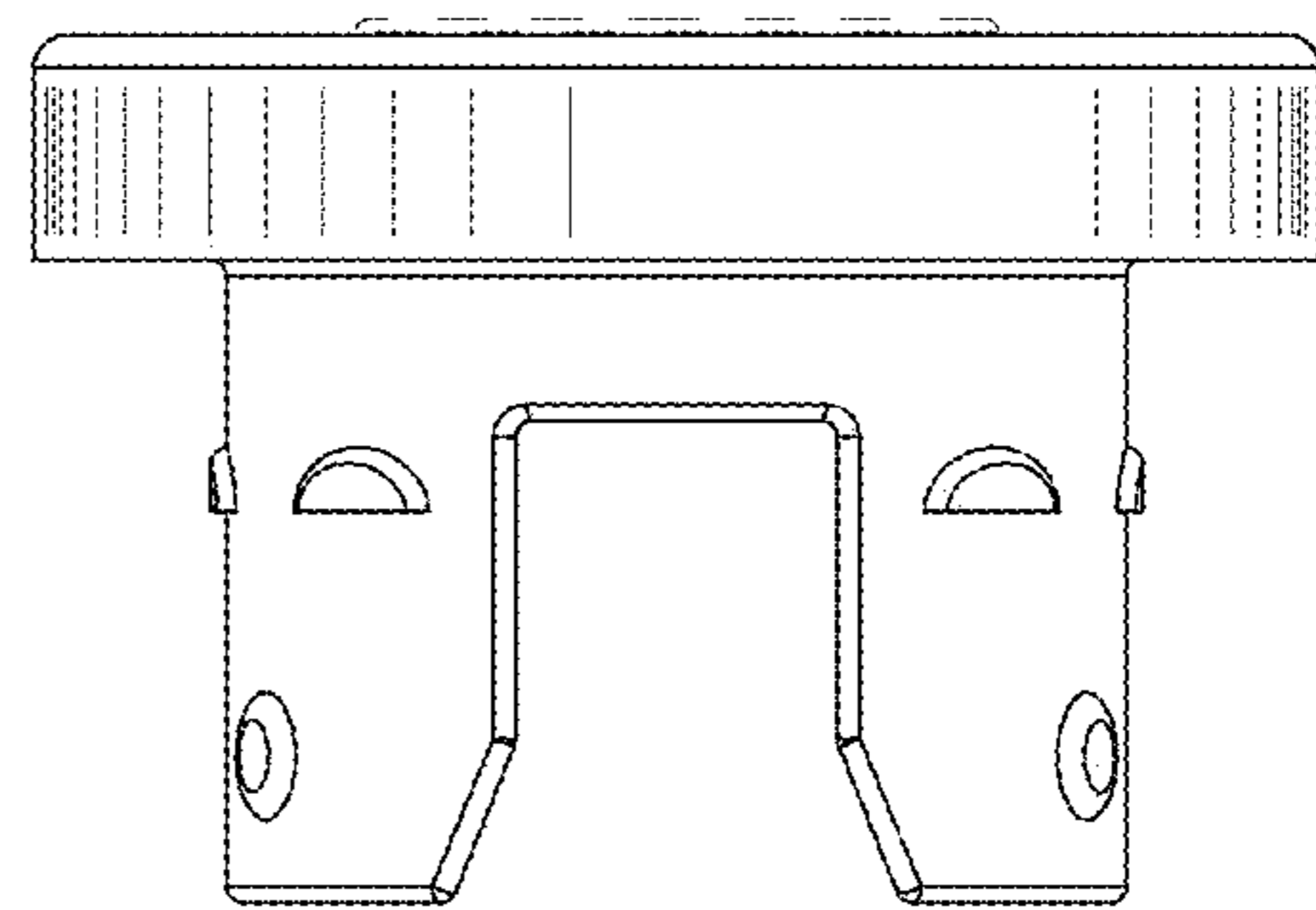


FIG. 4