



US00D926570S

(12) **United States Design Patent** (10) **Patent No.:** **US D926,570 S**
Engelbrecht et al. (45) **Date of Patent:** **** Aug. 3, 2021**

(54) **PACKAGE**

- (71) Applicant: **TETRA LAVAL HOLDINGS & FINANCE S.A.**, Pully (CH)
- (72) Inventors: **Anna Genowefa Engelbrecht**, Modena (IT); **Nicoletta Marangoni**, Lodi (IT); **Davide Morciano**, Modena (IT); **Giorgia Zanotti**, Capri (IT); **Carlo Forcellini**, Modena (IT); **Marcello Barbieri**, Modena (IT)
- (73) Assignee: **TETRA LAVAL HOLDINGS & FINANCE S.A.**, Pully (CH)

(**) Term: **15 Years**

(21) Appl. No.: **35/508,024**

(22) Filed: **Mar. 8, 2019**

(80) **Hague Agreement Data**

Int. Filing Date: **Mar. 8, 2019**
 Int. Reg. No.: **DM/204368**
 Int. Reg. Date: **Mar. 8, 2019**
 Int. Reg. Pub. Date: **Dec. 6, 2019**

(30) **Foreign Application Priority Data**

Sep. 10, 2018 (EM) 005635158

(51) **LOC (13) Cl.** **09-03**

(52) **U.S. Cl.**
USPC **D9/432**; D9/431; D9/433

(58) **Field of Classification Search**
USPC D9/434, 499, 414, 415, 430-433, 417,
D9/429; D3/201, 202

(Continued)

(56) **References Cited**

U.S. PATENT DOCUMENTS

D518,371 S * 4/2006 Franic D9/417
 D540,164 S * 4/2007 Franic D9/434

(Continued)

OTHER PUBLICATIONS

Packaging Europe. Tetra Pak Launches New Packaging Material Effects to Help Brands Attract Shoppers' Attention. Oct. 4, 2018. <https://packagingeurope.com/tetra-pak-launch-artistry-packaging-material-effects-shelf-impact/> (Year: 2018).*

(Continued)

Primary Examiner — Darcey E Gottschalk
(74) *Attorney, Agent, or Firm* — Leason Ellis LLP

(57) **CLAIM**

The ornamental design for a package, as shown and described.

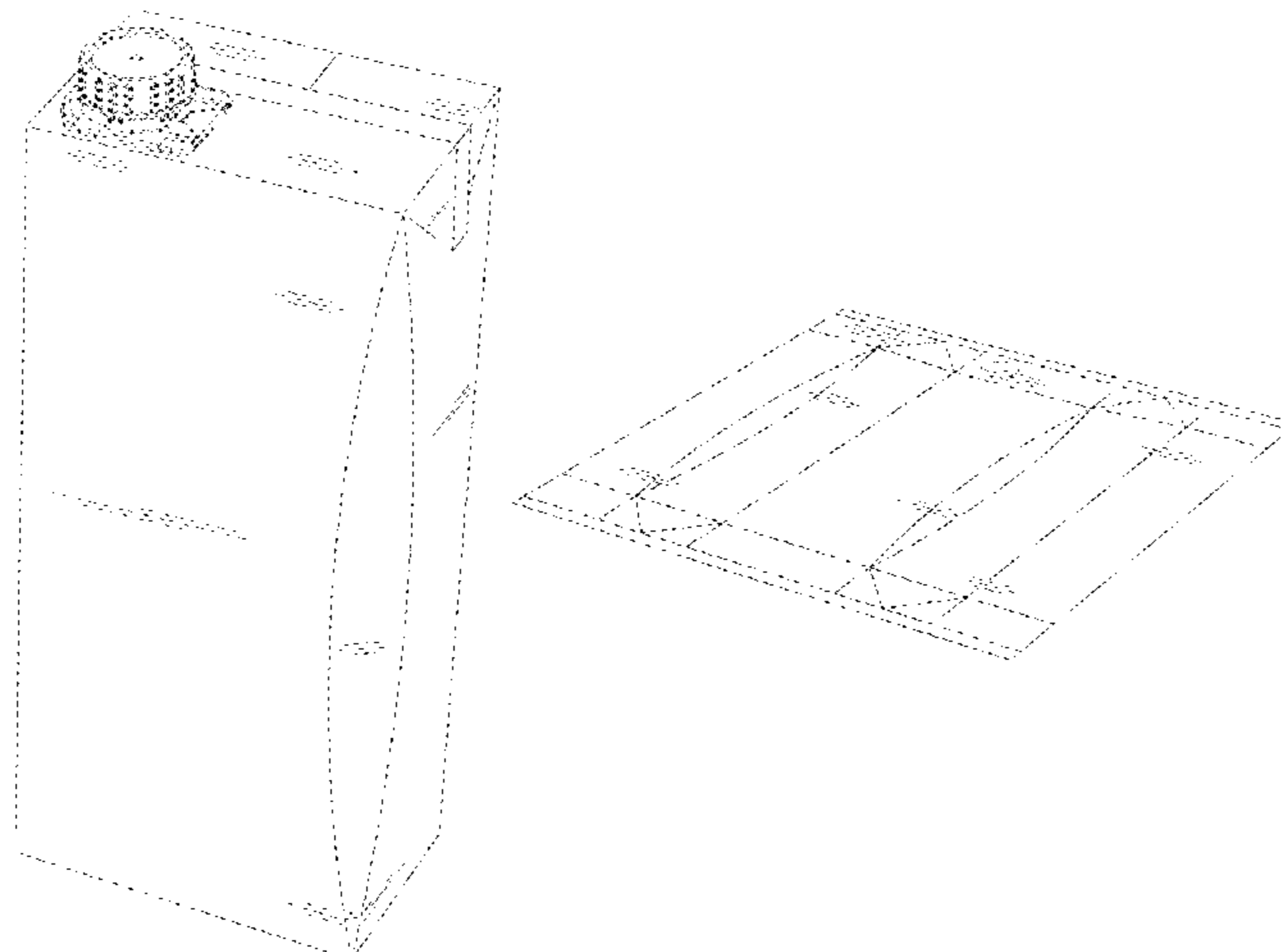
DESCRIPTION

- 1. Package
- 2. Package
- 1.1 : Perspective view
- 1.2 : Front view
- 1.3 : Rear view
- 1.4 : First side view
- 1.5 : Second side view
- 1.6 : Top view
- 1.7 : Bottom view
- 2.1 : Perspective view
- 2.2 : Front view
- 2.3 : Rear view
- 2.4 : First side view
- 2.5 : Second side view
- 2.6 : Top view
- 2.7 : Bottom view

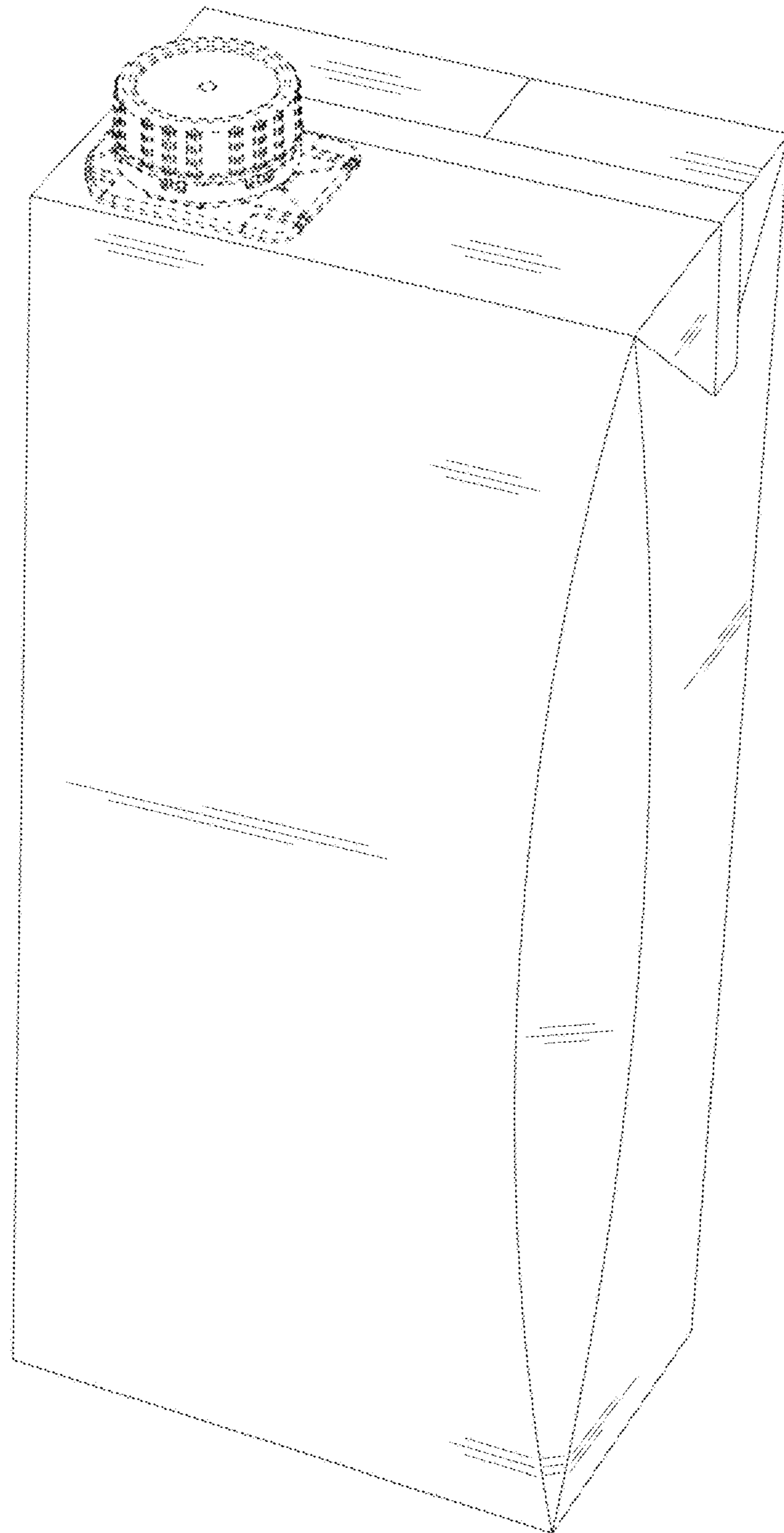
The broken lines in the drawings illustrate portions of the package that form no part of the claimed design.

The package illustrated in reproductions 2.1-2.7 in unfolded or collapsed form corresponds directly to the package illustrated in reproductions 1.1-1.7.

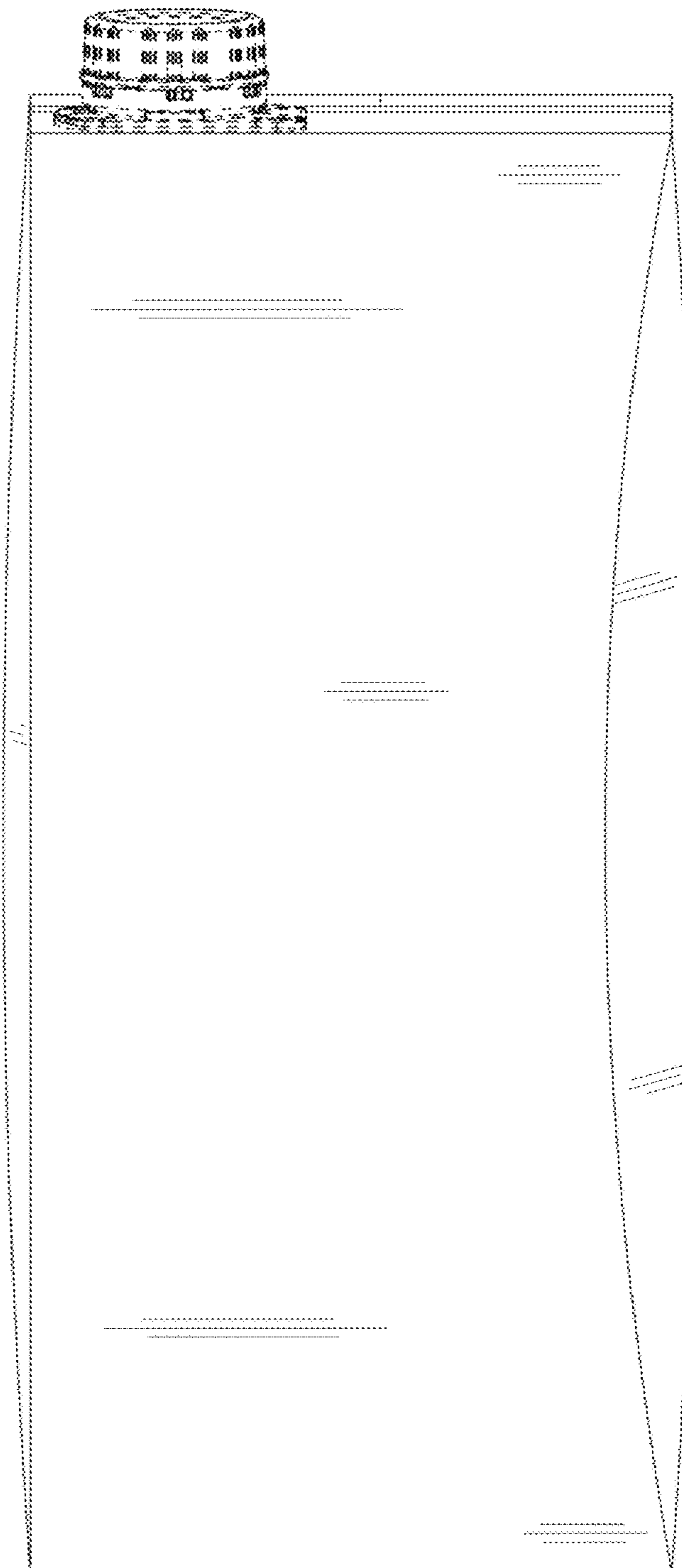
1 Claim, 14 Drawing Sheets



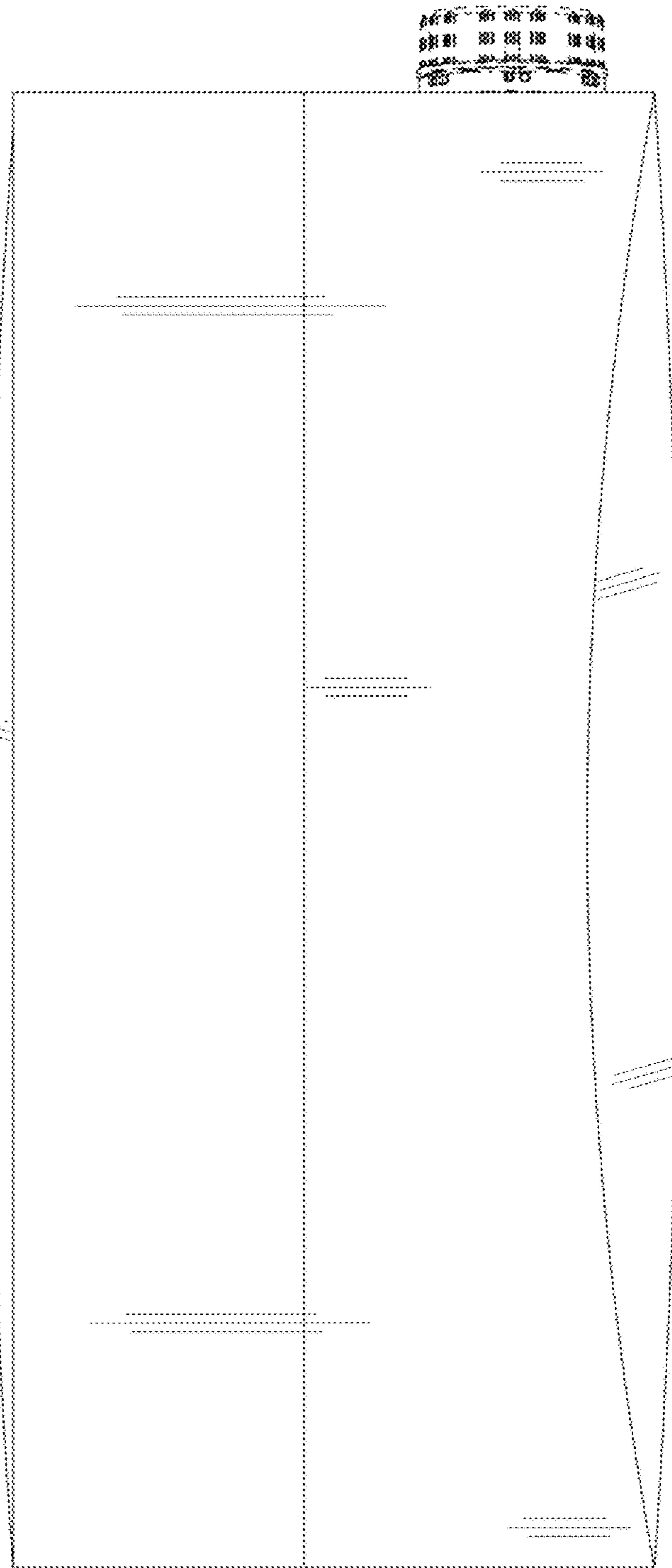
1.1



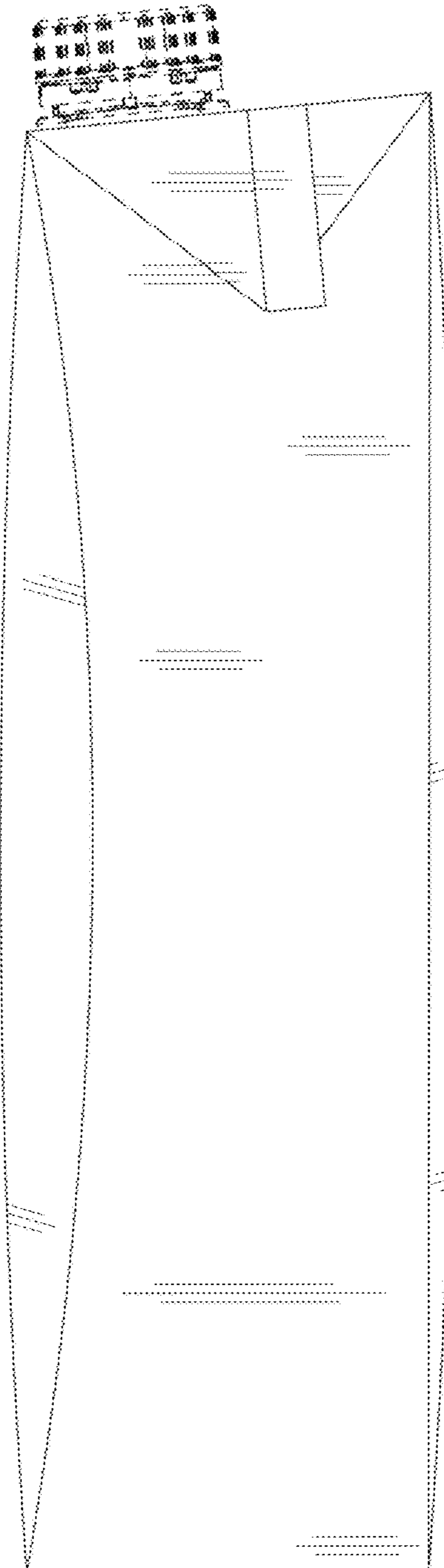
1.2



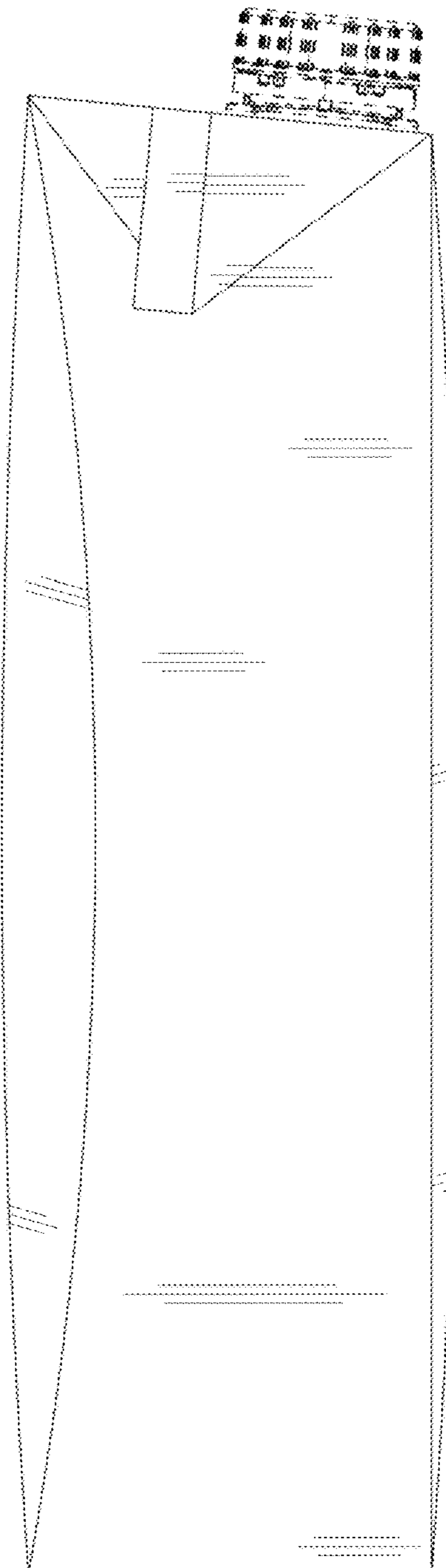
1.3



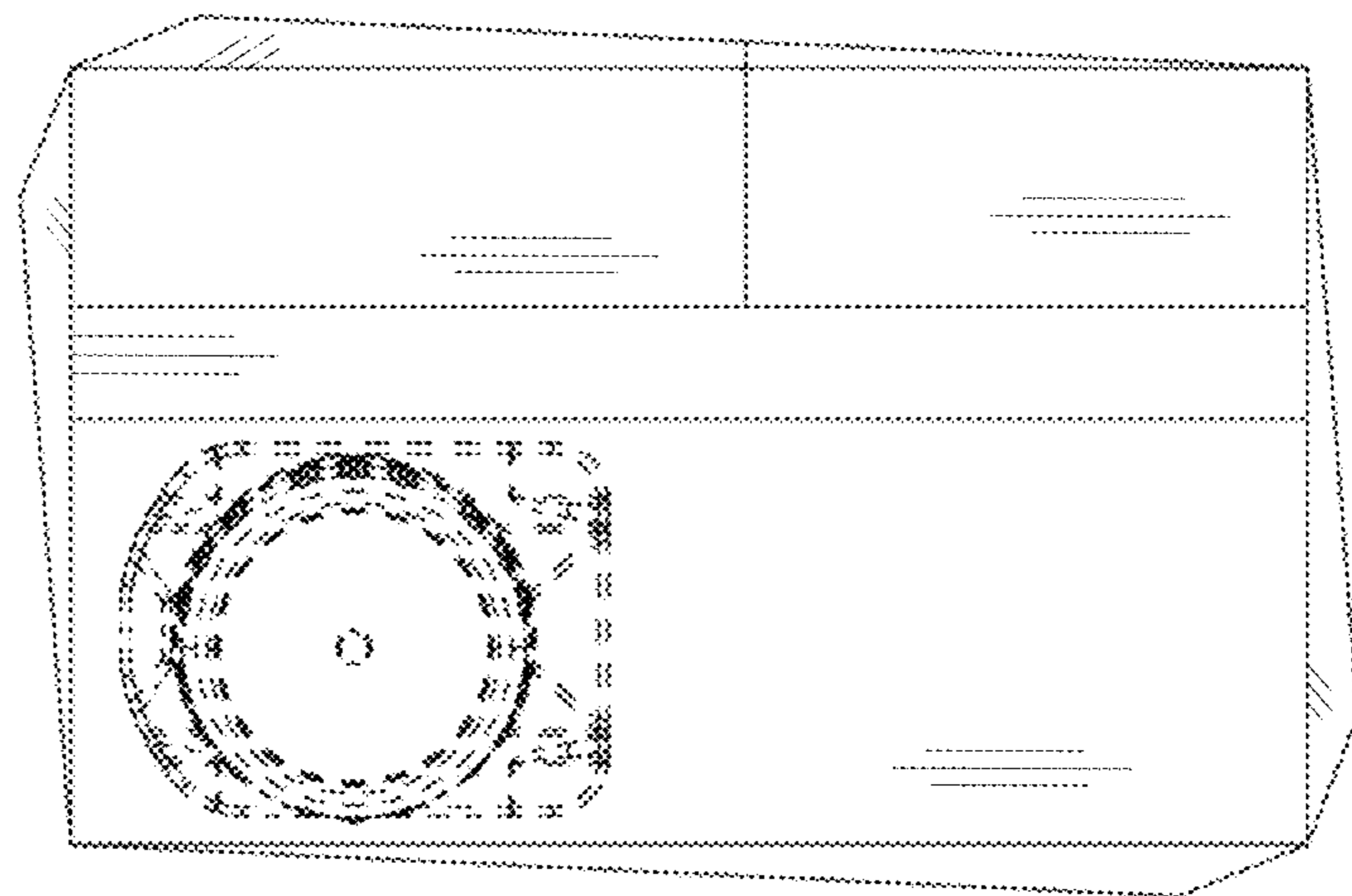
1.4



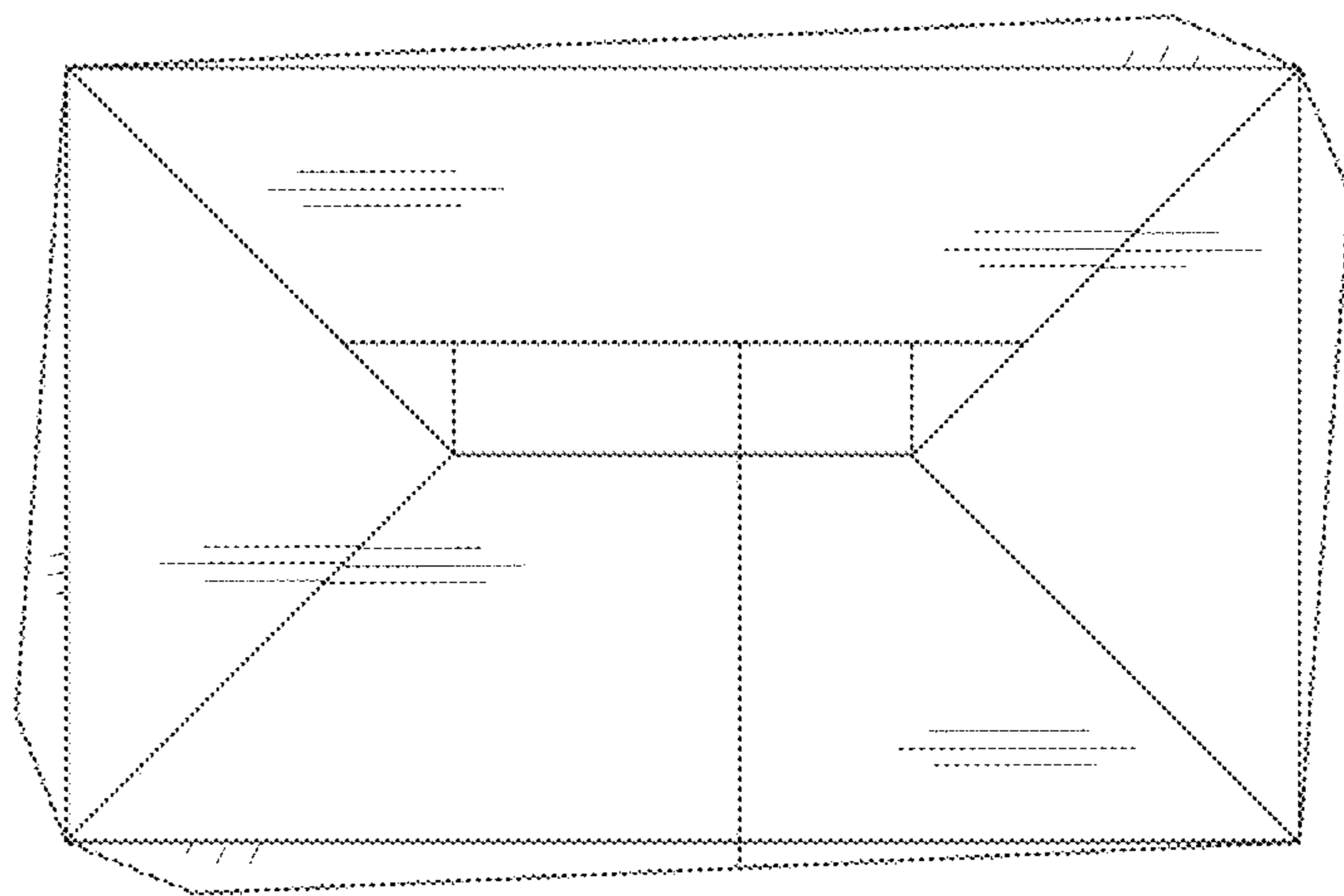
1.5



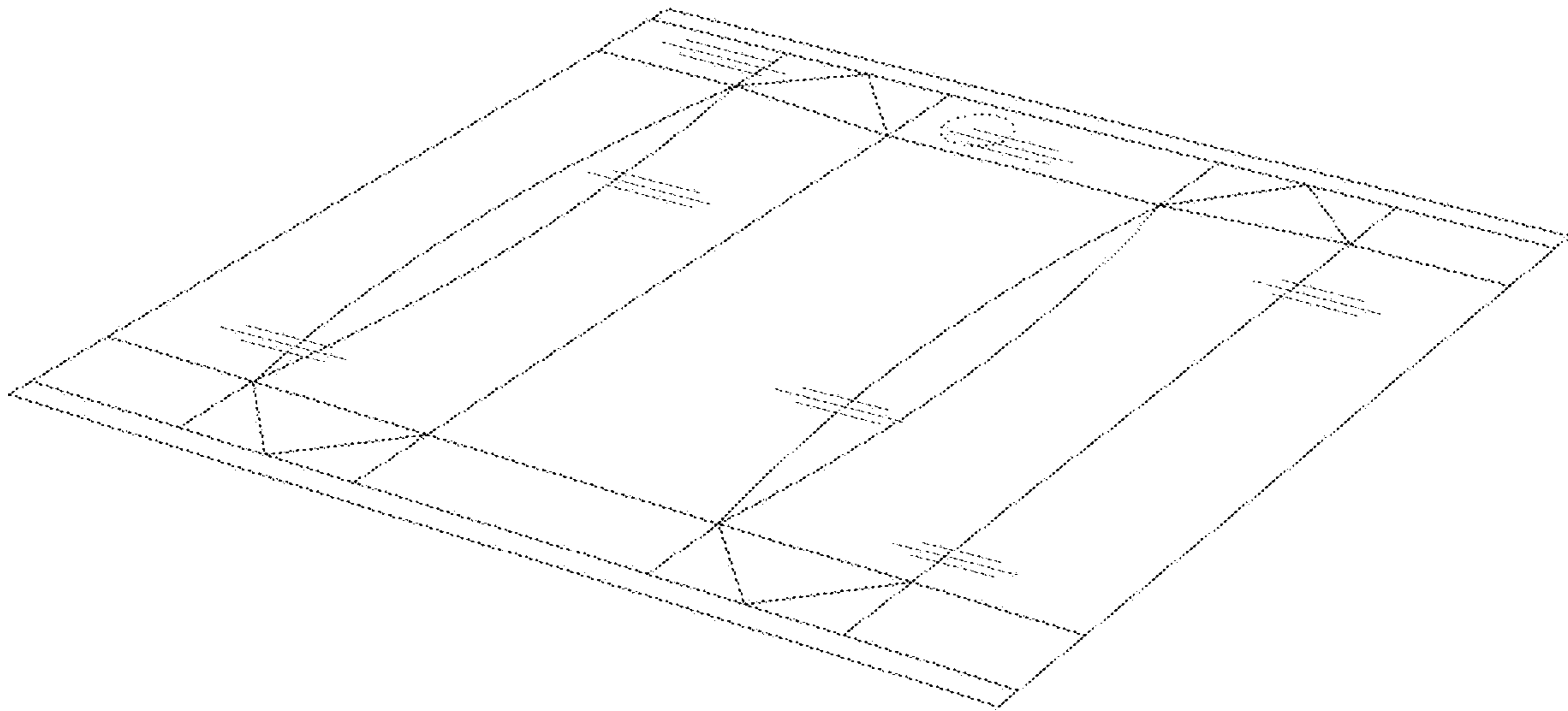
1.6



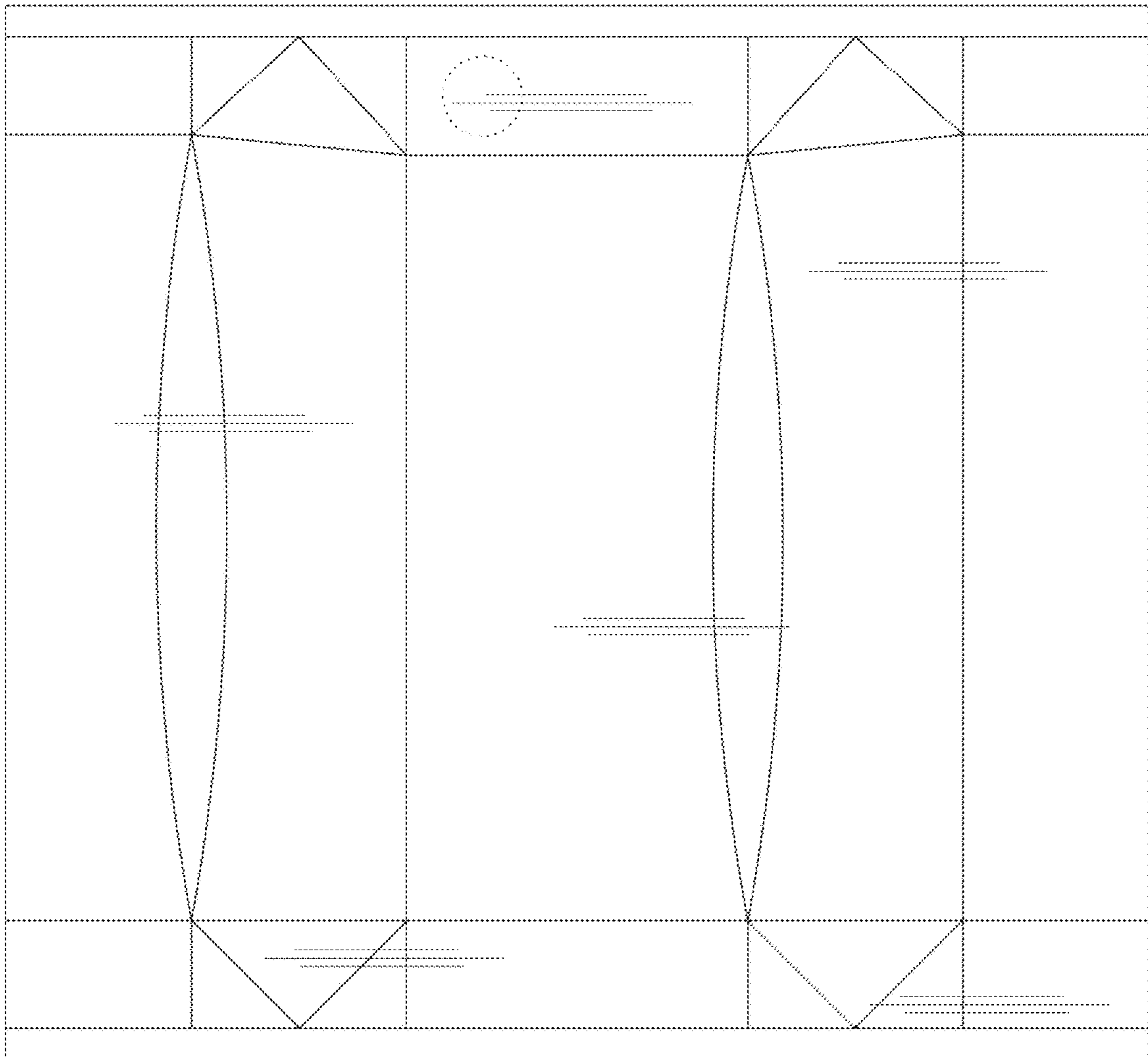
1.7



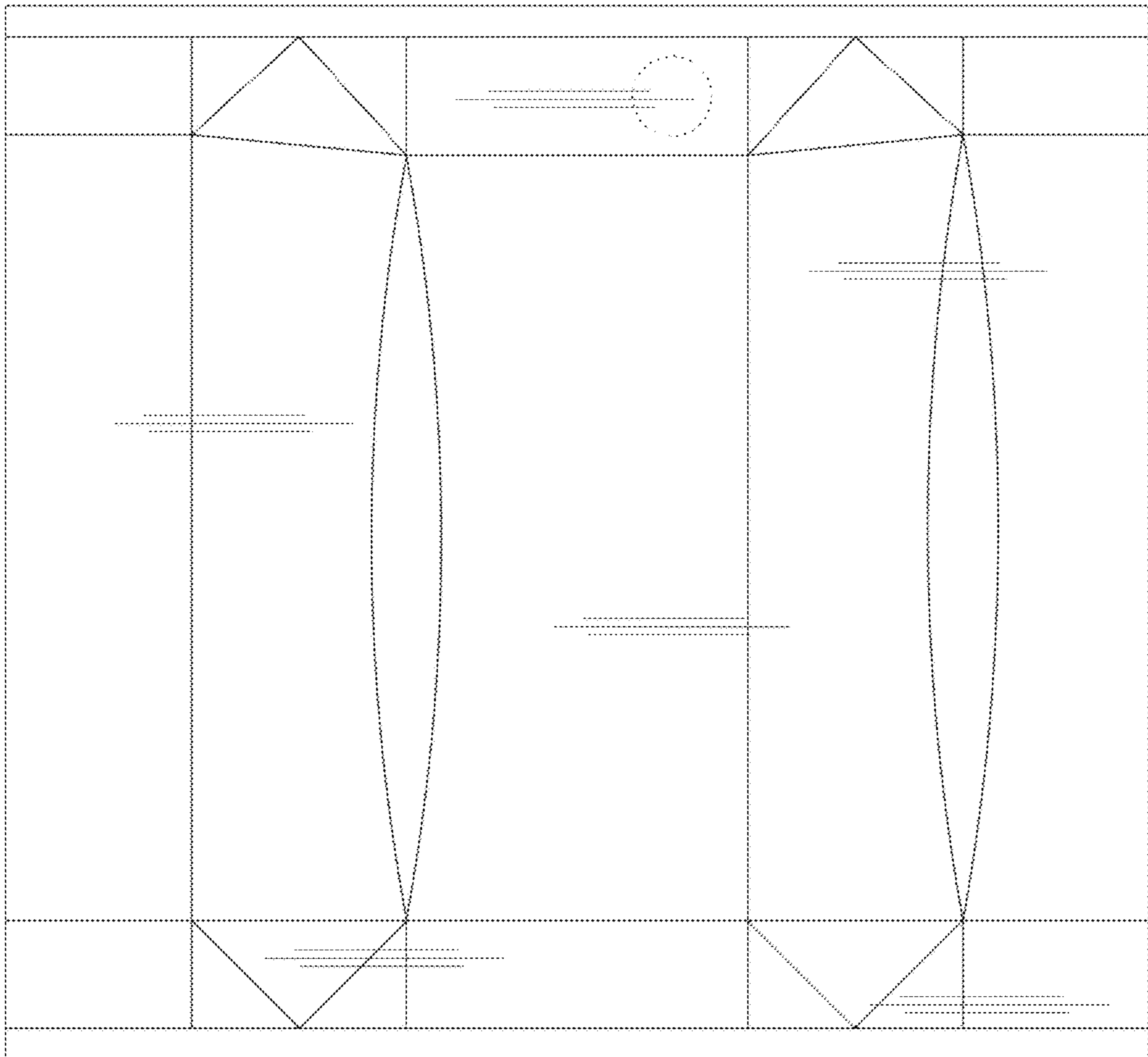
2.1



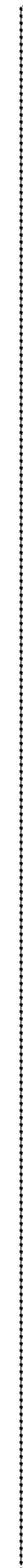
2.2



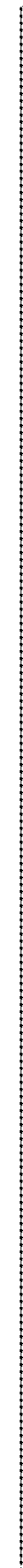
2.3



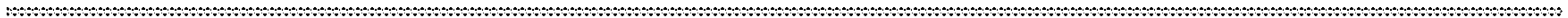
2.4



2.5



2.6



2.7

