



US00D926567S

(12) **United States Design Patent** (10) **Patent No.:** **US D926,567 S**  
**Straszewski** (45) **Date of Patent:** **\*\* Aug. 3, 2021**

- (54) **FOLDABLE PIZZA BOX**
- (71) Applicant: **Darian Straszewski**, Owasso, OK (US)
- (72) Inventor: **Darian Straszewski**, Owasso, OK (US)
- (\*\*) Term: **15 Years**
- (21) Appl. No.: **29/691,102**
- (22) Filed: **May 14, 2019**

D510,264 S 10/2005 Tilley et al.  
 D690,587 S \* 10/2013 DeLisle ..... D9/423  
 D708,055 S \* 7/2014 Elston ..... D9/423  
 (Continued)

**OTHER PUBLICATIONS**

Innovative Pizza Box Design, [online] Published Jul. 27, 2009.  
 Retrieved from URL: <http://www.toxel.com/tech/2009/07/27/innovative-pizza-box-design/>.\*

*Primary Examiner* — Vy N Koenig  
 (74) *Attorney, Agent, or Firm* — Boudwin Intellectual Property; Daniel Boudwin

(57) **CLAIM**

The ornamental design for a foldable pizza box, as shown and described.

**DESCRIPTION**

This application is a continuation-in-part of U.S. patent application Ser. No. 29/682,719 filed on Mar. 7, 2019. The above identified patent applications are herein incorporated by reference in their entirety to provide continuity of disclosure.

FIG. 1 depicts a perspective view of a foldable pizza box according to the present invention.

FIG. 2 depicts a front elevation view of the foldable pizza box.

FIG. 3 depicts a rear elevation view of the foldable pizza box.

FIG. 4 depicts a left elevation view of the foldable pizza box.

FIG. 5 depicts a right elevation view of the foldable pizza box.

FIG. 6 depicts a top plan view of the foldable pizza box; and, FIG. 7 depicts a bottom plan view of the foldable pizza box.

The dotted lines between the shade lines in FIGS. 1, 2, 3, 6, and 7 represent perforations and form part of the claimed design.

The dot-dash lines in the Figures show portions of the foldable pizza box which form no part of the claimed design.

**1 Claim, 4 Drawing Sheets**

**Related U.S. Application Data**

(63) Continuation-in-part of application No. 16/188,440, filed on Nov. 13, 2018, now Pat. No. 10,793,314.

(51) **LOC (13) Cl.** ..... **09-03**

(52) **U.S. Cl.**  
 USPC ..... **D9/432**

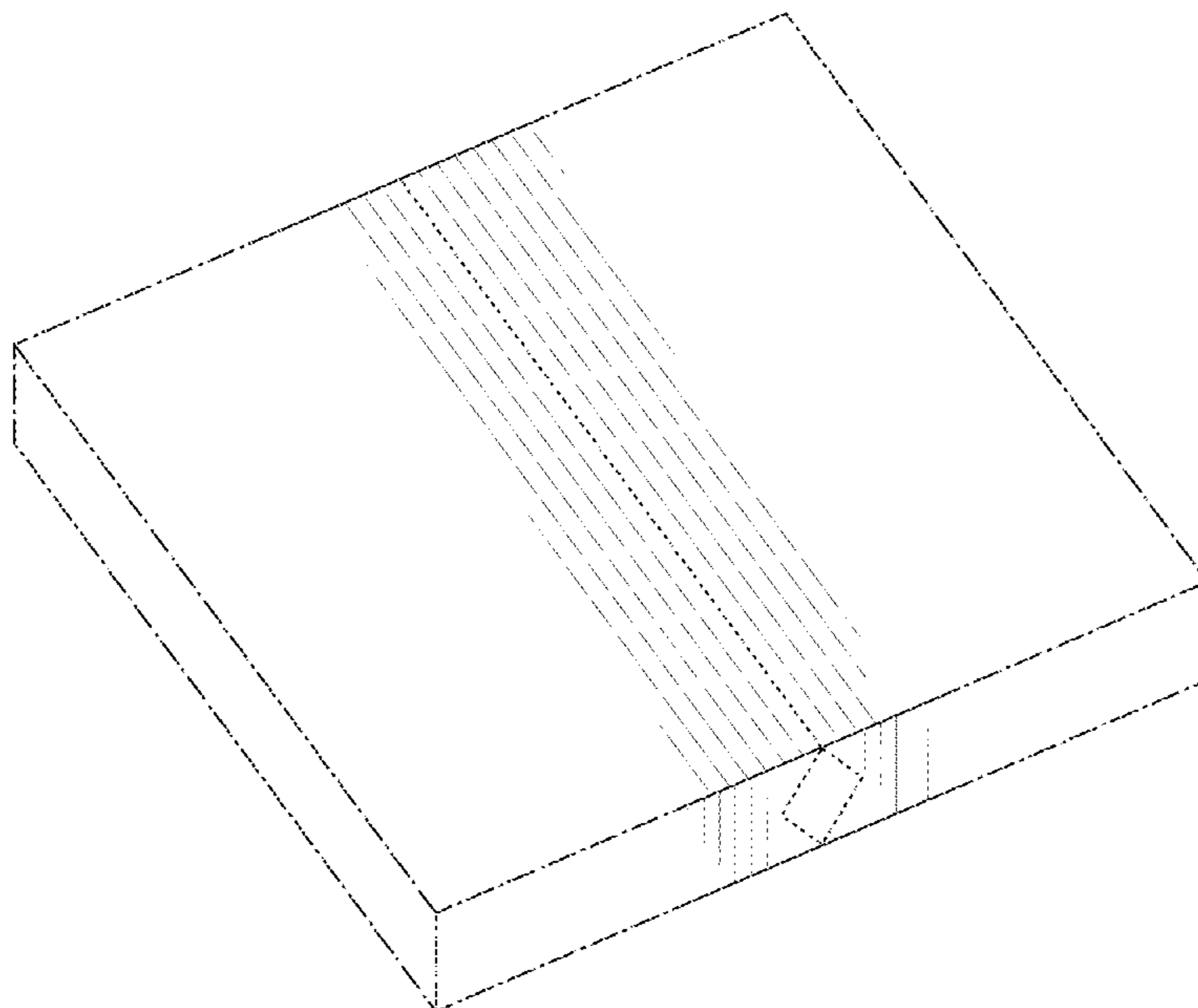
(58) **Field of Classification Search**  
 USPC ..... D9/414–423, 430–433, 434, 455, 456,  
 D9/721–722, 737, 756, 758, 759, 760,  
 D9/730, 734  
 CPC ... B65D 5/00; B65D 5/02; B65D 5/18; B65D  
 5/20

See application file for complete search history.

(56) **References Cited**

**U.S. PATENT DOCUMENTS**

- 1,912,875 A \* 6/1933 Warner ..... B65D 5/20  
229/120.09
- 2,955,000 A \* 10/1960 Vohden ..... B65D 5/321  
229/125.08
- 5,056,710 A \* 10/1991 Ritter ..... B65D 5/6632  
229/143
- 5,209,392 A 5/1993 Anatro
- 5,375,761 A 12/1994 Sullivan et al.



(56)

**References Cited**

U.S. PATENT DOCUMENTS

8,919,635 B1 \* 12/2014 Biagioni ..... B65D 5/4266  
229/117.01  
9,167,926 B1 \* 10/2015 Helmuth ..... B65D 85/36  
D747,192 S 1/2016 Nietert et al.  
2007/0267471 A1 11/2007 Falana  
2008/0006679 A1 1/2008 Volz et al.  
2013/0344211 A1 12/2013 Hemsley

\* cited by examiner

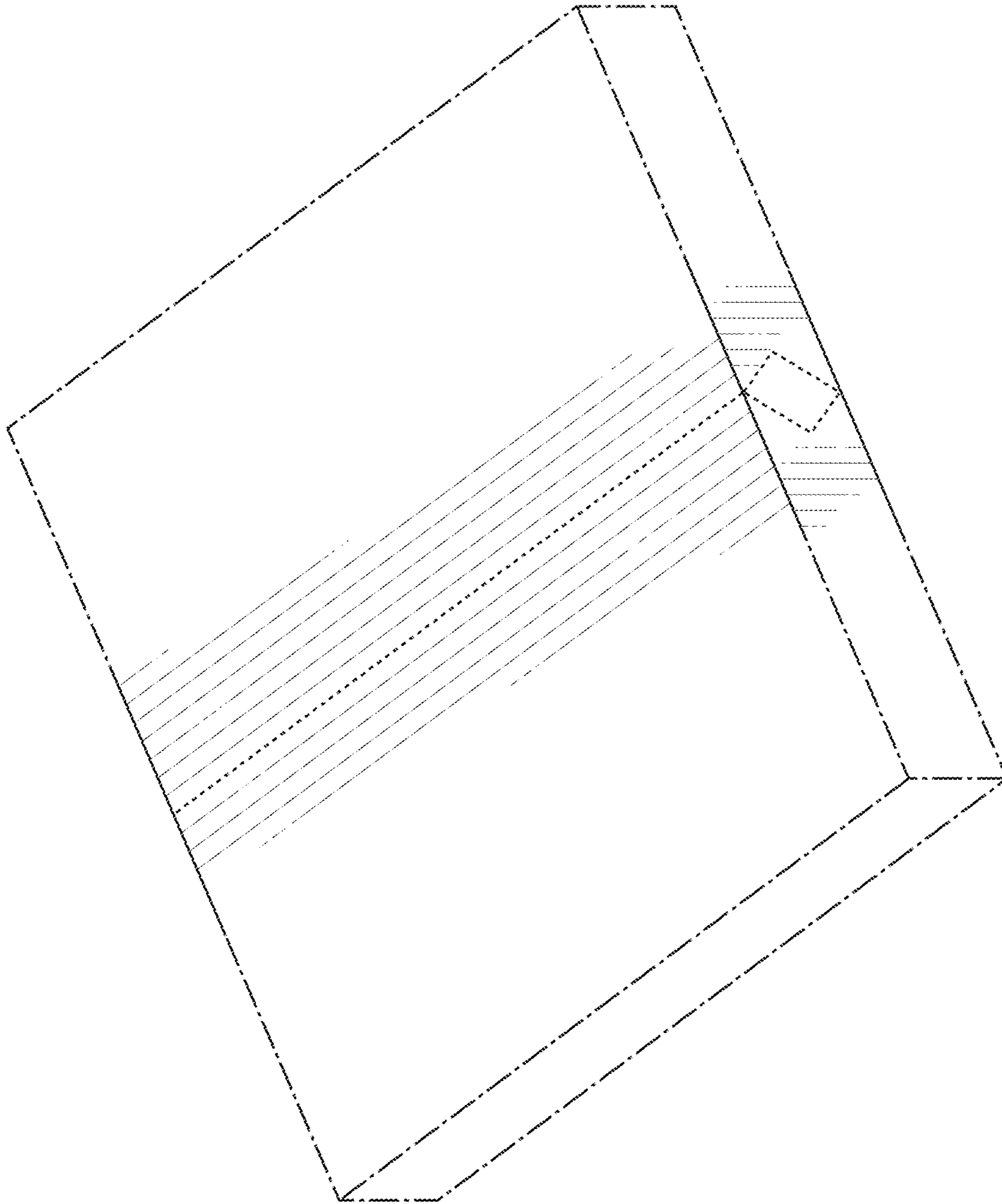
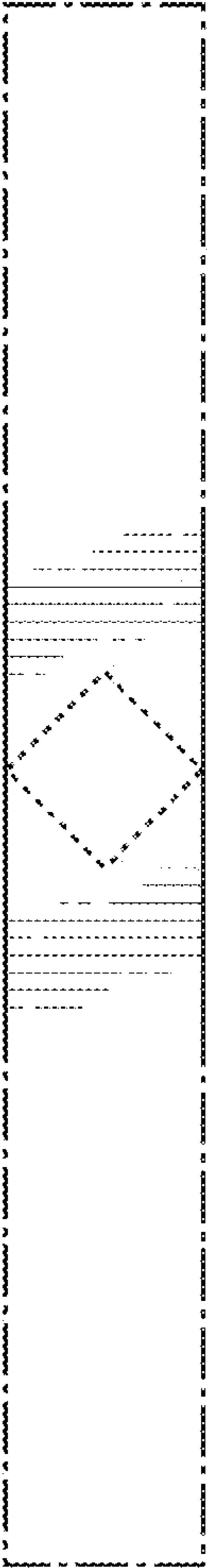
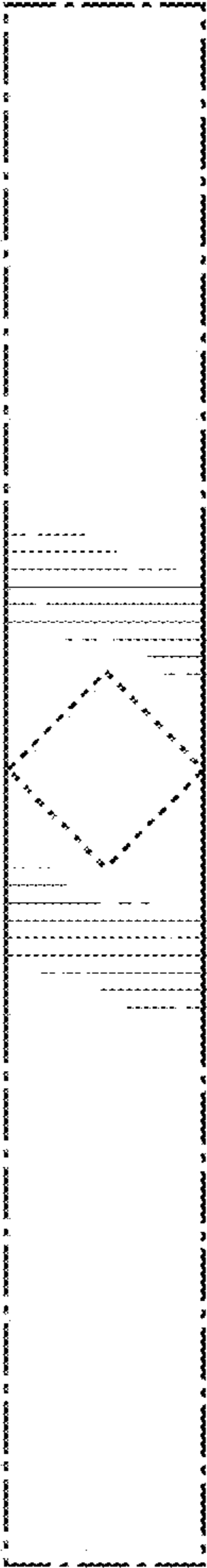


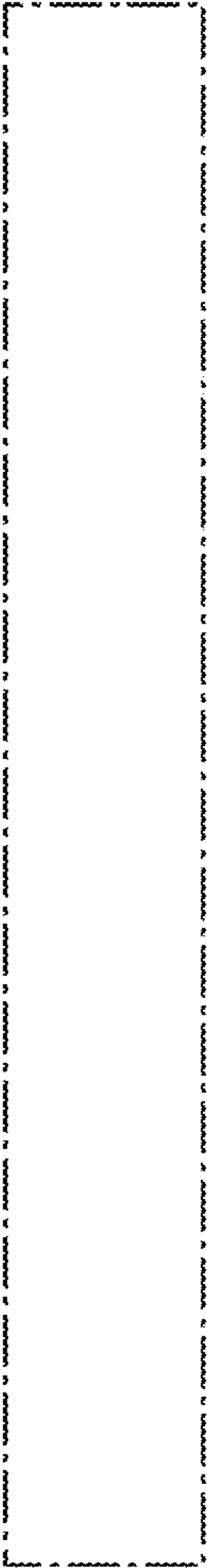
FIG. 1



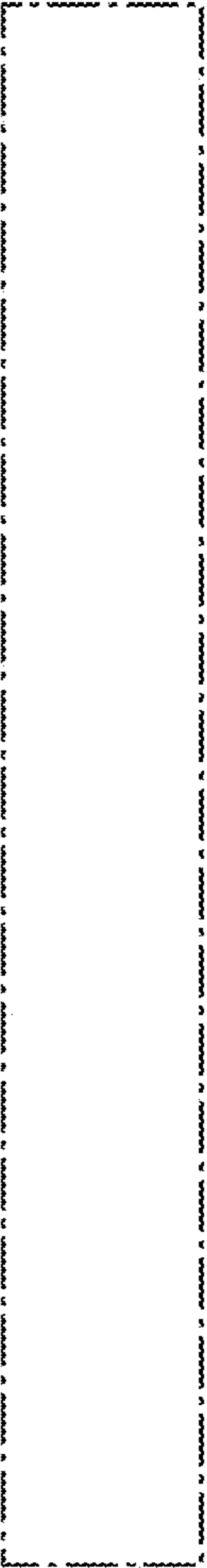
**FIG. 2**



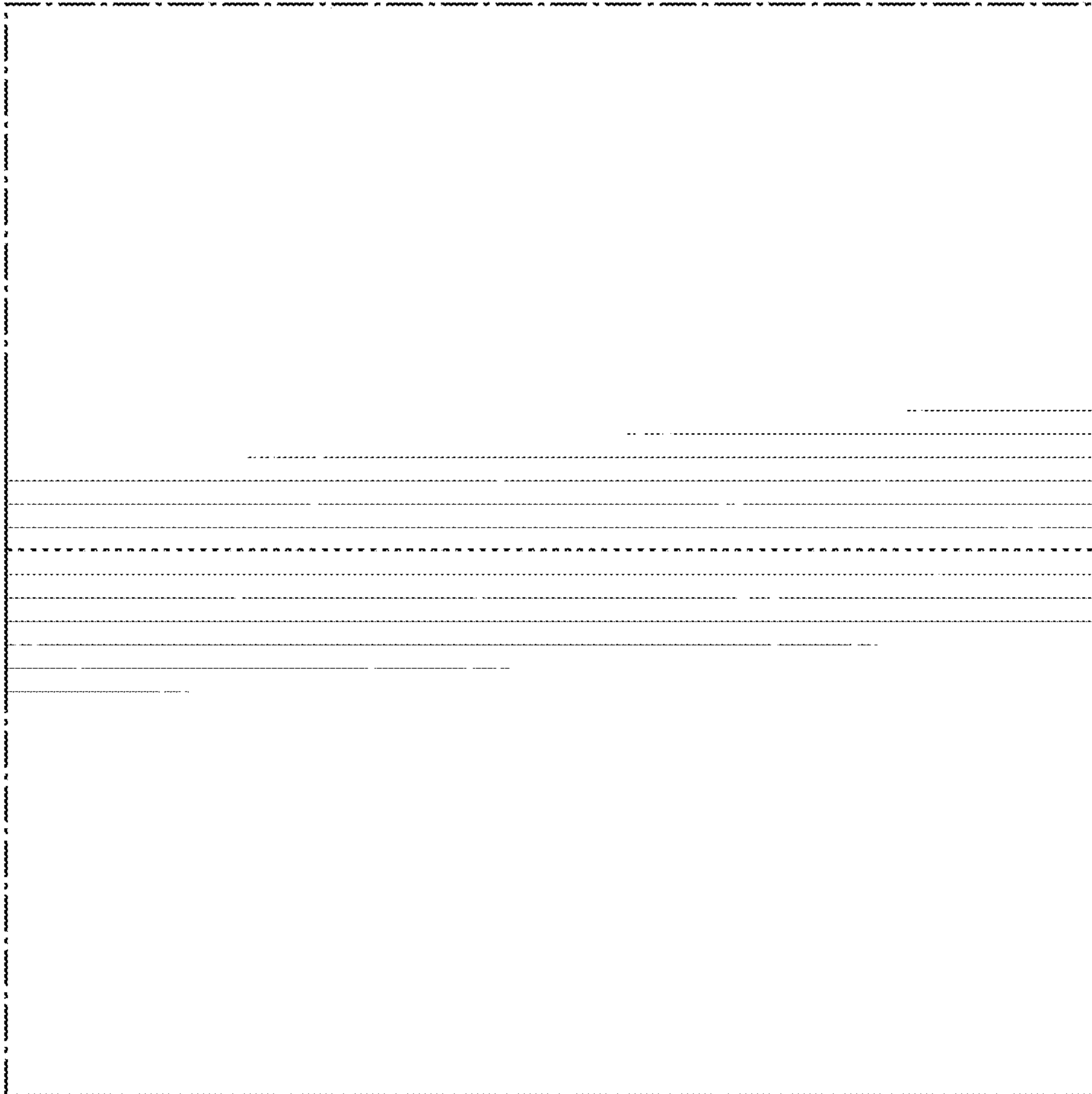
**FIG. 3**



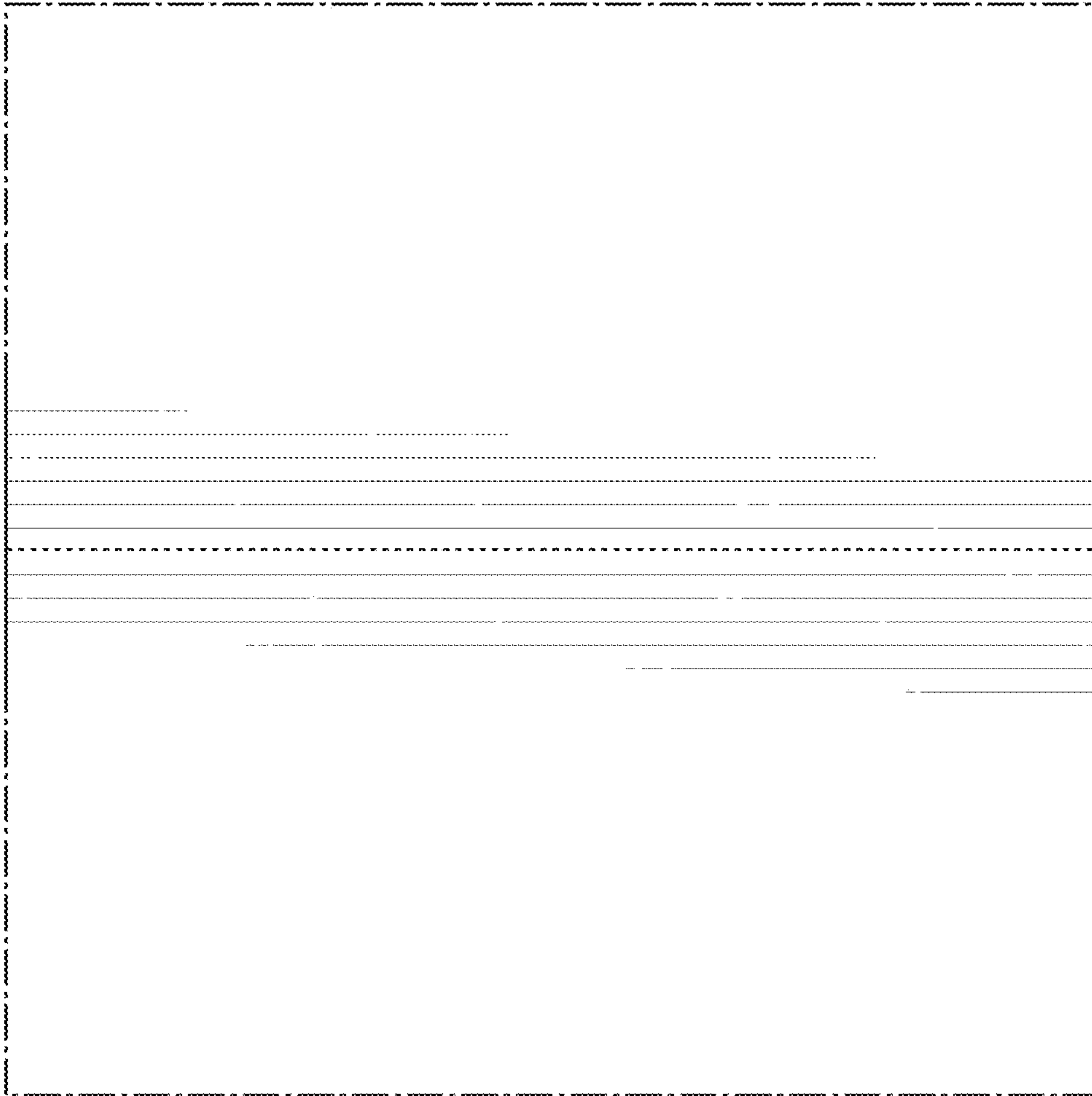
**FIG. 4**



**FIG. 5**



**FIG. 6**



**FIG. 7**