



US00D926566S

(12) **United States Design Patent** (10) **Patent No.:** **US D926,566 S**
Straszewski (45) **Date of Patent:** **** Aug. 3, 2021**

- (54) **FOLDABLE PIZZA BOX**
- (71) Applicant: **Darian Straszewski**, Owasso, OK (US)
- (72) Inventor: **Darian Straszewski**, Owasso, OK (US)
- (**) Term: **15 Years**
- (21) Appl. No.: **29/682,719**
- (22) Filed: **Mar. 7, 2019**

Related U.S. Application Data

- (63) Continuation-in-part of application No. 16/188,440, filed on Nov. 13, 2018, now Pat. No. 10,793,314.
- (51) **LOC (13) Cl.** **09-03**
- (52) **U.S. Cl.**
USPC **D9/432**
- (58) **Field of Classification Search**
USPC D9/414-423, 430-433, 434, 455, 456,
D9/721-722, 737, 756, 758, 759, 760,
D9/730, 734
CPC ... B65D 5/00; B65D 5/02; B65D 5/18; B65D
5/20
See application file for complete search history.

(56) **References Cited**

U.S. PATENT DOCUMENTS

1,912,875	A *	6/1933	Warner	B65D 5/20 229/120.09
2,955,000	A *	10/1960	Vohden	B65D 5/321 229/125.08
5,056,710	A *	10/1991	Ritter	B65D 5/6632 229/143
5,209,392	A	5/1993	Anatro		
5,375,761	A	12/1994	Sullivan et al.		
D510,264	S	10/2005	Tilley et al.		
D690,587	S *	10/2013	DeLisle	D9/423
D708,055	S *	7/2014	Elston	D9/423
8,919,635	B1 *	12/2014	Biagioni	B65D 5/4266 229/117.01

9,167,926 B1 * 10/2015 Helmuth B65D 85/36
D747,192 S 1/2016 Nietert et al.
2007/0267471 A1 11/2007 Falana
(Continued)

OTHER PUBLICATIONS

Innovative Pizza Box Design, [online] Published Jul. 27, 2009.
Retrieved from URL: <http://www.toxel.com/tech/2009/07/27/innovative-pizza-box-design/>.*

Primary Examiner — Vy N Koenig
(74) *Attorney, Agent, or Firm* — Boudwin Intellectual Property; Daniel Boudwin

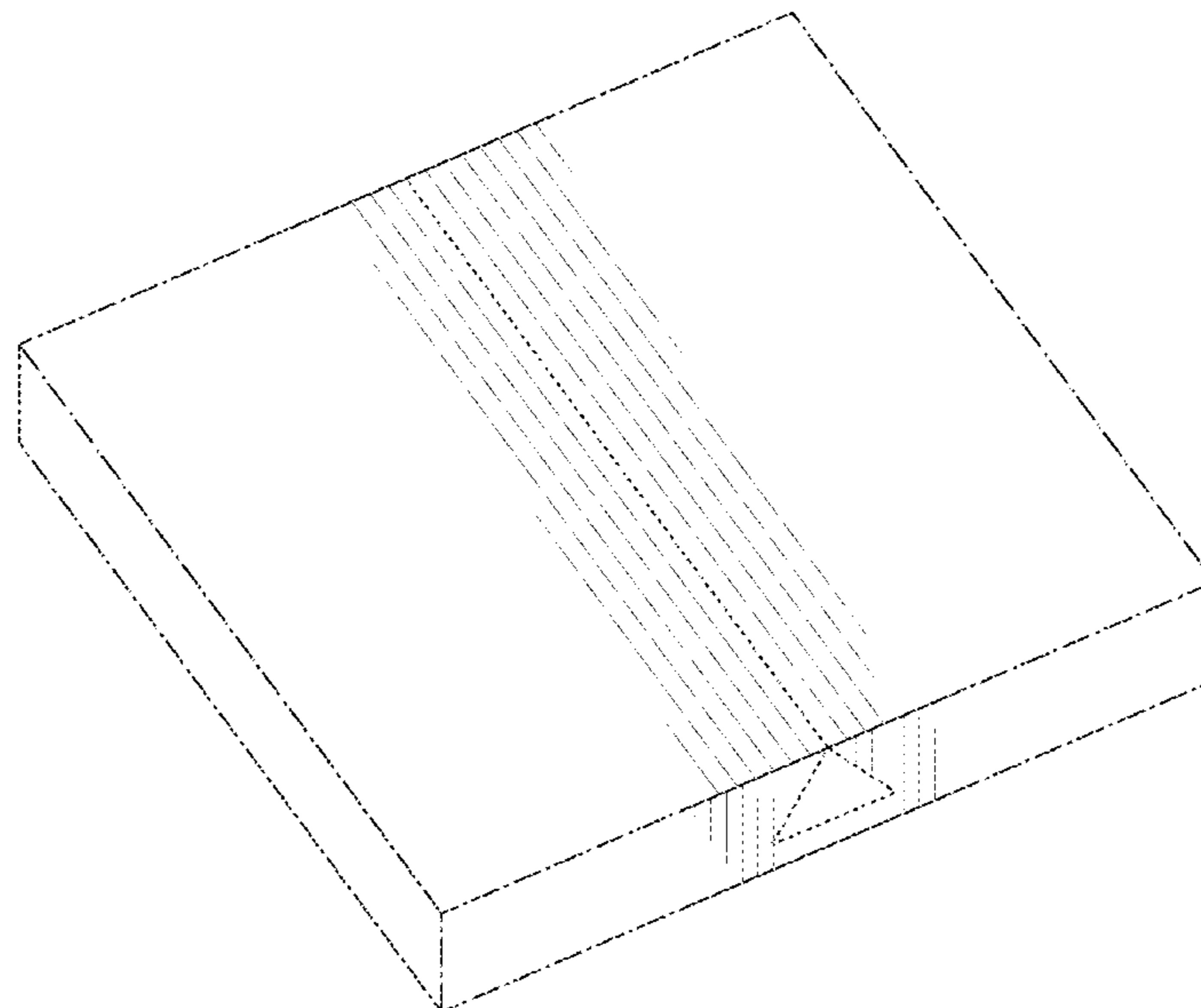
(57) **CLAIM**

The ornamental design for a foldable pizza box, as shown and described.

DESCRIPTION

FIG. 1 depicts a perspective view of a foldable pizza box according to the present invention.
FIG. 2 depicts a front elevation view of the foldable pizza box.
FIG. 3 depicts a rear elevation view of the foldable pizza box.
FIG. 4 depicts a left elevation view of the foldable pizza box.
FIG. 5 depicts a right elevation view of the foldable pizza box.
FIG. 6 depicts a top plan view of the foldable pizza box; and, FIG. 7 depicts a bottom plan view of the foldable pizza box. The dotted lines between the shade lines in FIGS. 1, 2, 3, 6, and 7 represent perforations and form part of the claimed design. The dot-dash lines in the Figures show portions of the foldable pizza box which form no part of the claimed design.

1 Claim, 4 Drawing Sheets



(56)

References Cited

U.S. PATENT DOCUMENTS

2008/0006679 A1 1/2008 Volz et al.
2013/0344211 A1 12/2013 Hemsley

* cited by examiner

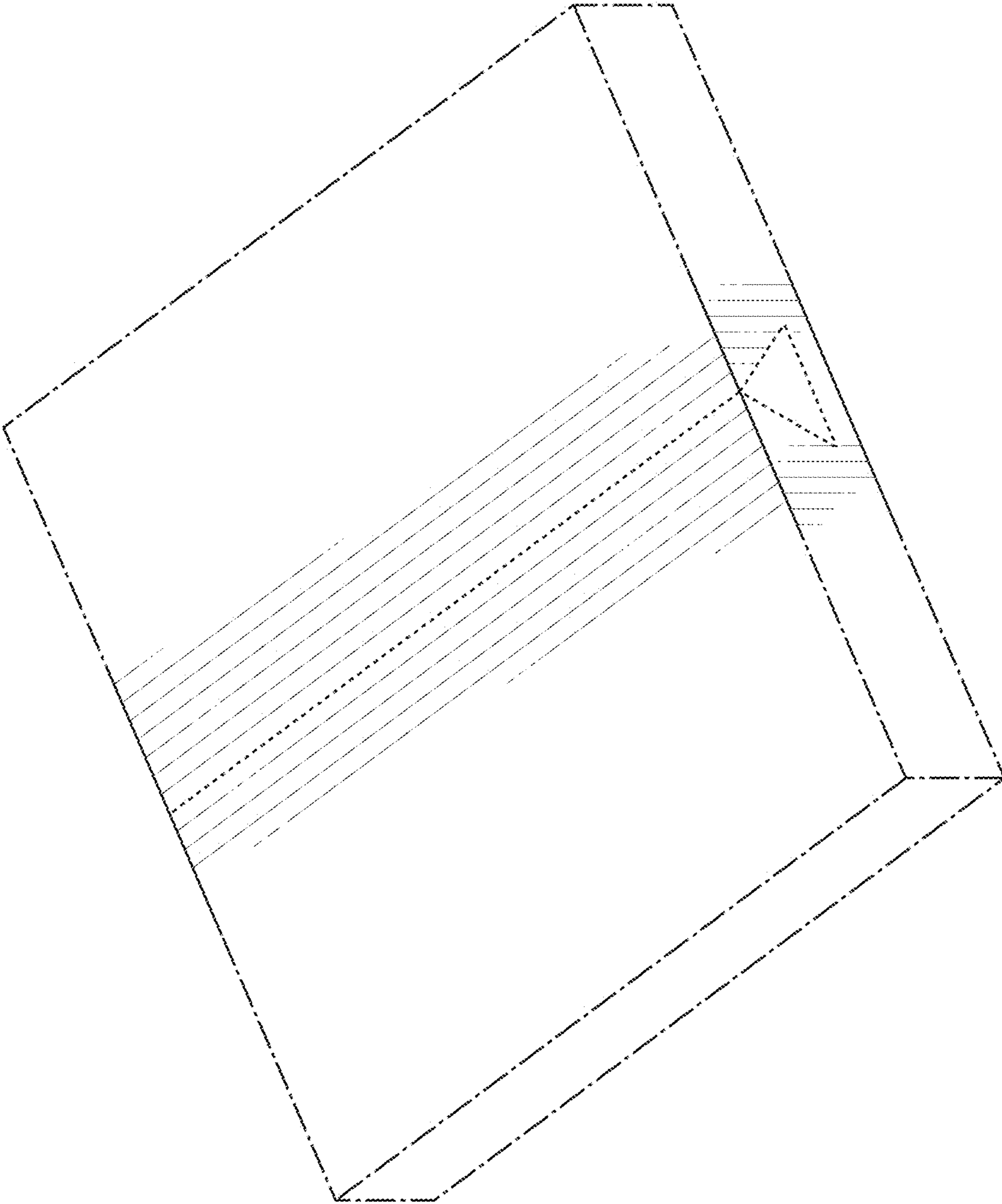


FIG. 1

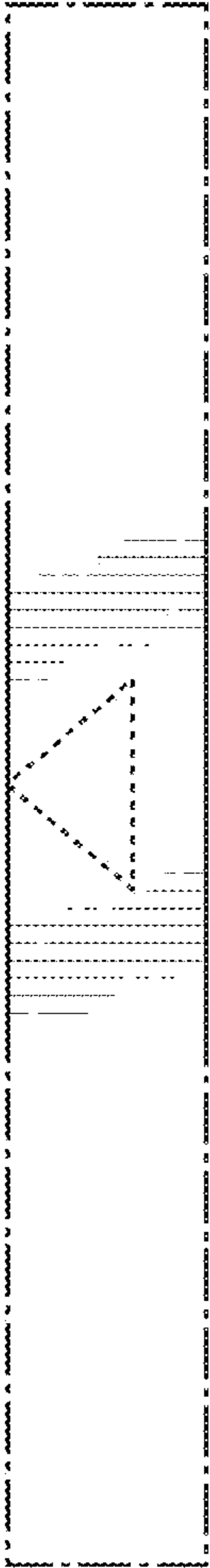


FIG. 2

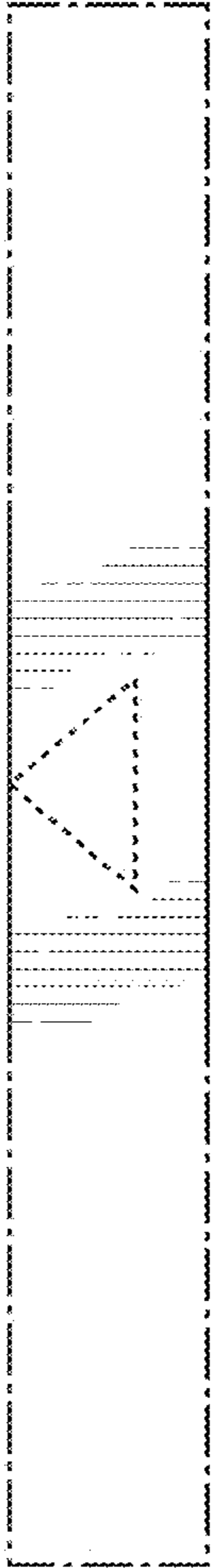


FIG. 3

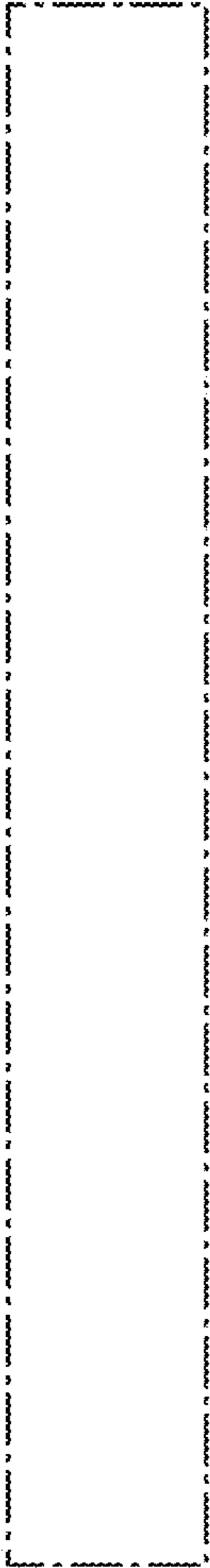


FIG. 4

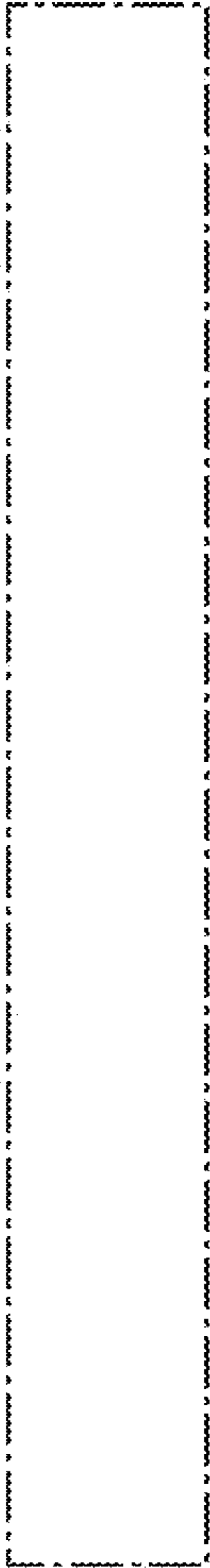


FIG. 5

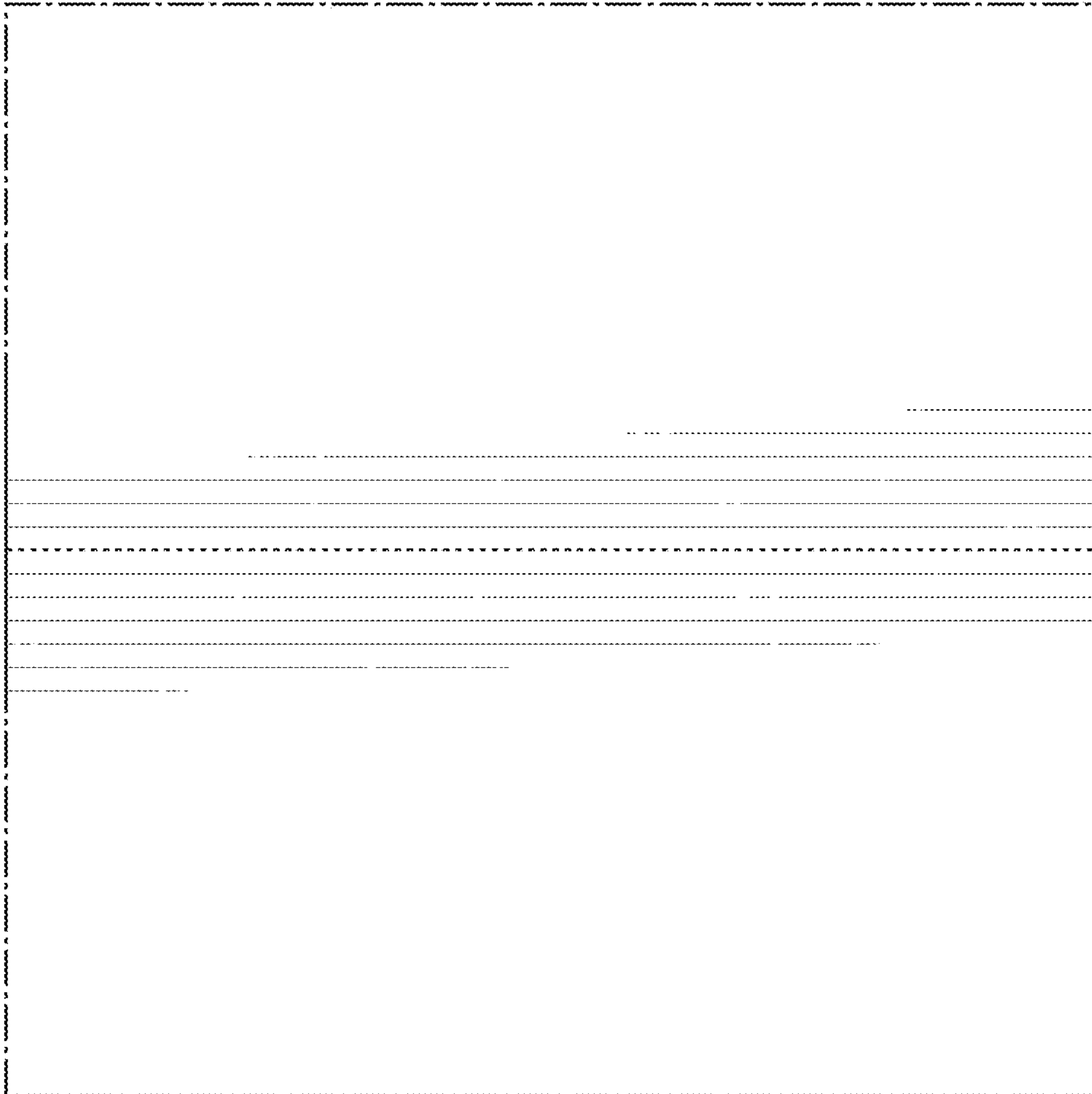


FIG. 6

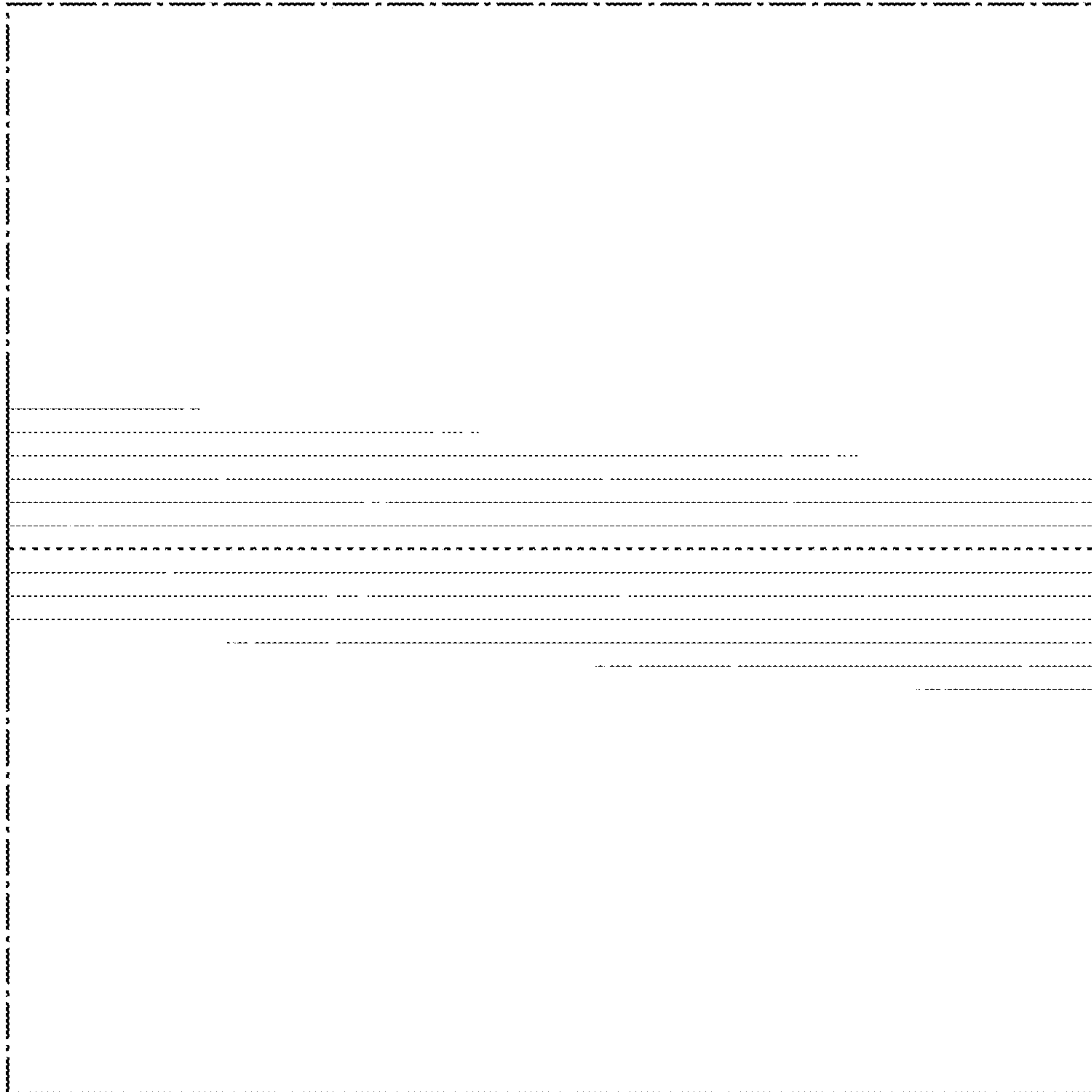


FIG. 7