

US00D926563S

(12) **United States Design Patent** (10) **Patent No.:** **US D926,563 S**  
**Cox, Jr. et al.** (45) **Date of Patent:** **\*\* Aug. 3, 2021**

(54) **SNOWGUARD**

(71) Applicant: **Advantage Plastics, Inc.**, Mountain City, TN (US)

(72) Inventors: **Timothy A. Cox, Jr.**, Mountain City, TN (US); **Timothy A. Cox**, Trade, TN (US); **Tyran A. Cox**, Mountain City, TN (US)

(73) Assignee: **ADVANTAGE PLASTICS, INC.**, Mountain City, TN (US)

(\*\*) Term: **15 Years**

(21) Appl. No.: **29/686,398**

(22) Filed: **Apr. 4, 2019**

(51) **LOC (13) Cl.** ..... **08-99**

(52) **U.S. Cl.**  
USPC ..... **D8/499**

(58) **Field of Classification Search**  
USPC ..... D8/380, 499, 354; D25/119, 120, 121, D25/123, 124, 125, 131, 132, 133, 134, D25/135, 136, 137, 164, 199  
(Continued)

(56) **References Cited**

**U.S. PATENT DOCUMENTS**

3,296,750 A 1/1967 Zaleski  
D314,506 S \* 2/1991 McMullen ..... E04D 13/10  
D8/499

(Continued)

**OTHER PUBLICATIONS**

Snow Guard with Perfect Seal\_ Amazon, Date Visited: Feb. 9, 2021, Amazon.ca, Data Available: Oct. 21, 2016, [https://www.amazon.ca/Pack-Snow-Guard-Perfect-Gasket/dp/B00IRK0816/ref=sr\\_1\\_4?dchild=1&keywords=snow+guard&qid=1612882902&sr=8-4](https://www.amazon.ca/Pack-Snow-Guard-Perfect-Gasket/dp/B00IRK0816/ref=sr_1_4?dchild=1&keywords=snow+guard&qid=1612882902&sr=8-4) (Year: 2016).\*

(Continued)

*Primary Examiner* — Susan Bennett Hattan  
*Assistant Examiner* — Elizabeth S Ko  
(74) *Attorney, Agent, or Firm* — Shane Cortesi

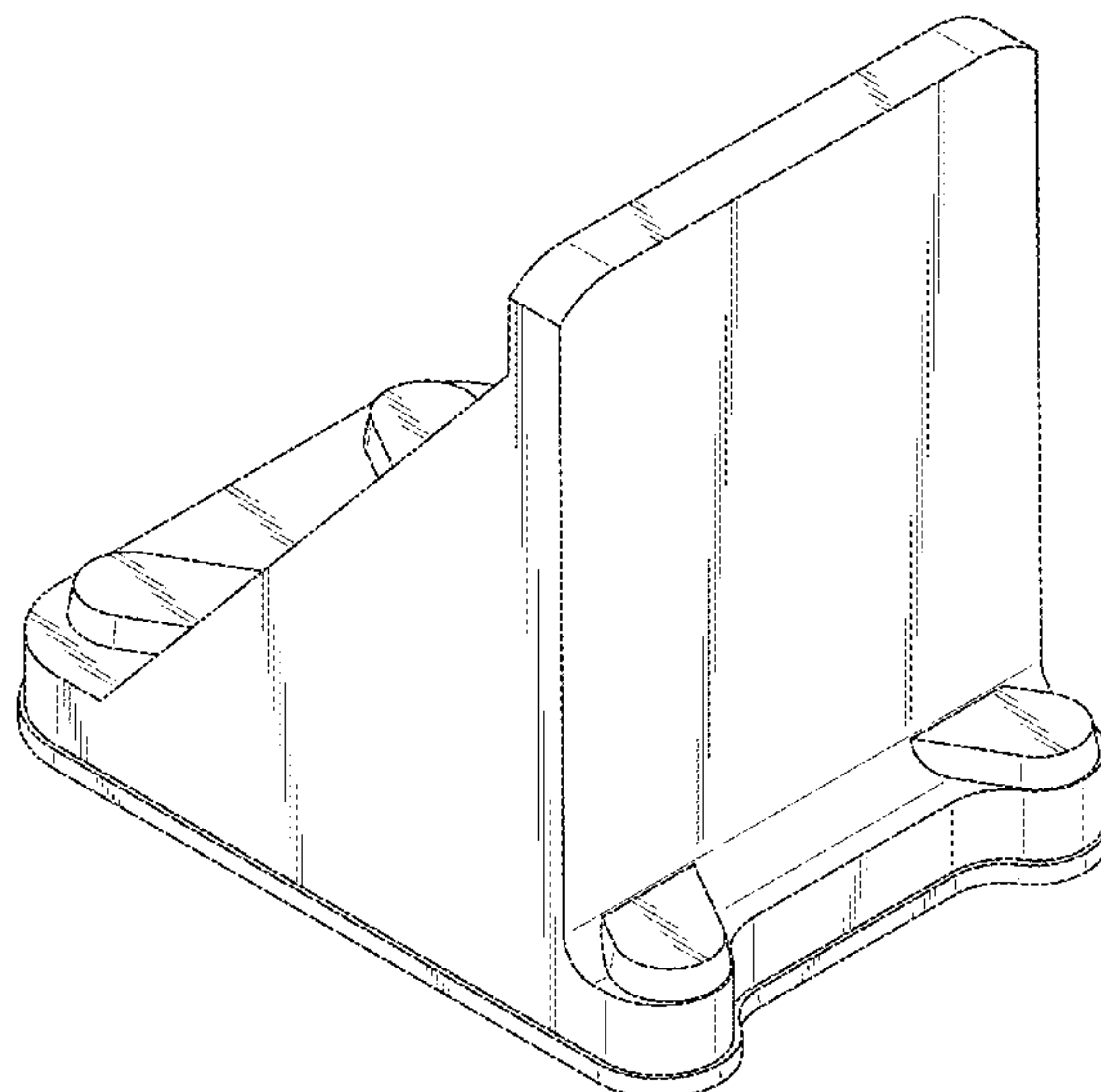
(57) **CLAIM**

The ornamental design for a snowguard, as shown and described.

**DESCRIPTION**

FIG. 1 is a top front left perspective view of a snowguard in accordance with one embodiment of the present invention. FIG. 2 is a top rear left perspective view thereof. FIG. 3 is a bottom rear right perspective view thereof. FIG. 4 is a front elevation view thereof. FIG. 5 is a rear elevation view thereof. FIG. 6 is a right side elevation view thereof, with the left side being a mirror image thereof. FIG. 7 is a top plan view thereof. FIG. 8 is bottom plan view thereof. FIG. 9 is a top rear left exploded perspective view thereof. FIG. 10 is a bottom rear right exploded perspective view thereof. FIG. 11 is a top front left perspective view of a snowguard in accordance with another embodiment of the present invention. FIG. 12 is a top rear left perspective view thereof. FIG. 13 is a bottom rear right perspective view thereof. FIG. 14 is a front elevation view thereof. FIG. 15 is a rear elevation view thereof. FIG. 16 is a right side elevation view thereof, with the left side being a mirror image thereof. FIG. 17 is a top plan view thereof. FIG. 18 is bottom plan view thereof. FIG. 19 is a top rear left exploded perspective view thereof; and, FIG. 20 is a bottom rear right exploded perspective view thereof.

**1 Claim, 20 Drawing Sheets**



(58) **Field of Classification Search**

CPC ..... E04H 2004/146; E04H 2004/147; E06B  
1/32; E06B 1/34; E06B 1/524; E06B  
2003/7049; E04B 2005/176; E04B  
2005/324; E04D 13/0641; E04D 13/064;  
E04D 13/0725

See application file for complete search history.

D617,181 S \* 6/2010 McMullen ..... D8/499  
D689,359 S \* 9/2013 Fisher ..... D8/499  
9,121,180 B2 \* 9/2015 Stanley ..... E04D 13/1407  
10,612,242 B1 \* 4/2020 Cox, Jr. .... E04D 13/10  
2016/0123016 A1 \* 5/2016 Hudson ..... E04D 13/10  
52/24

OTHER PUBLICATIONS

(56)

**References Cited**

U.S. PATENT DOCUMENTS

5,349,791 A \* 9/1994 Zaleski ..... E04D 13/10  
52/24  
D360,476 S \* 7/1995 Smeja ..... D25/199  
D389,253 S \* 1/1998 Alberson ..... D25/133  
5,901,507 A 5/1999 Smeja et al.  
6,256,934 B1 \* 7/2001 Alley ..... E04D 13/10  
52/24  
D455,068 S \* 4/2002 Mullane ..... D8/499  
D457,423 S \* 5/2002 Mullane ..... D25/199  
D475,613 S \* 6/2003 Mullane ..... D8/499  
D482,604 S \* 11/2003 Smeja ..... D8/499  
D499,011 S \* 11/2004 Rizzo ..... D8/499  
D499,332 S \* 12/2004 Rizzo ..... D8/499  
D505,065 S \* 5/2005 Smeja ..... D8/499  
D512,303 S \* 12/2005 Prichard, Jr. .... D8/499  
6,996,938 B1 \* 2/2006 Mullane ..... E04D 13/10  
52/24  
D537,336 S \* 2/2007 Fisher ..... E04D 13/10  
D8/499  
D553,972 S \* 10/2007 Prichard, Jr. .... D8/499

UV Clear Mini Snow Guard with Perfect Seal Gasket—The Home Depot, Date Visited: Feb. 9, 2021, Homedepot.com, Data Available: Oct. 13, 2016, <https://www.homedepot.com/p/UV-Clear-1-5-in-Mini-Snow-Guard-with-Perfect-Seal-Gasket-apminicl/207181901> (Year: 2016).\*

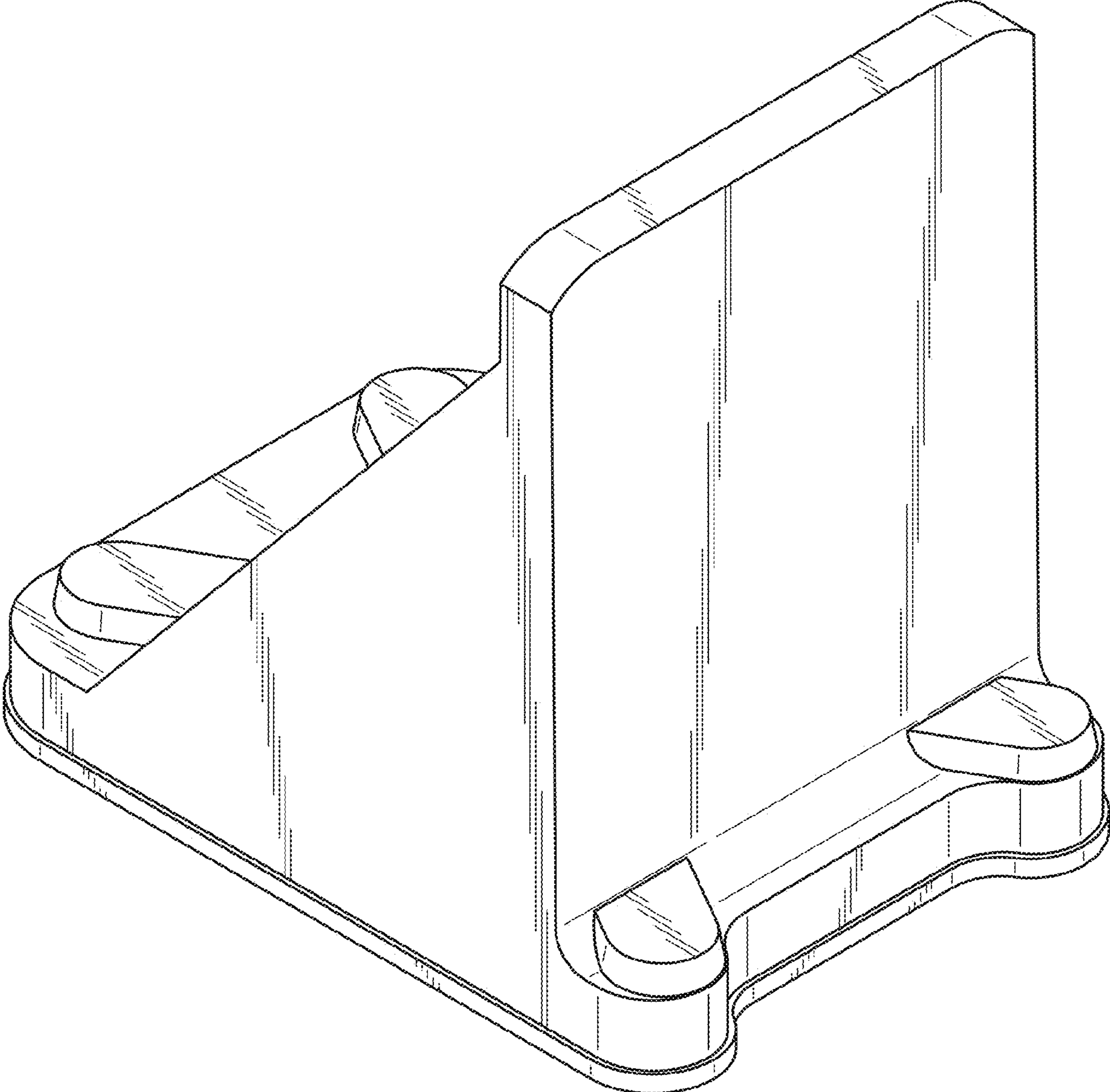
JSP Manufacturing Plastic Mini Snow Guard Amazon, Date Visited: Feb. 9, 2021, Amazon.com, Data Available: Jan. 31, 2018, <https://www.amazon.com/Plastic-Guard-Prevent-Sliding-Buildup-Acrylic/dp/B016X0AJIS> (Year: 2018).\*

Snow Guard Micro, Date Visited: Feb. 9, 2021, Amazon.com, Data Available: Jul. 12, 2019, [https://www.amazon.com/Sliding-Roofing-Gutter-Guards-Stoppers/dp/B07V2Q8RD6/ref=sr\\_1\\_5?dchild=1&keywords=Snow+Guard&qid=1612883170%E2%80%A6](https://www.amazon.com/Sliding-Roofing-Gutter-Guards-Stoppers/dp/B07V2Q8RD6/ref=sr_1_5?dchild=1&keywords=Snow+Guard&qid=1612883170%E2%80%A6) (Year: 2019).\*

Plastic Furniture Corner Brace Joint 4-Hole, Date Visited: Feb. 9, 2021, Amazon.com, Data Available: Dec. 16, 2019, <https://www.amazon.com/JCBIZ-Plastic-Furniture-Support-Bracket/dp/B07K9S49X7> (Year: 2019).\*

UV Clear 1.5 in Mini Snow Guard with Perfect Seal Gasket, The Home Depot (last accessed Feb. 13, 2019).

\* cited by examiner



*FIG. 1*



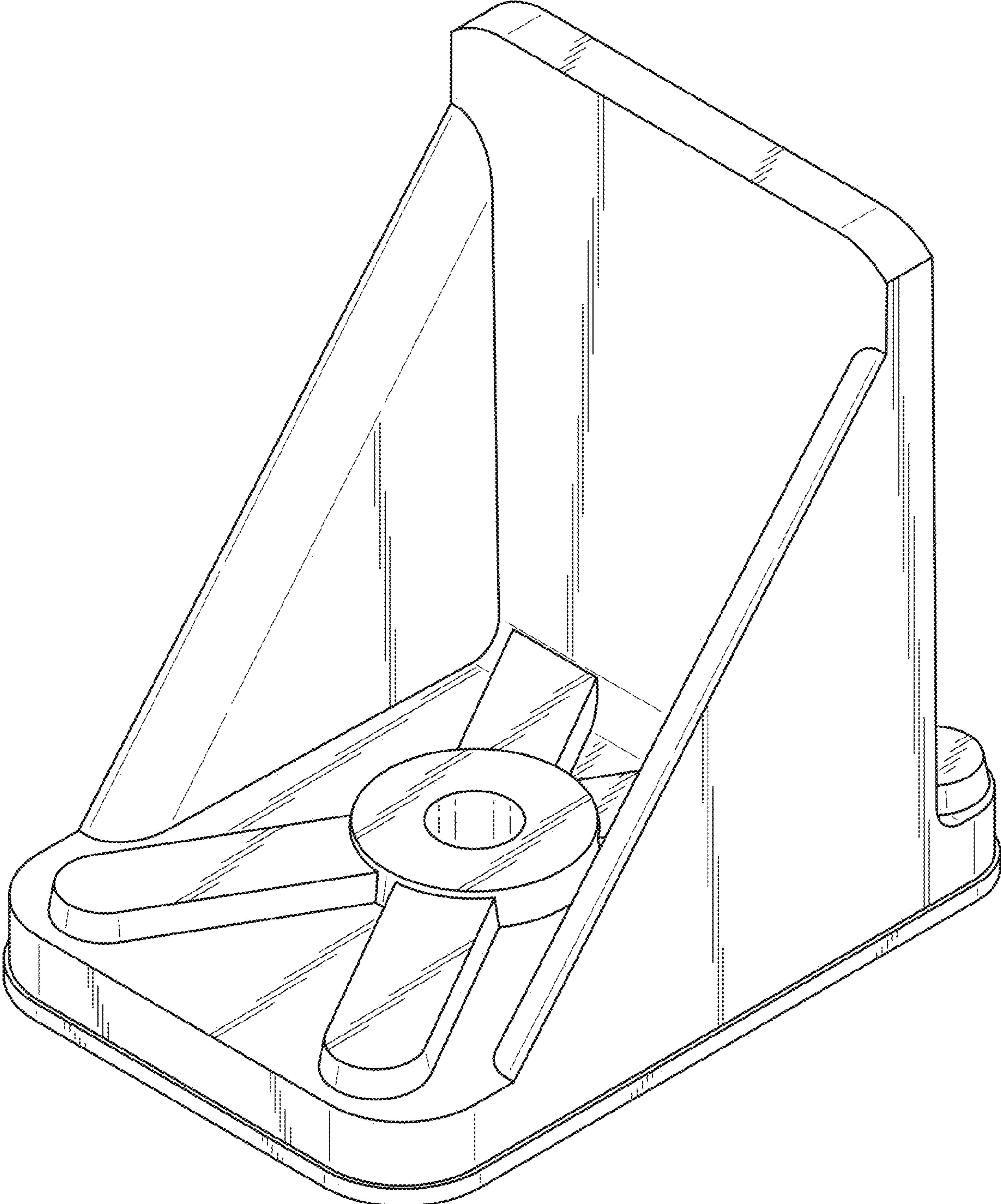
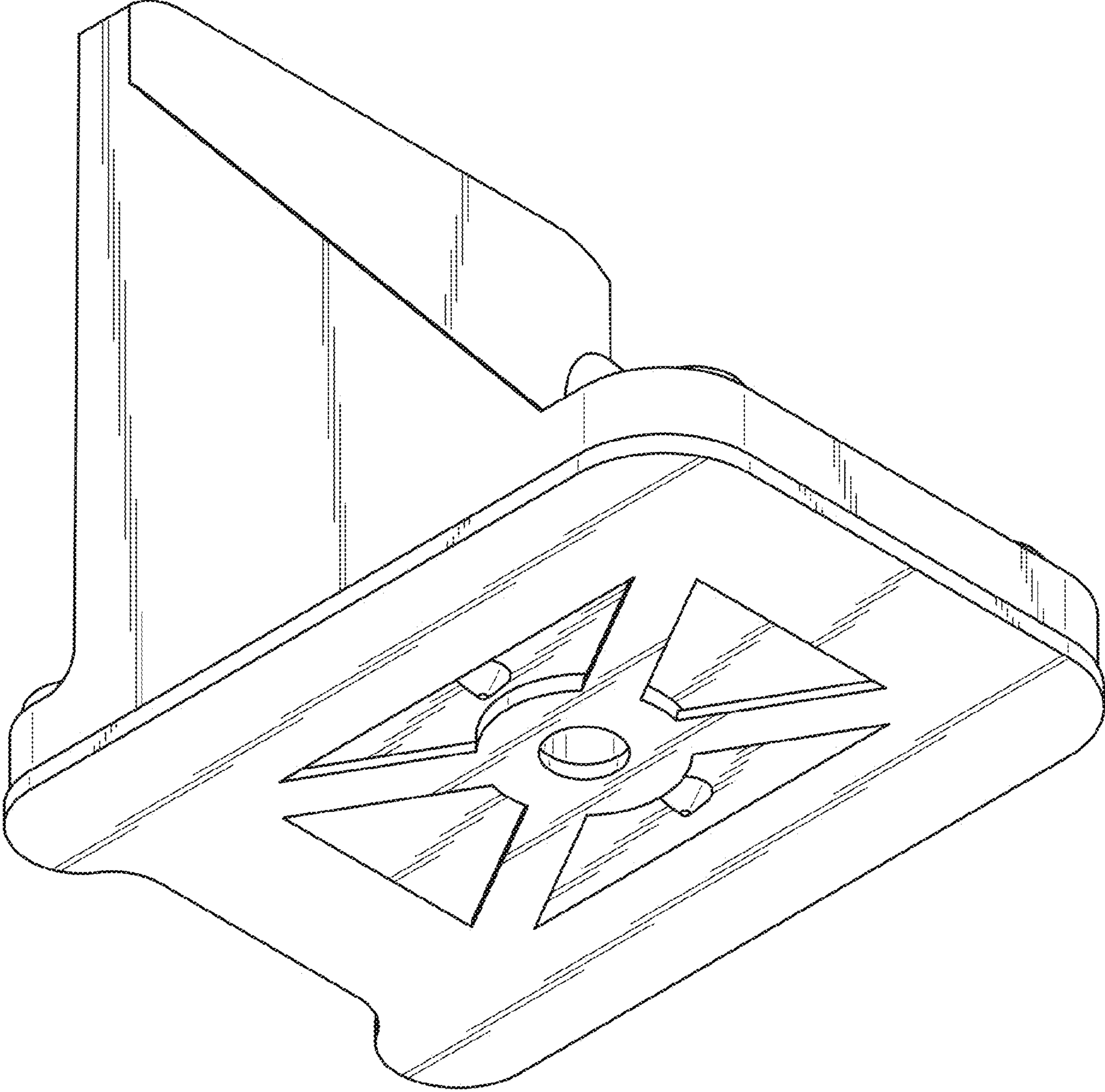
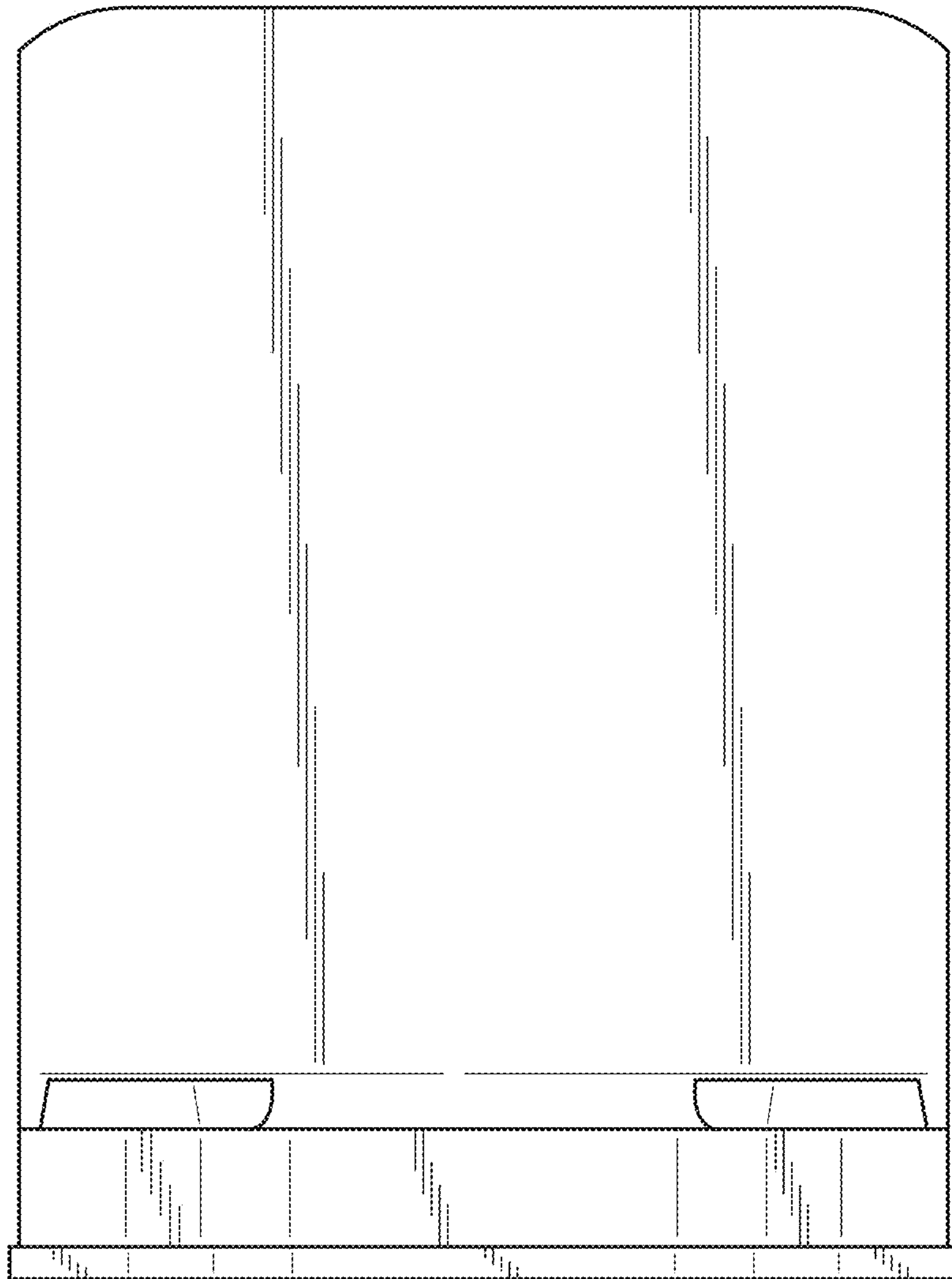


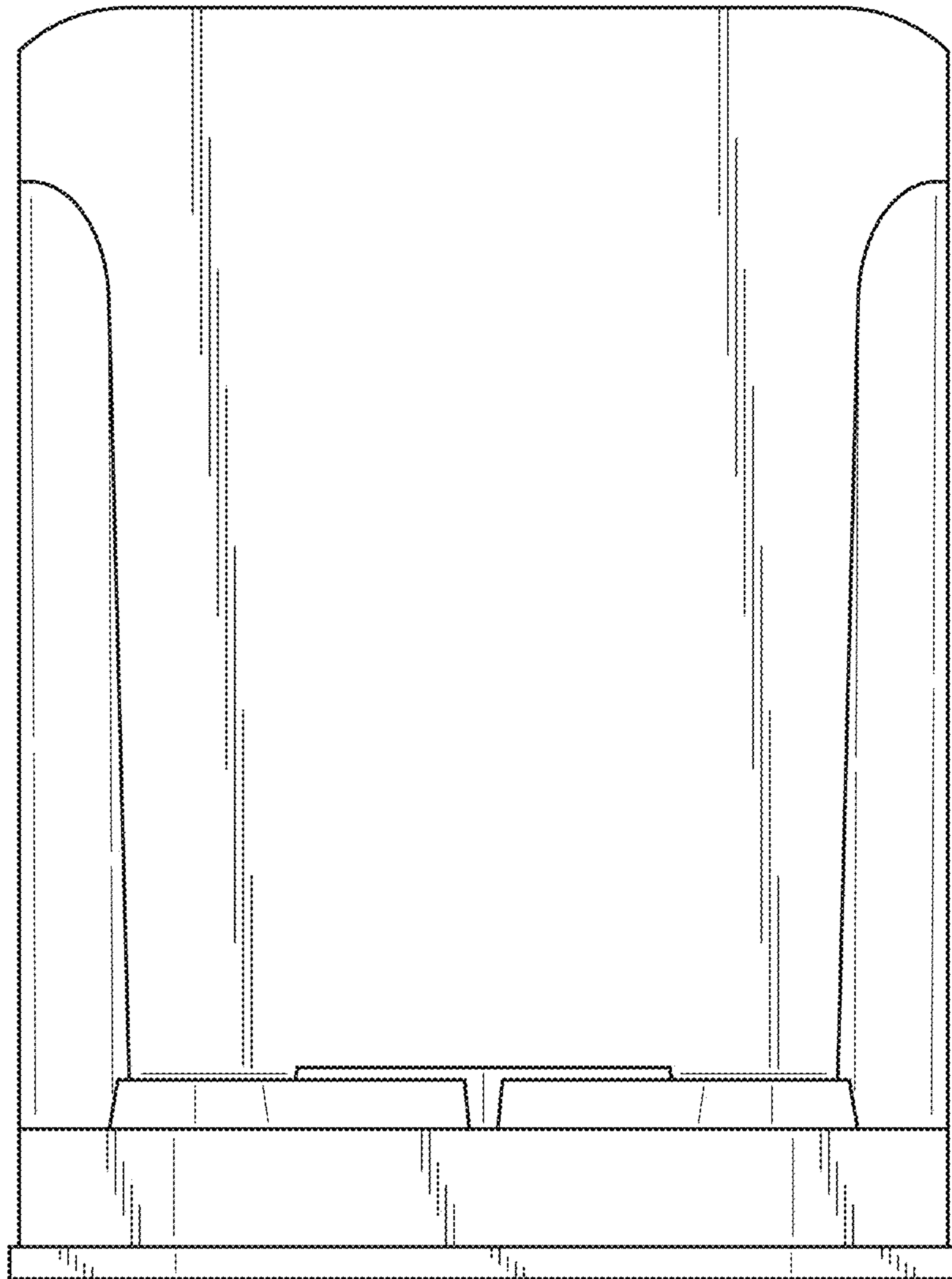
FIG. 2



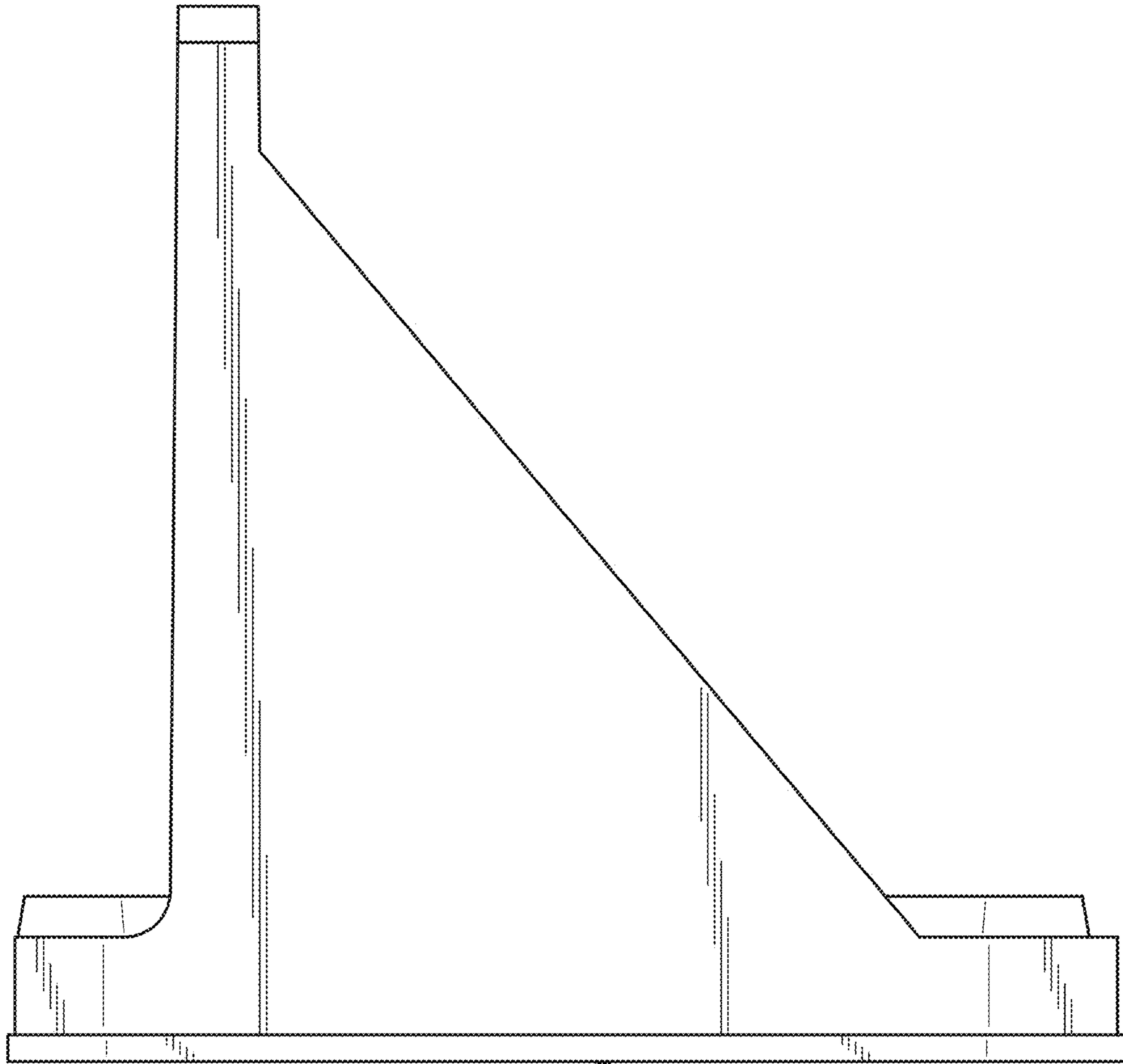
*FIG. 3*



*FIG. 4*

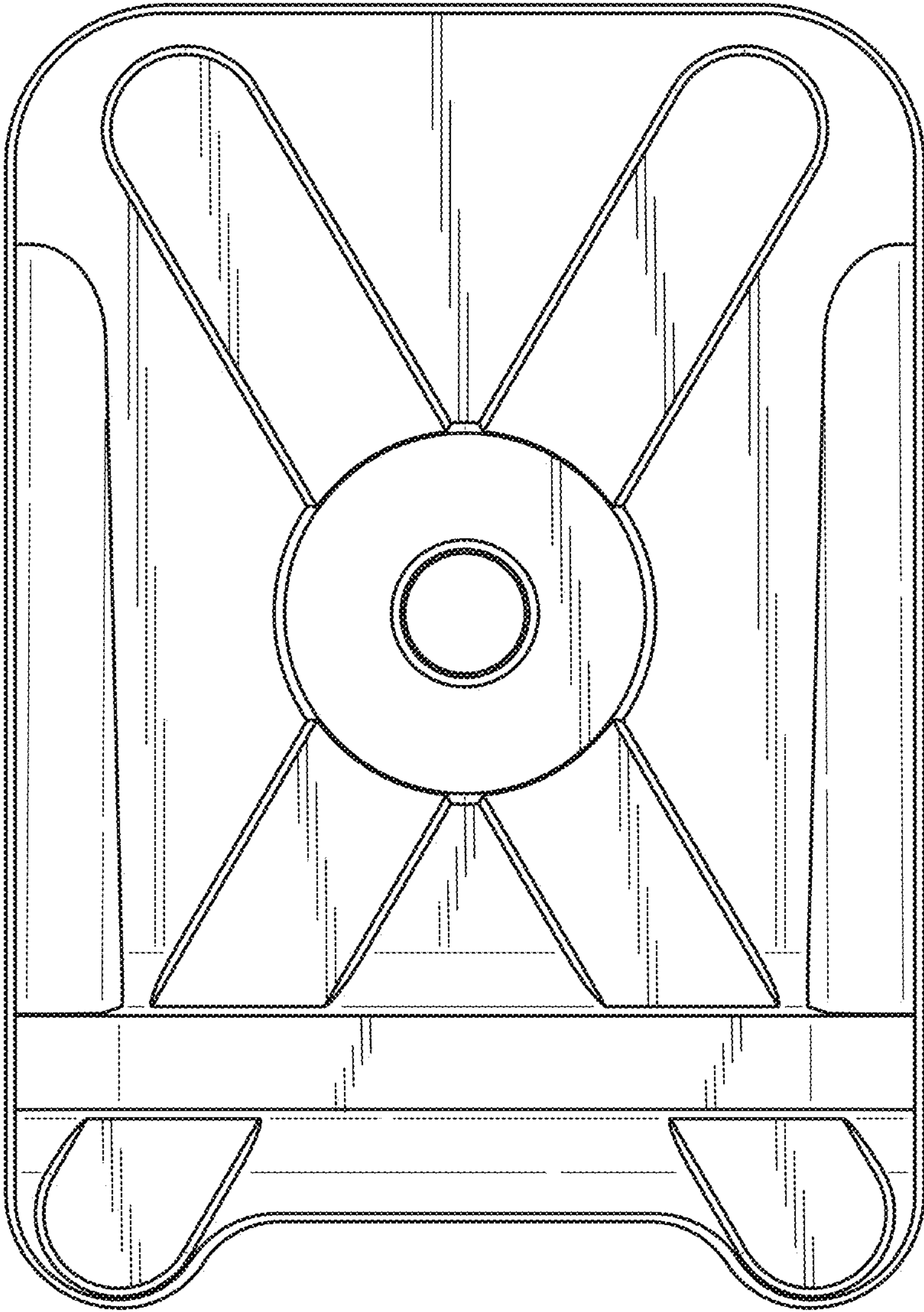


*FIG. 5*

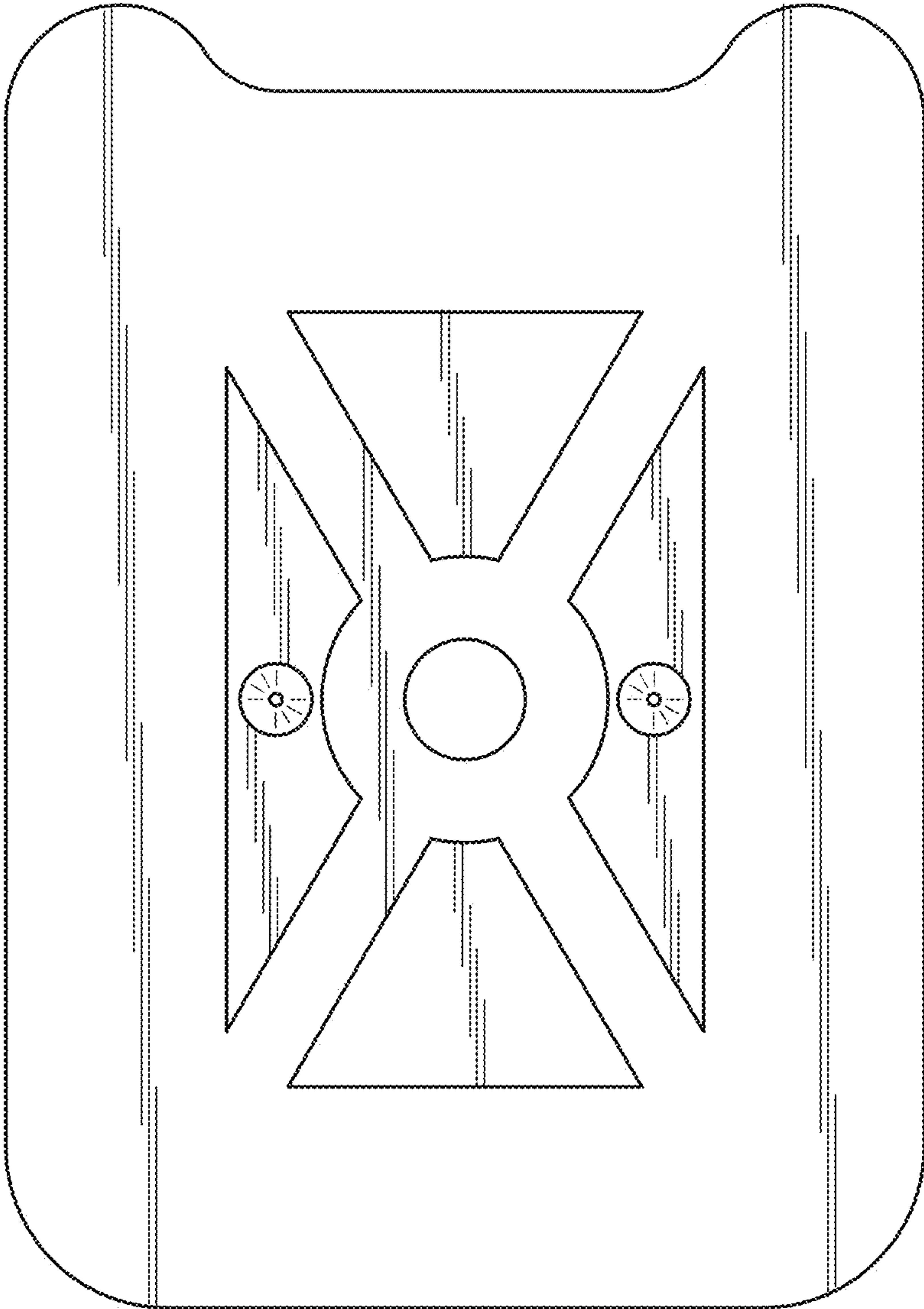


*FIG. 6*

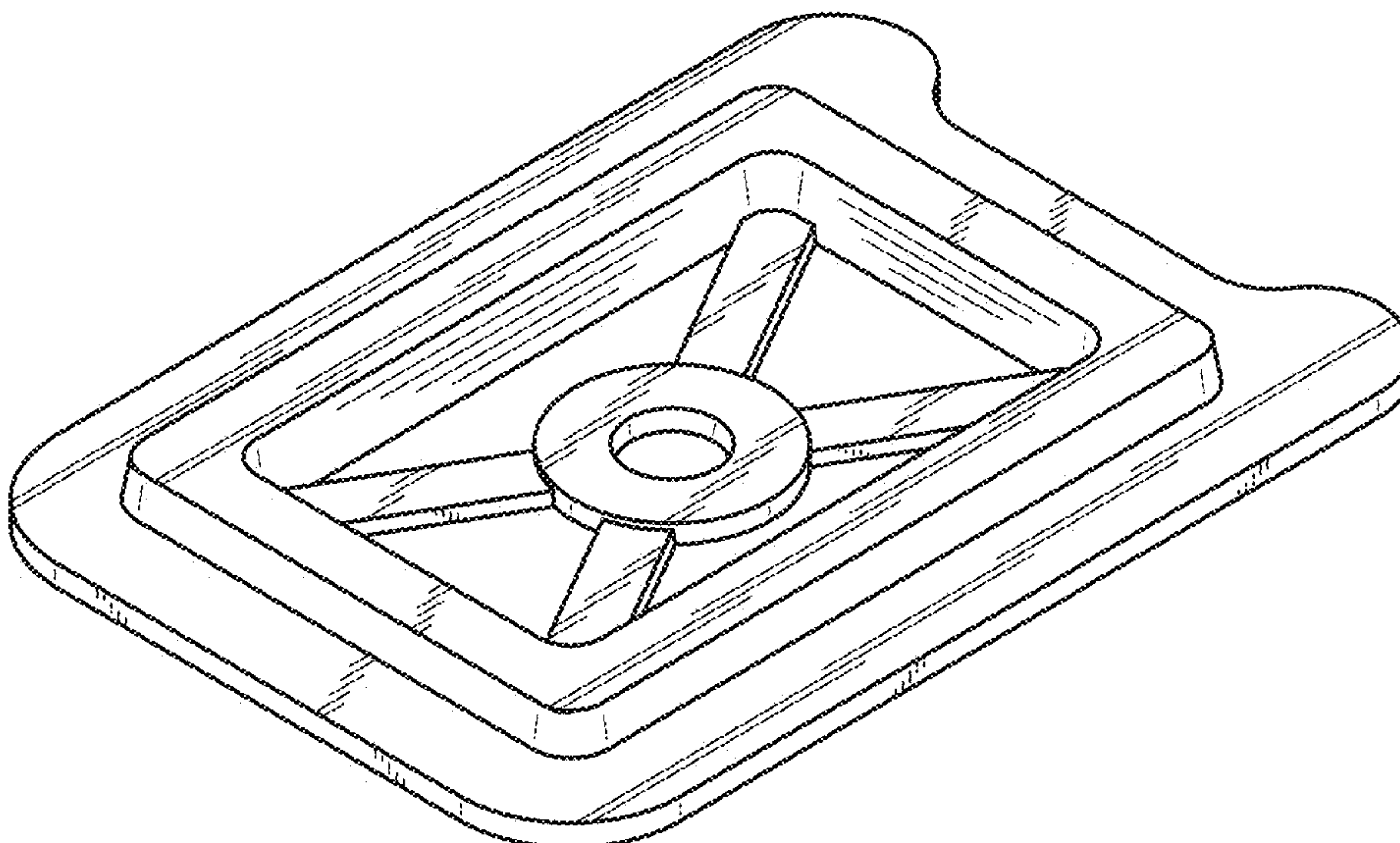
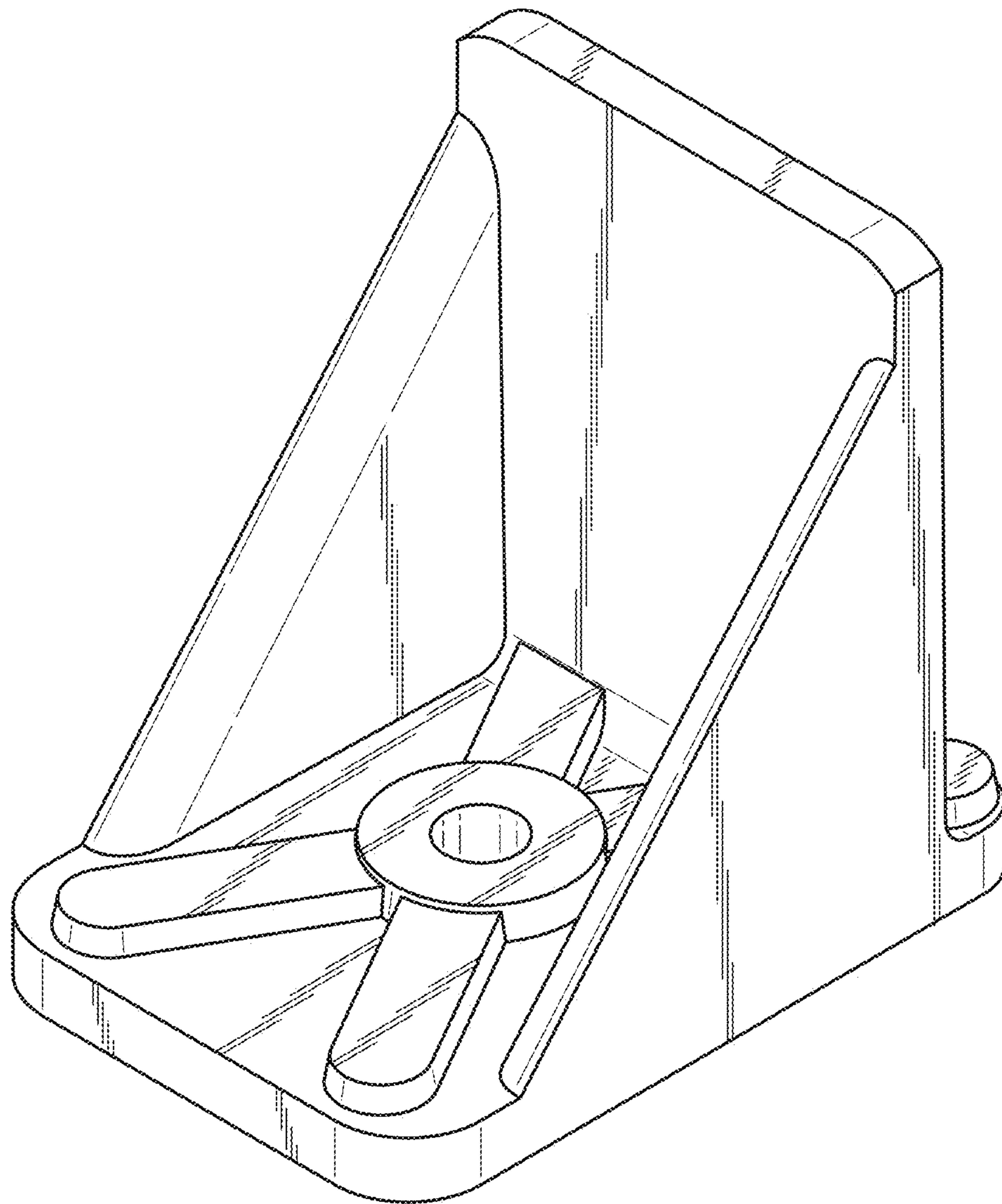




*FIG. 7*

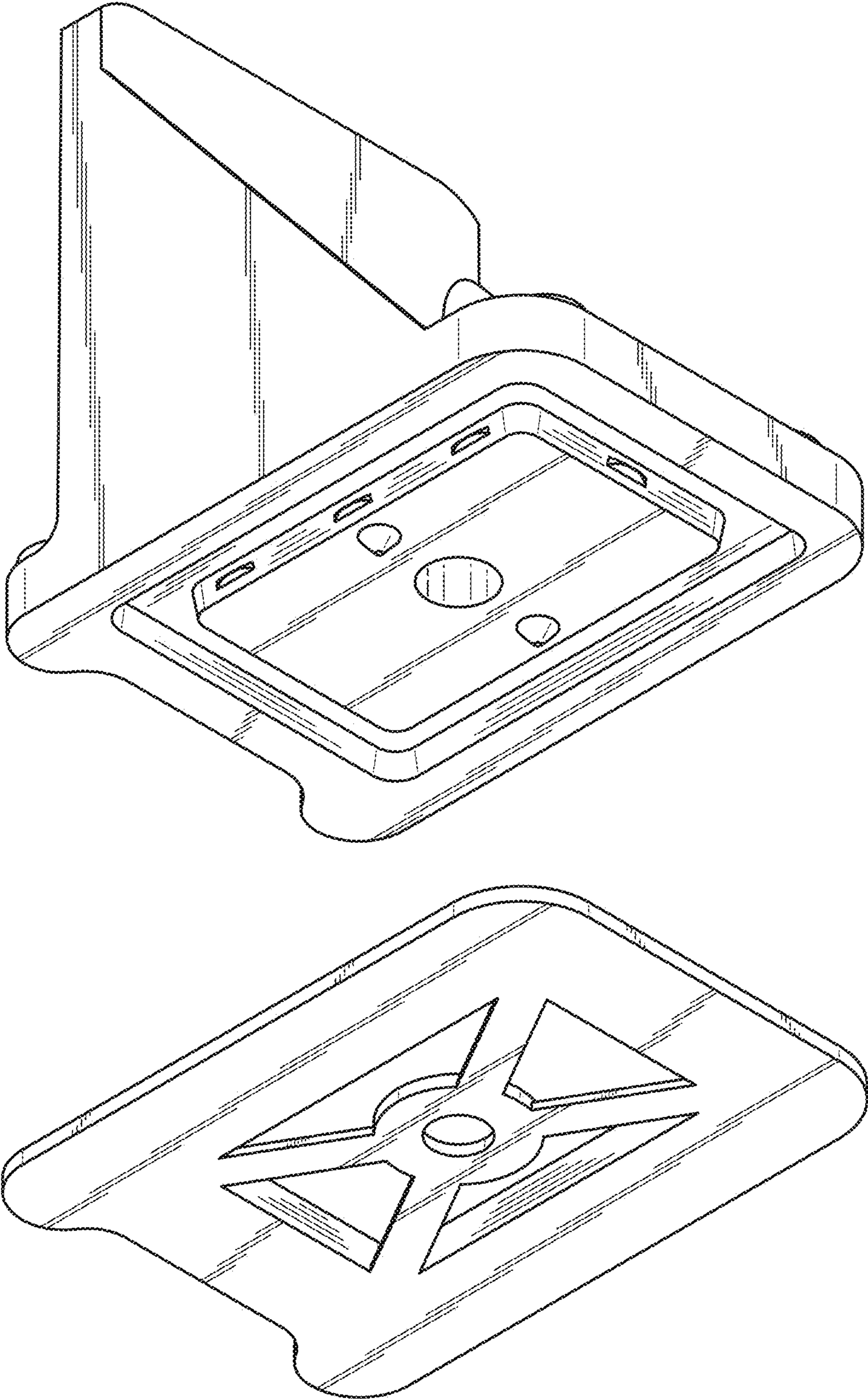


*FIG. 8*



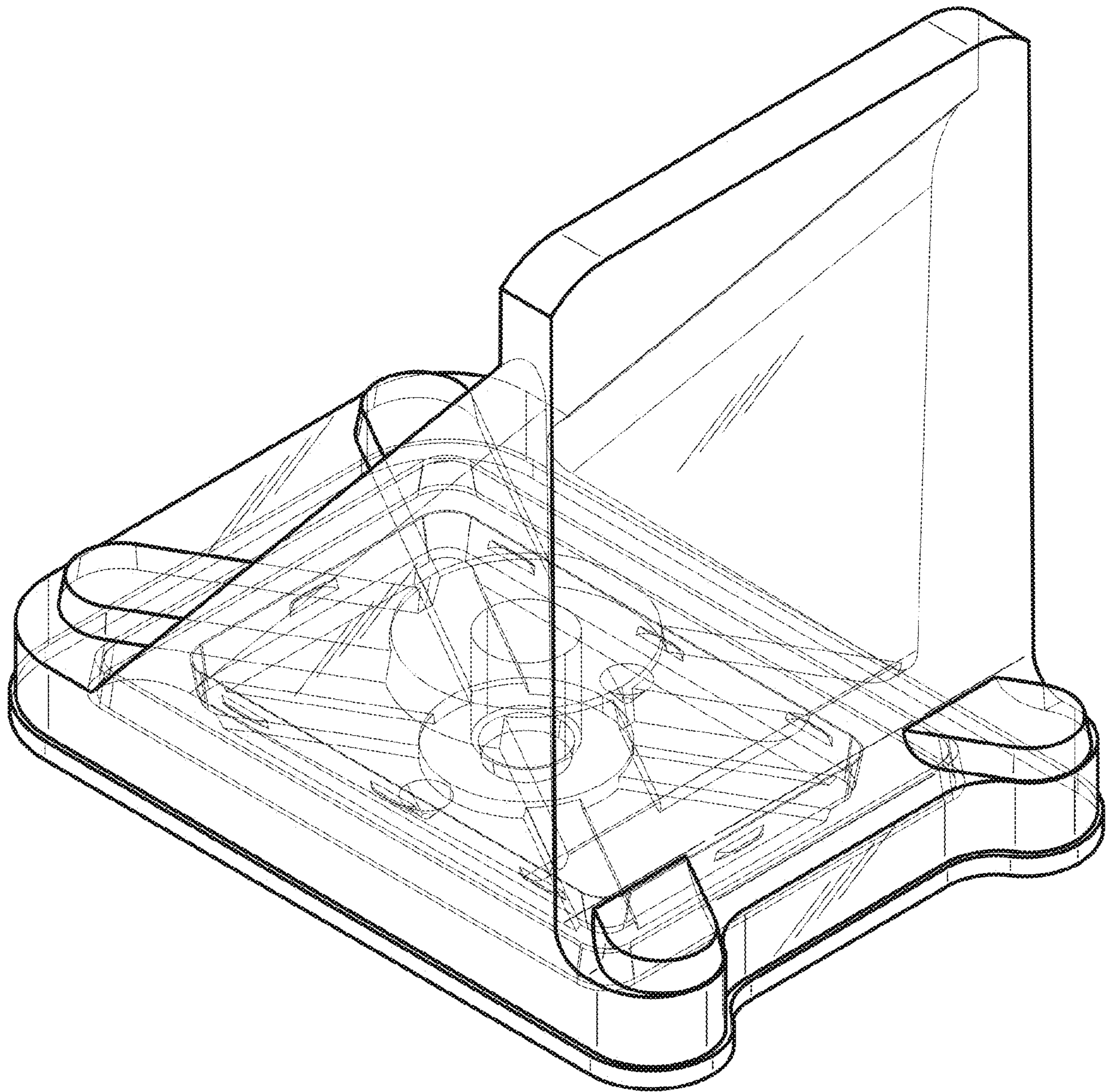
*FIG. 9*



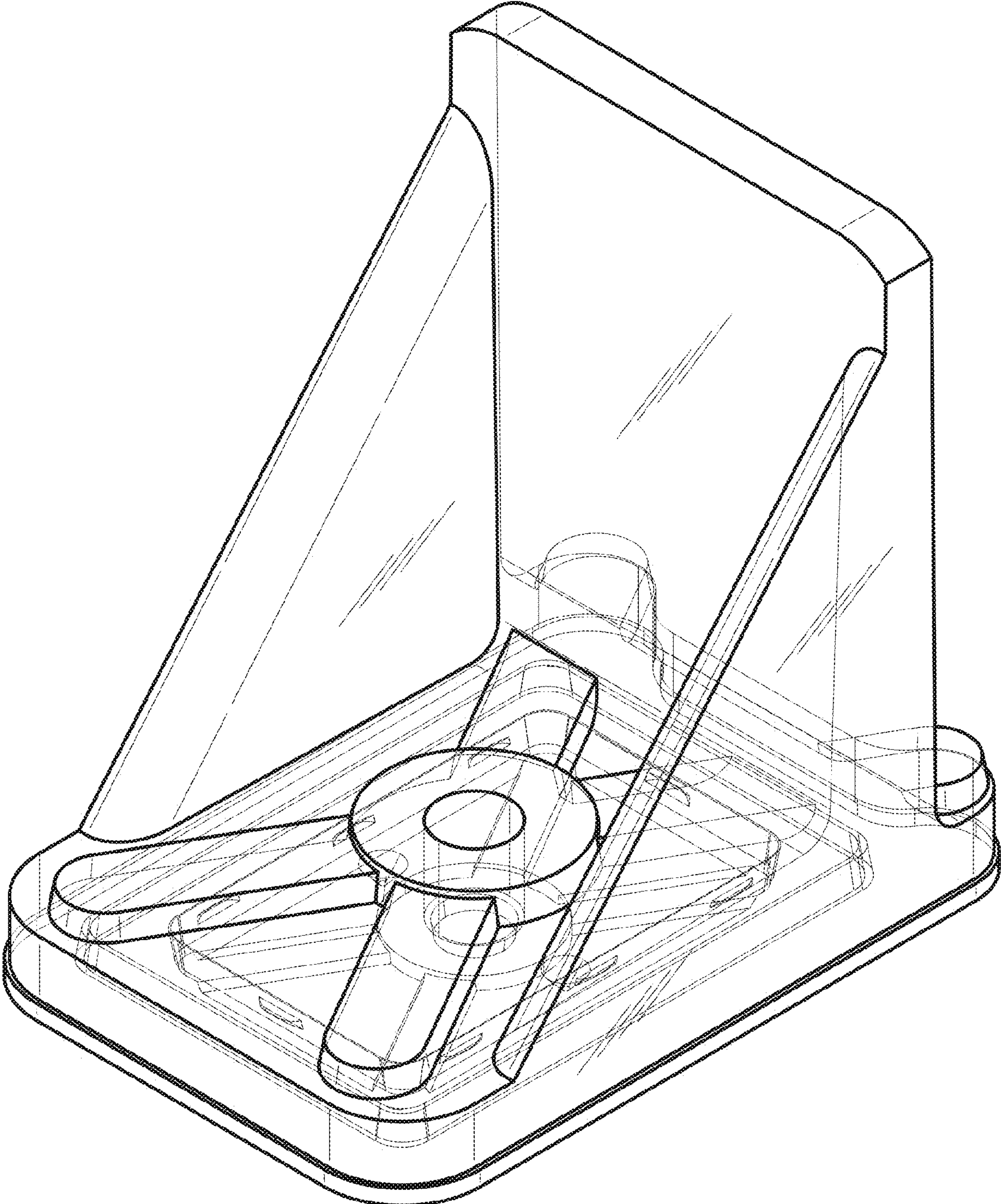


*FIG. 10*



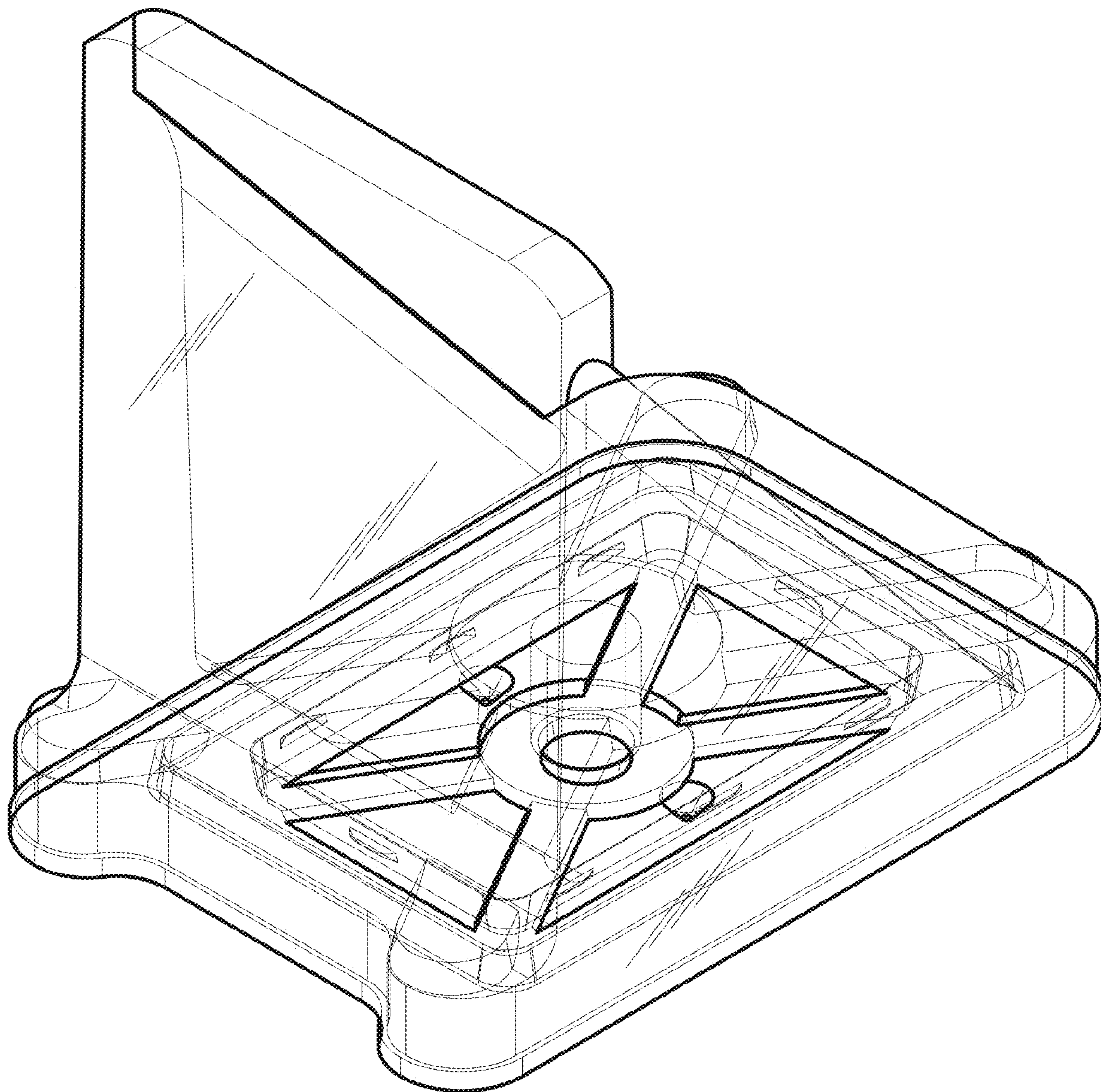


*FIG. 11*

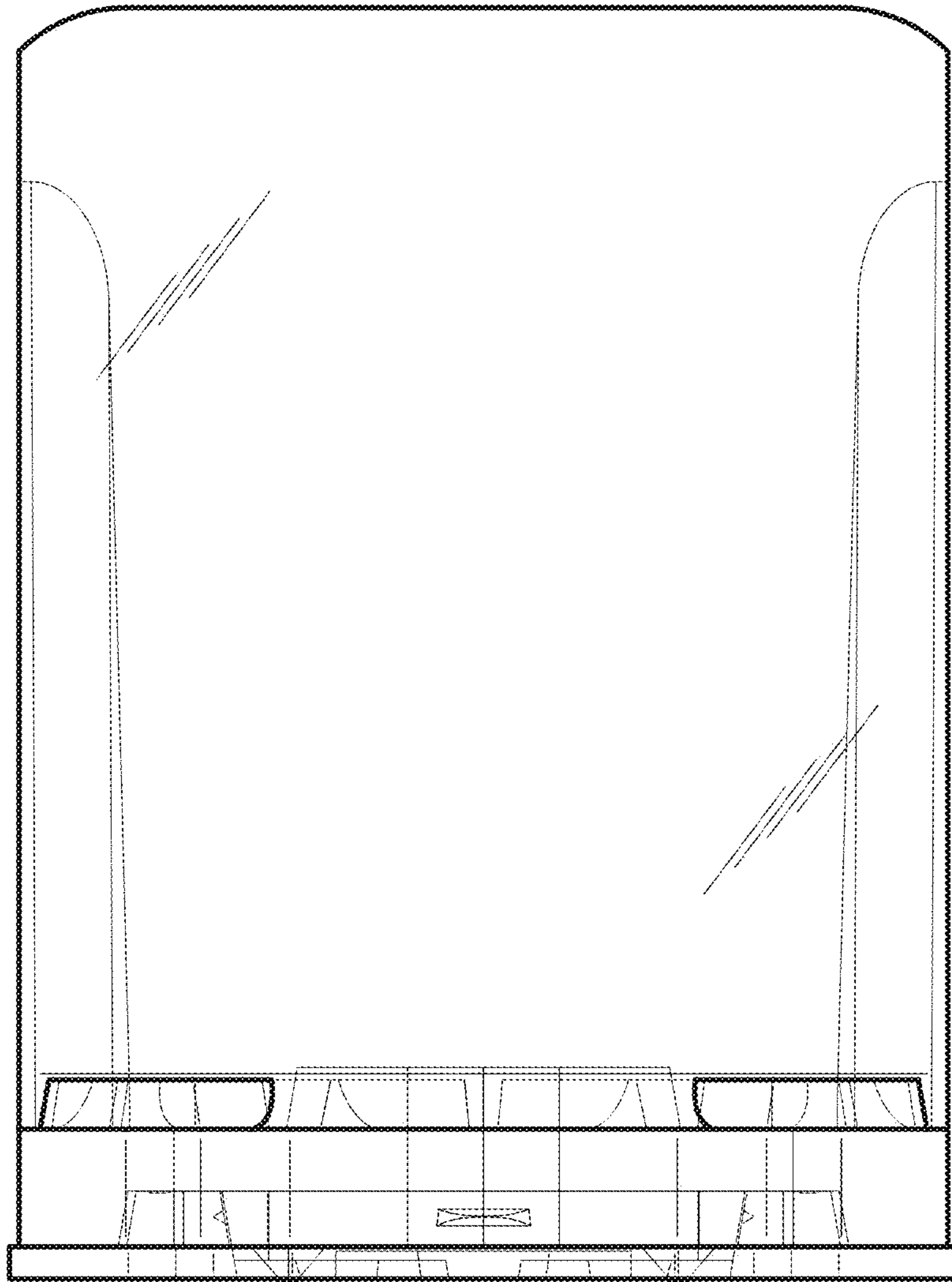


*FIG. 12*



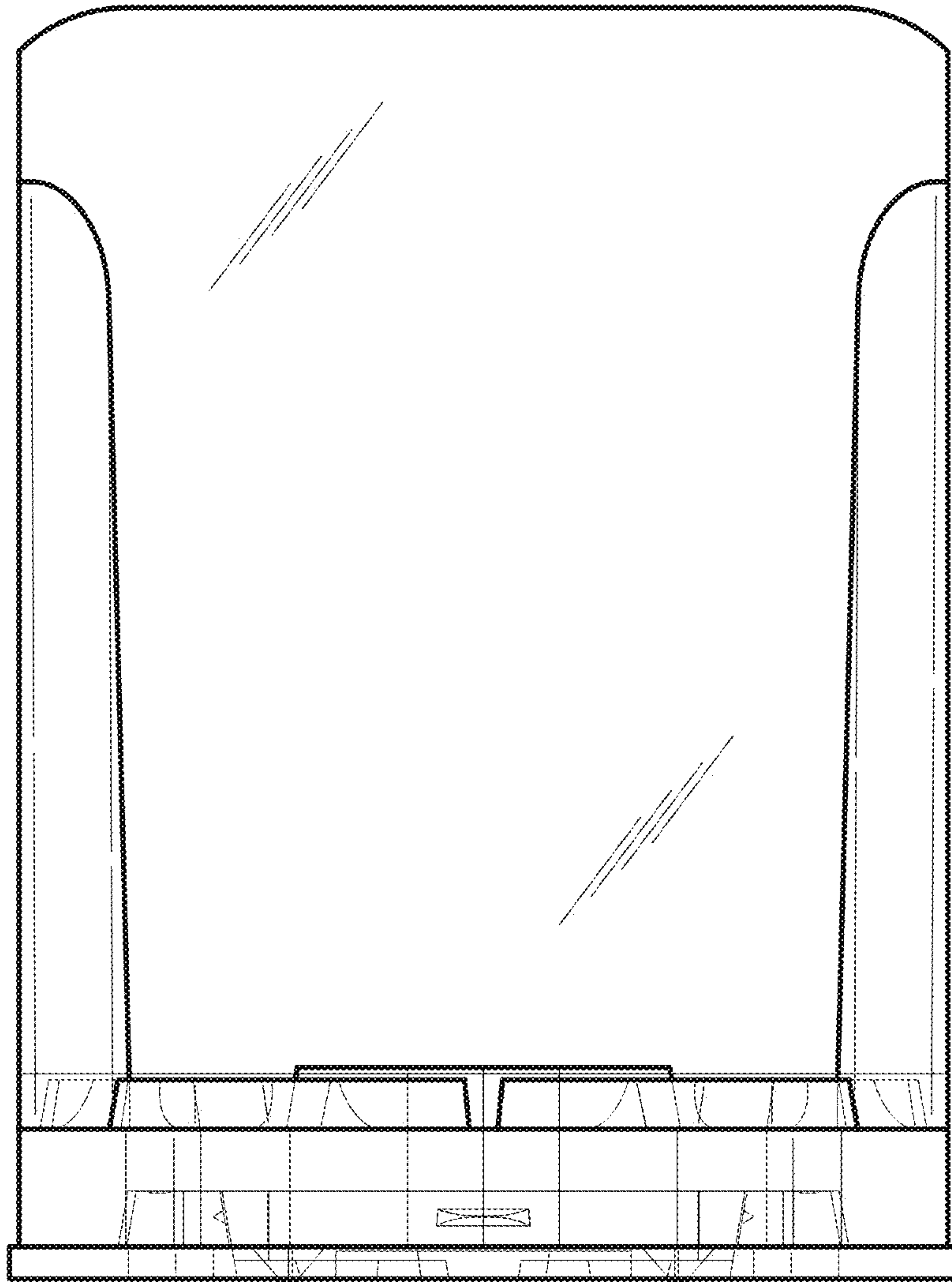


*FIG. 13*

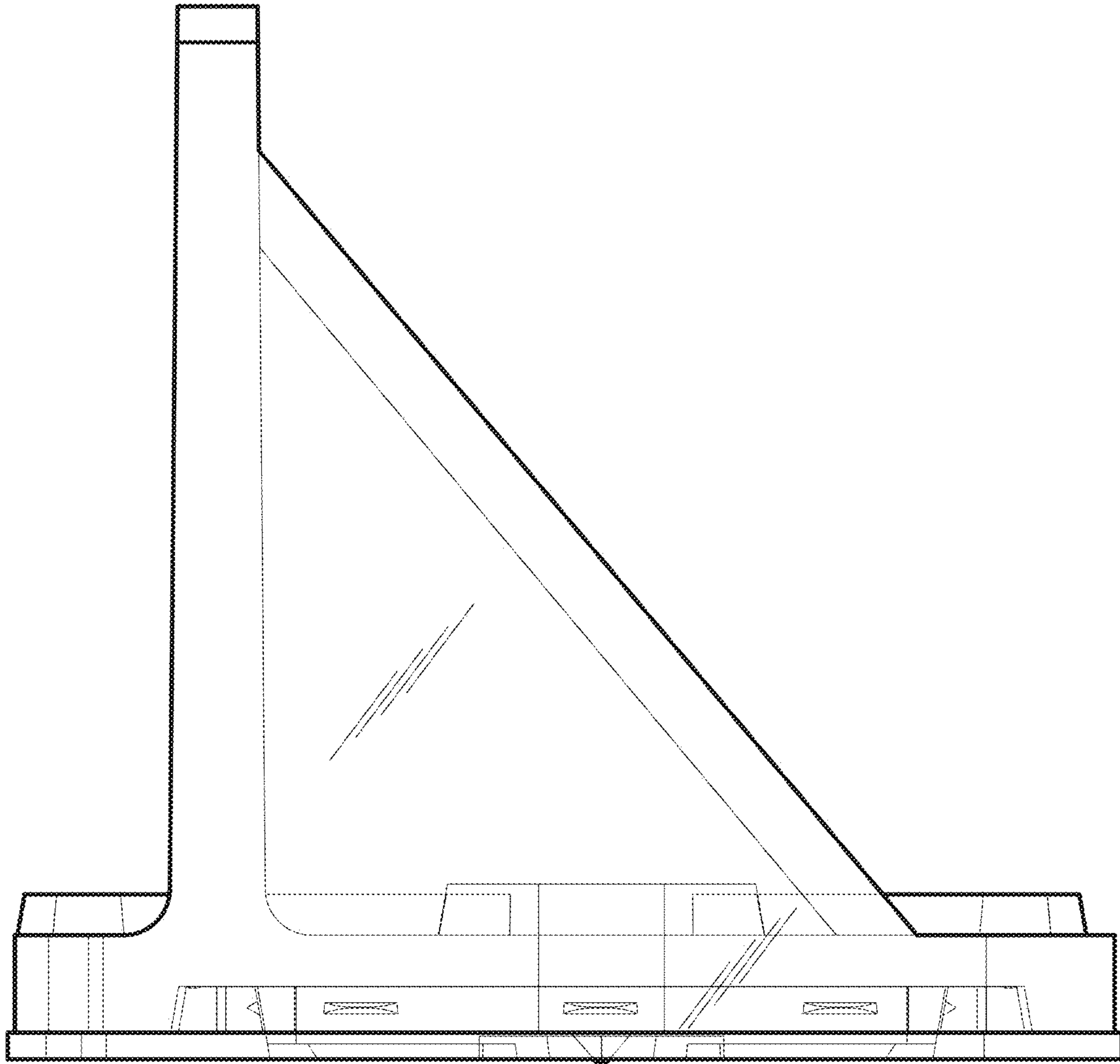


*FIG. 14*

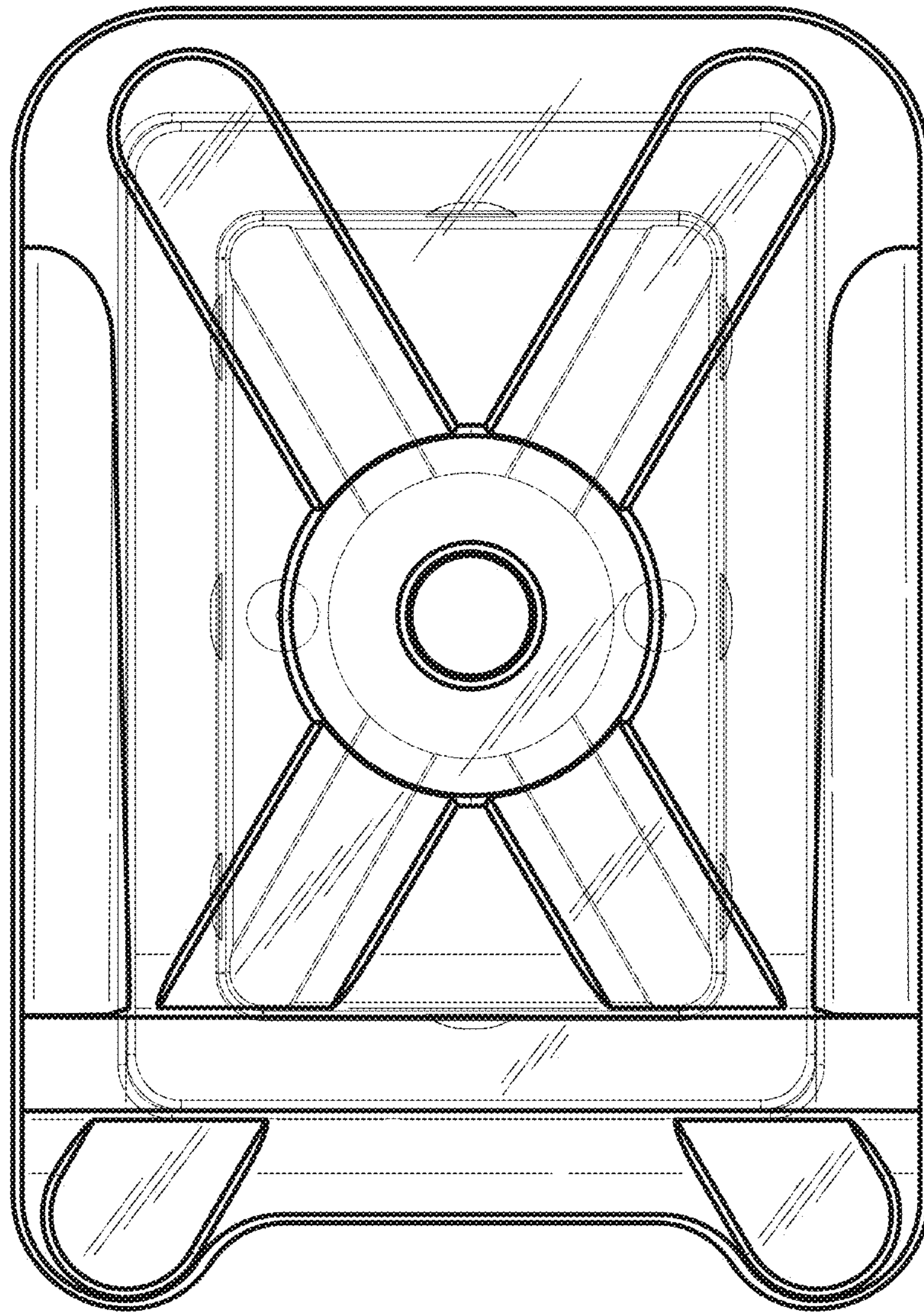




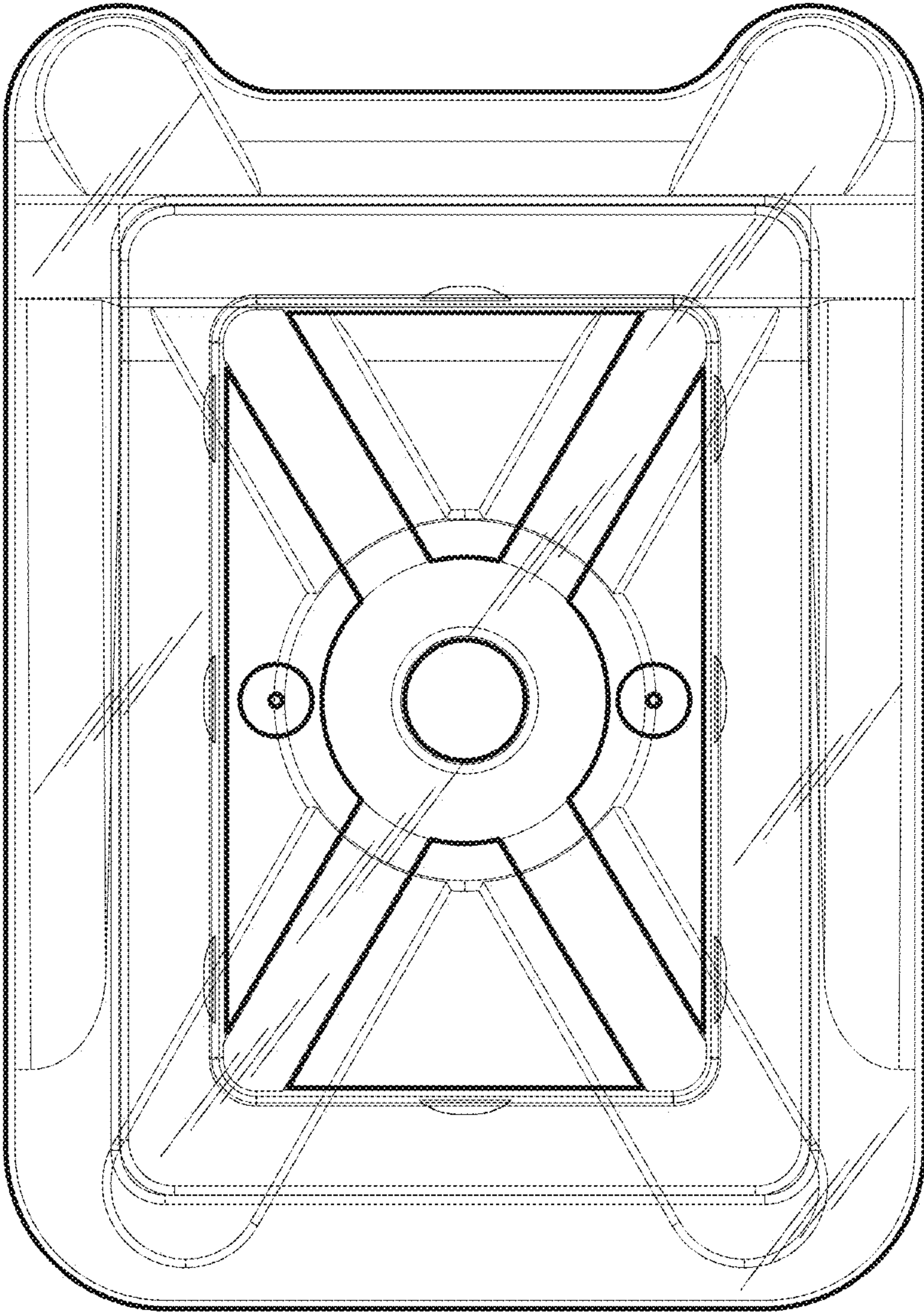
*FIG. 15*



*FIG. 16*



*FIG. 17*



*FIG. 18*



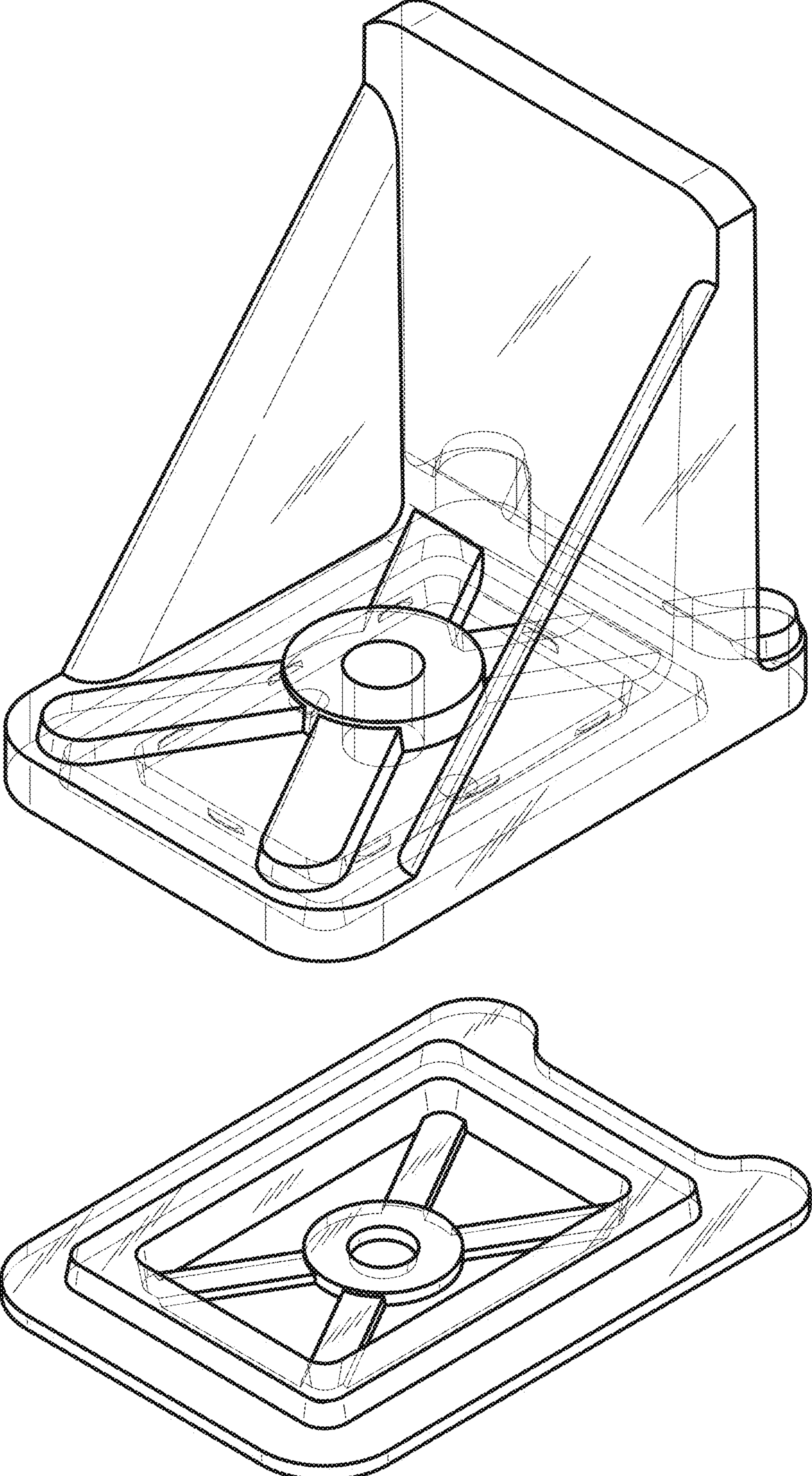
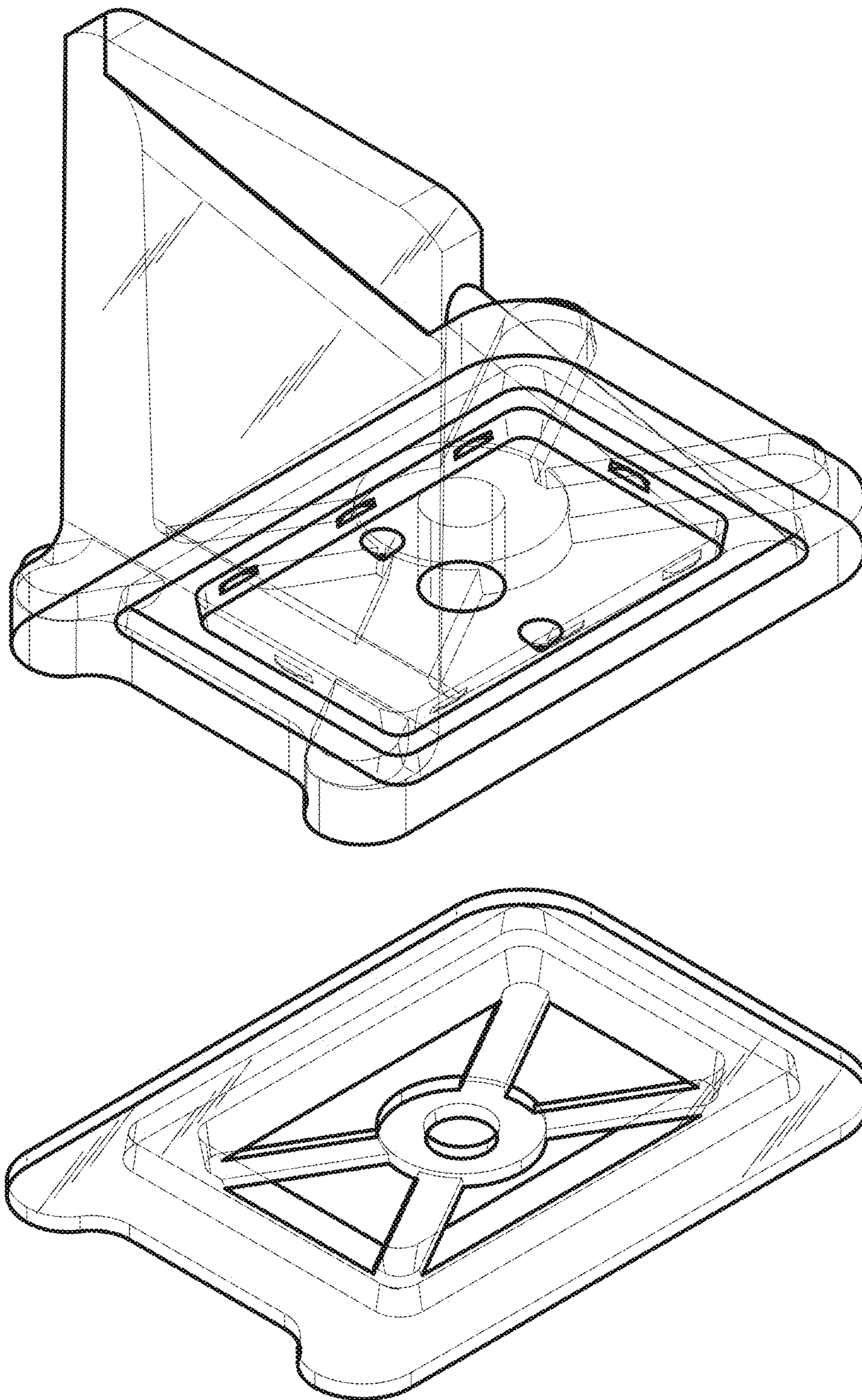


FIG. 19



*FIG. 20*