



US00D926562S

(12) **United States Design Patent**
Boyanich

(10) **Patent No.:** **US D926,562 S**

(45) **Date of Patent:** **** Aug. 3, 2021**

(54) **SECURING APPARATUS FOR HAND GRINDER TOOL**

(71) Applicant: **Joseph E. Boyanich**, Medina, NY (US)

(72) Inventor: **Joseph E. Boyanich**, Medina, NY (US)

(**) Term: **15 Years**

(21) Appl. No.: **29/683,611**

(22) Filed: **Mar. 14, 2019**

(51) **LOC (13) Cl.** **08-05**

(52) **U.S. Cl.**

USPC **D8/394**; D8/382

(58) **Field of Classification Search**

USPC D8/349, 382-399, 72, 62, 51, 66, 70, 61, D8/71, 73, 74; 24/710.5, 711, 336, 338, 24/297, 463, 270, 273; 248/346.03, 674; 454/333; D17/20

CPC A41H 37/008; A43D 100/08; A44B 1/185; A44B 9/02; Y10T 24/4689; Y10T 24/24; A45D 8/16; A45D 8/22; A45D 8/26; A41D 13/0562; A41D 27/202; A45C 7/0027; B21D 53/52; B21F 45/18; B65H 2405/1414; B65H 2402/5153; B65D

(Continued)

(56) **References Cited**

U.S. PATENT DOCUMENTS

D140,863 S * 4/1945 Conlan D13/178
D217,800 S * 6/1970 Kirkland D8/51

(Continued)

FOREIGN PATENT DOCUMENTS

CN 303475751 * 8/2015
CN 210232554 * 6/2019 B24B 23/02

(Continued)

OTHER PUBLICATIONS

Black+Decker Angle Grinder Tool, 4½-Inch,(BDEG400),Date first available Jan. 7, 2015, [online]retrieved Feb. 2, 2021, available from internet, https://www.amazon.com/BLACK-DECKER-Grinder-6-5-Amp-BDEG400/dp/BOORZV20CS/ref=pd_day0_32?pd_rd_w=LsXqL&pf_rd_p=8ca997d7-1ea0-4c8f-9e14-a6d756b83e30 (Year: 2015).*

(Continued)

Primary Examiner — Keli L Hill

Assistant Examiner — Sara S Sahneh

(74) *Attorney, Agent, or Firm* — Roach, Brown, McCarthy & Gruber, P.C.; Kevin D. McCarthy

(57) **CLAIM**

The ornamental design for a securing apparatus for hand grinder tool, as shown and described.

DESCRIPTION

FIG. 1 is an isometric top and right side view of the securing apparatus for hand grinder tool of the applicant's design holding a hand grinder tool and connected to a wire and an interconnecting device;

FIG. 2 is FIG. 1 without holding the hand grinder tool and being connected to a wire and an interconnecting device;

FIG. 3 is an isometric bottom and left side view of FIG. 2;

FIG. 4 is a front side view of FIG. 2;

FIG. 5 is a right side view of FIG. 2;

FIG. 6 is a rear view of FIG. 2;

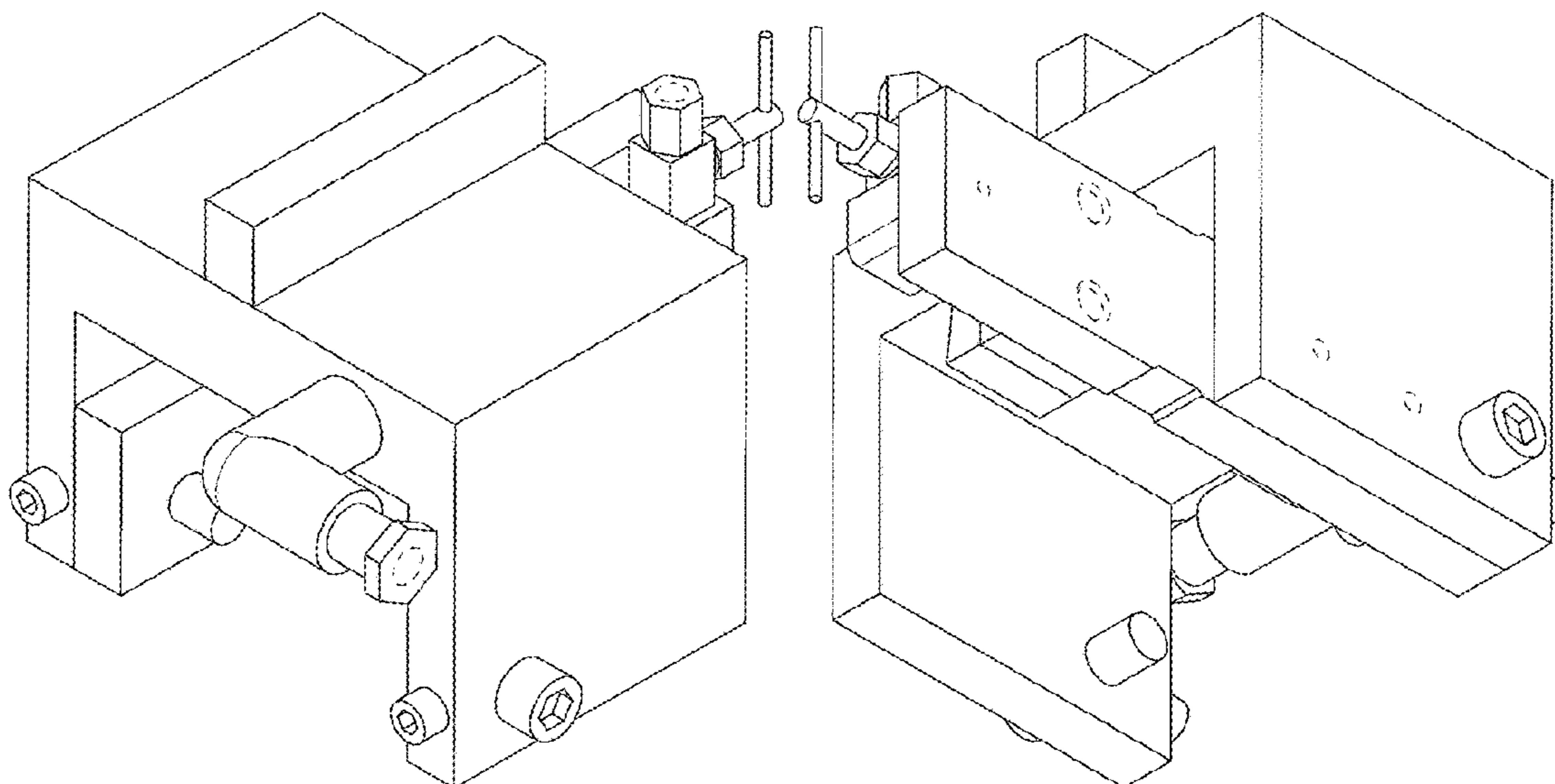
FIG. 7 is a left side view of FIG. 2;

FIG. 8 is a top side view of FIG. 2; and,

FIG. 9 is a bottom side view of FIG. 2.

The broken lines shown are included for the purpose of illustrating portions of the securing apparatus for hand grinder tool that form no part of the claim. The broken lines in FIG. 1 are for the purpose of illustrating environmental structure of the securing apparatus for hand grinder tool, the broken lines form no part of the claimed design.

1 Claim, 9 Drawing Sheets



(58) **Field of Classification Search**

CPC 33/2525; B65D 33/25865; A63F
 2003/00735; A63H 33/101; A63H
 2402/5153; A63H 25/38; A63H 25/382;
 E04B 9/205; B01J 2219/30257; F16L
 23/036; F16L 23/00; F16L 23/06; B63H
 25/38; B63H 25/382; B25F 5/026; B25F
 5/00; B25F 5/02; B25H 3/006; B25H
 3/00; F16M 13/022; H05K 13/0408;
 H01F 27/027; F16B 2/18; B25B 5/127

See application file for complete search history.

2015/0072596 A1* 3/2015 Olberg B24B 23/005
 451/28
 2015/0239119 A1* 8/2015 Hurst B25F 5/026
 248/674
 2019/0001089 A1* 1/2019 Hoysan F16M 11/42
 2020/0388451 A1* 12/2020 Causey B25F 5/02

FOREIGN PATENT DOCUMENTS

DE 13-00052 * 11/2013 B24B 7/18
 DE 202014103618 * 8/2014 B24B 23/02
 DE 20-2018-004-060 * 10/2018 B25F 5/02

(56) **References Cited**

U.S. PATENT DOCUMENTS

3,871,137 A * 3/1975 Grammatico B24B 23/005
 451/340
 D483,650 S * 12/2003 Squillante D8/349
 7,003,859 B2 * 2/2006 Lehner B25B 27/14
 29/402.01
 8,690,497 B2 * 4/2014 Bodine B25F 5/02
 408/124
 9,249,923 B2 * 2/2016 DiCarlo F16M 13/02
 2013/0055860 A1 * 3/2013 French B25F 5/026
 81/489
 2014/0251649 A1 * 9/2014 Kondo B23Q 9/00
 173/170

OTHER PUBLICATIONS

Yootop ,Plastic Hammer Drill Handle Adjustable Side Front Aux-
 iliary Handle, Date first available Oct. 31, 2018, [online]retrieved
 Feb. 2, 2021, available from internet, [https://www.amazon.com/
 Yootop-Hammer-Plastic-Auxiliary-GBH2-26/dp/B07K2V5SJ3/ref=
 pd_sbs_5?pd_rd_w=kbAqV&pf_rd_p=c52600a3-624a-4\(Year:2018\).*](https://www.amazon.com/Yootop-Hammer-Plastic-Auxiliary-GBH2-26/dp/B07K2V5SJ3/ref=pd_sbs_5?pd_rd_w=kbAqV&pf_rd_p=c52600a3-624a-4(Year:2018).*)
 Bosch Store, Parts 1612025027 Auxiliary Handle, Date first avail-
 able May 21, 2015, [online]retrieved Feb. 2, 2021, available from
 internet, [https://www.amazon.com/Bosch-Parts-1612025027-Auxiliary-
 Handle/dp/B00YCP958M/ref=sr_1_121?dchild=1&keywords=
 AUXILIARY\(Year:2015\).*](https://www.amazon.com/Bosch-Parts-1612025027-Auxiliary-Handle/dp/B00YCP958M/ref=sr_1_121?dchild=1&keywords=AUXILIARY(Year:2015).*)

* cited by examiner

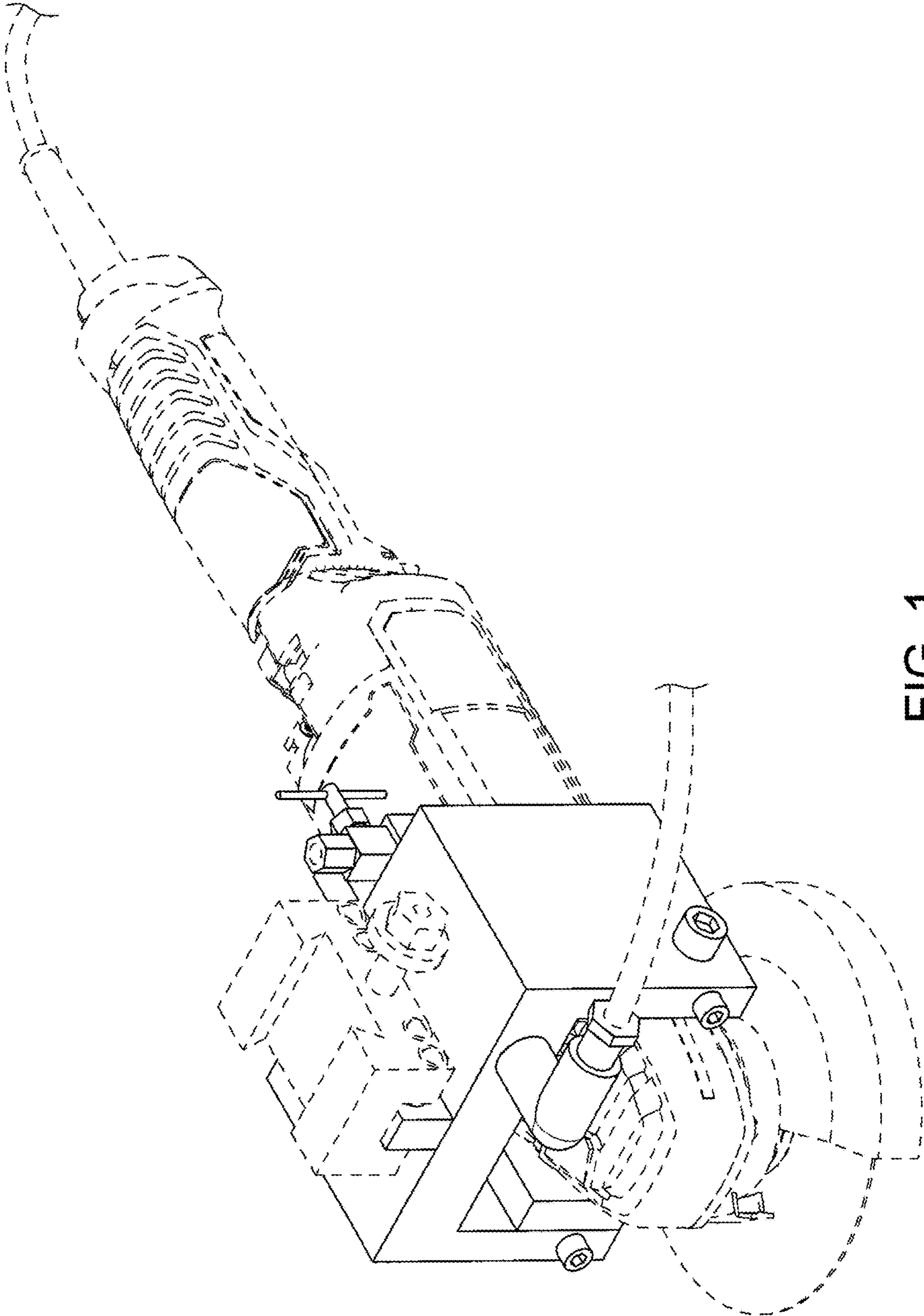


FIG. 1

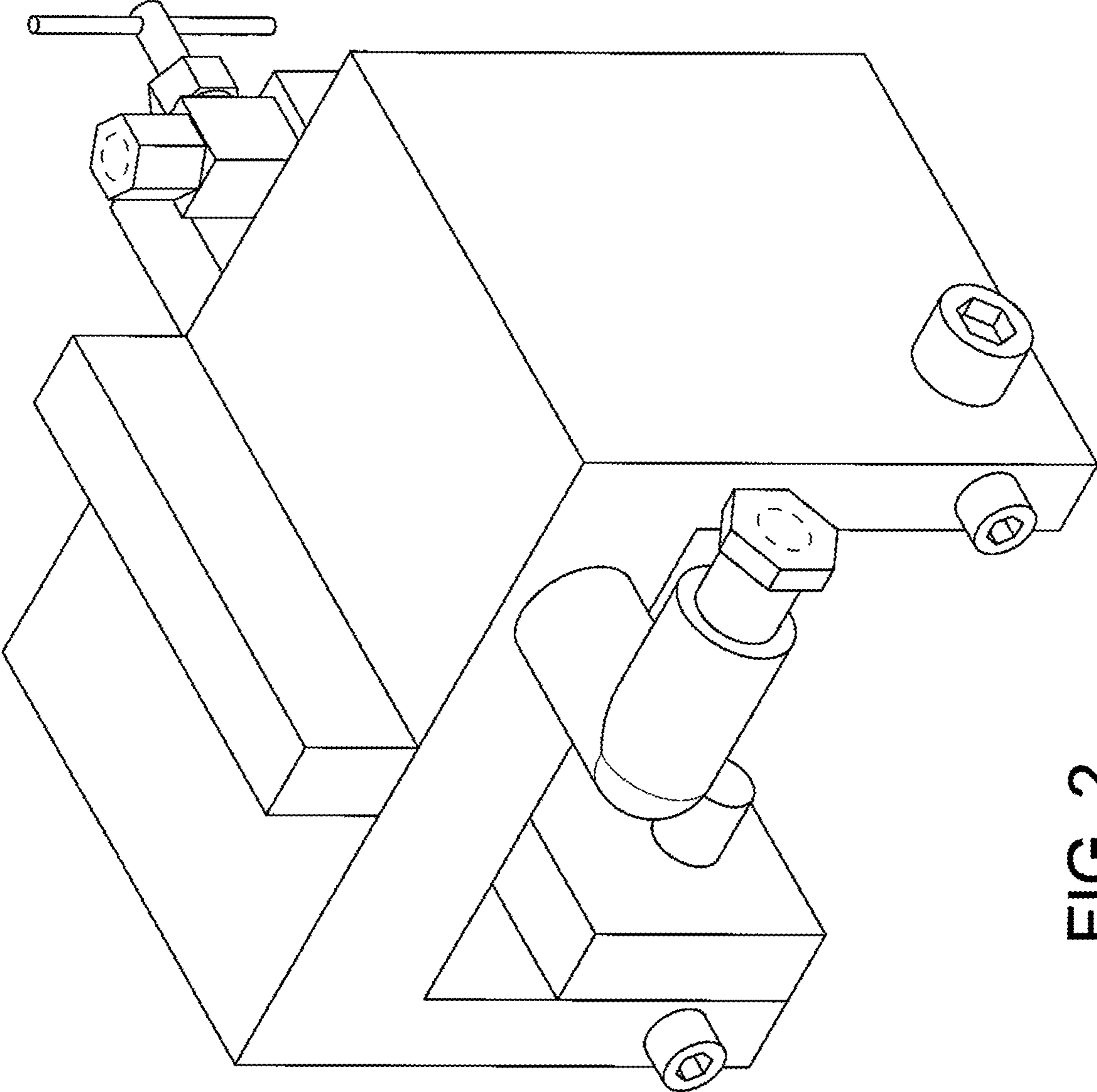


FIG. 2

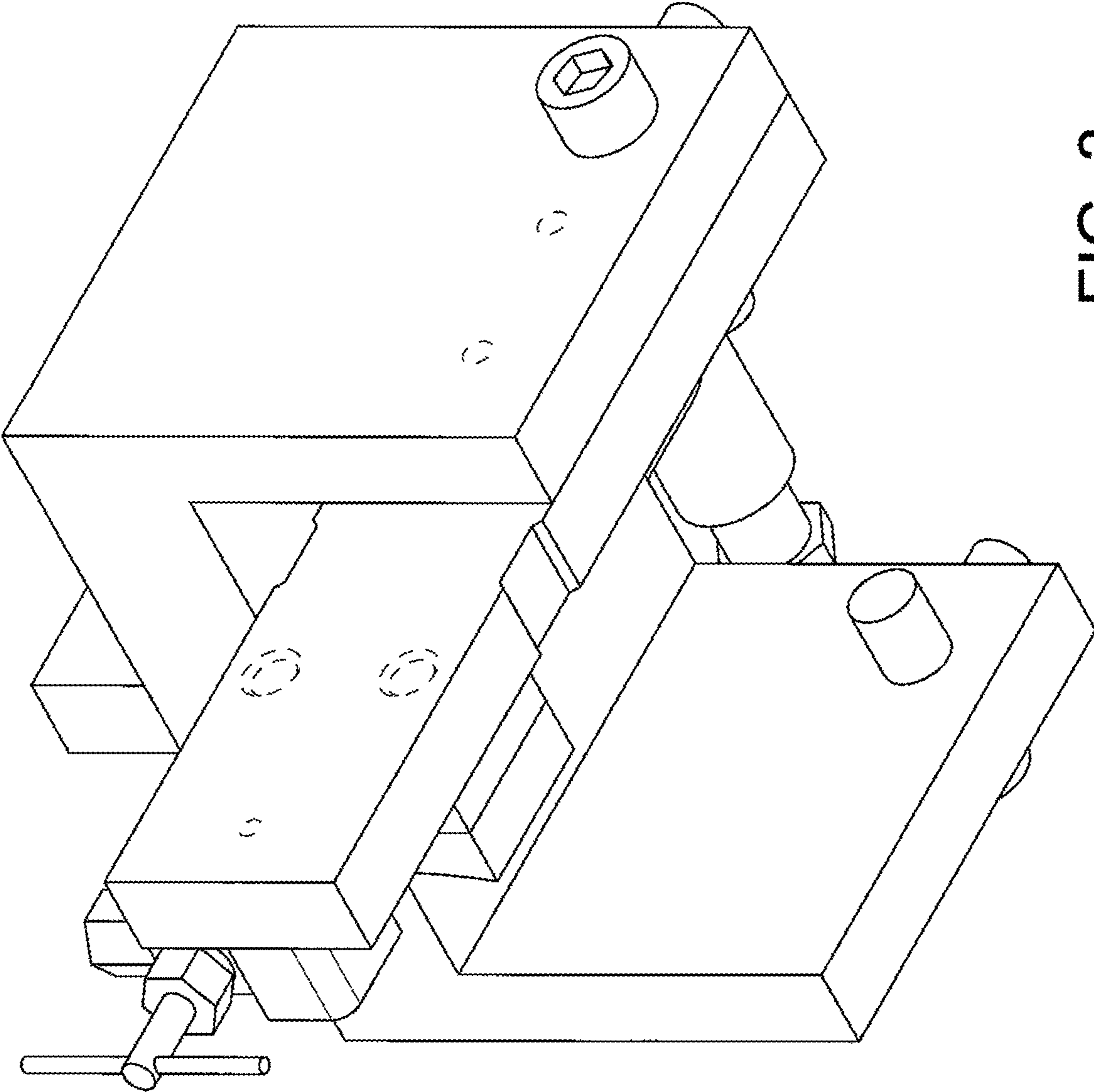


FIG. 3

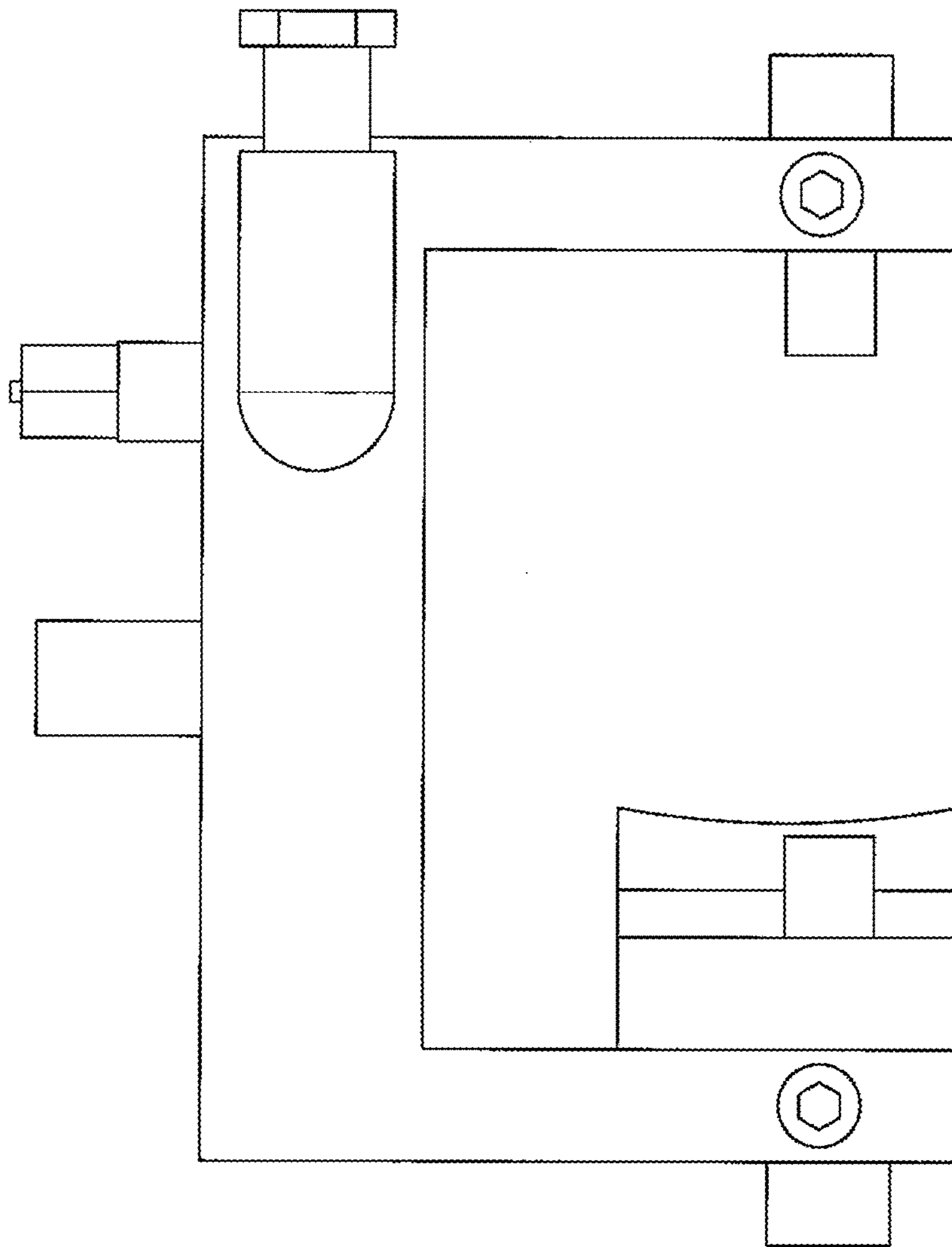


FIG. 4

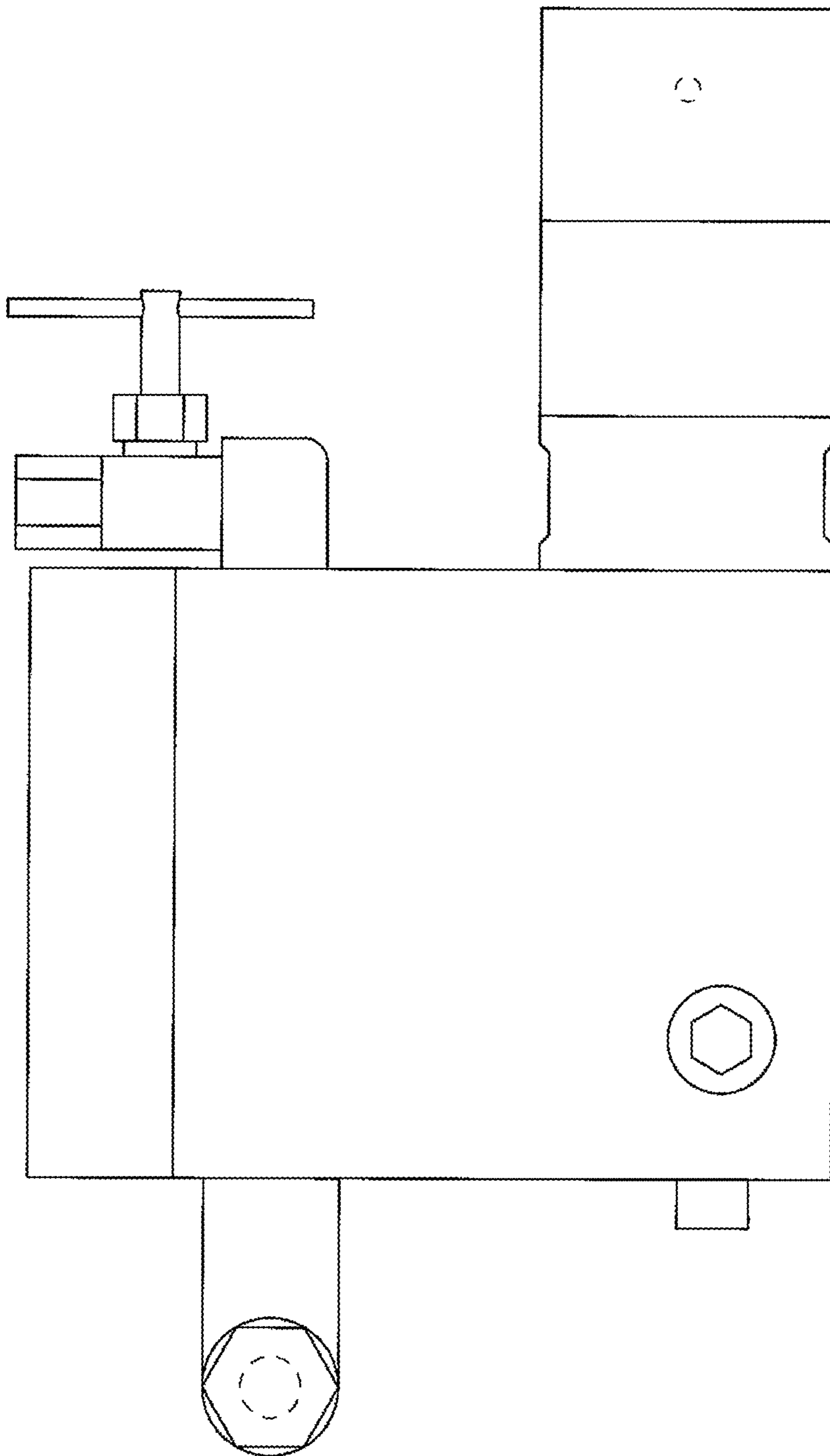


FIG. 5

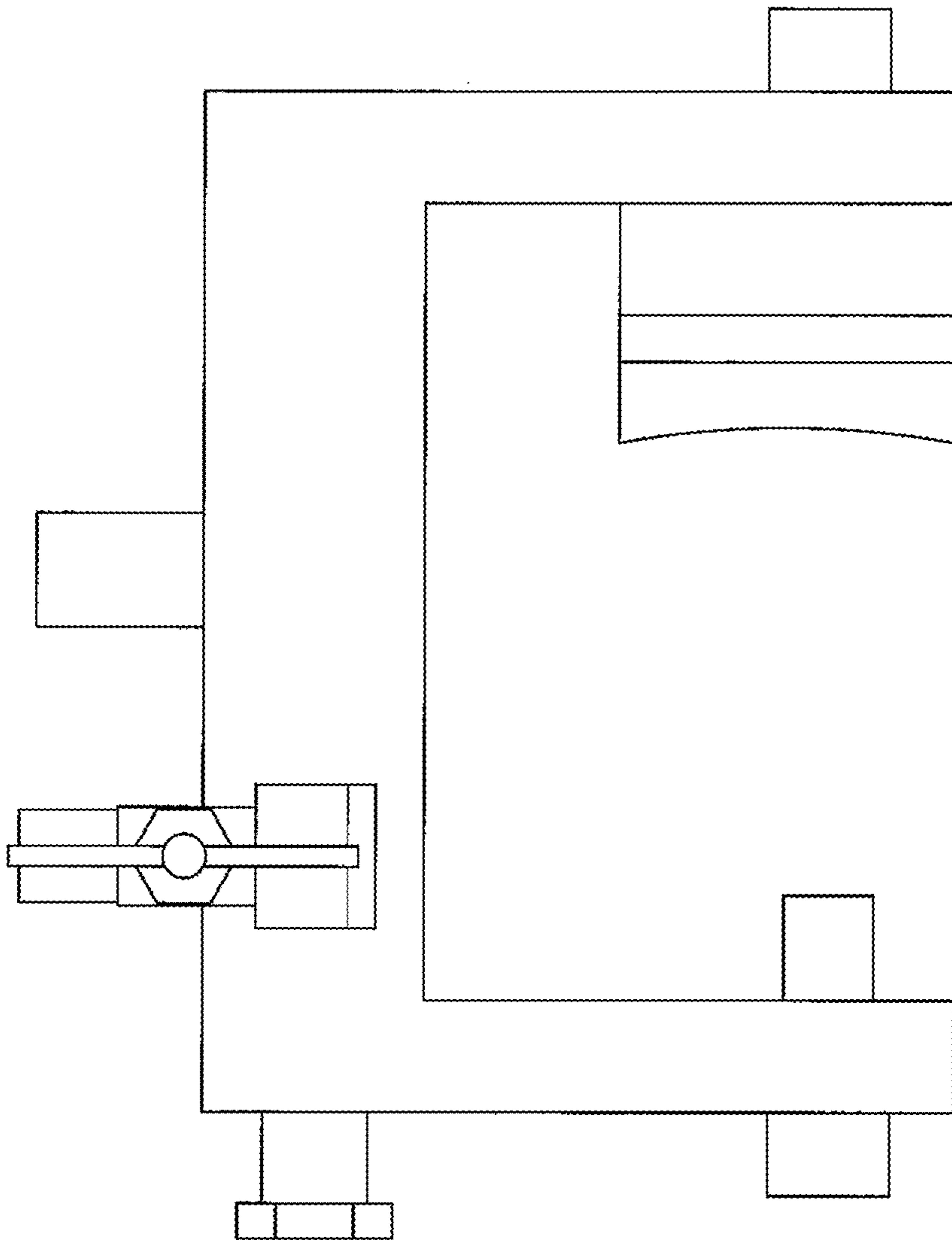


FIG. 6

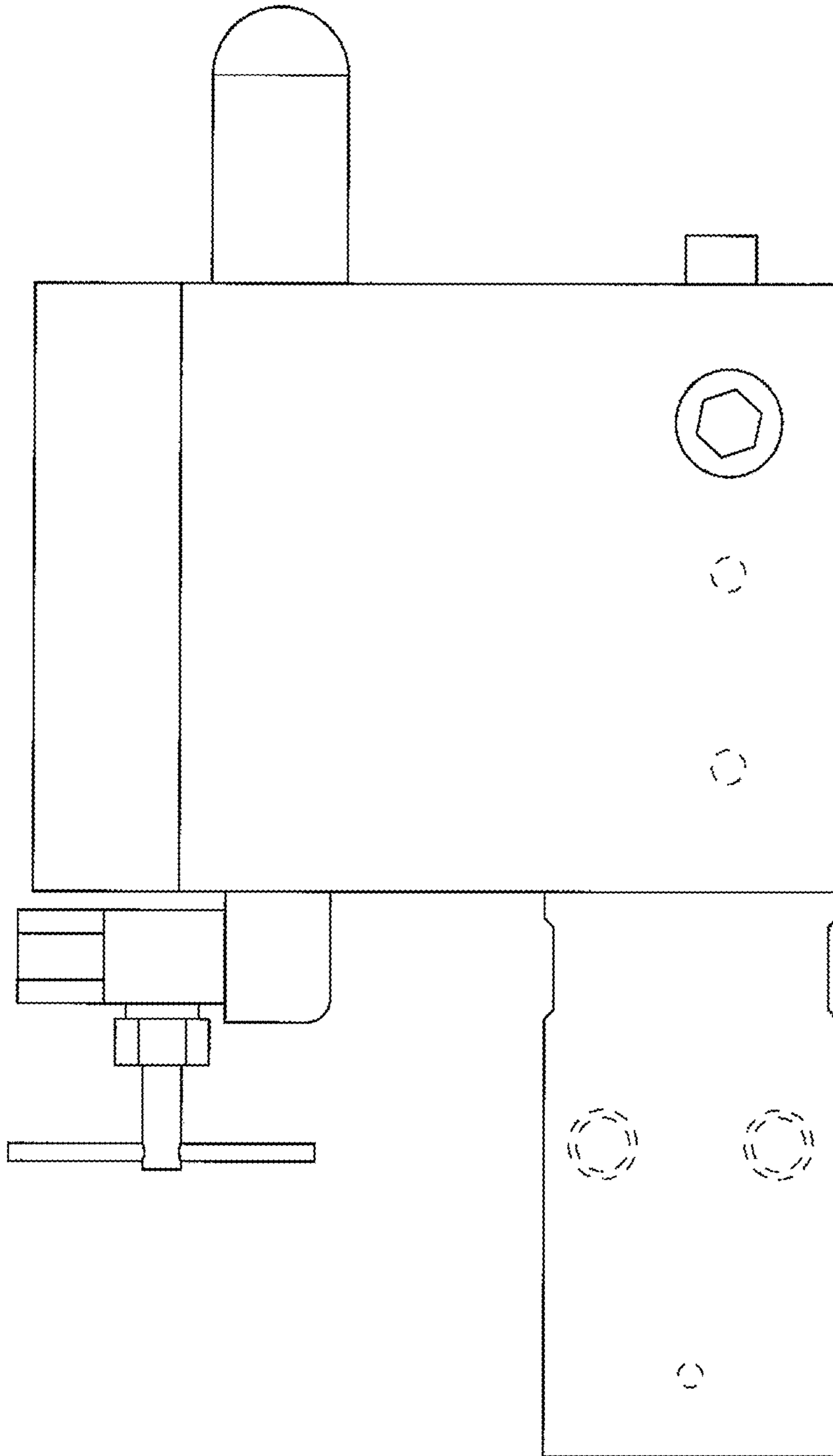


FIG. 7

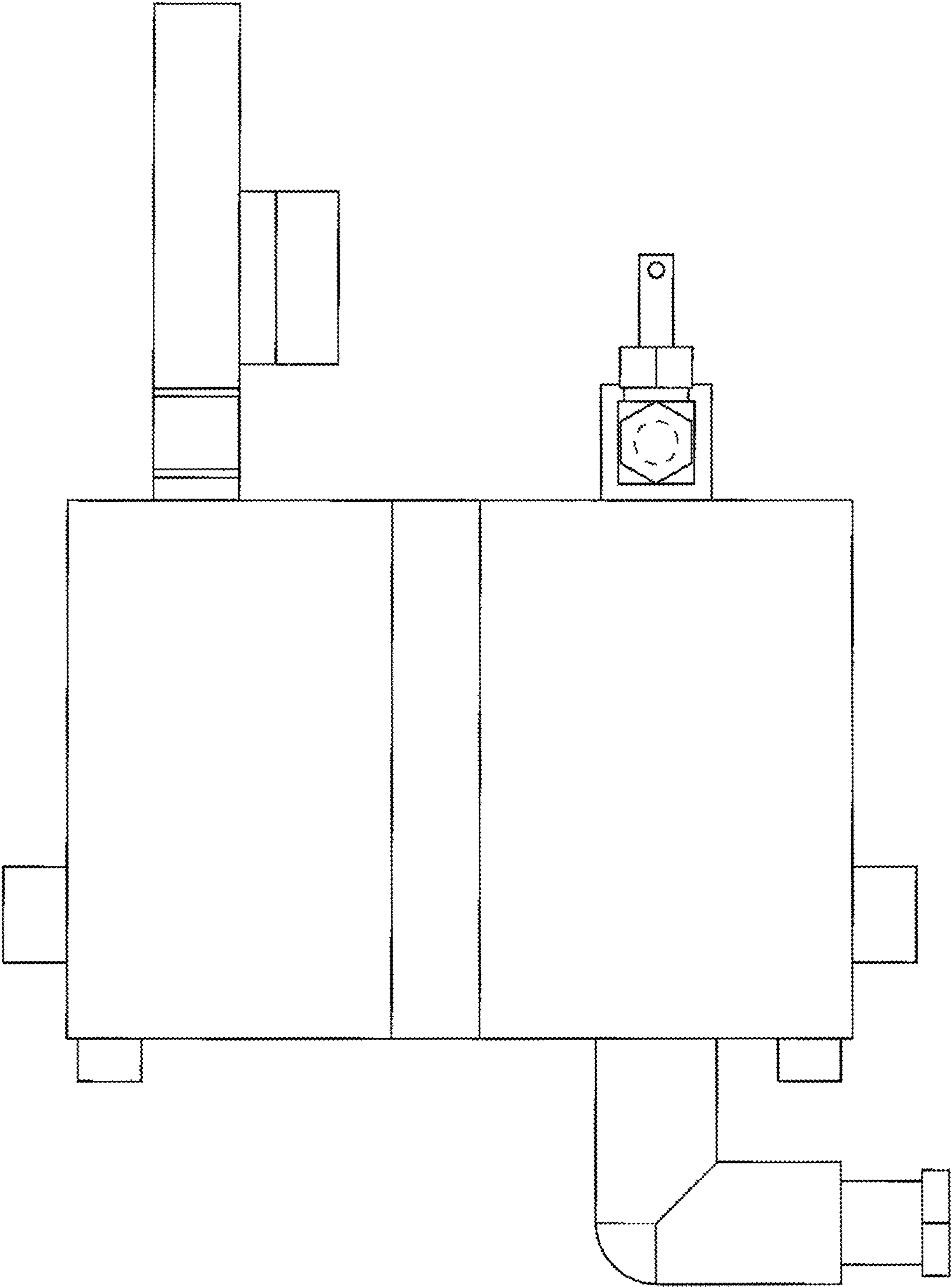


FIG. 8

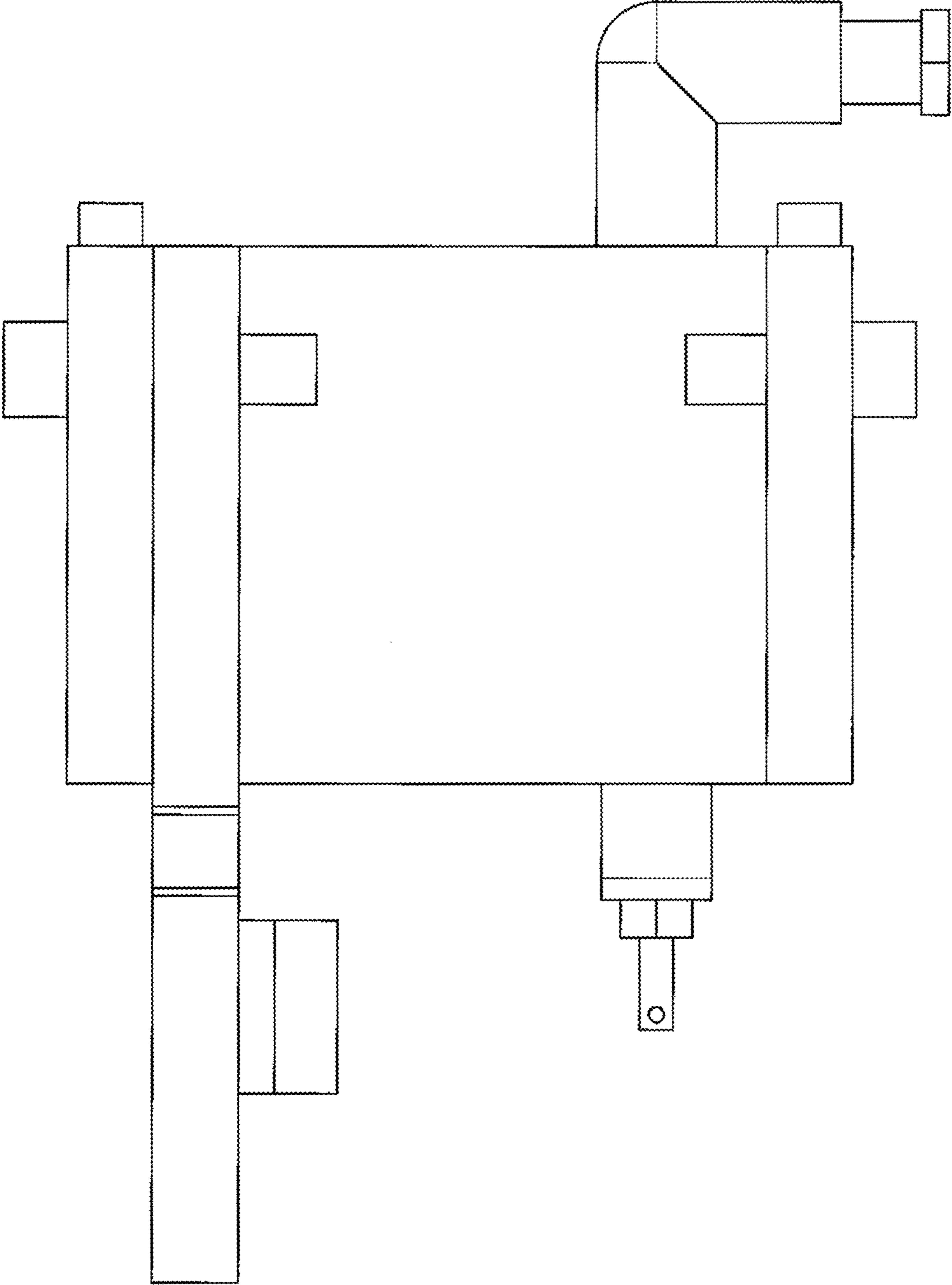


FIG. 9