



US00D926561S

(12) **United States Design Patent** (10) **Patent No.:** **US D926,561 S**
Li (45) **Date of Patent:** **** Aug. 3, 2021**

(54) **BOLT**
(71) Applicant: **Jinsong Li**, Mengzhou (CN)
(72) Inventor: **Jinsong Li**, Mengzhou (CN)
(**) Term: **15 Years**
(21) Appl. No.: **29/728,162**
(22) Filed: **Mar. 17, 2020**
(51) **LOC (13) Cl.** **08-08**
(52) **U.S. Cl.**
USPC **D8/387**
(58) **Field of Classification Search**
USPC D8/354, 355, 382, 383, 384, 385, 387,
D8/393, 394
CPC E21D 20/00; E21D 20/025; E21D 21/008;
F16B 13/066; F16B 13/141; D07B 9/00;
D07B 2201/20; D07B 2201/2083; D07B
2201/2084; F16G 11/03; F16G 11/04;
F16G 11/08; F16G 11/10; F16G 11/105;
F16G 11/048; F16G 11/00
See application file for complete search history.

(56) **References Cited**
U.S. PATENT DOCUMENTS
3,339,449 A * 9/1967 Lerich E21D 21/008
411/53
D258,799 S * 4/1981 Stern D8/382
RE31,776 E * 12/1984 Clark E21D 21/008
405/259.6
4,656,806 A * 4/1987 Leibhard F16B 13/065
52/704
4,772,166 A * 9/1988 Shamah E04G 23/0222
405/259.3
4,861,198 A * 8/1989 Stankus E21D 20/025
405/259.3
6,829,871 B1 * 12/2004 McSherry F16B 13/066
403/368
D558,042 S * 12/2007 Gaudron D8/387

D615,392 S * 5/2010 Gaudron D8/387
D615,855 S * 5/2010 Gaudron D8/387
7,896,580 B2 * 3/2011 Weaver E02D 5/801
405/259.4
8,444,355 B2 * 5/2013 Gaudron F16B 13/065
411/60.1
8,678,730 B2 * 3/2014 Gaudron F16B 13/065
411/60.1
2004/0102720 A1 * 5/2004 Kellerman B21F 45/008
600/585
2006/0018721 A1 * 1/2006 Robertson, Jr. E21D 21/008
405/259.4
2008/0213063 A1 * 9/2008 Pratt F16B 13/066
411/43
2009/0092462 A1 * 4/2009 Pratt F16B 35/06
411/368

(Continued)

Primary Examiner — Holly E Thurman
Assistant Examiner — Ieisha N Price

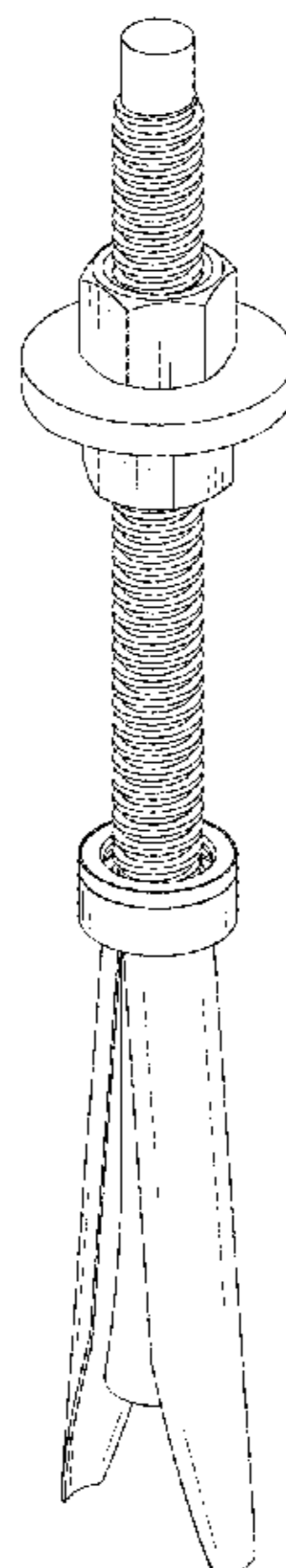
(57) **CLAIM**

The ornamental design for a bolt, as shown and described.

DESCRIPTION

FIG. 1 is a top, left side, rear perspective view of a bolt showing my new design in a first configuration; FIG. 2 is a front elevational view thereof; FIG. 3 is a left side elevational view thereof; FIG. 4 is a top plan view thereof; FIG. 5 is a bottom plan view thereof; FIG. 6 is a bottom, right side, front perspective view of the bolt of FIG. 1 shown in a second configuration for clarity of disclosure; FIG. 7 is an additional front elevational view of the bolt of FIG. 1 shown in a third configuration for clarity of disclosure; and, FIG. 8 is an additional front elevational view of the bolt of FIG. 1 shown in a fourth configuration for clarity of disclosure.

1 Claim, 8 Drawing Sheets



(56)

References Cited

U.S. PATENT DOCUMENTS

2010/0111639	A1 *	5/2010	Gaudron	F16B 13/065 411/354
2012/0201625	A1 *	8/2012	Ikuno	F16B 13/066 411/5
2012/0213607	A1 *	8/2012	Peled	E21D 21/008 411/24
2014/0059968	A1 *	3/2014	Andrews	F16B 13/065 52/698
2014/0105690	A1 *	4/2014	Tadolini	E21D 21/006 405/259.1
2018/0258975	A1 *	9/2018	Polidori	F16B 31/021
2018/0347358	A1 *	12/2018	Rataj	E21D 21/004
2019/0301507	A1 *	10/2019	Steinberg	C25D 7/003
2020/0063558	A1 *	2/2020	Darlington	E21D 21/004
2020/0217201	A1 *	7/2020	Zhang	E21D 20/003
2021/0071525	A1 *	3/2021	Cawood	E21D 20/028

* cited by examiner

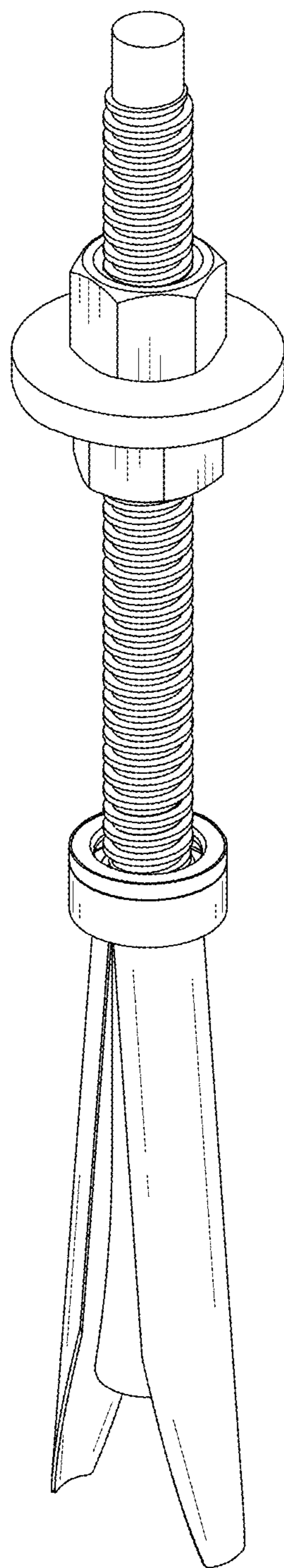


FIG. 1

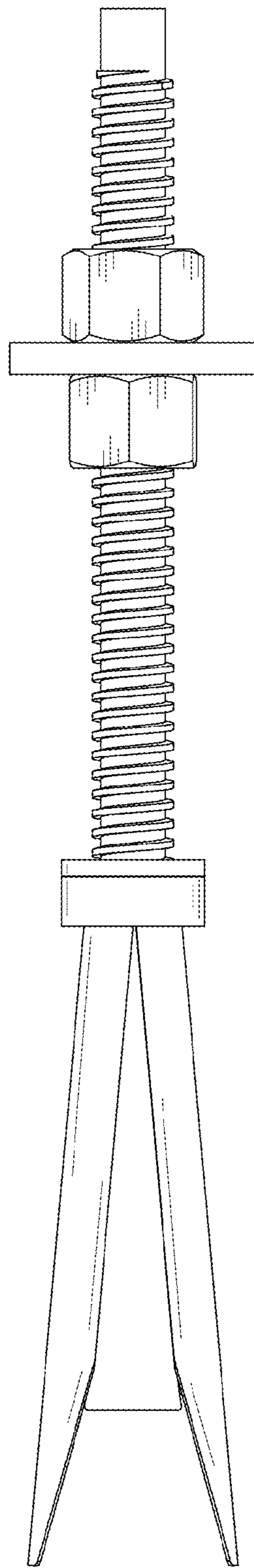


FIG. 2

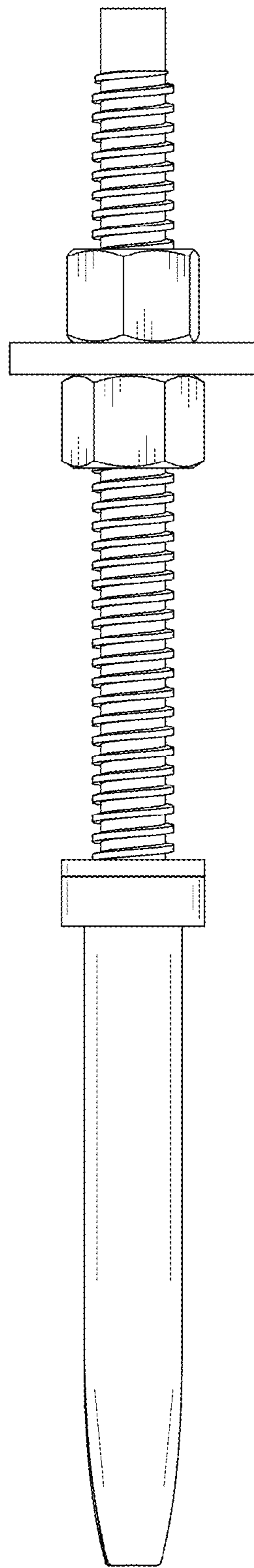


FIG. 3

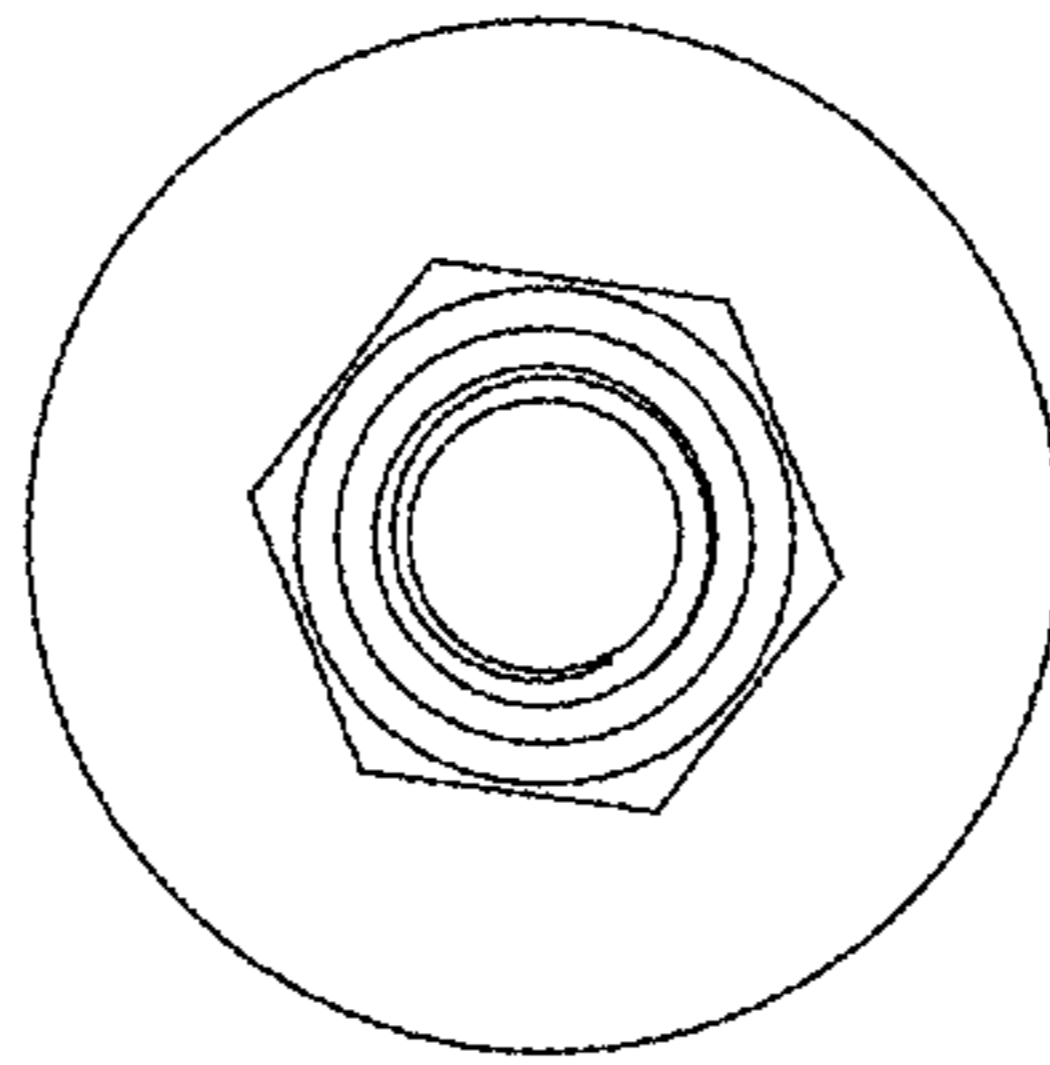


FIG. 4

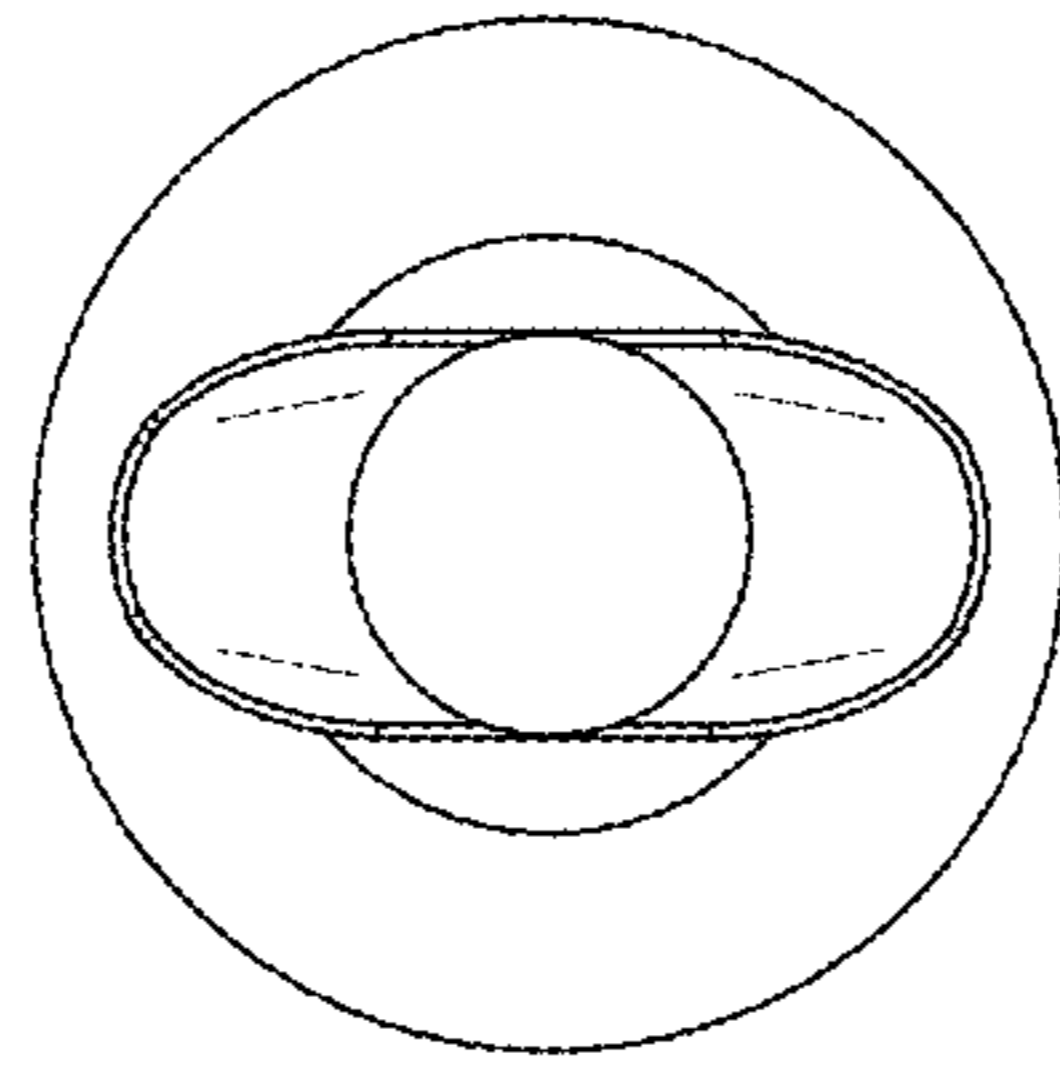


FIG. 5

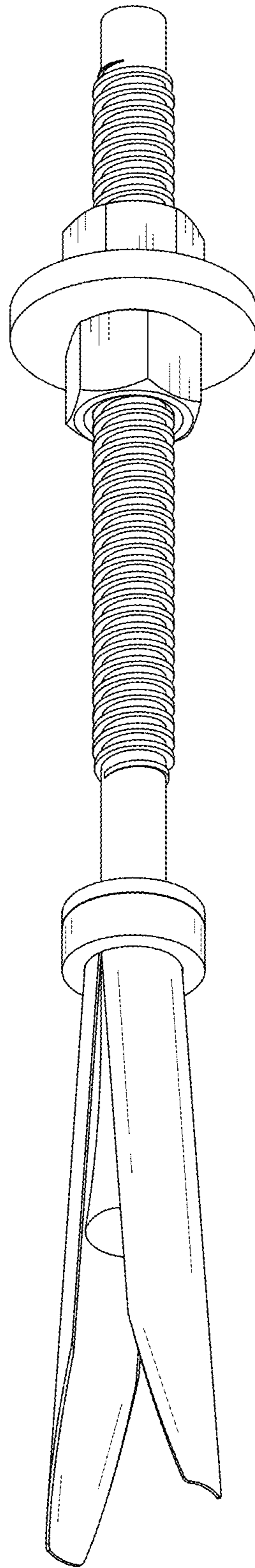


FIG. 6

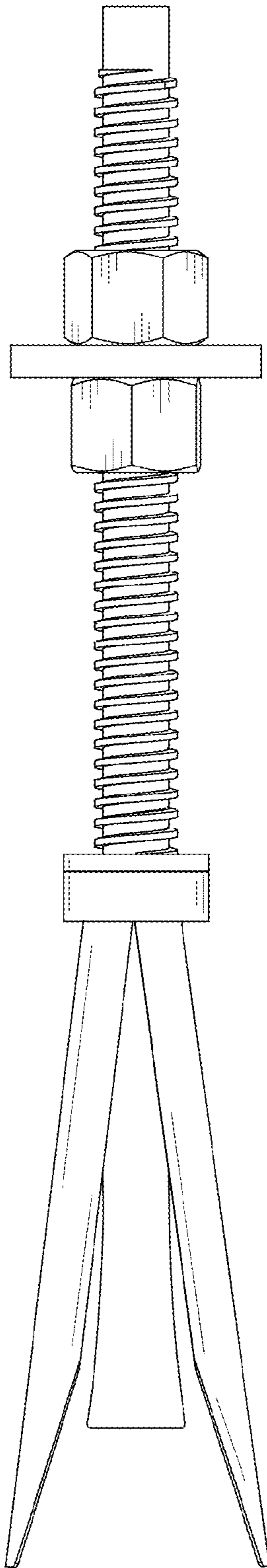


FIG. 7

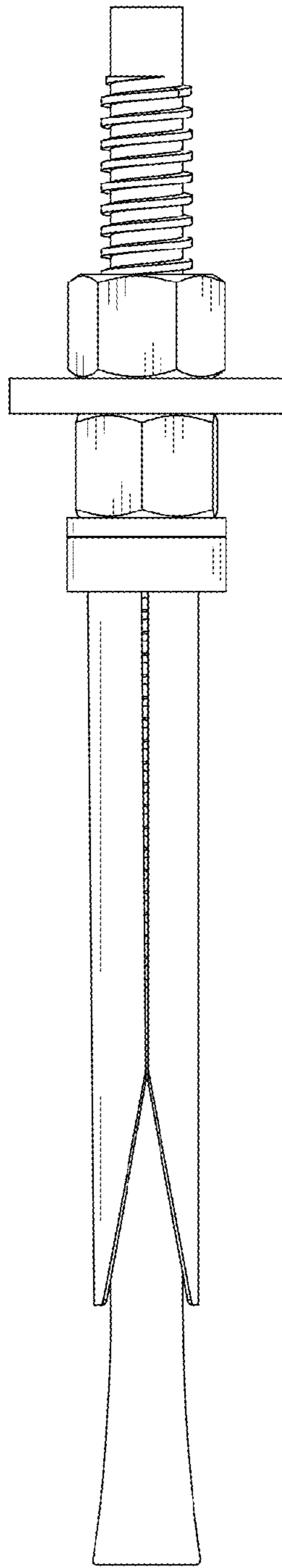


FIG. 8