



US00D926559S

(12) **United States Design Patent** (10) **Patent No.:** **US D926,559 S**
Voss (45) **Date of Patent:** **** *Aug. 3, 2021**

(54) **CHAIR CLAMP**
(71) Applicant: **David M. Voss**, Naperville, IL (US)
(72) Inventor: **David M. Voss**, Naperville, IL (US)
(*) Notice: This patent is subject to a terminal disclaimer.
(**) Term: **14 Years**
(21) Appl. No.: **29/525,044**
(22) Filed: **Apr. 26, 2015**
(51) **LOC (13) Cl.** **08-08**
(52) **U.S. Cl.**
USPC **D8/382**
(58) **Field of Classification Search**
USPC D8/14, 16, 19, 71, 72, 106, 349, 354,
D8/355, 363, 366, 373, 376, 380, 382,
D8/394, 396, 398, 499; D23/262, 265,
D23/303, 386, 259; D12/128, 131, 133;
D6/362, 702
CPC F16L 3/00; F16L 3/1033; F16L 3/1016;
F16L 3/105; F16L 3/1075; F16L 3/1083;
F16L 3/1091; F16L 3/10; F16L 3/1008;
E04H 17/24
See application file for complete search history.

(56) **References Cited**
U.S. PATENT DOCUMENTS
1,668,499 A * 5/1928 Geiser F16L 55/172
138/99
1,898,614 A * 2/1933 Brady F16L 3/1075
174/155
3,257,726 A * 6/1966 Longobardi B24D 15/105
30/331
D298,802 S * 12/1988 Tekirian D8/396
4,998,691 A * 3/1991 Brown F16L 3/1016
248/68.1
D411,440 S * 6/1999 Stahel D8/396
D482,956 S * 12/2003 Pyron D8/382

D486,729 S * 2/2004 Ellery D8/396
D488,714 S * 4/2004 Schengrund D8/382
D540,158 S * 4/2007 Smith D8/396
8,387,252 B1 * 3/2013 Johnson B21D 53/06
269/287
D711,730 S * 8/2014 McKiernan D8/396
2005/0061925 A1 * 3/2005 Kirschner F16L 3/1016
248/49
2005/0116123 A1 * 6/2005 Bailey F16L 3/1016
248/74.1

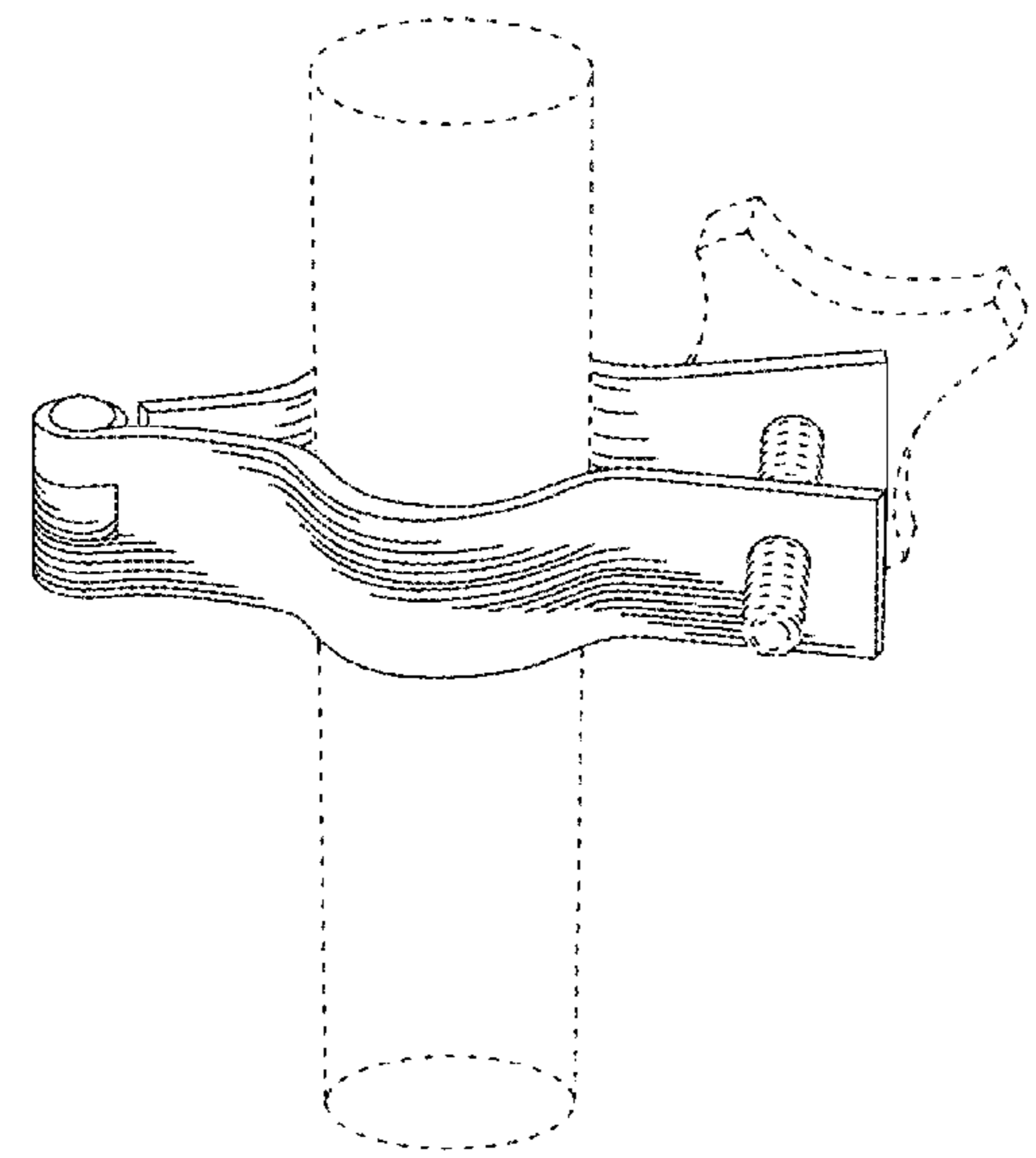
(Continued)

Primary Examiner — Sandra Snapp
Assistant Examiner — Ieisha N Price
(74) *Attorney, Agent, or Firm* — Thompson & Thompson Patents

(57) **CLAIM**
The ornamental design for a chair clamp, as shown and described.

DESCRIPTION
FIG. 1 illustrates a front perspective view of the chair clamp of this disclosure in use;
FIG. 2 illustrates a front perspective view of the chair clamp of FIG. 1 in a closed position;
FIG. 3 illustrates a rear view of the chair clamp of FIG. 1 in a closed position;
FIG. 4 illustrates a front view of the chair clamp of FIG. 1 in a closed position;
FIG. 5 illustrates a right side view of the chair clamp of FIG. 1 in a closed position;
FIG. 6 illustrates a left side view of the chair clamp of FIG. 1 in a closed position;
FIG. 7 illustrates a front view of the chair clamp of FIG. 1 in an open position; and,
FIG. 8 illustrates a top view of the chair clamp of FIG. 1 in a closed position.
The broken lines shown in the drawings illustrate the environment of the claimed design and form no part thereof.

1 Claim, 5 Drawing Sheets



(56)

References Cited

U.S. PATENT DOCUMENTS

2005/0205722 A1* 9/2005 Krueger F16L 3/11
248/62
2005/0230569 A1* 10/2005 Kirschner F16L 3/1016
248/74.1
2007/0131823 A1* 6/2007 Mominee F16L 3/1016
248/62

* cited by examiner

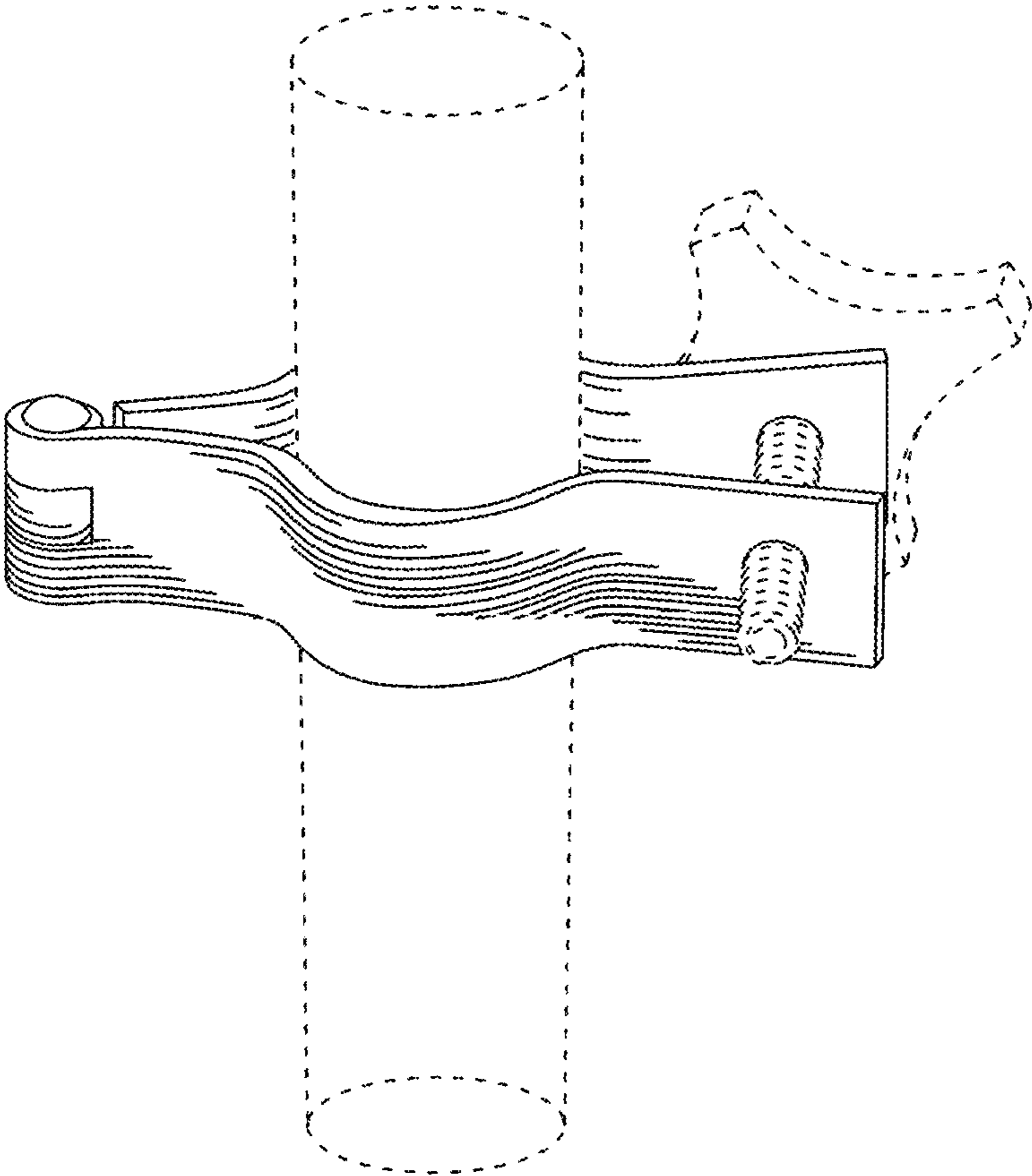


FIG. 1

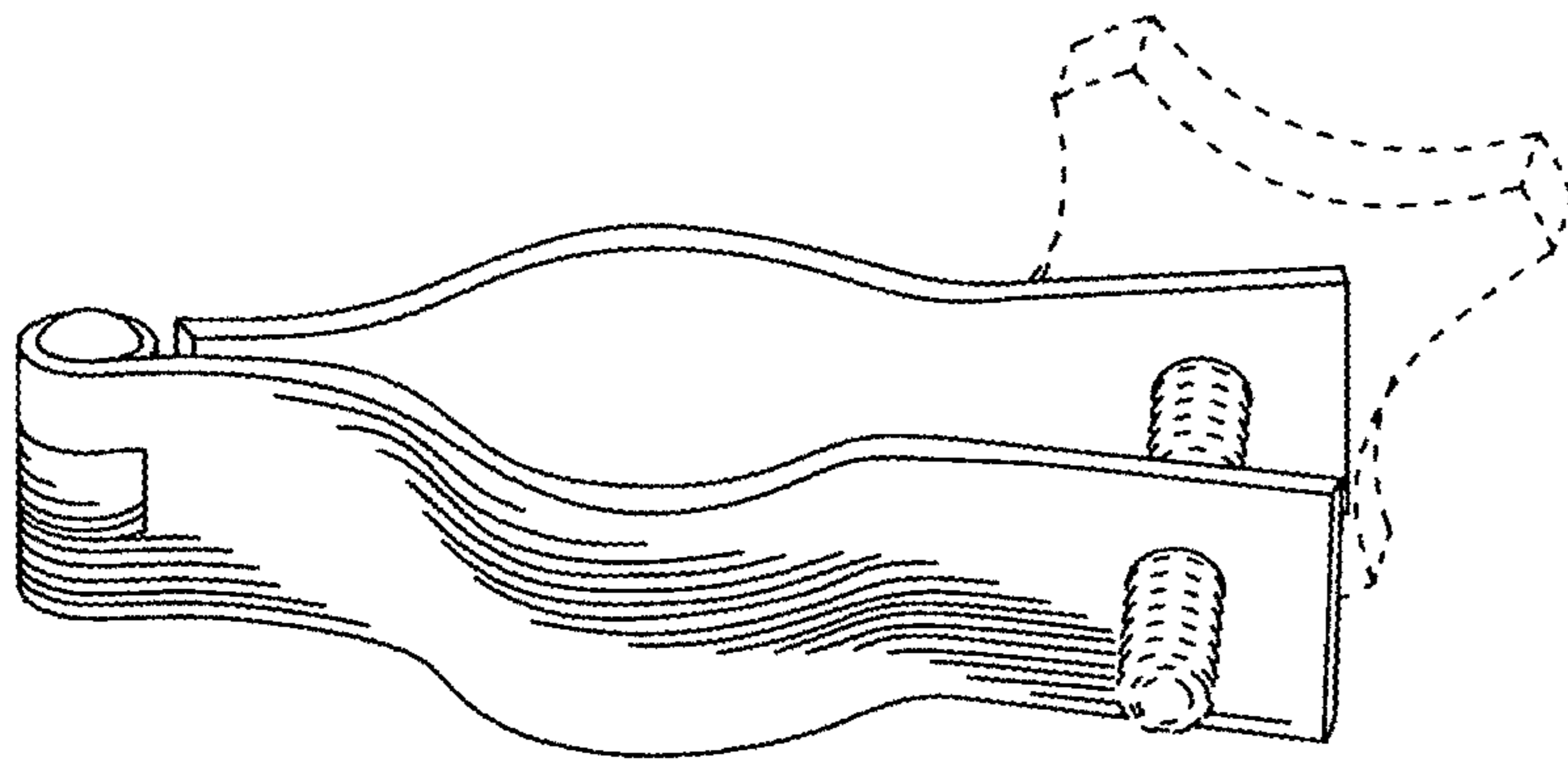
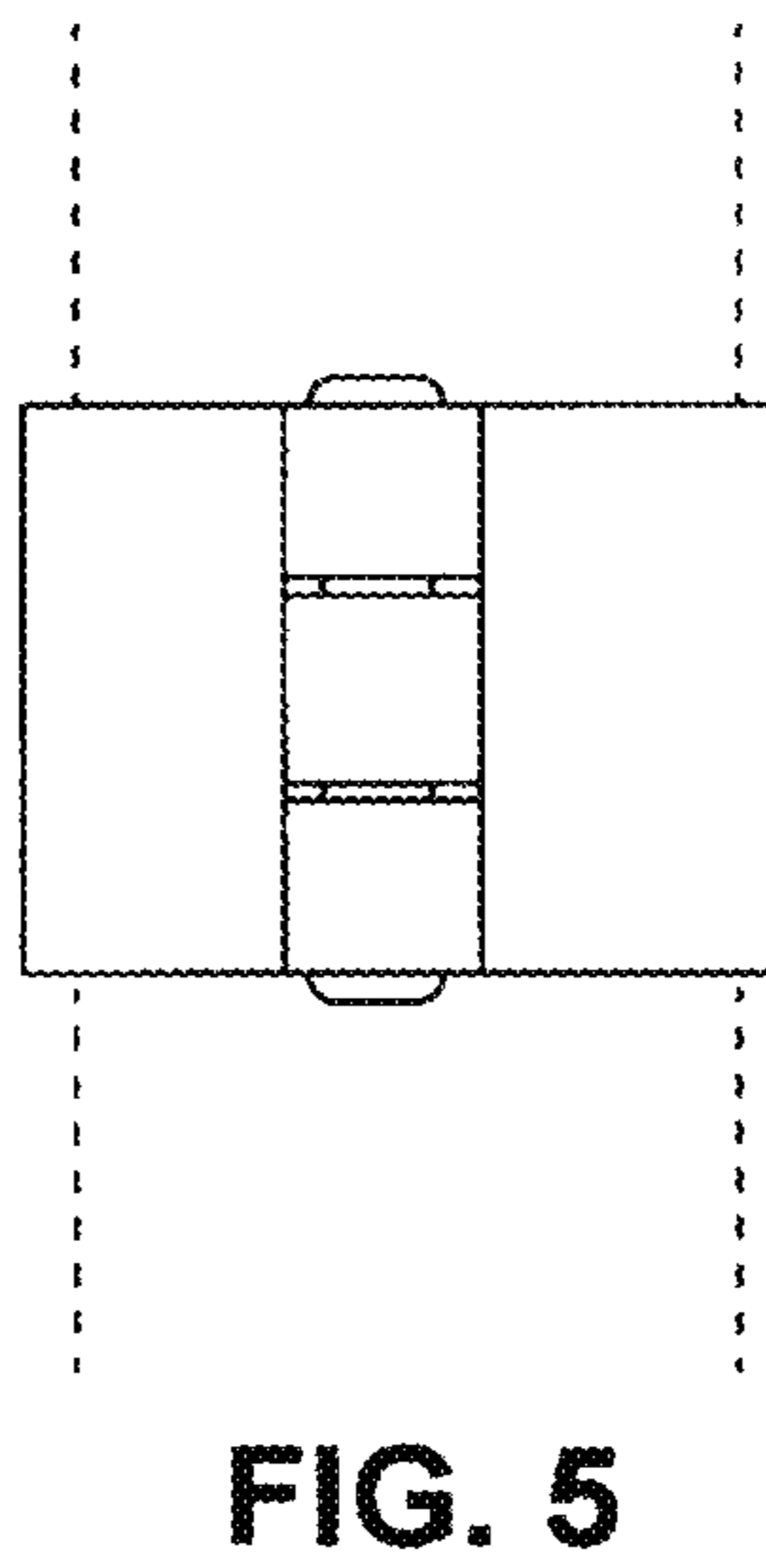
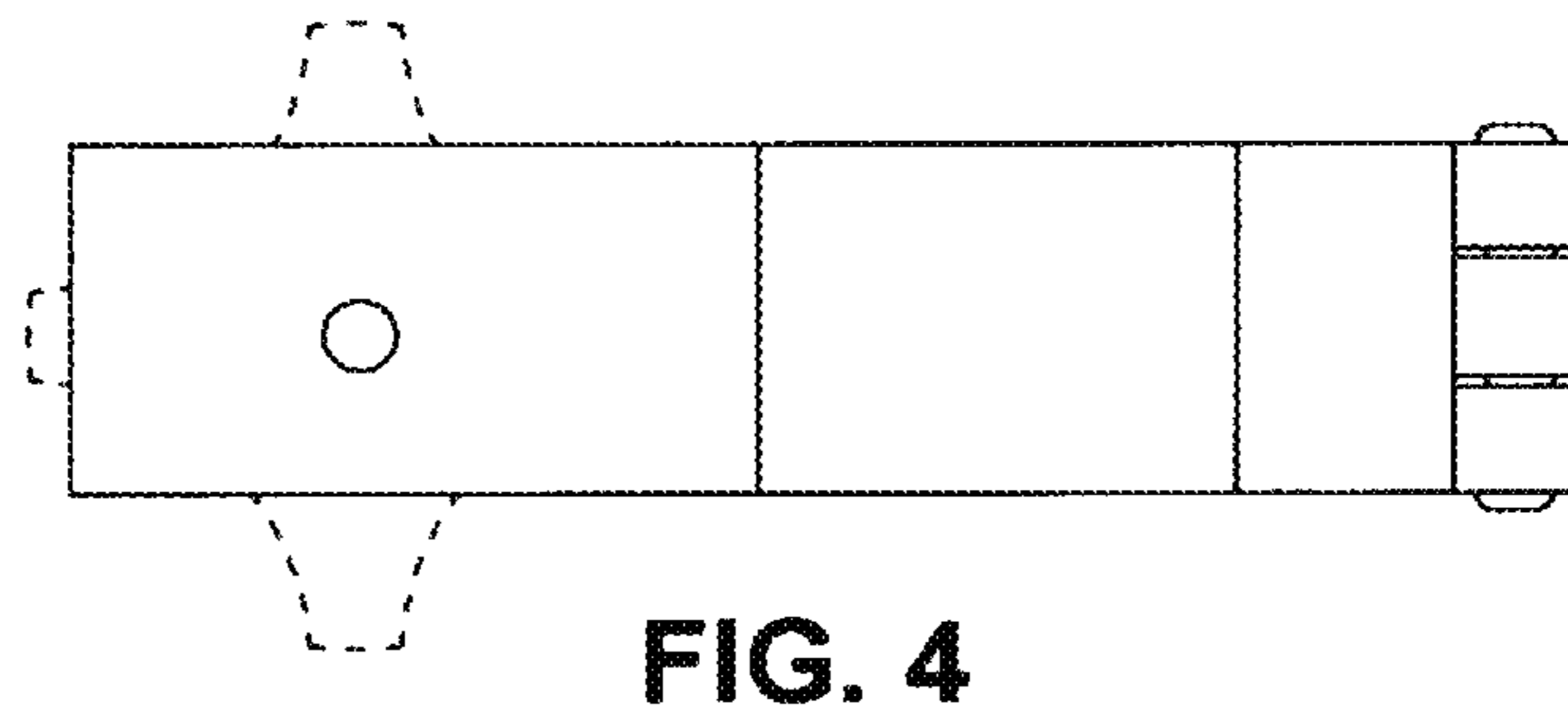
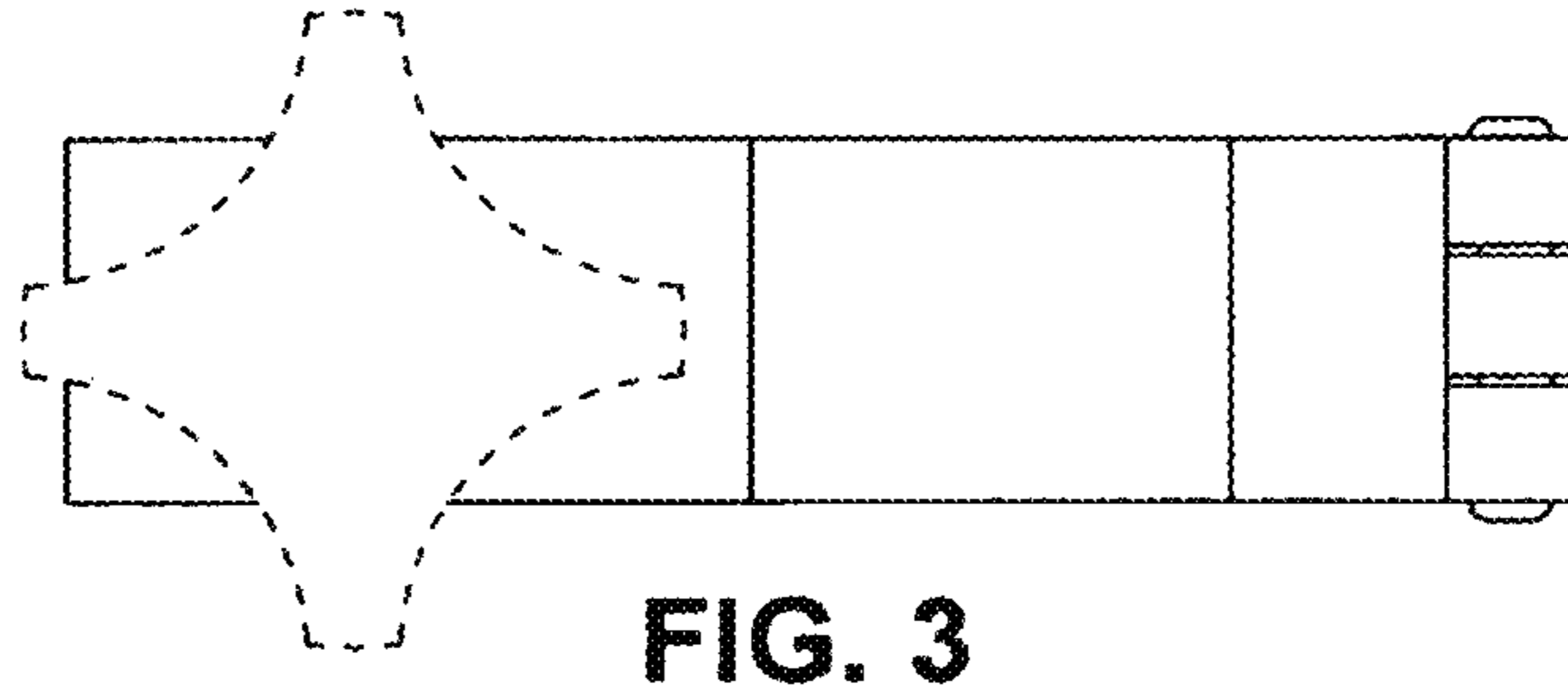


FIG. 2



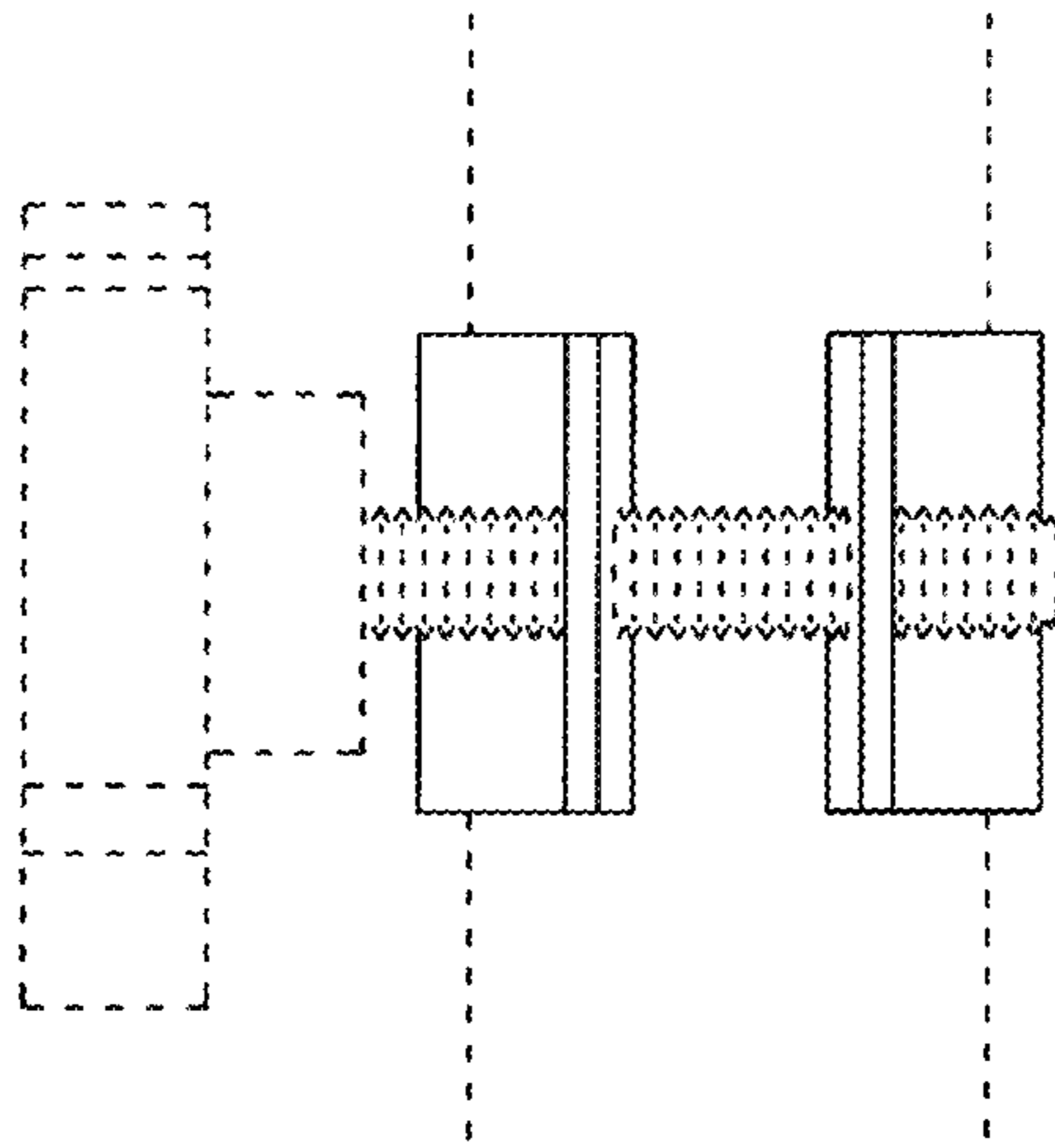


FIG. 6

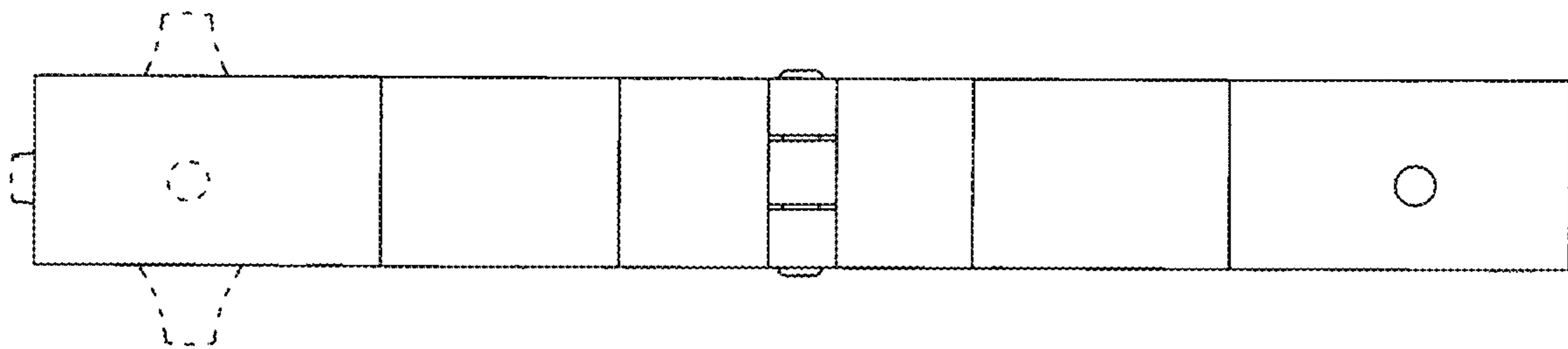


FIG. 7

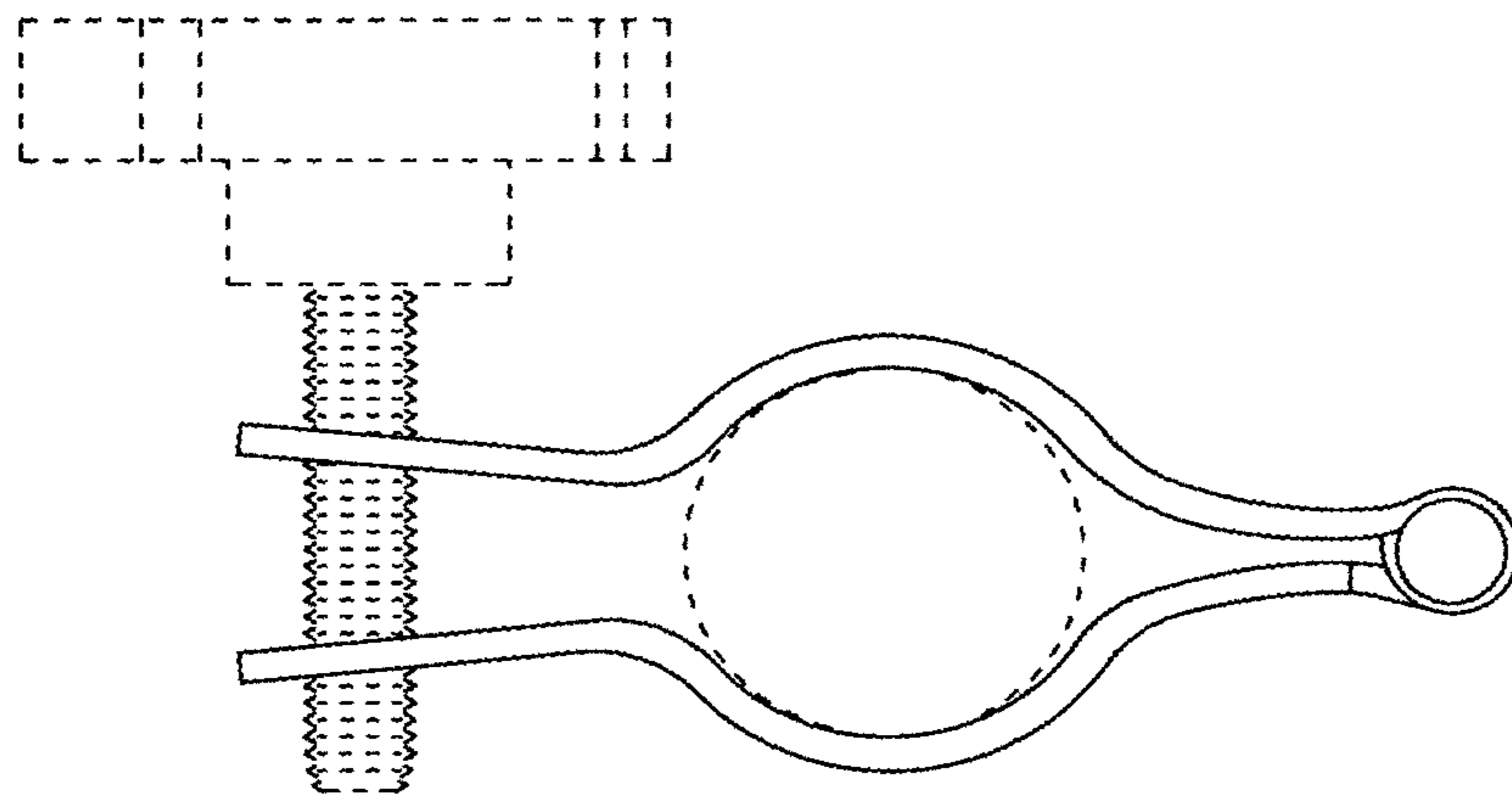


FIG. 8