



US00D926557S

(12) **United States Design Patent** (10) **Patent No.:** **US D926,557 S**
Blanchette et al. (45) **Date of Patent:** **** Aug. 3, 2021**

- (54) **HOSE STORAGE DEVICE**
- (71) Applicant: **TEKNOR APEX COMPANY**,
Pawtucket, RI (US)
- (72) Inventors: **Gil Blanchette**, E. Greenwich, RI (US);
Michael Melo, North Dartmouth, MA
(US); **Timothy L. Chapman**, Stanton,
TN (US); **Michael Creighton**,
Warrington, PA (US)
- (73) Assignee: **TEKNOR APEX COMPANY**,
Pawtucket, RI (US)
- (**) Term: **15 Years**
- (21) Appl. No.: **29/707,643**
- (22) Filed: **Sep. 30, 2019**
- (51) **LOC (13) Cl.** **09-06**
- (52) **U.S. Cl.**
USPC **D8/356**
- (58) **Field of Classification Search**
USPC D6/323; D8/356, 354, 349, 358, 373,
D8/379, 367, 394, 18, 105; 248/68.1, 89,
248/341; 137/355.16; 242/400.1;
211/60.1; D24/128; D11/208, 218
CPC B65G 7/12; A62C 33/04; B65H 75/366
See application file for complete search history.

- 4,436,267 A 3/1984 Eads et al.
- D289,139 S 4/1987 Chasen
- D289,255 S 4/1987 Chasen
- D307,539 S 5/1990 Goodman
- 5,205,521 A 4/1993 Smith
- 5,207,403 A 5/1993 Penniman
- D339,058 S 9/1993 Greenhut et al.
- D345,497 S 3/1994 Miller
- D361,930 S 9/1995 Fillipp
- D390,014 S 2/1998 Ho
- D393,412 S 4/1998 Bries

(Continued)

Primary Examiner — Cynthia R Underwood
(74) *Attorney, Agent, or Firm* — Hudak, Shunk & Farine
Co. LPA

(57) **CLAIM**

The ornamental design for a hose storage device, as shown and described.

DESCRIPTION

FIG. 1 is a front right side slightly downward-looking perspective view of a hose storage device, as shown and described;

FIG. 2 is a front left side slightly downward-looking perspective view thereof;

FIG. 3 is a front view thereof;

FIG. 4 is a rear view thereof;

FIG. 5 is a left side view thereof;

FIG. 6 is a right side view thereof;

FIG. 7 is a rear right side slightly upward-looking perspective view thereof;

FIG. 8 is a rear left side slightly upward-looking perspective view thereof;

FIG. 9 is a top view thereof; and,

FIG. 10 is a bottom view thereof.

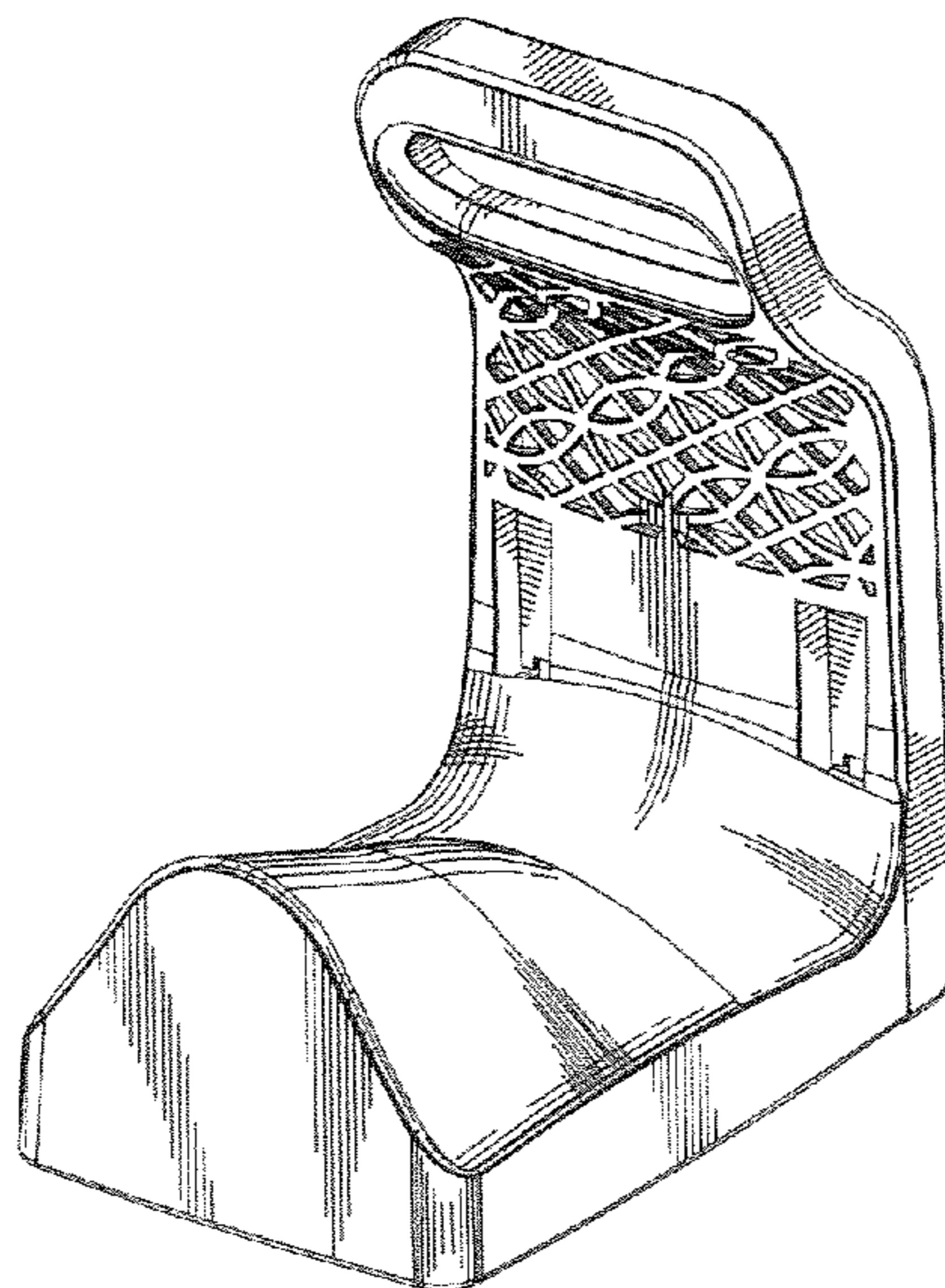
The broken lines represent unclaimed portions of the hose storage device, which are included for the purpose of illustrating unclaimed environmental structure only, and form no part of the claimed design.

(56) **References Cited**

U.S. PATENT DOCUMENTS

- 1,886,882 A * 11/1932 Huber A41F 7/00
24/698.1
- 2,747,823 A * 5/1956 Swenholt B65H 75/366
248/85
- 3,029,933 A * 4/1962 Sutter B65H 75/366
206/577
- 3,288,306 A 11/1966 Walters
- 3,942,528 A * 3/1976 Loeser A61M 25/02
604/174

1 Claim, 5 Drawing Sheets



(56)

References Cited

U.S. PATENT DOCUMENTS

D397,388 S 8/1998 Nelson
 D417,385 S 12/1999 Bries et al.
 6,059,215 A * 5/2000 Finnis B65H 75/366
 242/400.1
 D438,449 S * 3/2001 Taylor D8/356
 6,206,613 B1 * 3/2001 Elkins F16L 3/26
 405/157
 6,325,342 B1 12/2001 Dignat
 D462,254 S 9/2002 Wright et al.
 D480,292 S 10/2003 Johansson et al.
 D483,654 S * 12/2003 Taylor D8/356
 D494,452 S 8/2004 Sheldon et al.
 D509,147 S * 9/2005 Selby D9/715
 D525,359 S * 7/2006 Stephens D24/128
 D543,837 S 6/2007 Newbould et al.
 D554,481 S 11/2007 Newbould et al.
 D554,482 S 11/2007 Hager et al.
 D556,021 S 11/2007 Sexton
 D565,939 S 4/2008 Newbould et al.
 D571,190 S 6/2008 Spadotto
 D572,121 S 7/2008 Shiffler
 D572,128 S 7/2008 Poulsen
 D576,020 S 9/2008 Arcati
 D579,322 S 10/2008 Newbould et al.
 D583,653 S 12/2008 Thompson et al.
 D584,939 S 1/2009 Snell
 7,571,744 B2 * 8/2009 Zia A61M 5/1418
 138/103
 D603,688 S 11/2009 Chiu
 D609,995 S 2/2010 Hager et al.
 7,678,083 B2 * 3/2010 Stephens A61M 25/00
 604/174
 7,833,620 B2 11/2010 Enserink et al.
 D632,951 S 2/2011 McGreevy et al.
 D641,228 S 7/2011 Qiblawi et al.

D641,614 S 7/2011 Pontaoe
 D647,784 S * 11/2011 McNamara D8/349
 D665,653 S 8/2012 Thompson et al.
 D672,223 S 12/2012 Thompson
 D678,041 S 3/2013 Pan et al.
 D680,804 S 4/2013 Gilboe
 D682,663 S 5/2013 Evon
 8,561,951 B2 10/2013 Wills et al.
 D697,388 S * 1/2014 Pan D8/367
 D697,389 S 1/2014 Pan
 D707,111 S 6/2014 Callif
 D735,560 S 8/2015 Anderson et al.
 D763,665 S * 8/2016 Hallare D8/356
 D769,700 S 10/2016 Chinchon et al.
 D784,790 S * 4/2017 Marsh D8/349
 D789,526 S * 6/2017 Serafini D24/128
 D798,131 S * 9/2017 Agneessens D8/373
 D811,857 S * 3/2018 Williams D8/356
 D817,749 S 5/2018 Ryu et al.
 D826,033 S * 8/2018 Feng D8/356
 D830,157 S * 10/2018 Kreinbrink D8/373
 D834,932 S * 12/2018 Babbage D8/394
 D837,039 S * 1/2019 Angus D8/356
 D841,439 S 2/2019 Merten
 10,215,313 B2 * 2/2019 a ko F16L 57/02
 10,264,896 B2 * 4/2019 Petner A47F 7/06
 D873,115 S * 1/2020 Evans D8/354
 D878,907 S * 3/2020 Sotis D8/356
 D880,279 S * 4/2020 Marchesan D8/354
 D883,073 S * 5/2020 Jaramillo D8/354
 D885,949 S * 6/2020 Machijima D10/103
 D889,641 S * 7/2020 Wennborg D24/128
 10,774,951 B2 * 9/2020 Ball F16B 7/185
 D903,474 S * 12/2020 Peng D8/356
 D905,541 S * 12/2020 Somsack D8/356
 2002/0121571 A1 * 9/2002 Ferris H02G 3/0406
 242/615

* cited by examiner

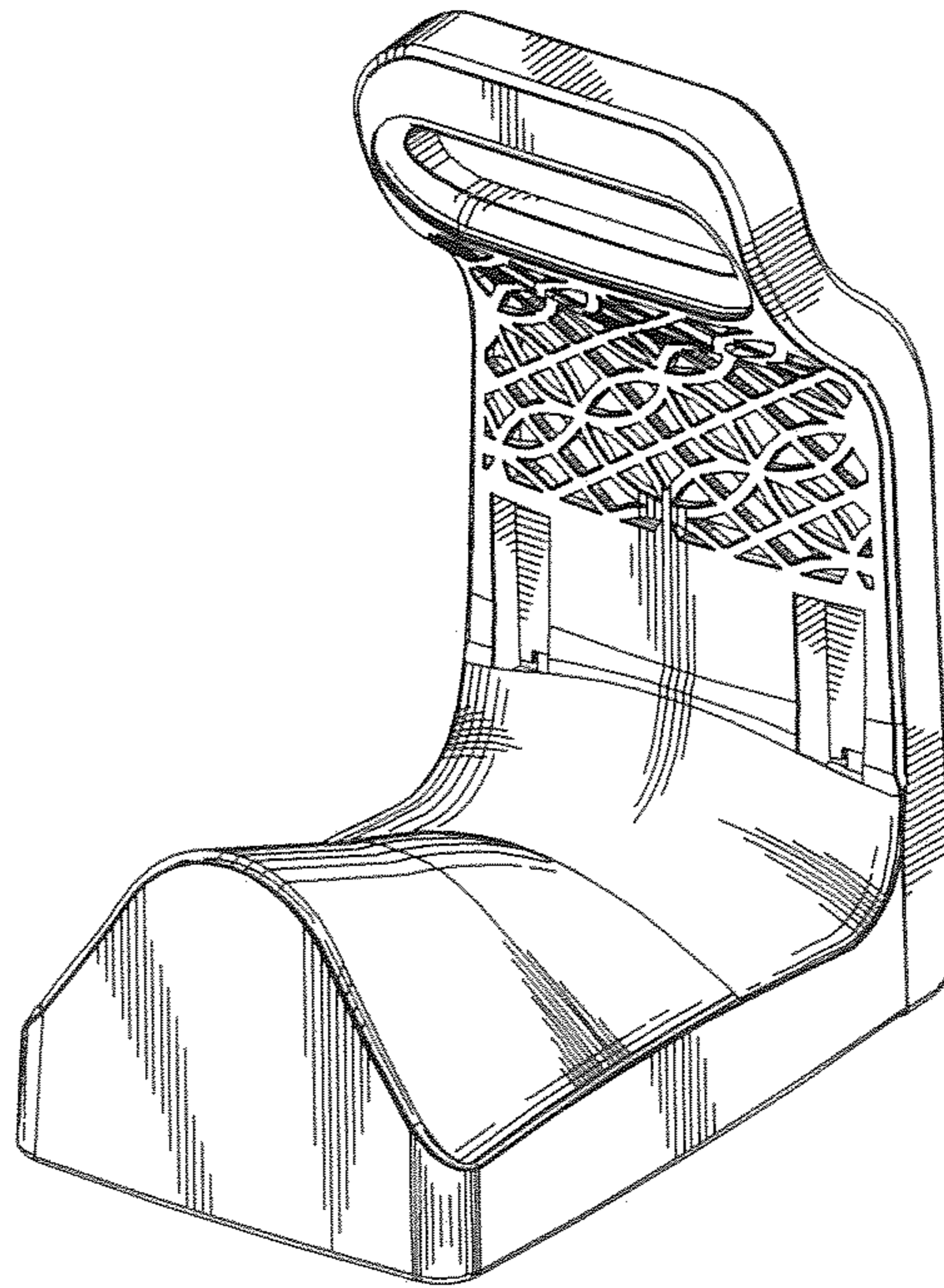


FIG. 1

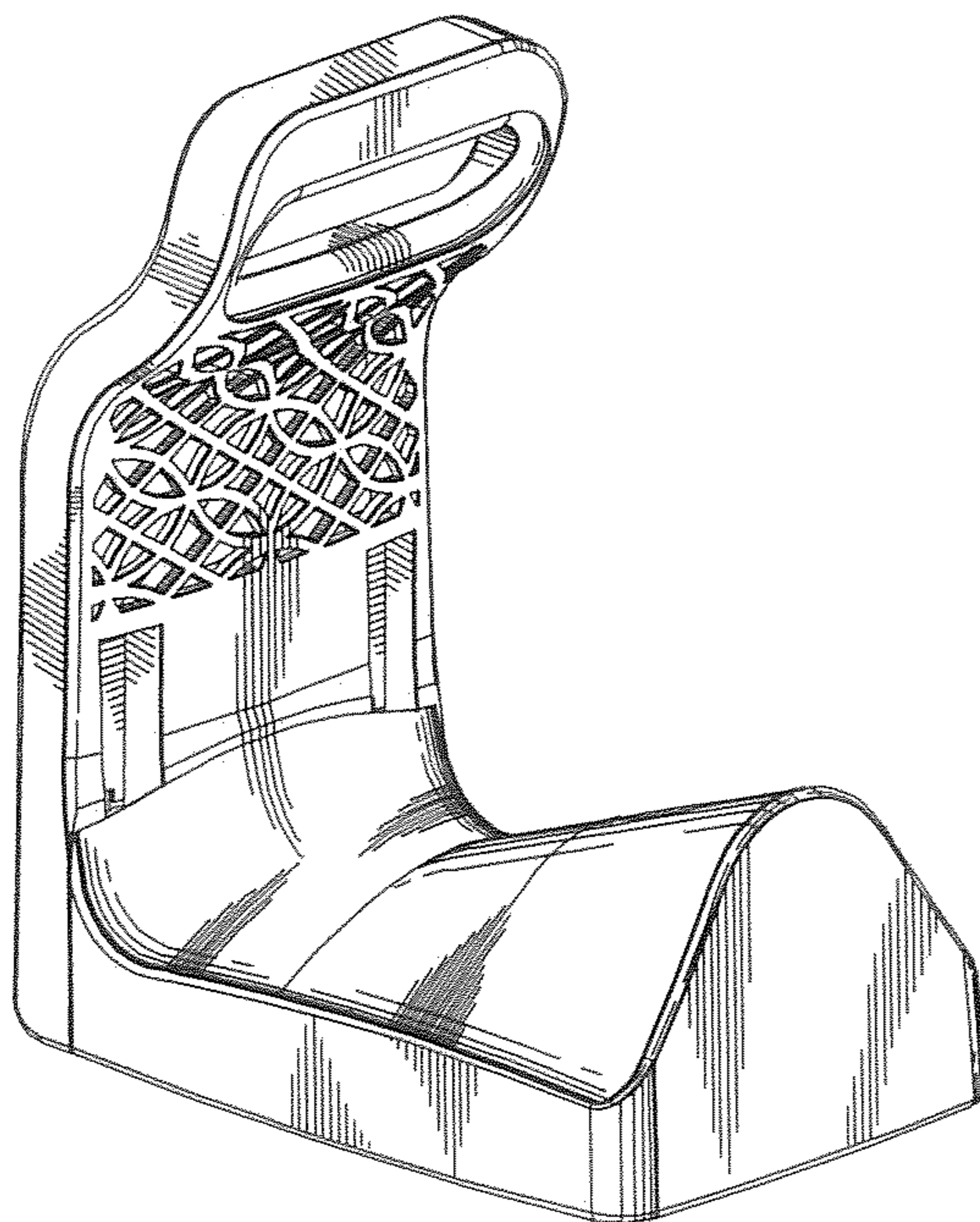


FIG. 2

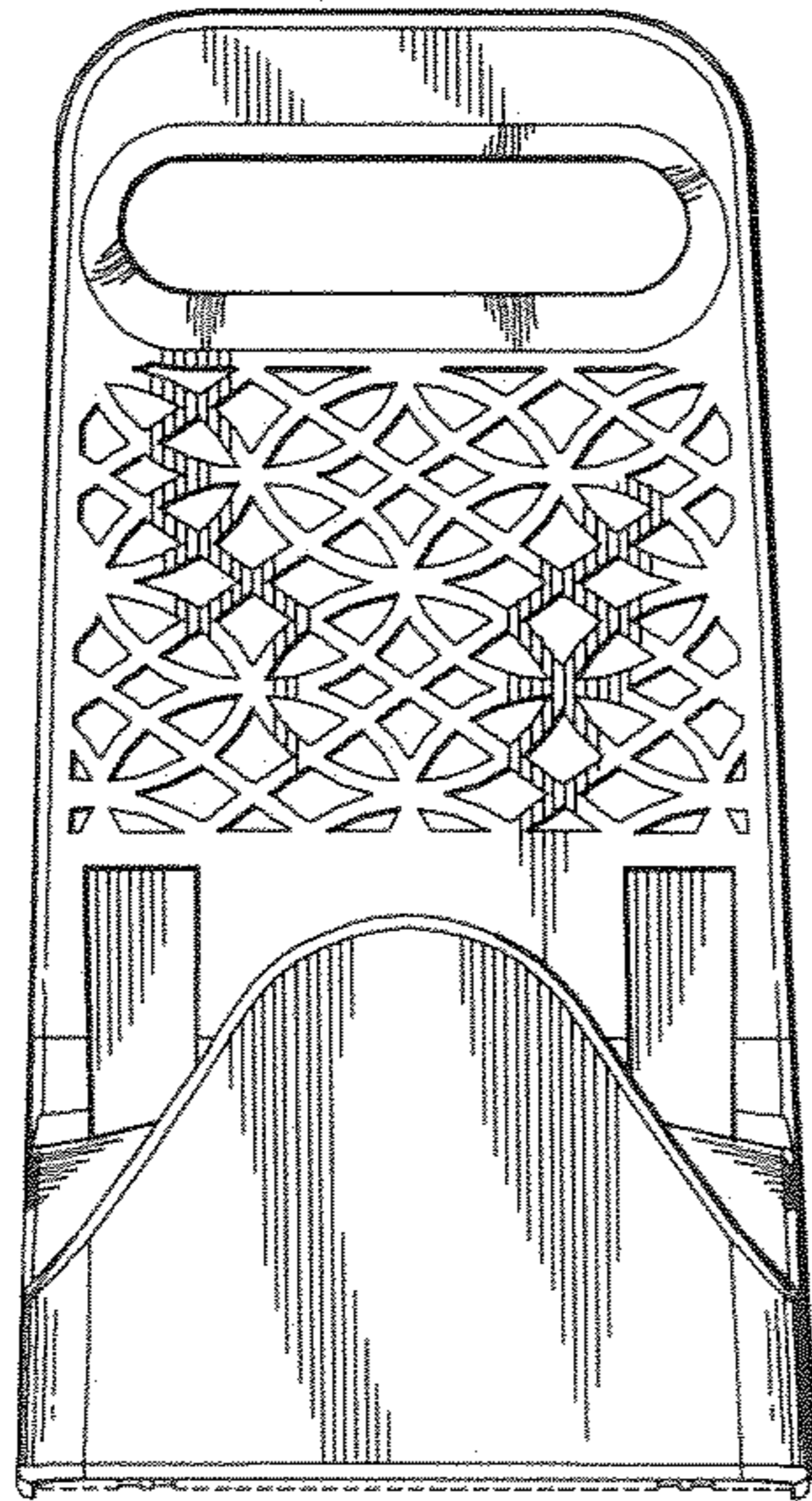


FIG. 3

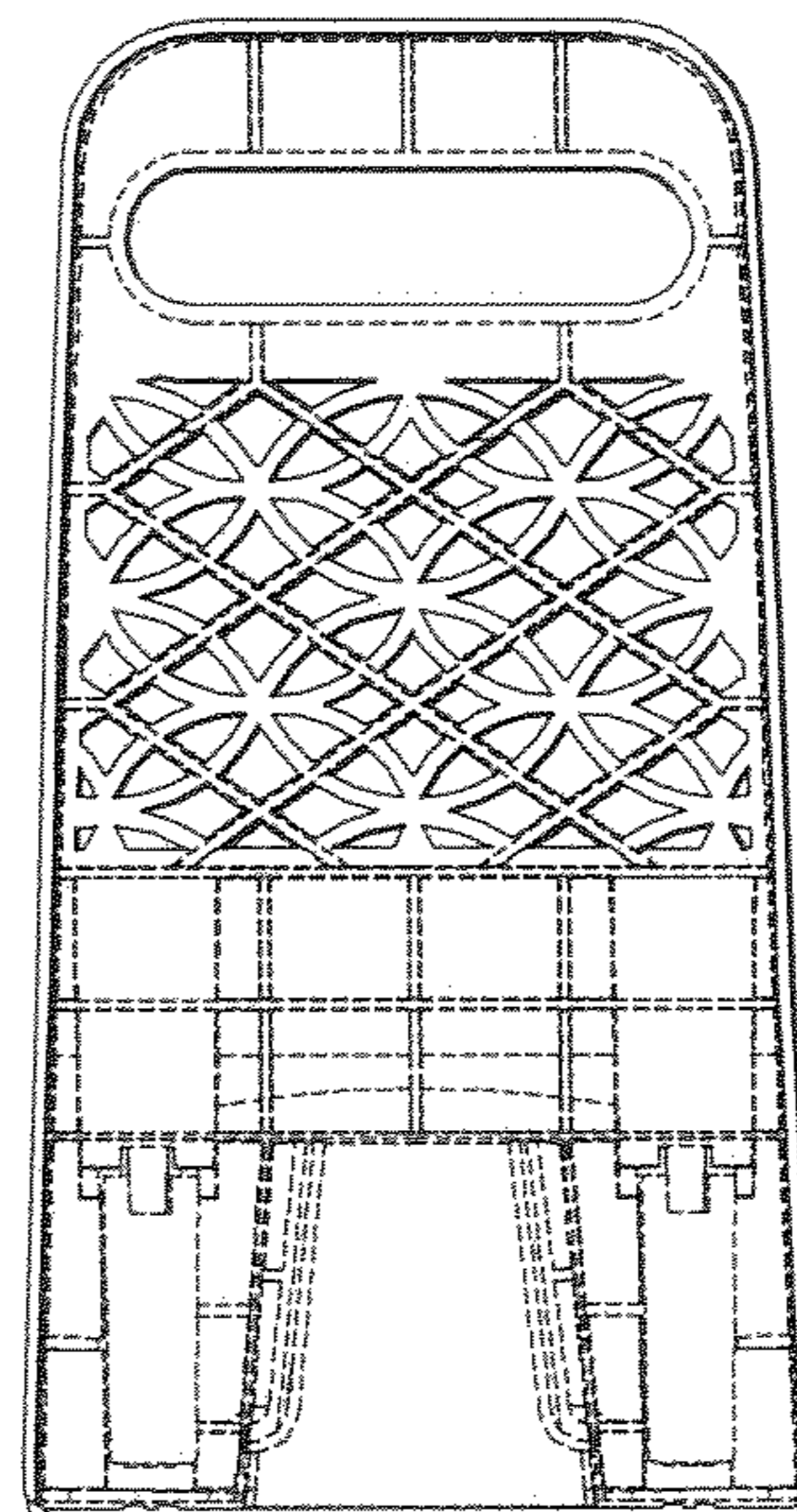


FIG. 4

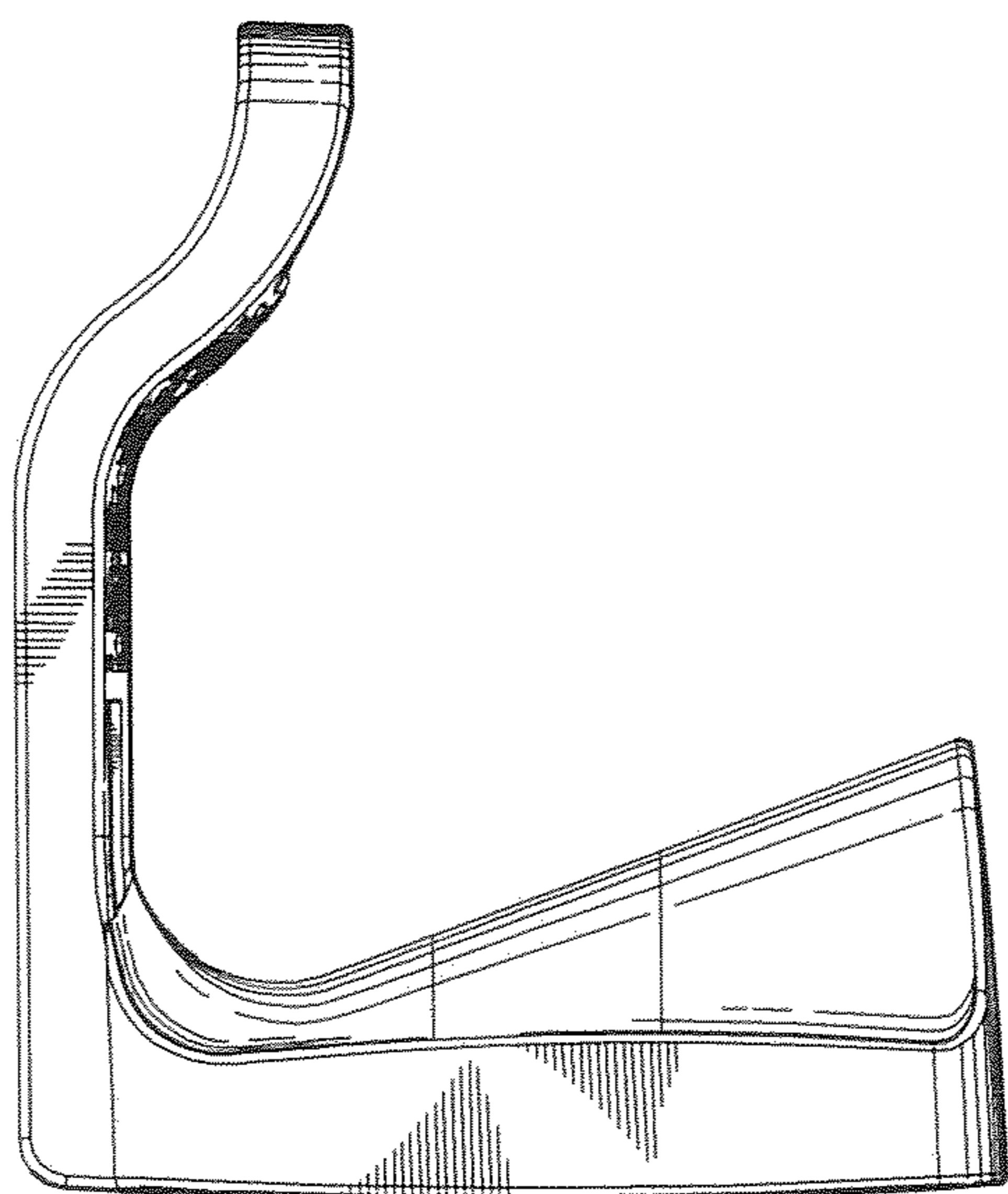


FIG. 5

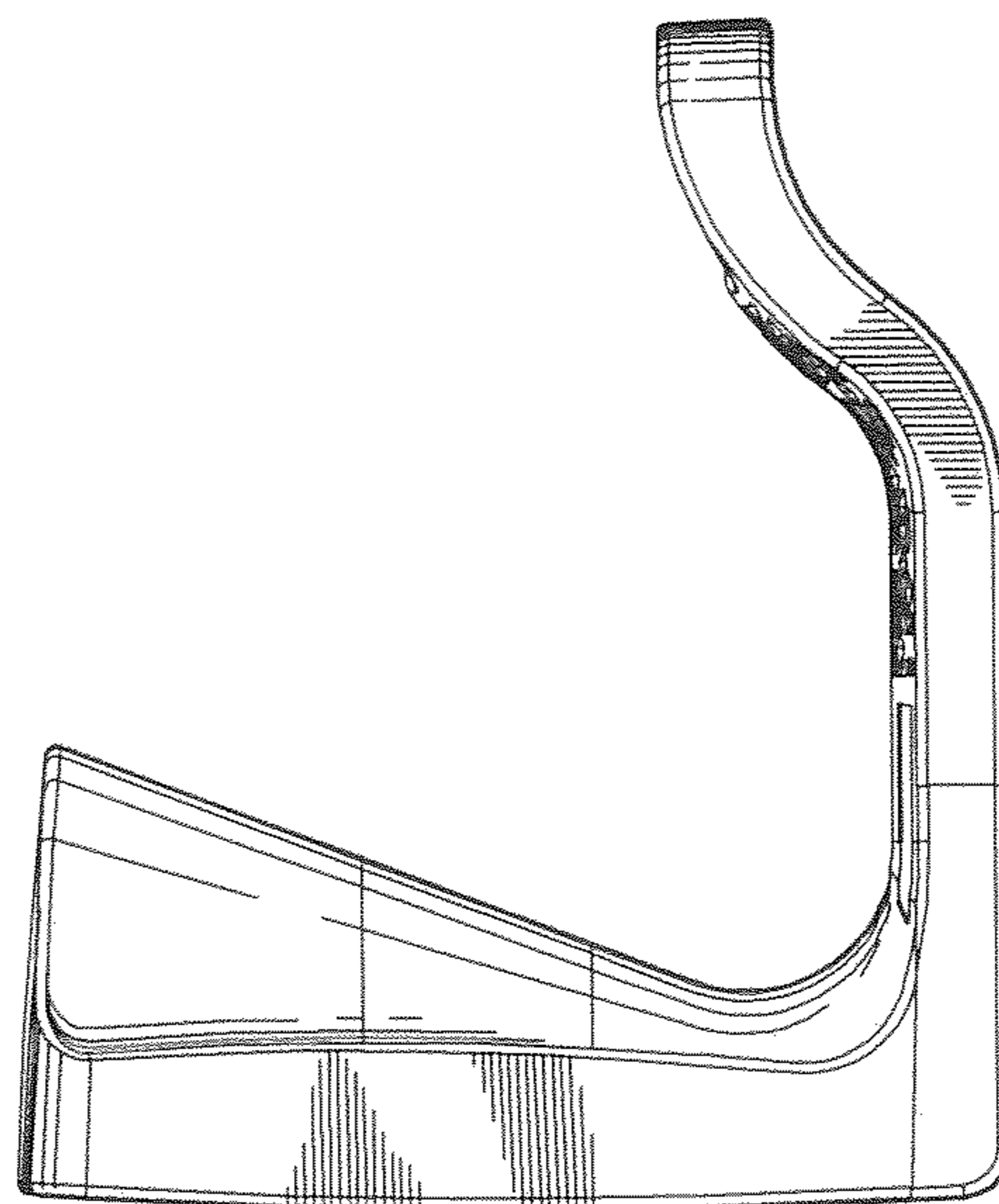


FIG. 6

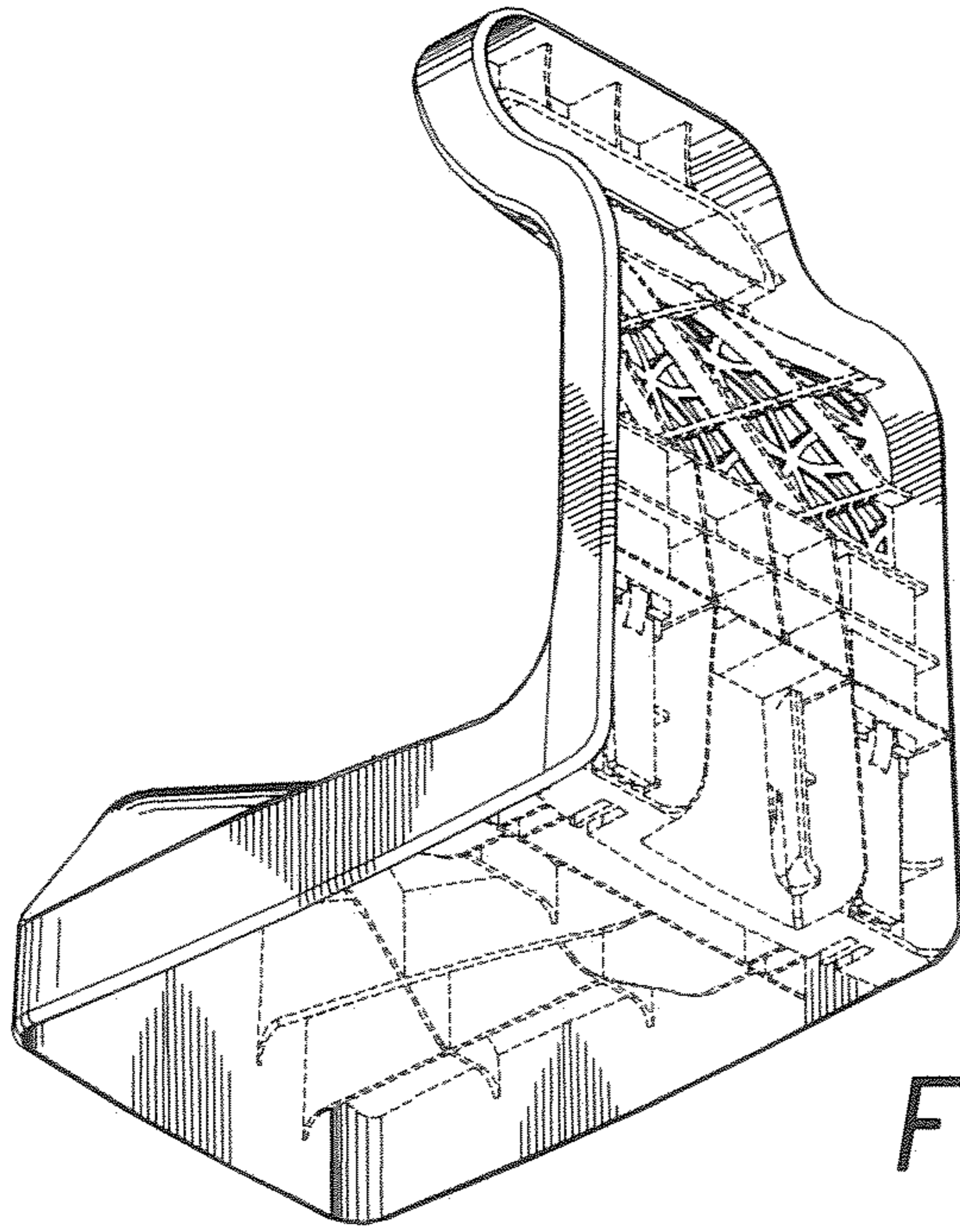


FIG. 7

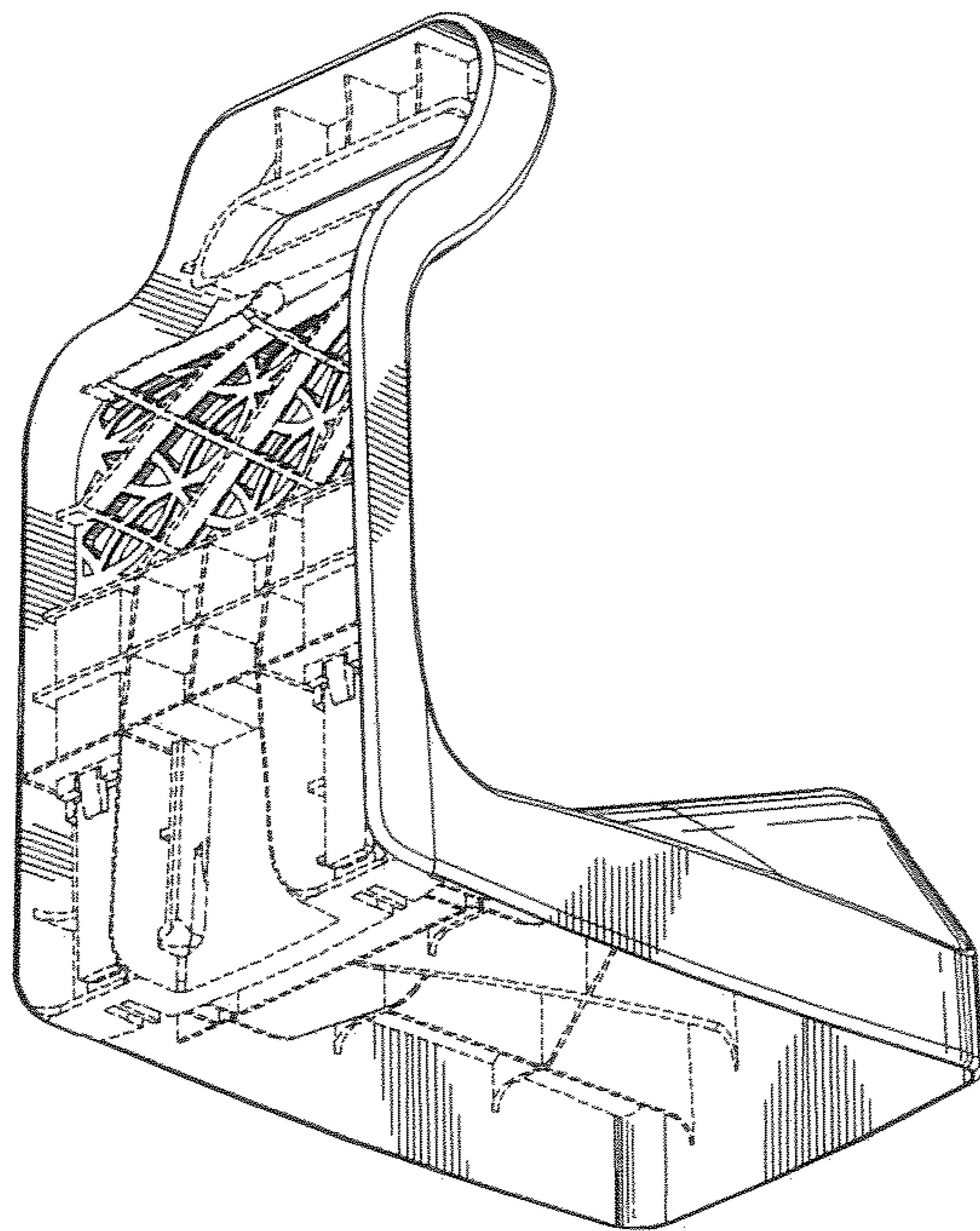


FIG. 8

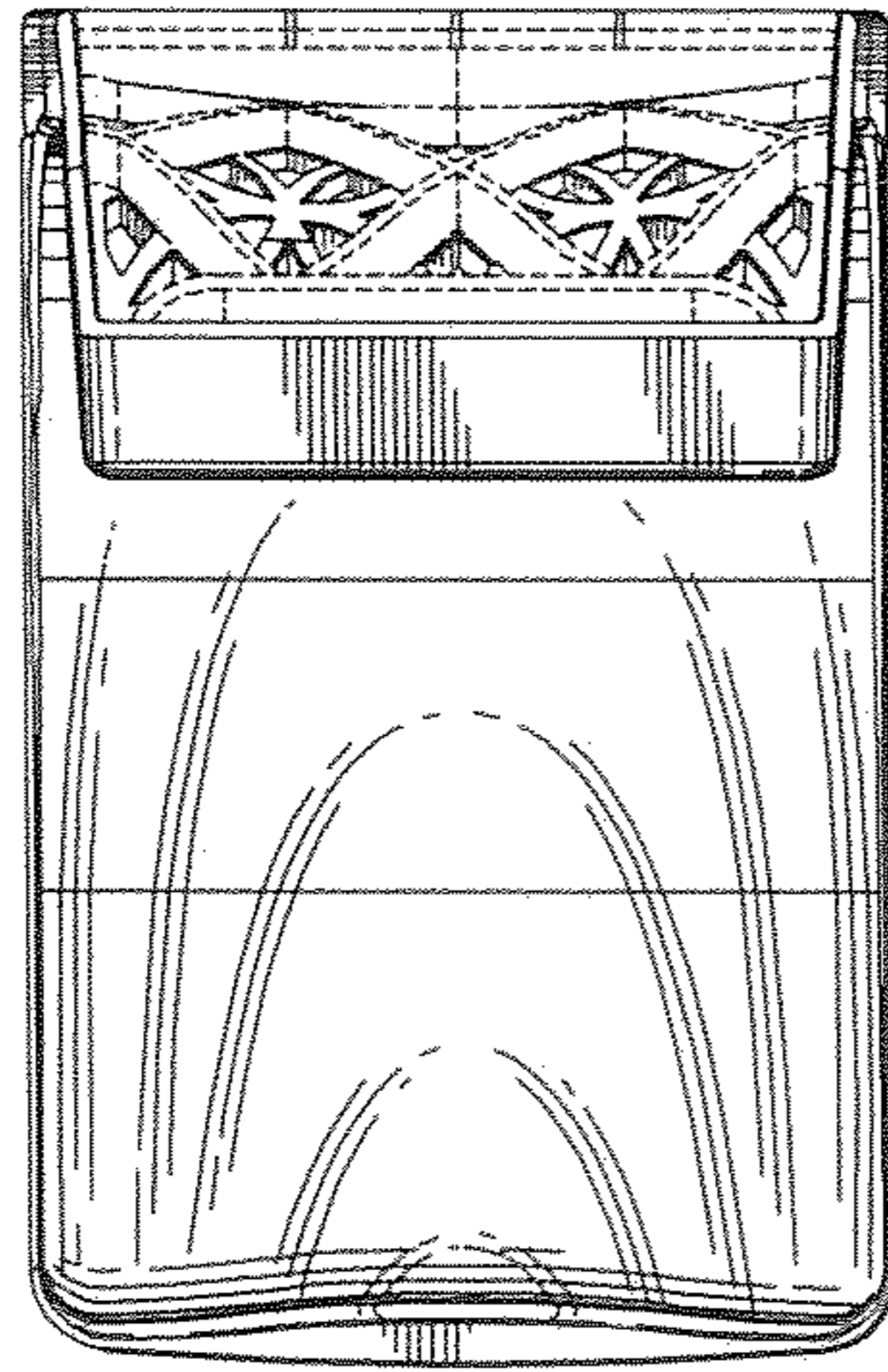


FIG. 9

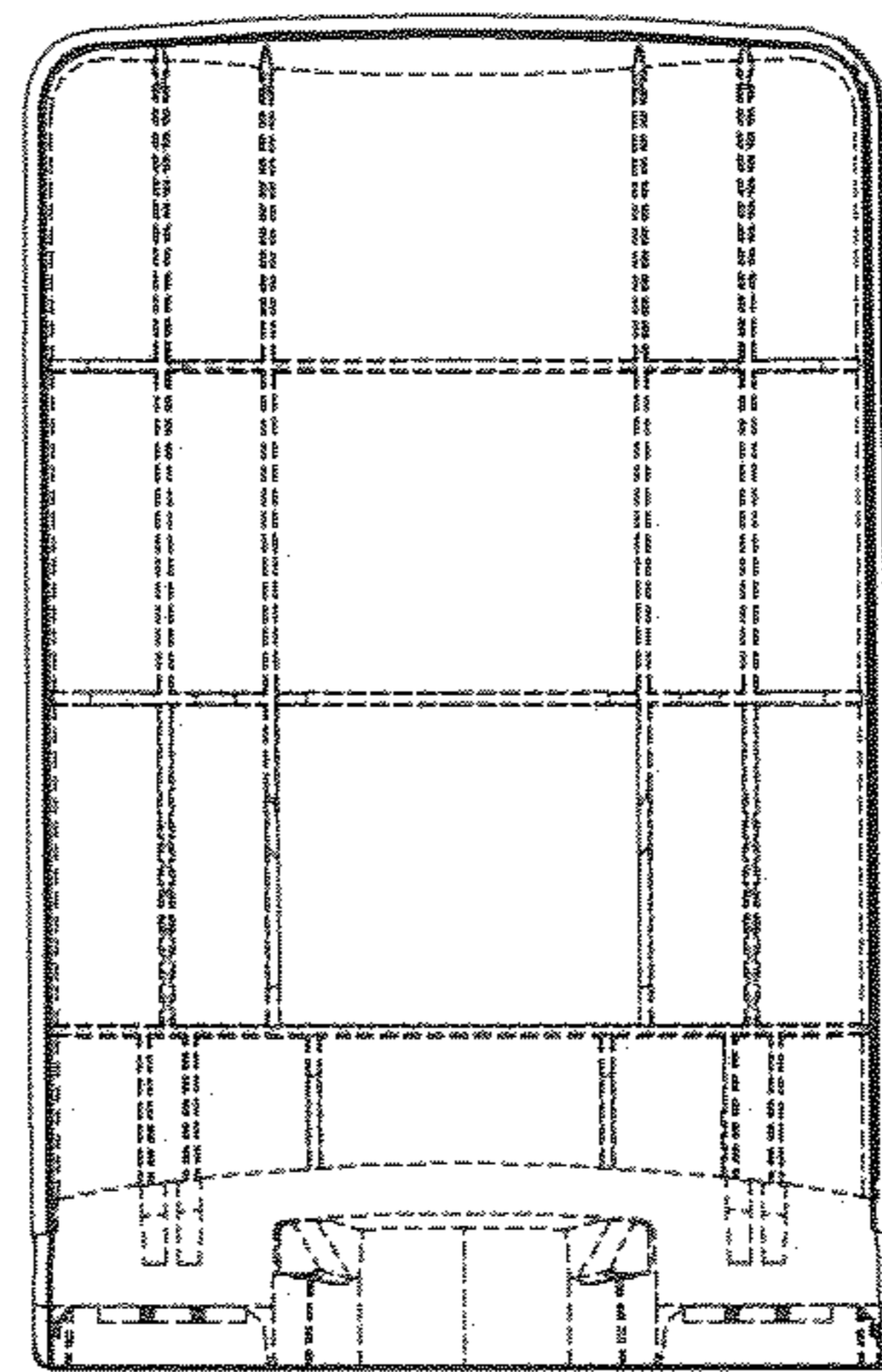


FIG. 10