



US00D926556S

(12) **United States Design Patent**  
**Claudin**

(10) **Patent No.:** **US D926,556 S**

(45) **Date of Patent:** **\*\* Aug. 3, 2021**

(54) **DECKING TRACK**

(71) Applicant: **IIVII, INC.**, Golden, CO (US)

(72) Inventor: **Mark Claudin**, Golden, CO (US)

(73) Assignee: **IIVII, Inc.**, Golden, CO (US)

(\*\*) Term: **15 Years**

(21) Appl. No.: **29/722,873**

(22) Filed: **Feb. 3, 2020**

(51) **LOC (13) Cl.** ..... **08-05**

(52) **U.S. Cl.**  
USPC ..... **D8/354**

(58) **Field of Classification Search**  
USPC ..... D8/354, 349, 366, 356, 373, 376, 377,  
D8/380; D12/317, 318  
CPC ..... E04F 13/0803; E04F 13/24  
See application file for complete search history.

(56) **References Cited**

U.S. PATENT DOCUMENTS

5,617,689	A	4/1997	Beane	
5,735,097	A *	4/1998	Cheyne	B63B 5/06 114/263
5,881,508	A	3/1999	Irvine et al.	
5,950,377	A	9/1999	Yoder	
6,112,479	A	9/2000	Andres	
6,233,886	B1	5/2001	Andres	
6,301,842	B1	10/2001	Chaney et al.	
D451,785	S *	12/2001	Chaney	D8/354
6,339,908	B1	1/2002	Ghuang	
D462,601	S	9/2002	Chaney	
8,146,303	B2	4/2012	Gibson et al.	
8,544,229	B2	10/2013	Kilgore et al.	
8,739,489	B2 *	6/2014	Weber	E04F 11/1846 52/510
9,416,546	B2	8/2016	Claudin	
D810,550	S *	2/2018	Haynie	D8/372

10,577,807	B2 *	3/2020	Doupe	E04F 15/02022
10,889,994	B1 *	1/2021	Schneider	E04F 13/0862
D910,422	S *	2/2021	Lee	D8/354
2002/0056238	A1	5/2002	Leines	
2009/0071089	A1	3/2009	Neuhofer, Jr.	
2010/0024326	A1	2/2010	Turner et al.	
2010/0146900	A1	6/2010	Holland	

(Continued)

OTHER PUBLICATIONS

Duralife Decking & Railing Systems, Screenshot of Web Page Advertisement, 1 page, Publication Date Unknown, Webpage Link: <https://duralifedecking.com/composite-decking/fasteners/step-clip/>.

*Primary Examiner* — Keli L Hill

*Assistant Examiner* — Harold E Blackwell, II

(74) *Attorney, Agent, or Firm* — Schneider IP Law LLC; Laura A. Schneider

(57) **CLAIM**

The ornamental design for a decking track, as shown and described.

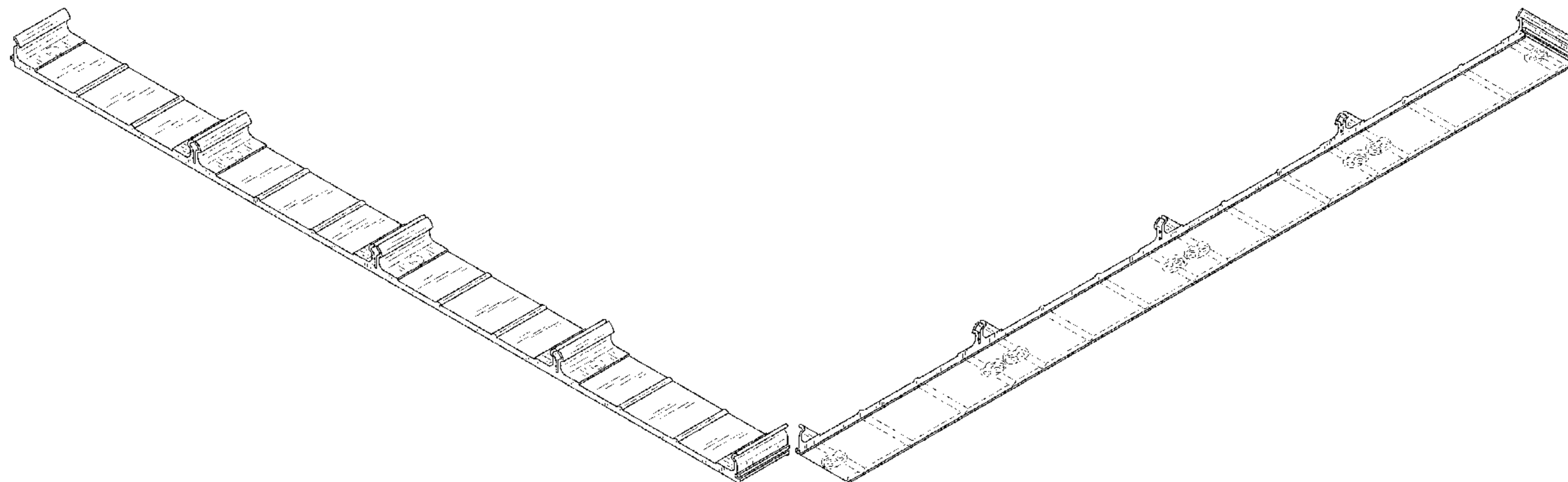
**DESCRIPTION**

FIG. 1 is a top perspective view of the claimed design; FIG. 2 is a bottom perspective view of the claimed design; FIG. 3 is a front view of the claimed design; FIG. 4 is a back view of the claimed design; FIG. 5 is an enlarged right side view of the claimed design; FIG. 6 is an enlarged left side view of the claimed design; FIG. 7 is a top view of the claimed design; and, FIG. 8 is a bottom view of the claimed design.

The figures illustrate a decking track. The nature and environmental use of the claimed design is for attaching decking boards to a support surface for a deck.

The broken lines in the drawings illustrate portions of the decking track which form no part of the claimed design.

**1 Claim, 7 Drawing Sheets**



(56)

**References Cited**

U.S. PATENT DOCUMENTS

2011/0067335	A1 *	3/2011	Gibson .....	E04B 5/12 52/489.2
2015/0075111	A1 *	3/2015	Claudin .....	E04B 5/02 52/708

\* cited by examiner

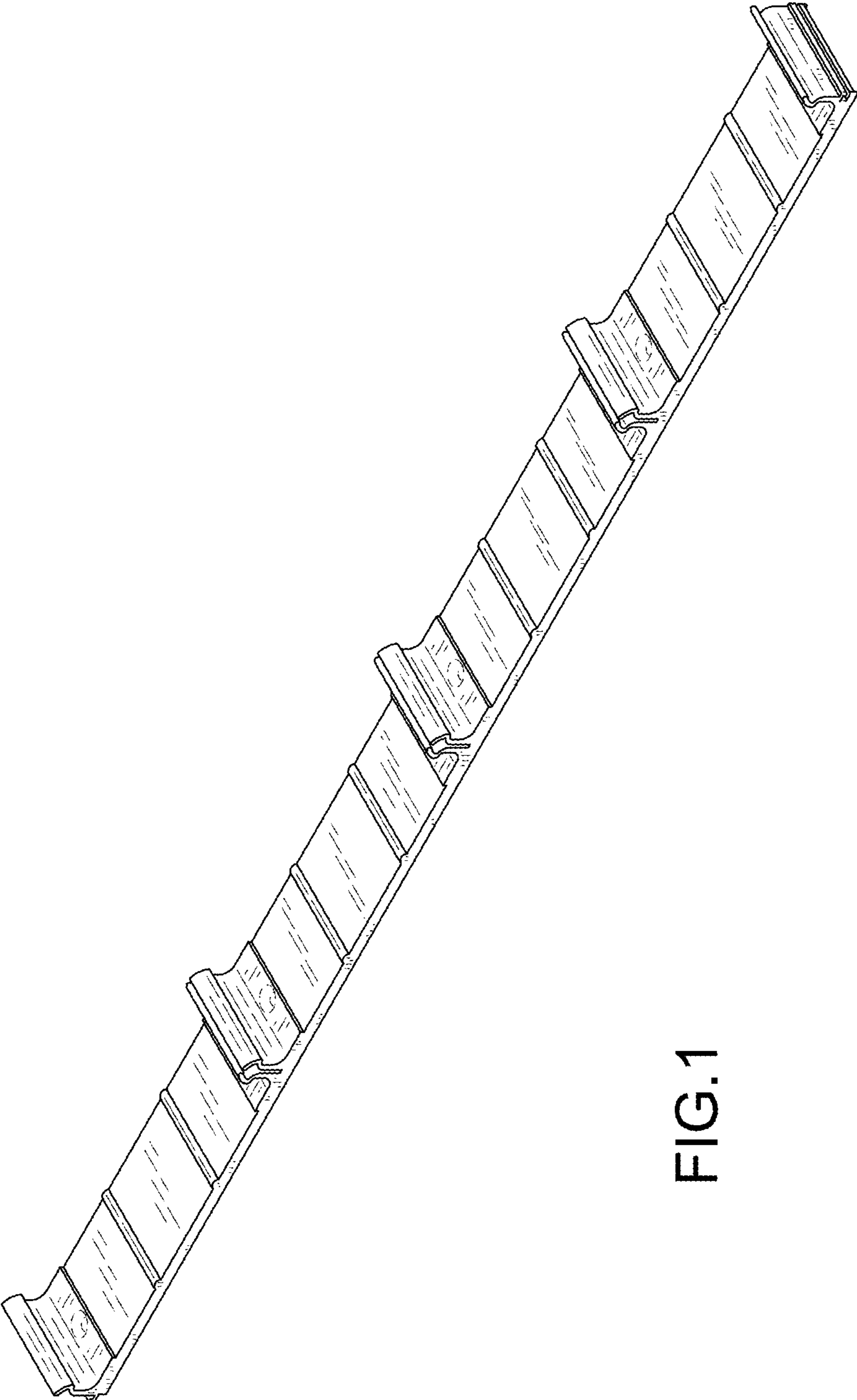


FIG.1

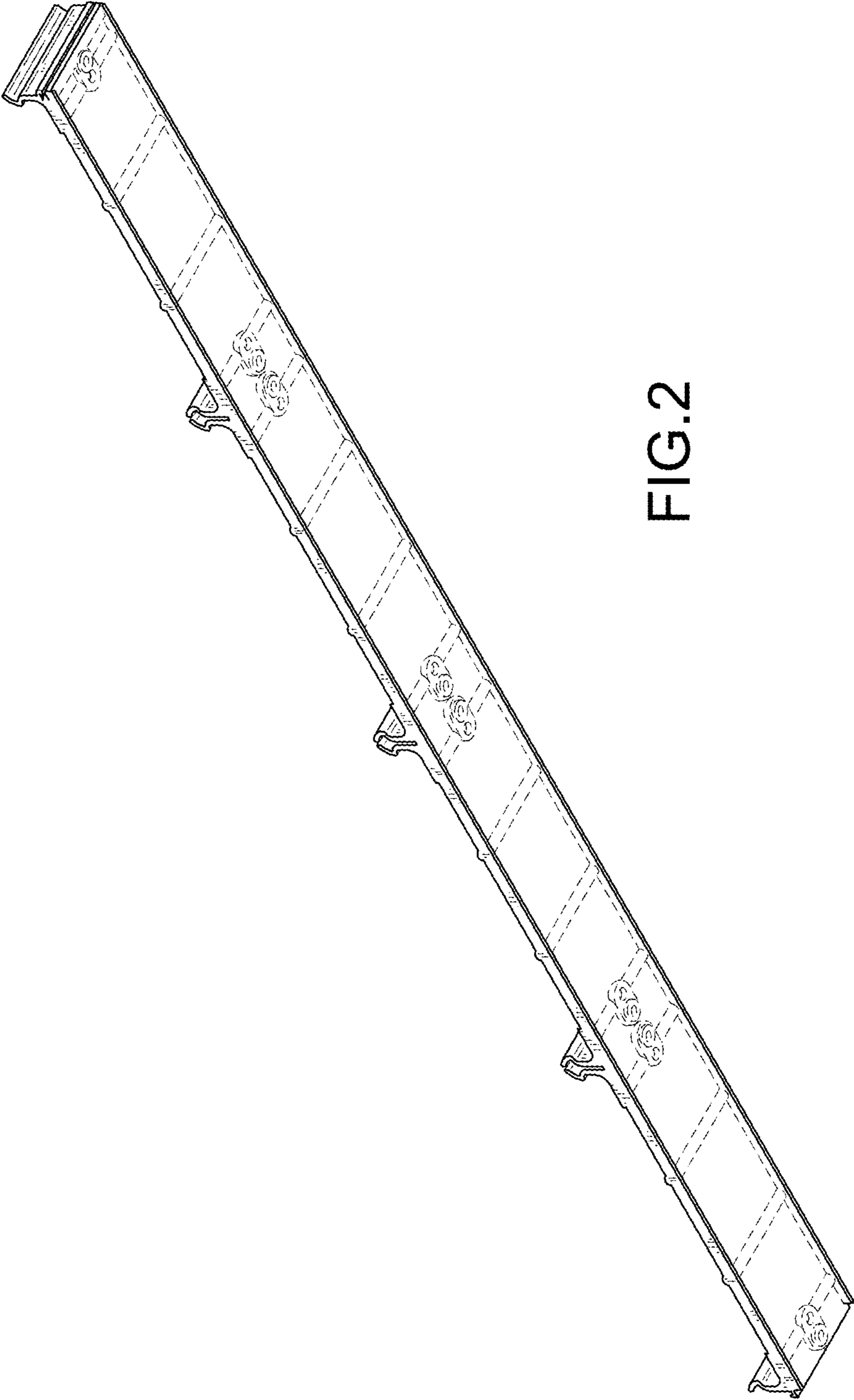


FIG.2

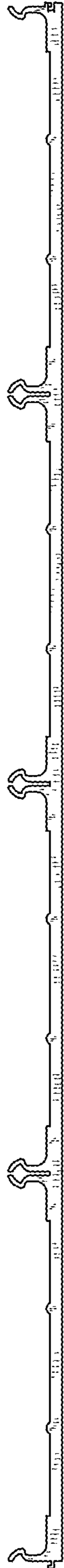


FIG.3

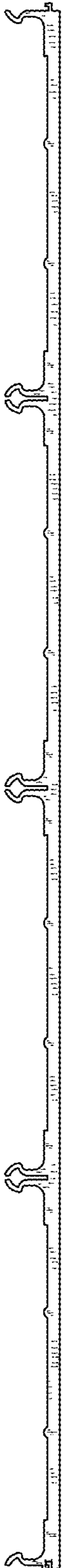


FIG.4

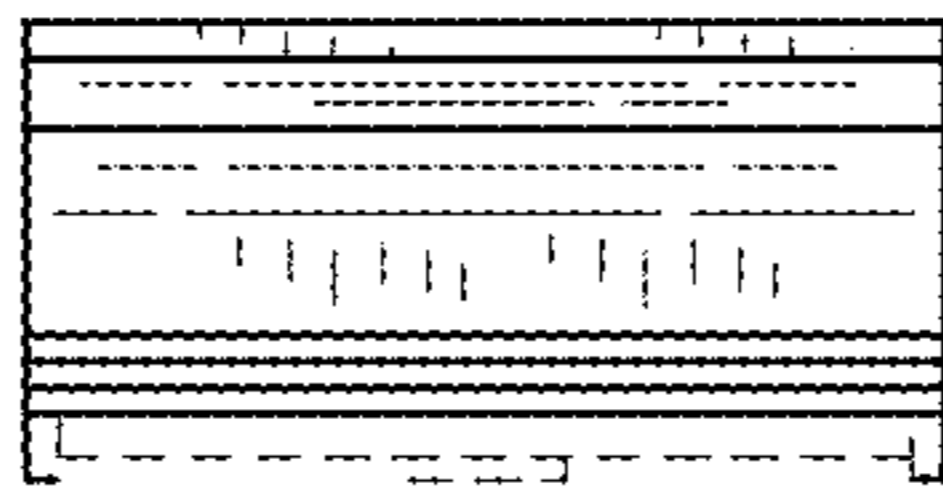


FIG.5

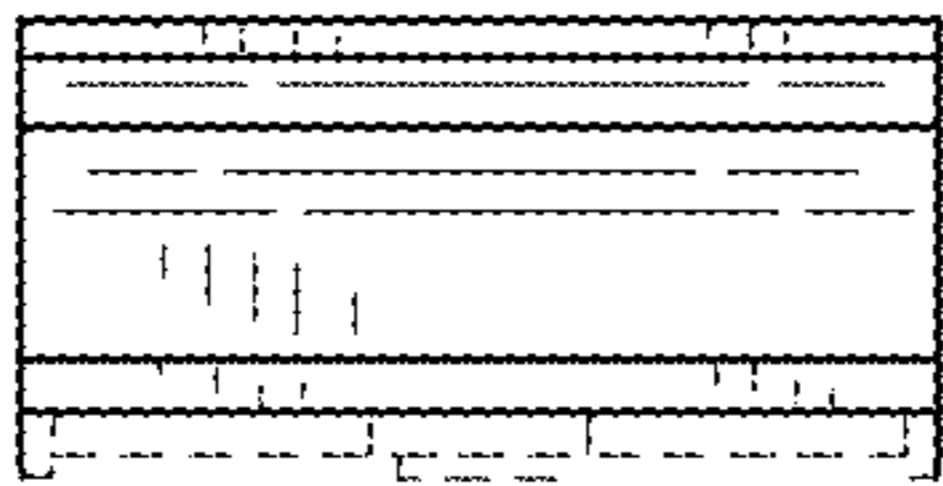


FIG.6

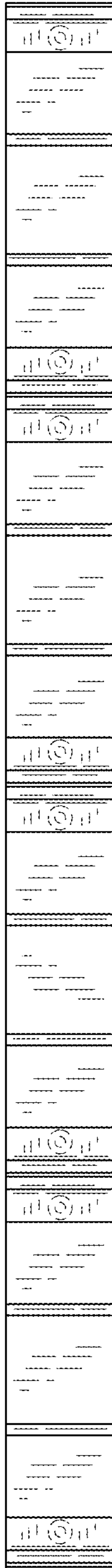


FIG.7



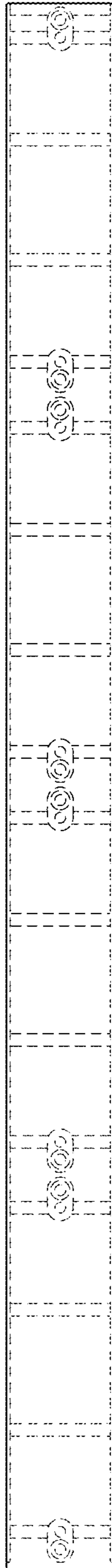


FIG.8