



US00D926554S

(12) **United States Design Patent** (10) **Patent No.:** **US D926,554 S**
Melic (45) **Date of Patent:** **** Aug. 3, 2021**

(54) **SWIVEL HINGE FOR SAFETY FENCE**

D858,251 S * 9/2019 van Cronenburg D8/323
D890,595 S * 7/2020 Alarcon D8/323
D891,222 S * 7/2020 Alarcon D8/323
D909,849 S * 2/2021 Walters D8/323

(71) Applicant: **Integrity Worldwide Inc.**, Burlington
(CA)

(72) Inventor: **Jonathon Jonny Melic**, Burlington
(CA)

(**) Term: **15 Years**

(21) Appl. No.: **29/720,057**

(22) Filed: **Jan. 9, 2020**

(30) **Foreign Application Priority Data**

Jul. 10, 2019 (CA) CA188692

(51) **LOC (13) Cl.** **08-06**

(52) **U.S. Cl.**
USPC **D8/323**

(58) **Field of Classification Search**
USPC D8/323; 292/264; 16/250, 251;
248/213
CPC B64G 1/222; E05D 1/02; E05D 11/082;
E05D 5/12
See application file for complete search history.

(56) **References Cited**

U.S. PATENT DOCUMENTS

D30,721 S * 5/1899 Decker D8/323
D433,918 S * 11/2000 Bradley D8/323

* cited by examiner

Primary Examiner — Cynthia R Underwood

(74) *Attorney, Agent, or Firm* — Emerson, Thomson &
Bennett, LLC; Roger D. Emerson; Peter R. Detorre

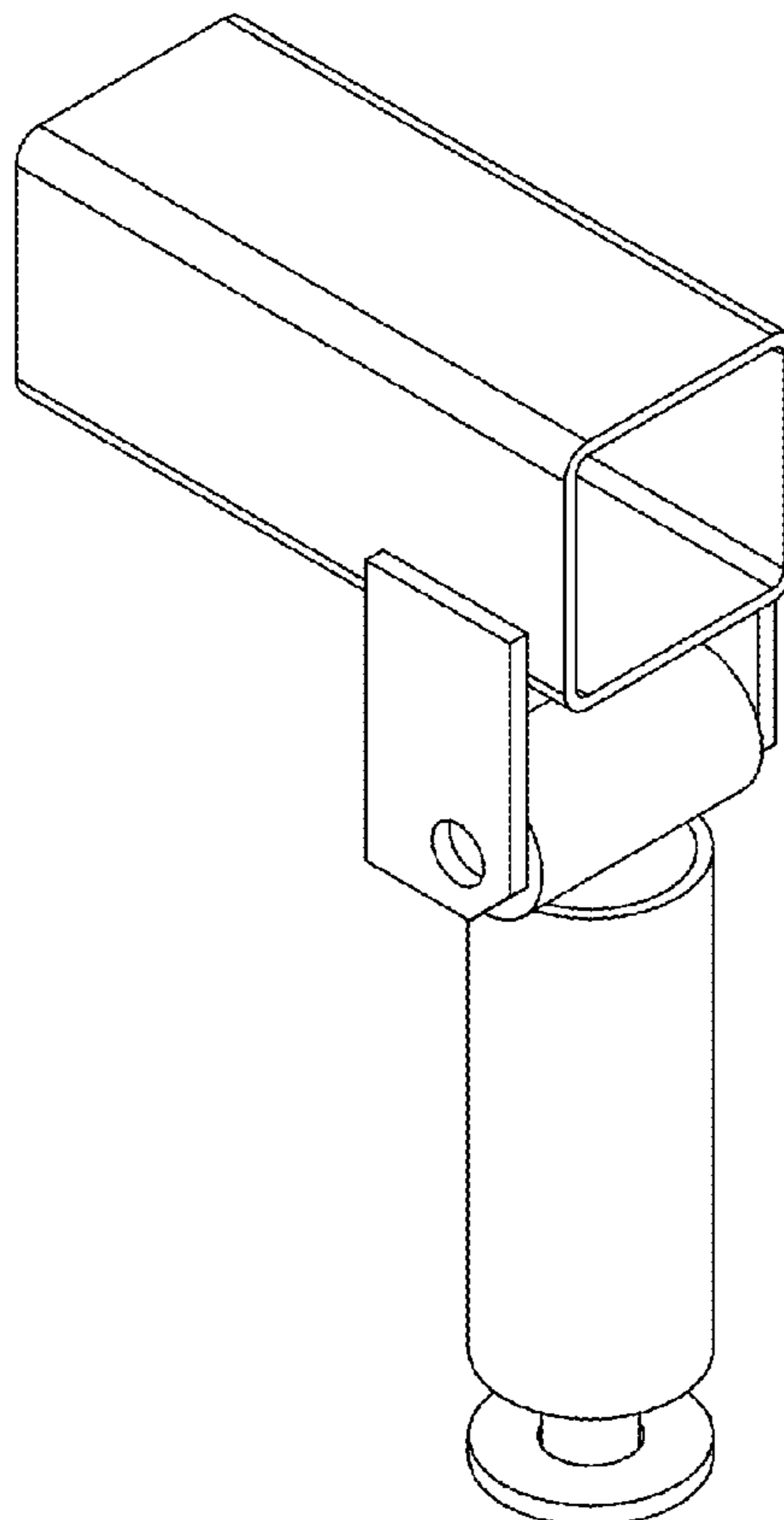
(57) **CLAIM**

The ornamental design for a swivel hinge for safety fence,
as shown and described.

DESCRIPTION

FIG. 1 is an upper left front perspective view of the swivel
hinge for safety fence in accordance with the design;
FIG. 2 is an upper right front perspective view of FIG. 1;
FIG. 3 is a front view of FIG. 1;
FIG. 4 is a back view of FIG. 1;
FIG. 5 is a top view of FIG. 1;
FIG. 6 is a bottom view of FIG. 1;
FIG. 7 is a left side view of FIG. 1; and,
FIG. 8 is a right side view of FIG. 1.
The broken lines depict an environment of use and form no
part of the claim.

1 Claim, 8 Drawing Sheets



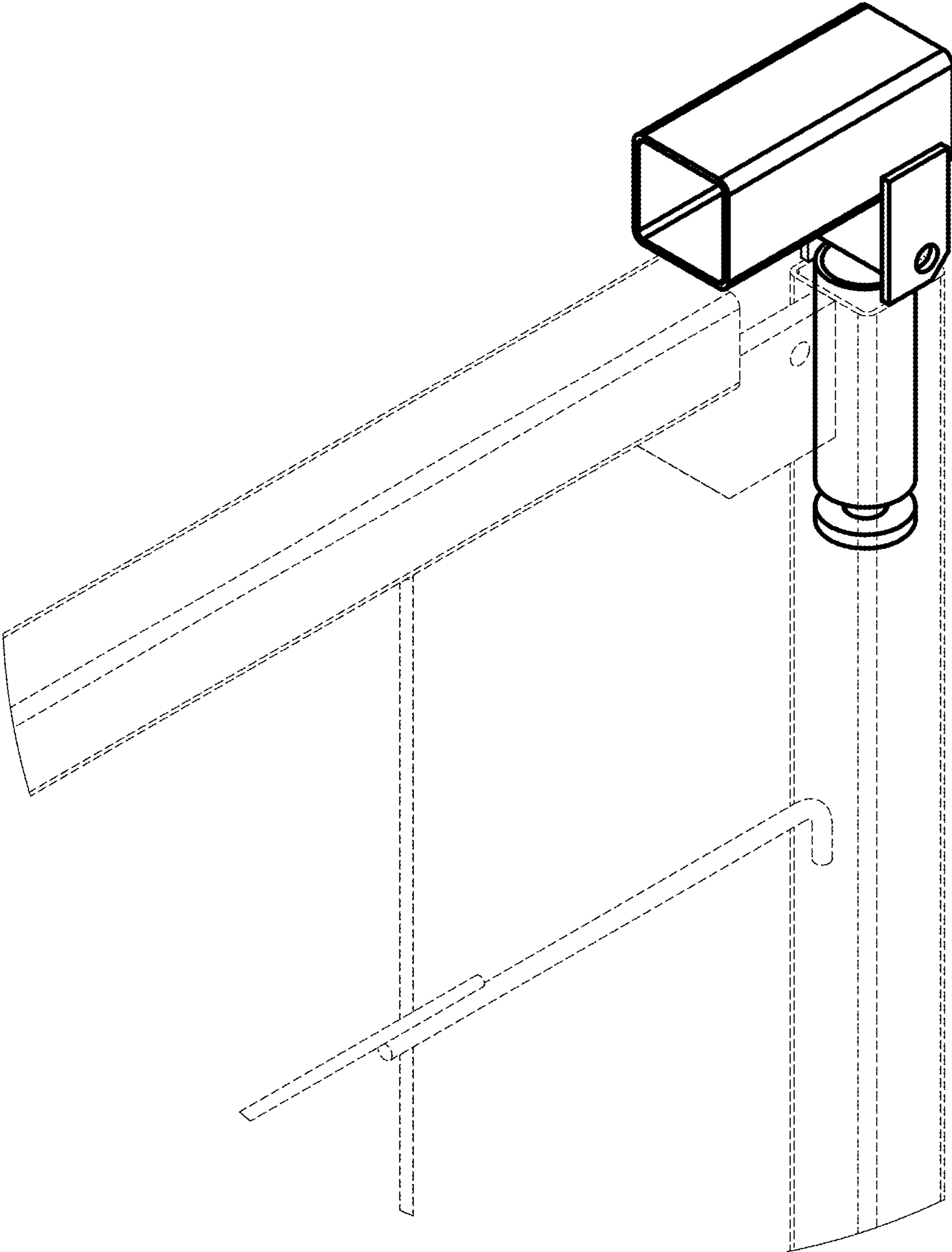


FIG.1

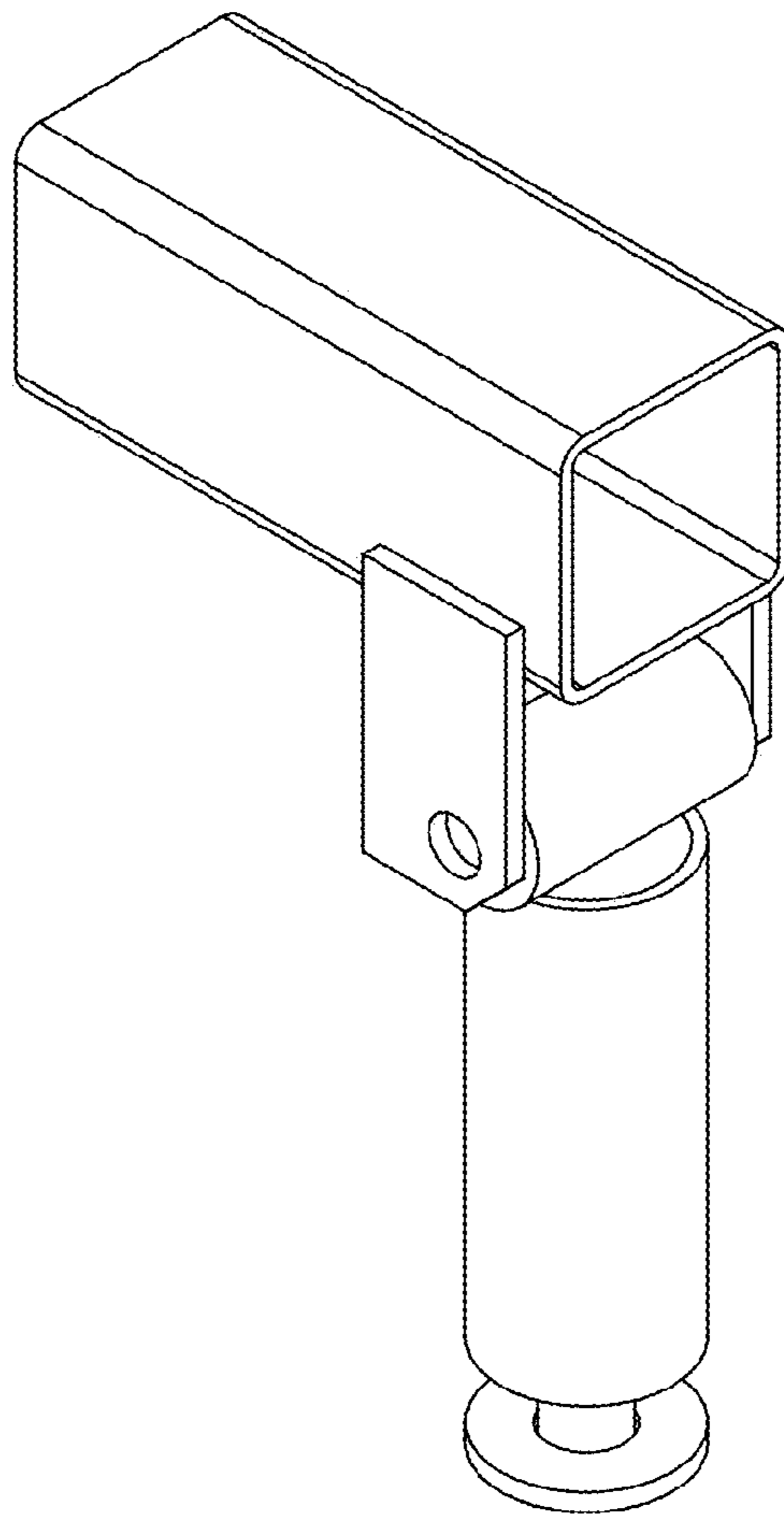


FIG. 2

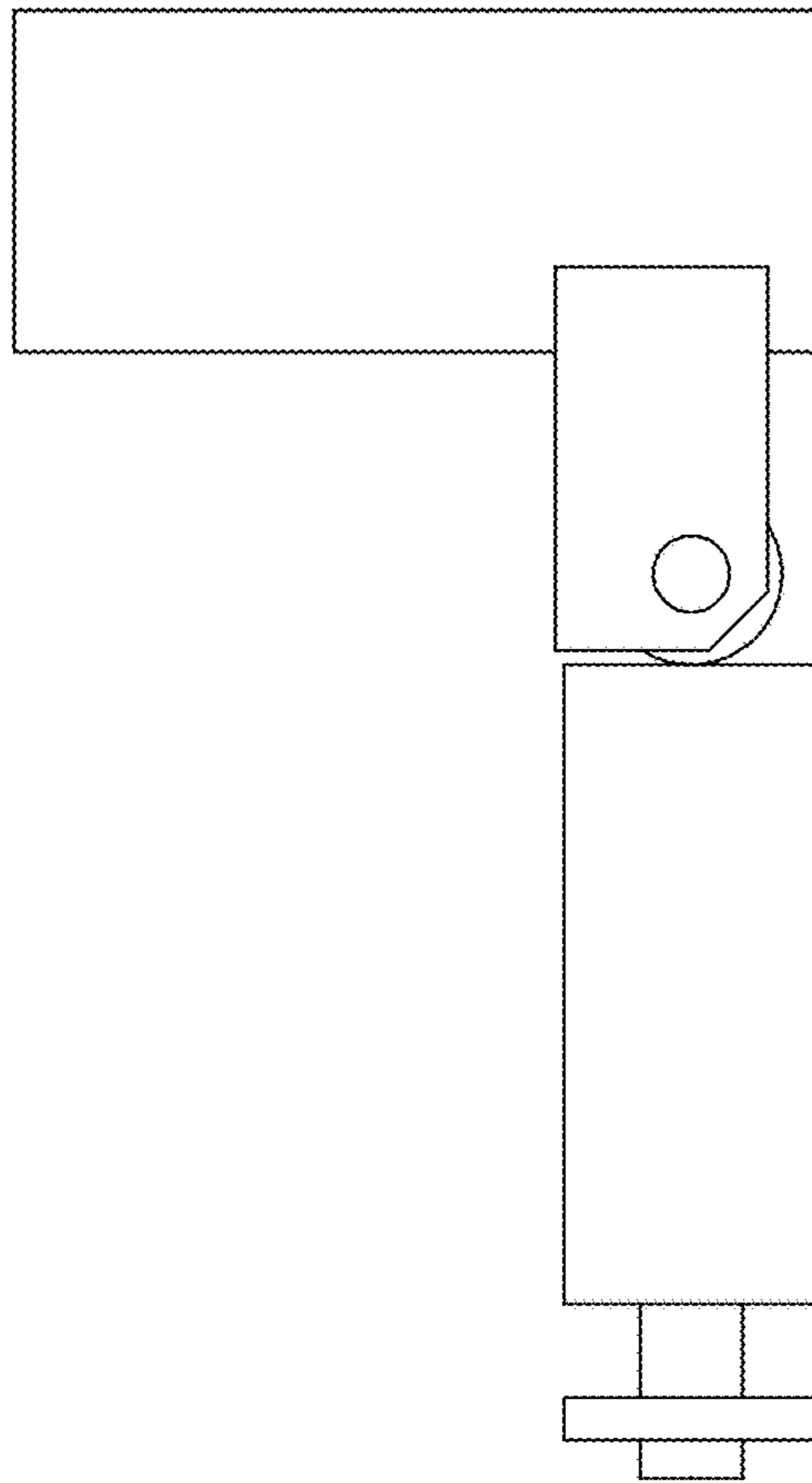


FIG. 3

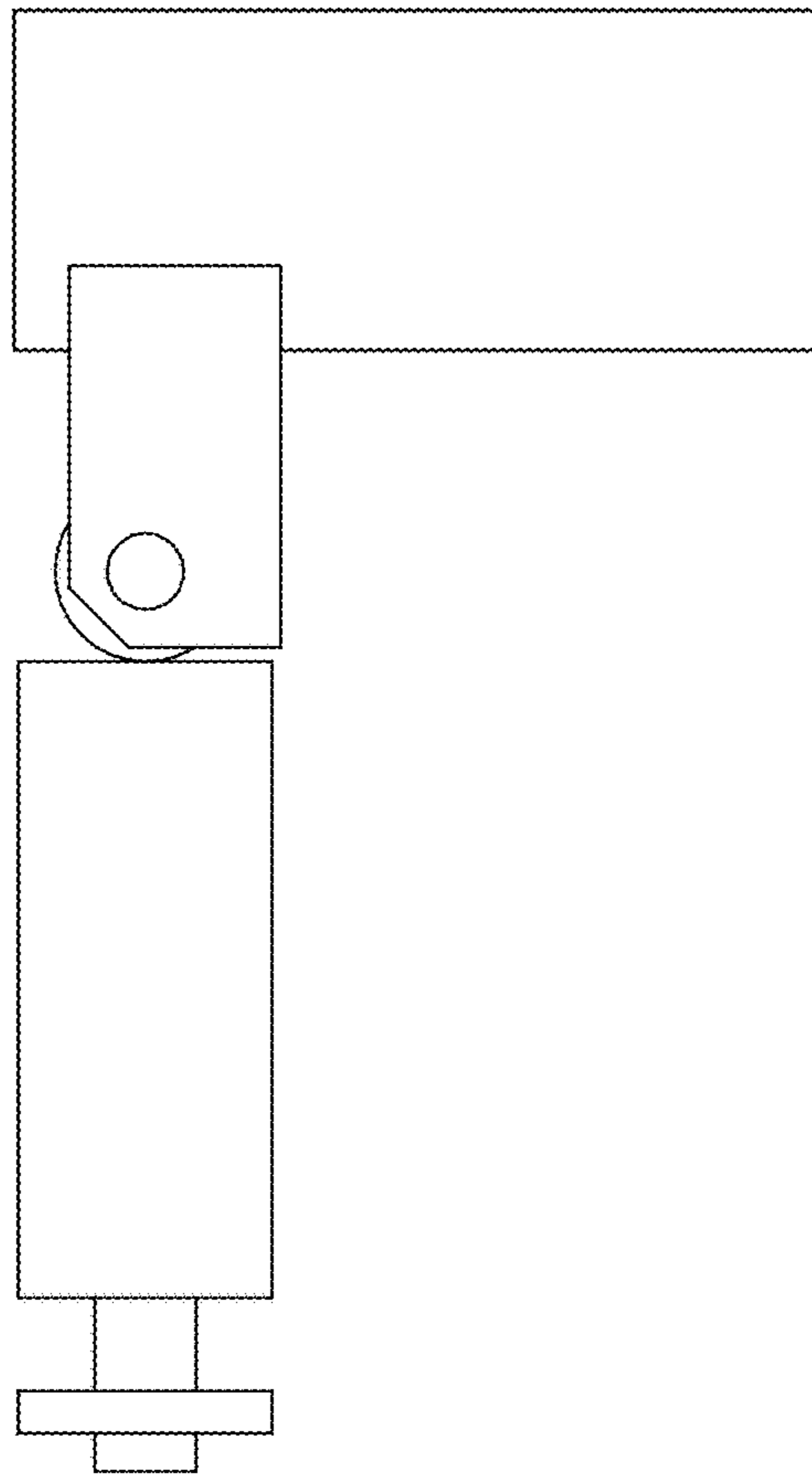


FIG. 4

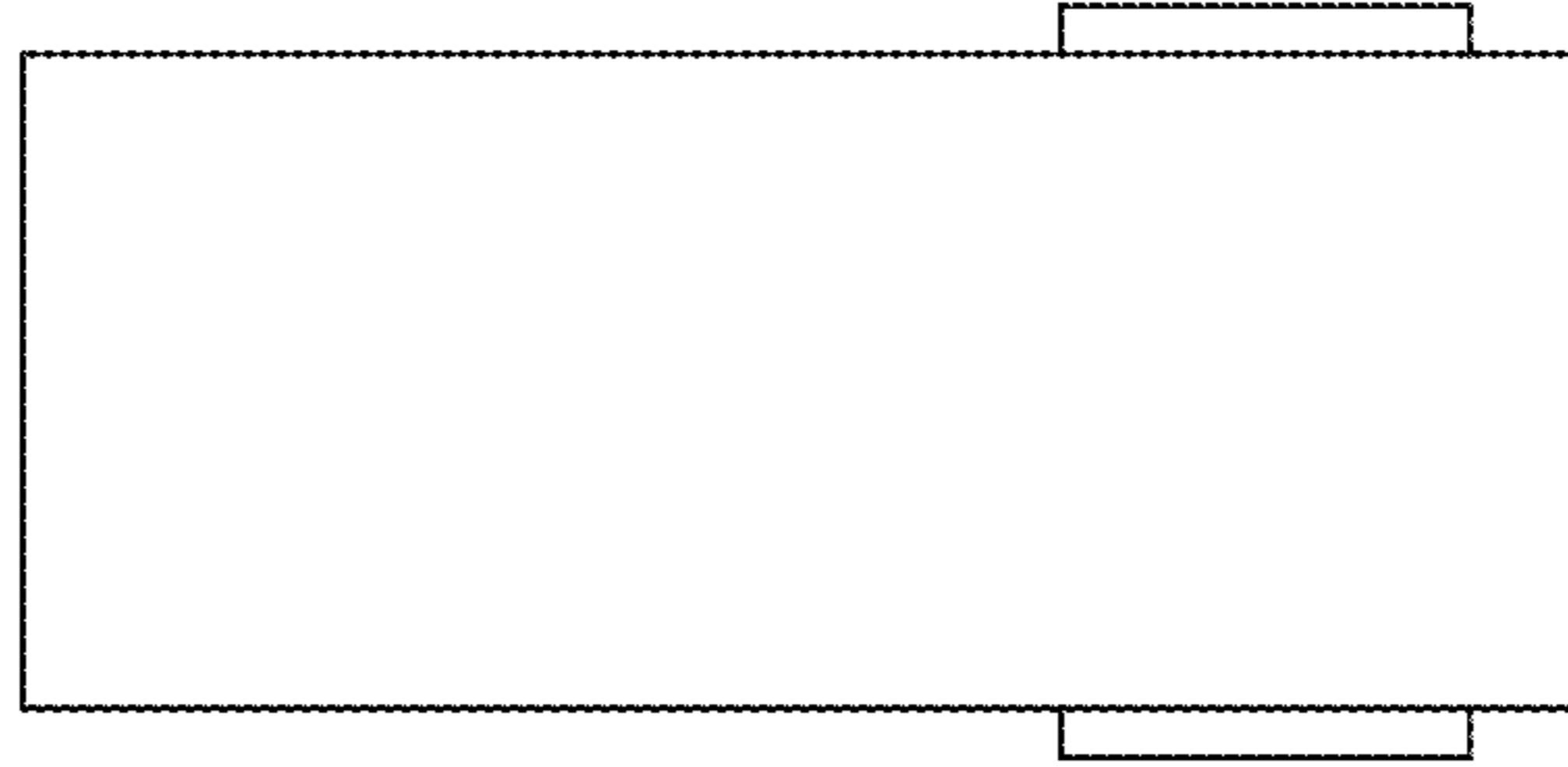


FIG. 5

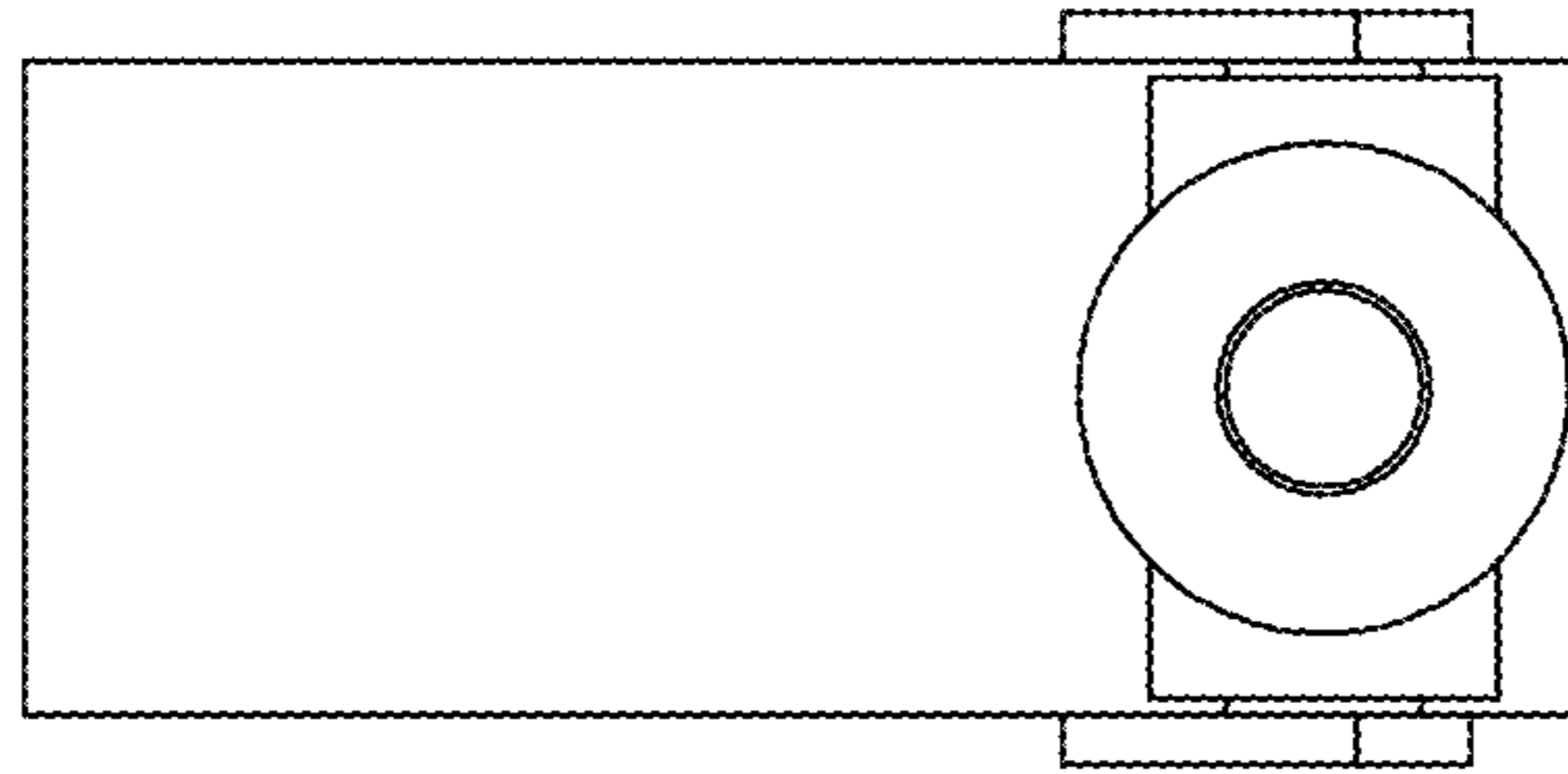


FIG. 6

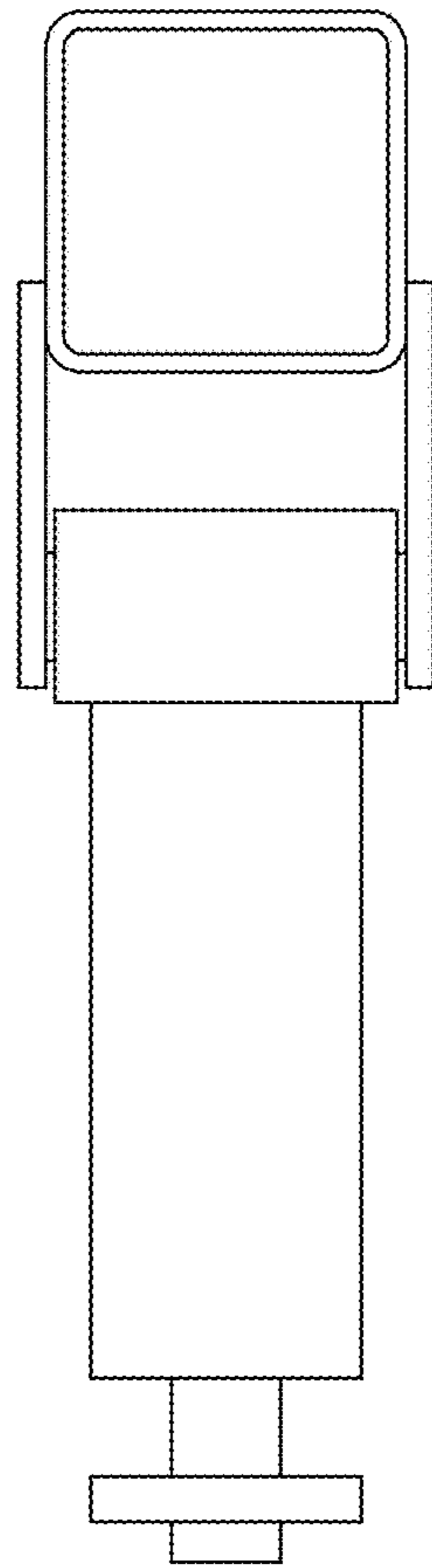


FIG. 7

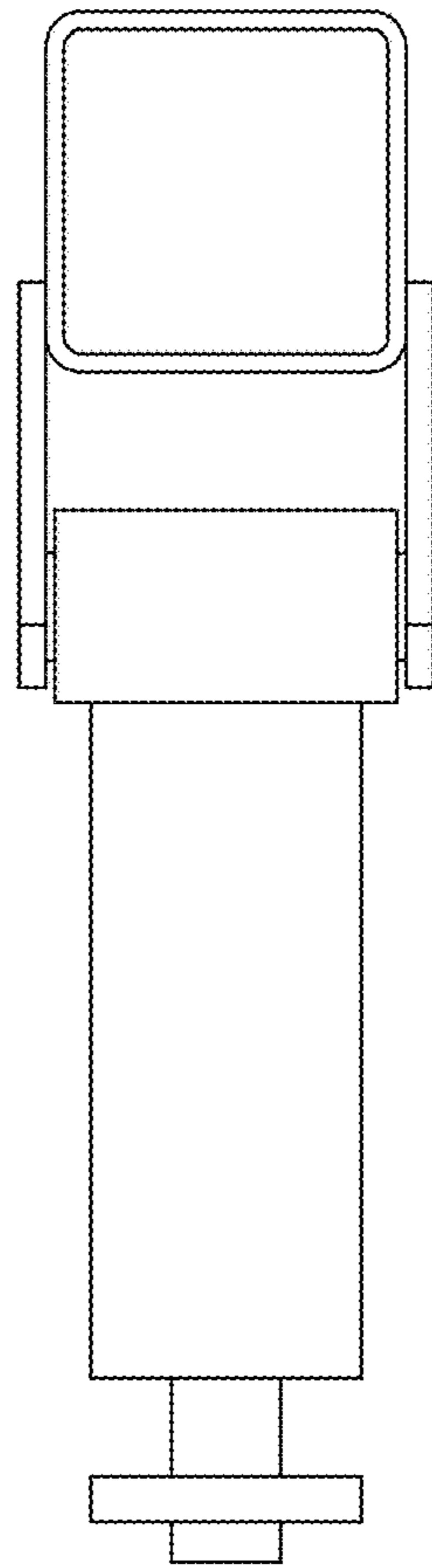


FIG. 8