



US00D926553S

(12) **United States Design Patent**
Buckley et al.

(10) **Patent No.:** **US D926,553 S**

(45) **Date of Patent:** **** Aug. 3, 2021**

(54) **GRIP FOR A TOOL HANDLE**

(71) Applicant: **Unger Marketing International, LLC**,
Bridgeport, CT (US)

(72) Inventors: **James M. Buckley**, New Hartford, CT
(US); **Stephen P. Huda**, Shelton, CT
(US)

(73) Assignee: **UNGER MARKETING
INTERNATIONAL, LLC**, Bridgeport,
CT (US)

(**) Term: **15 Years**

(21) Appl. No.: **29/676,238**

(22) Filed: **Jan. 9, 2019**

(51) **LOC (13) Cl.** **08-06**

(52) **U.S. Cl.**
USPC **D8/322**; D8/107; D8/303

(58) **Field of Classification Search**
USPC D8/14, 51, 82, 83, 95, 98, 107, 300, 303,
D8/322

CPC A47L 1/06; B25G 3/30; B25G 3/18; B25G
1/10; B25G 1/04

See application file for complete search history.

(56) **References Cited**

U.S. PATENT DOCUMENTS

D386,063 S *	11/1997	Badiali	D8/107
D551,530 S *	9/2007	Hirsch	D8/107
D633,363 S *	3/2011	Quinlan	D8/303
D634,087 S	3/2011	Sgroi et al.		
D637,895 S	5/2011	Quinlan		
8,051,538 B2 *	11/2011	Hsieh	B25G 1/105 16/436
D658,466 S *	5/2012	Phill	D8/107
D720,594 S	1/2015	Henderson		
D723,349 S	3/2015	Henderson		
8,991,012 B1	3/2015	Hilbrant et al.		
D727,710 S	4/2015	Henderson		

D754,517 S	4/2016	Henderson		
D772,580 S	11/2016	Harrington		
D775,909 S	1/2017	Harrington et al.		
D830,065 S	10/2018	Harrington		
D840,209 S	2/2019	Harrington et al.		
D850,883 S *	6/2019	Buckley	D8/107
D858,247 S *	9/2019	Papafagos	D8/303

(Continued)

Primary Examiner — Janice Hallmark

Assistant Examiner — Harold E Blackwell, II

(74) *Attorney, Agent, or Firm* — Cantor Colburn LLP

(57) **CLAIM**

We claim, the ornamental design for a grip for a tool handle,
as shown and described.

DESCRIPTION

FIG. 1 is a front top perspective view of a first embodiment
of the design;

FIG. 2 is a front bottom perspective view of the design of
FIG. 1;

FIG. 3 is a front of the design of FIG. 1, the rear view being
a mirror image thereof;

FIG. 4 is a first side view of the design of FIG. 1, the second
side view being a mirror image thereof;

FIG. 5 is a top view of the design of FIG. 1;

FIG. 6 is a bottom view of the design of FIG. 1;

FIG. 7 is a front top perspective view of a second embodi-
ment of the design;

FIG. 8 is a front bottom perspective view of the design of
FIG. 7;

FIG. 9 is a front of the design of FIG. 7, the rear view being
a mirror image thereof;

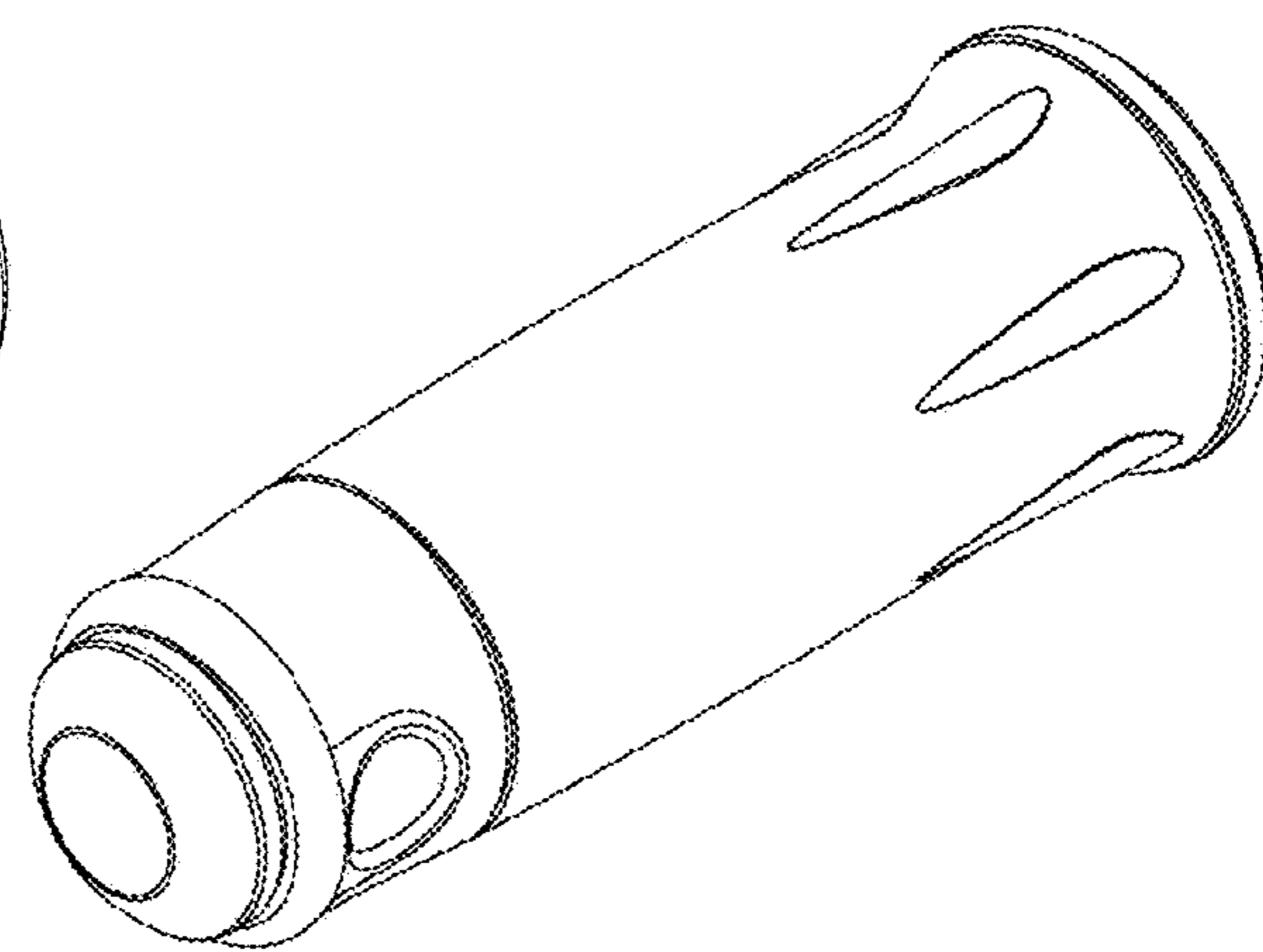
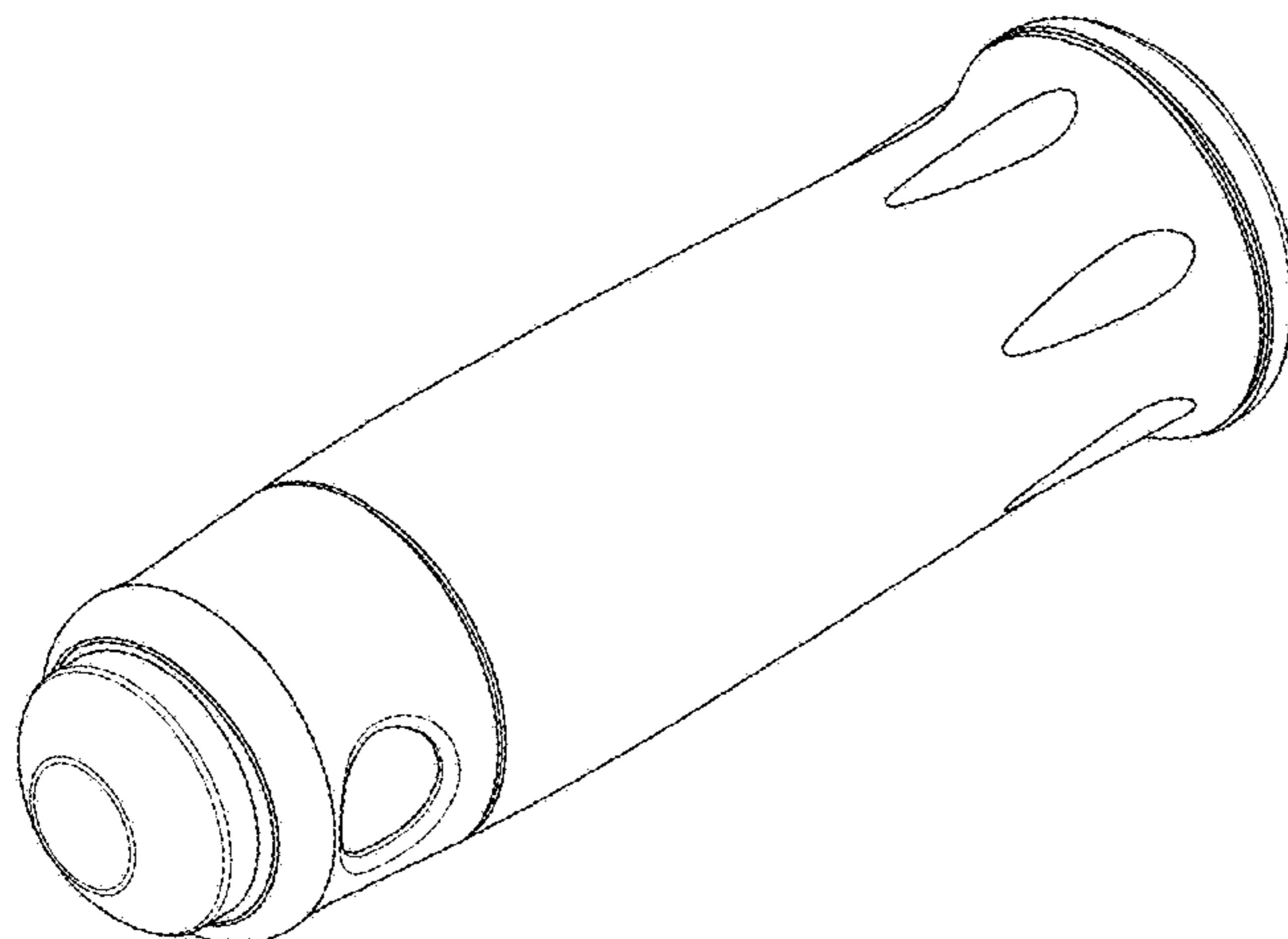
FIG. 10 is a first side view of the design of FIG. 7, the second
side view being a mirror image thereof;

FIG. 11 is a top view of the design of FIG. 7; and,

FIG. 12 is a bottom view of the design of FIG. 7.

The broken lines in the drawings depict parts of the grip for
a tool handle that form no part of the claimed design.

1 Claim, 6 Drawing Sheets



(56)

References Cited

U.S. PATENT DOCUMENTS

D863,021 S * 10/2019 Papafagos D8/303
D863,022 S * 10/2019 Papafagos D8/303
D864,694 S * 10/2019 Harrington D8/303
10,441,120 B1 * 10/2019 Sgroi, Jr. B25G 1/04
D866,899 S * 11/2019 Harrington D32/52
D867,100 S * 11/2019 Papafagos D8/303
D897,184 S * 9/2020 Perkins, Jr. D8/303
D897,185 S * 9/2020 Perkins, Jr. D8/303
D897,186 S * 9/2020 Perkins, Jr. D8/303
2019/0001480 A1 1/2019 Harrington et al.
2020/0276695 A1 * 9/2020 Buckley B25G 1/10

* cited by examiner

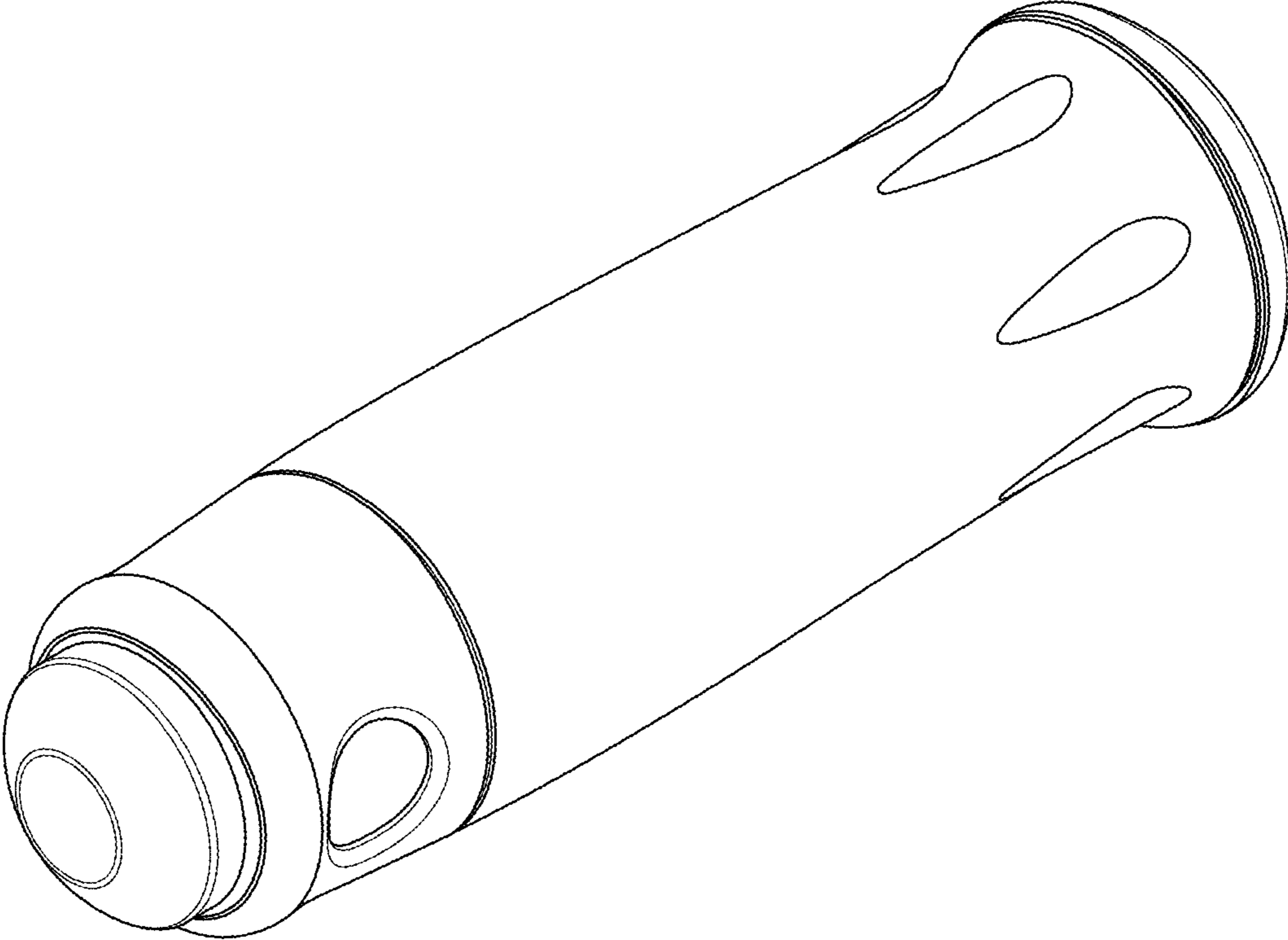


FIG. 1

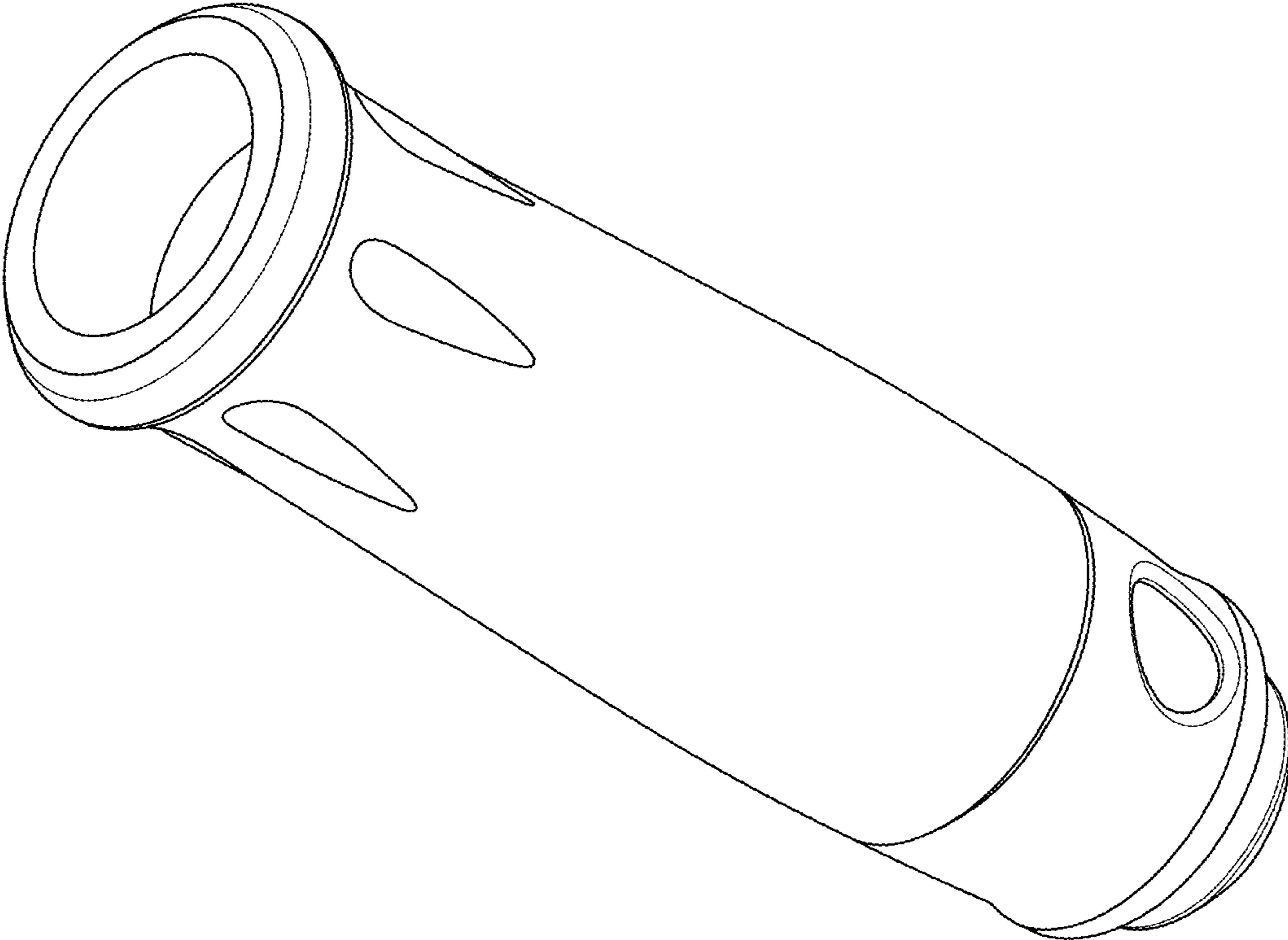


FIG. 2

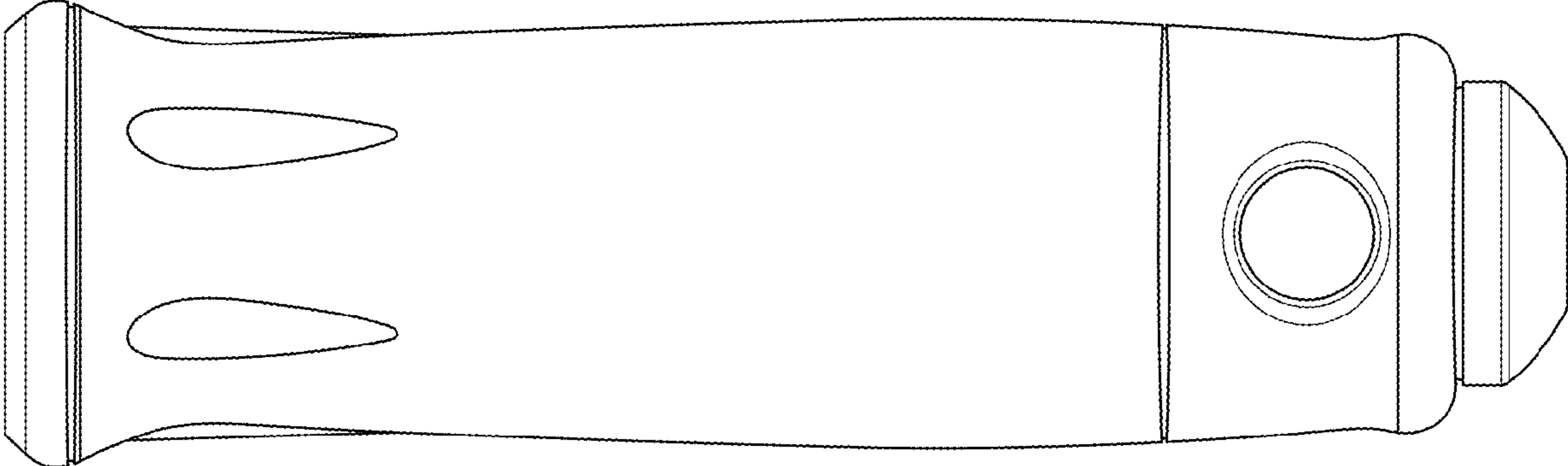


FIG. 3

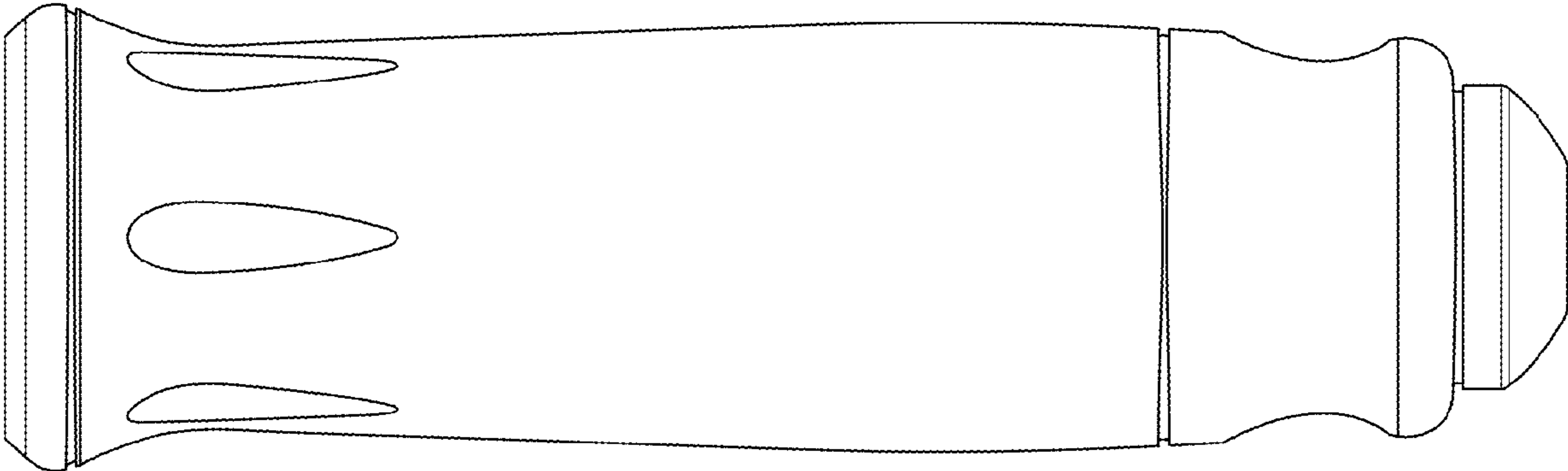


FIG. 4

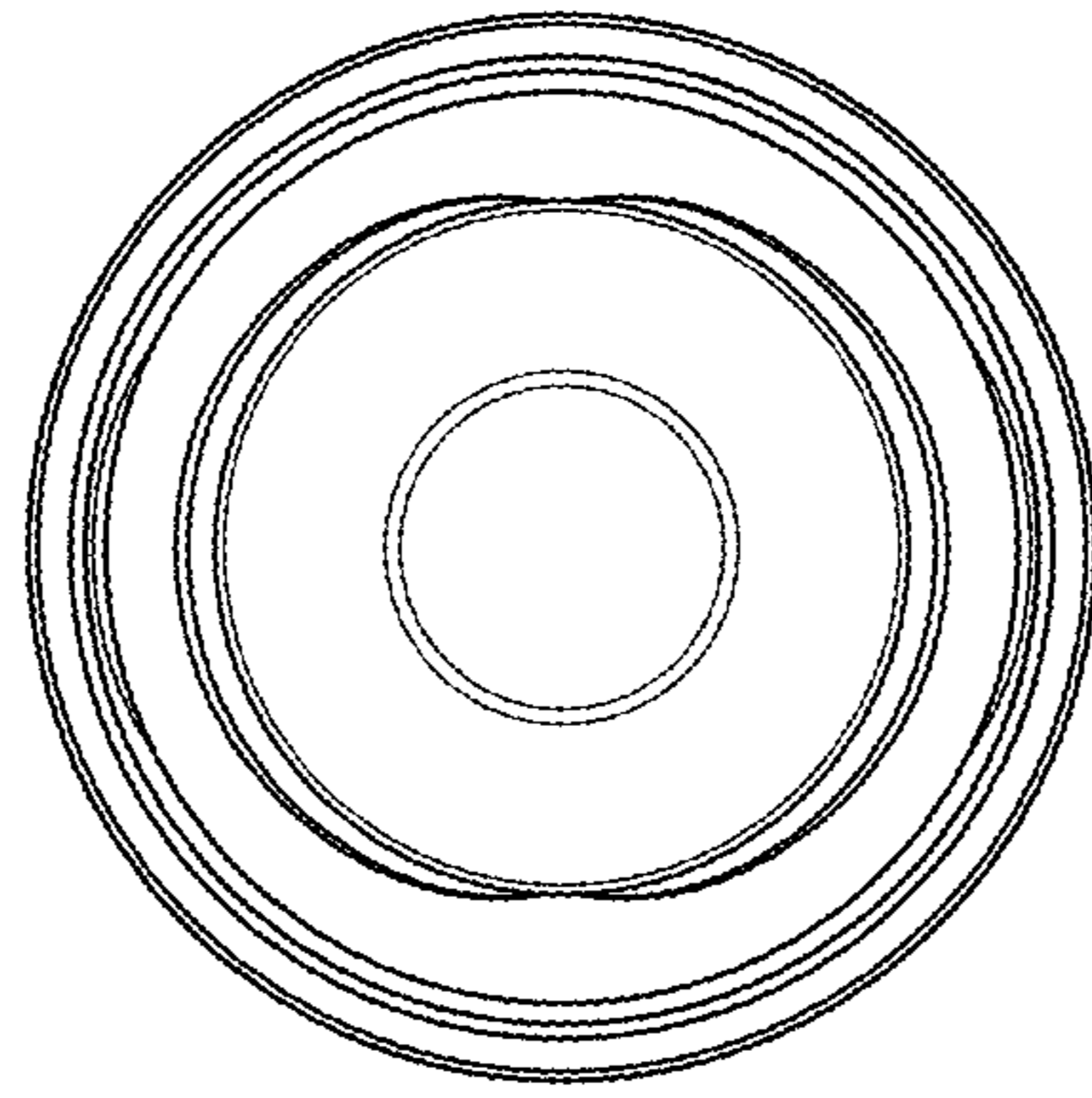


FIG. 5

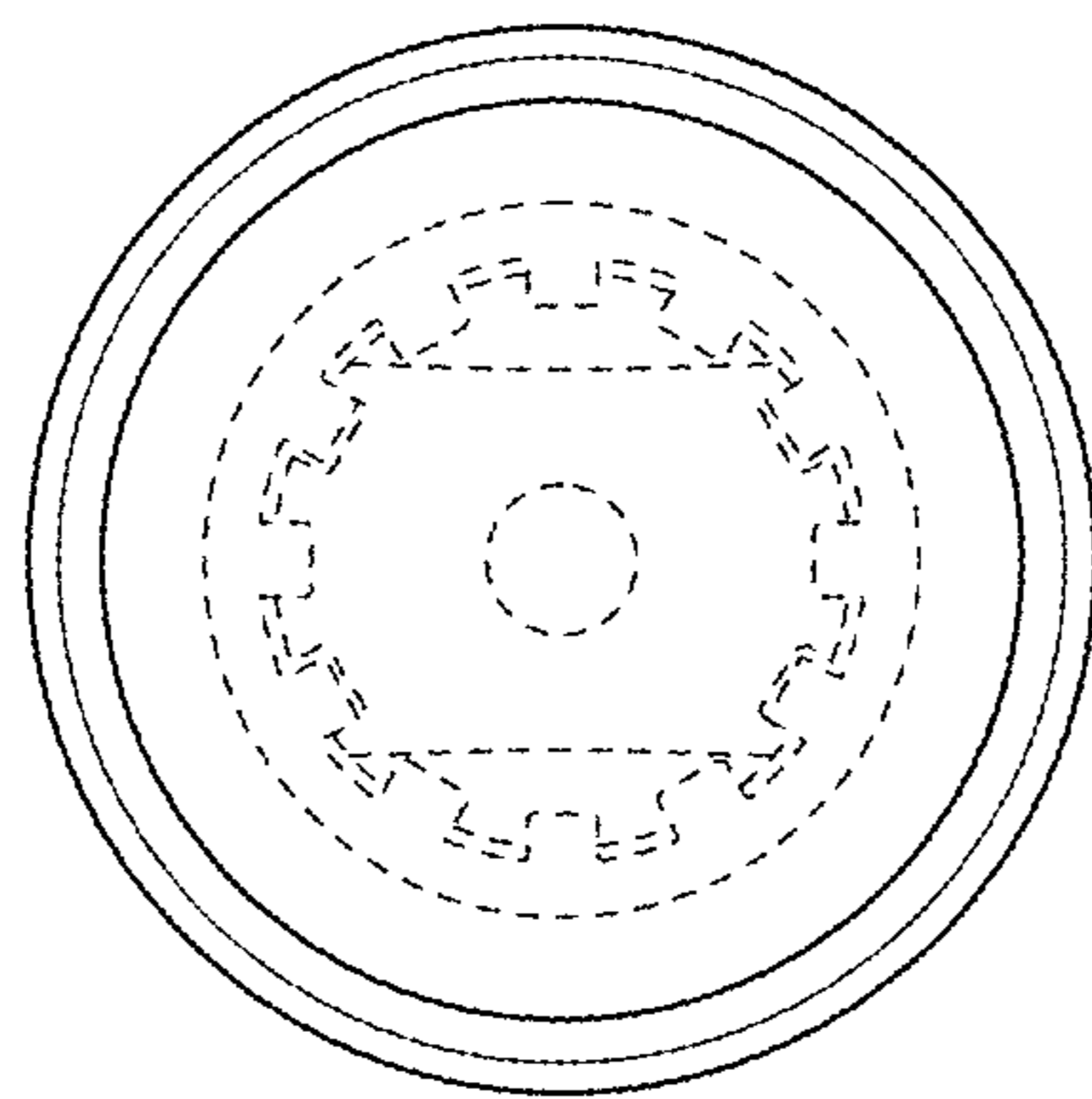


FIG. 6

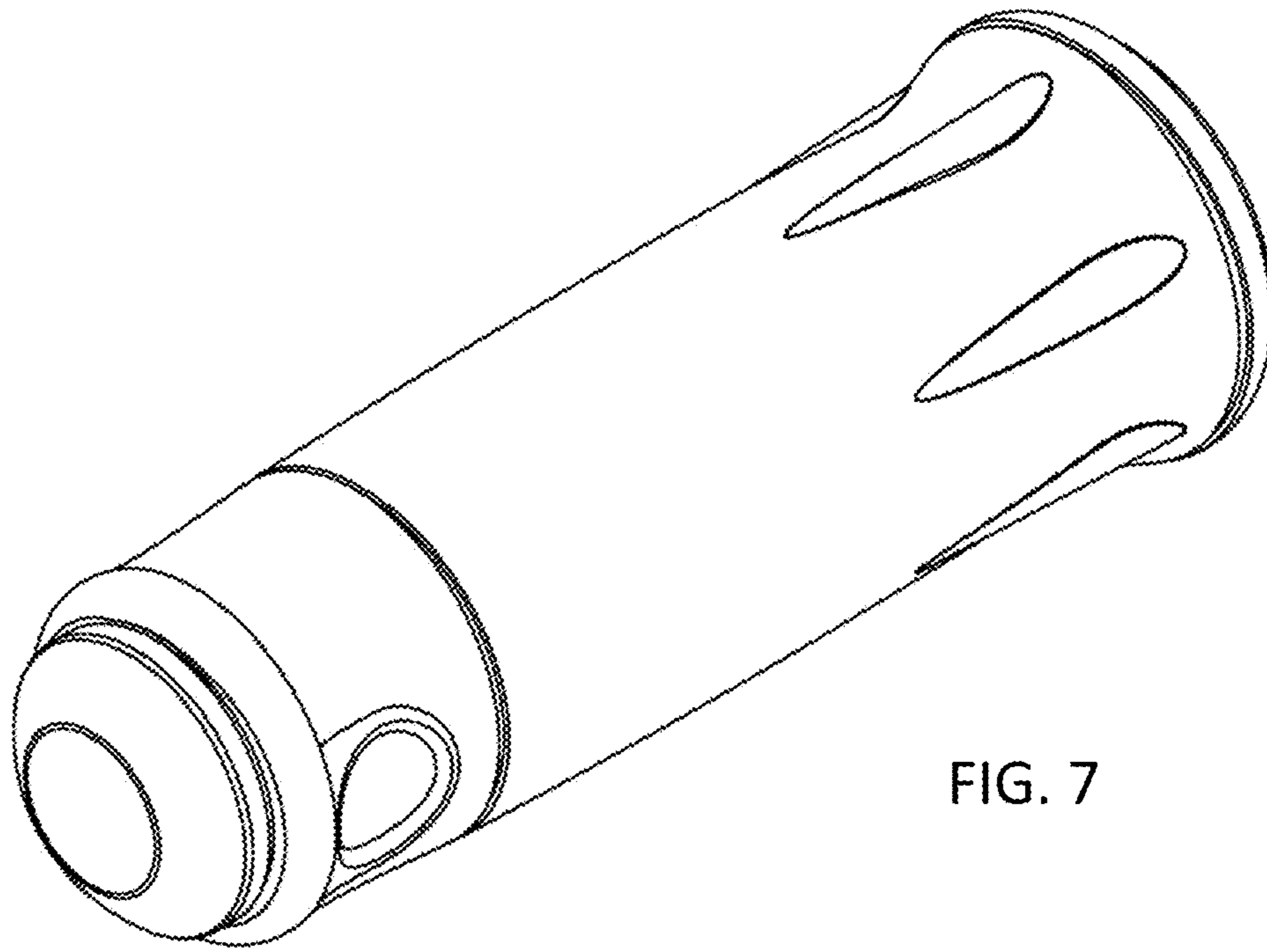


FIG. 7

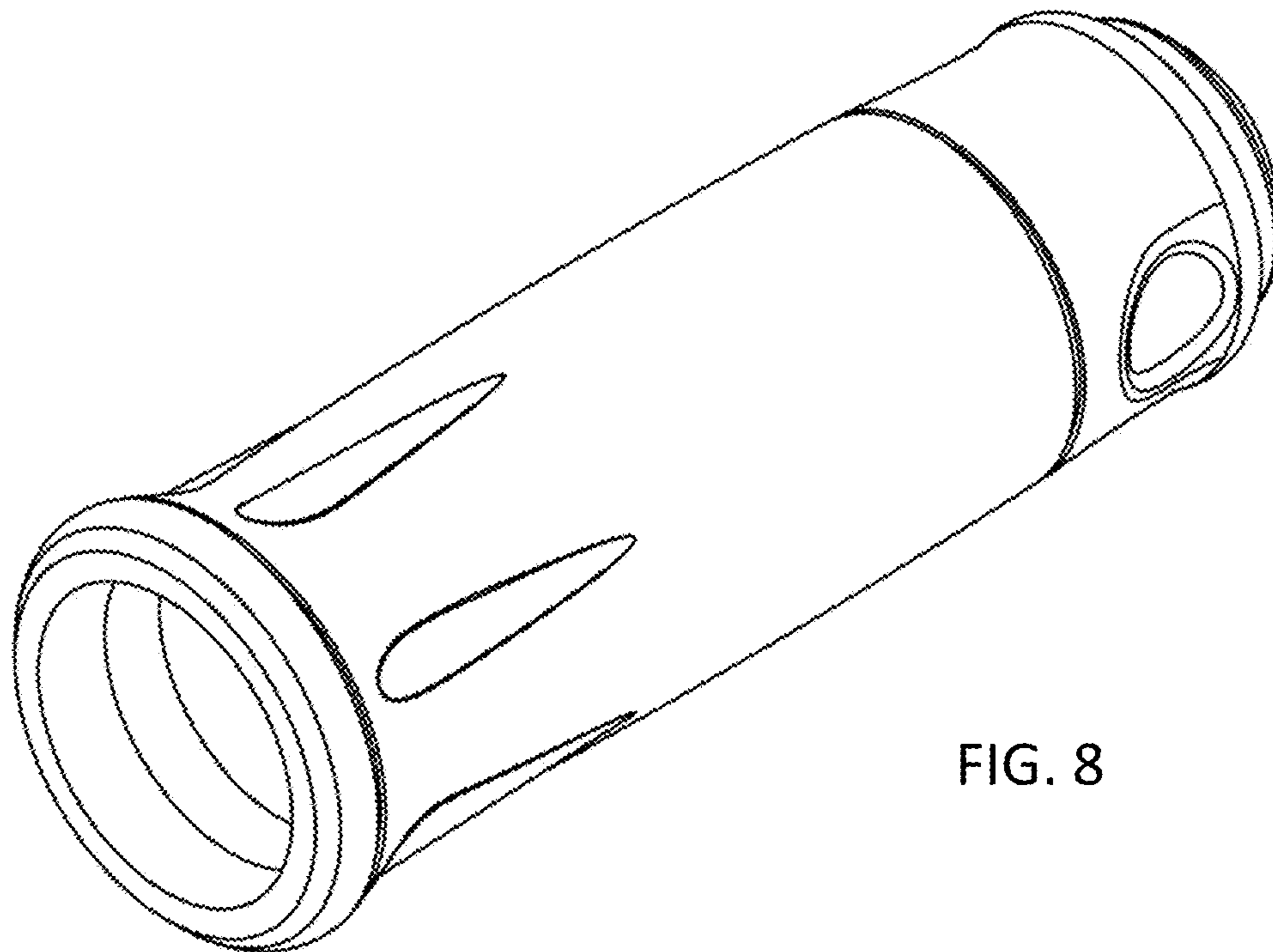


FIG. 8

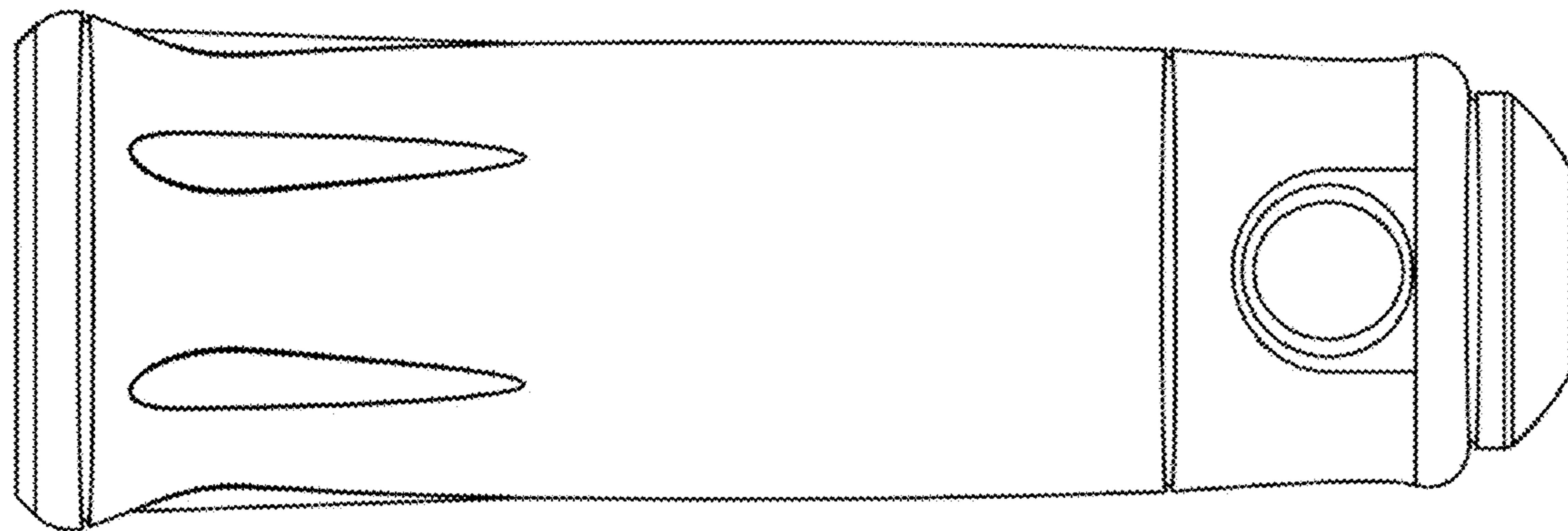


FIG. 9

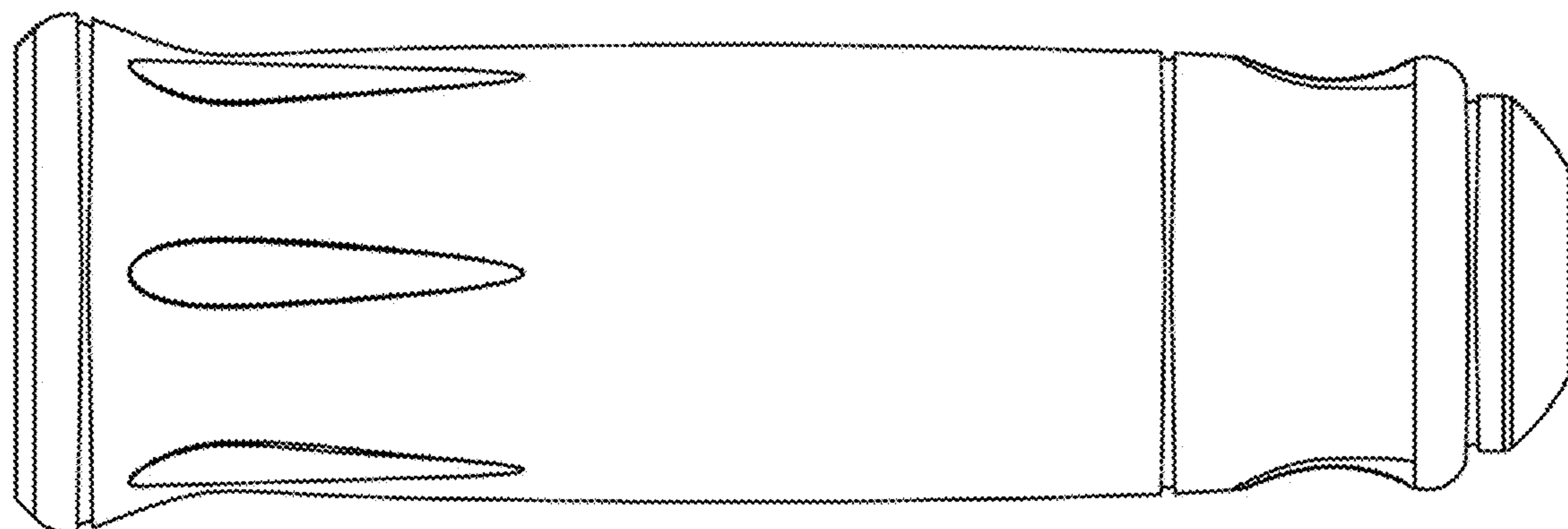


FIG. 10

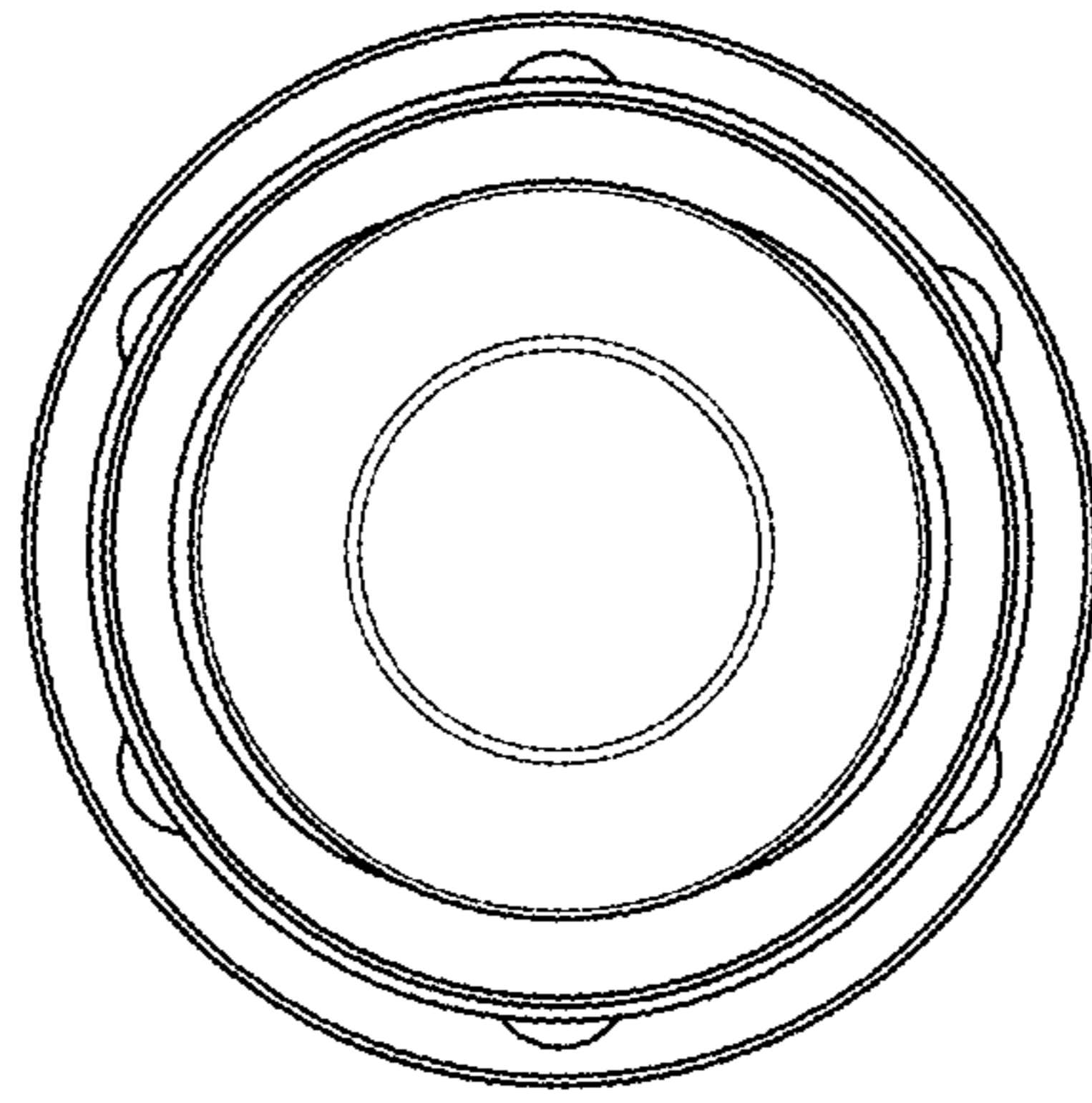


FIG. 11

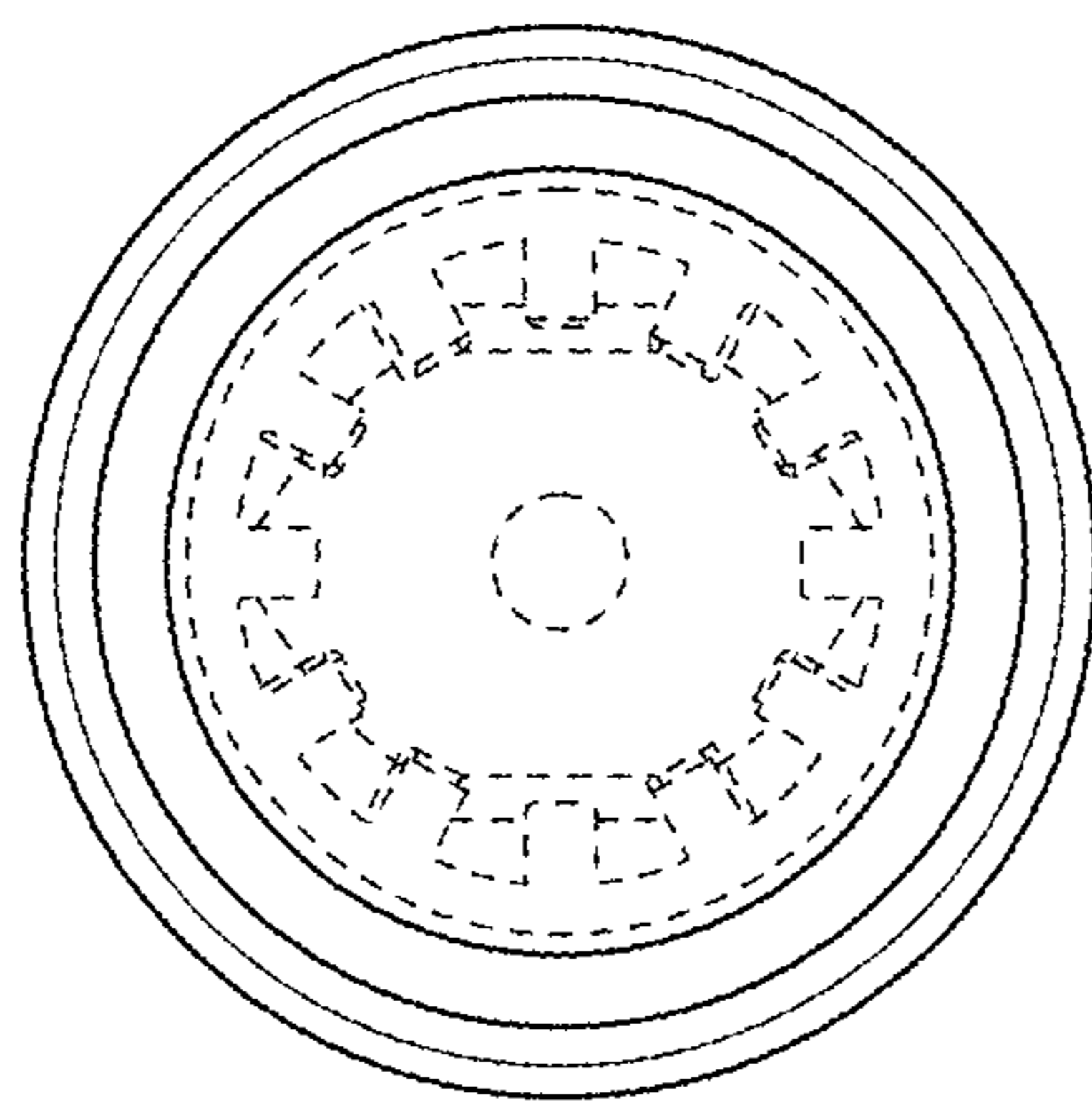


FIG. 12