



US00D926552S

(12) **United States Design Patent** (10) **Patent No.:** **US D926,552 S**
Peng (45) **Date of Patent:** **** Aug. 3, 2021**

(54) **FOLDING KNIFE**

(71) Applicant: **JIANGMEN CITY XINHUI JUNHAO TECHNOLOGY CO., LTD., Jiangmen (CN)**

(72) Inventor: **Xiongwei Peng, Jiangmen (CN)**

(**) Term: **15 Years**

(21) Appl. No.: **29/769,641**

(22) Filed: **Feb. 7, 2021**

(51) **LOC (13) Cl.** **08-03**

(52) **U.S. Cl.**
USPC **D8/99**

(58) **Field of Classification Search**
USPC D8/98, 99, 100, 105; D22/118
CPC B26B 1/00; B26B 1/02; B26B 1/04; B26B 5/00; B26B 5/006; B26B 1/10; B26B 1/046

See application file for complete search history.

(56) **References Cited**

U.S. PATENT DOCUMENTS

D433,914 S *	11/2000	Chu	D8/99
D737,110 S *	8/2015	Schuft	D8/99
D756,192 S	5/2016	Horvath		
D756,193 S	5/2016	Horvath		
D768,454 S *	10/2016	Xin	D8/99
D768,456 S *	10/2016	Cheng	D8/99
D768,457 S *	10/2016	Yuhuan	D8/99
D768,458 S *	10/2016	Mingyi	D8/99
D768,459 S *	10/2016	Yuhuan	D8/99
D772,676 S *	11/2016	Qiuliang	D8/99
D808,494 S *	1/2018	Marfione	D22/118
D811,191 S *	2/2018	Berenji	D8/99

D889,236 S	7/2020	Karacostas et al.		
D898,541 S *	10/2020	Chumchal	D8/99
2006/0230620 A1 *	10/2006	Steigerwalt	B26B 1/02 30/159
2009/0277015 A1 *	11/2009	Duey	B26B 1/046 30/160
2010/0325897 A1 *	12/2010	Chu	B26B 1/046 30/161
2012/0234142 A1 *	9/2012	Onion	B25G 3/38 81/489
2012/0304470 A1 *	12/2012	Freeman	B26B 1/046 30/159
2013/0047439 A1 *	2/2013	Hawk	B26B 1/04 30/160

* cited by examiner

Primary Examiner — Philip S Hyder

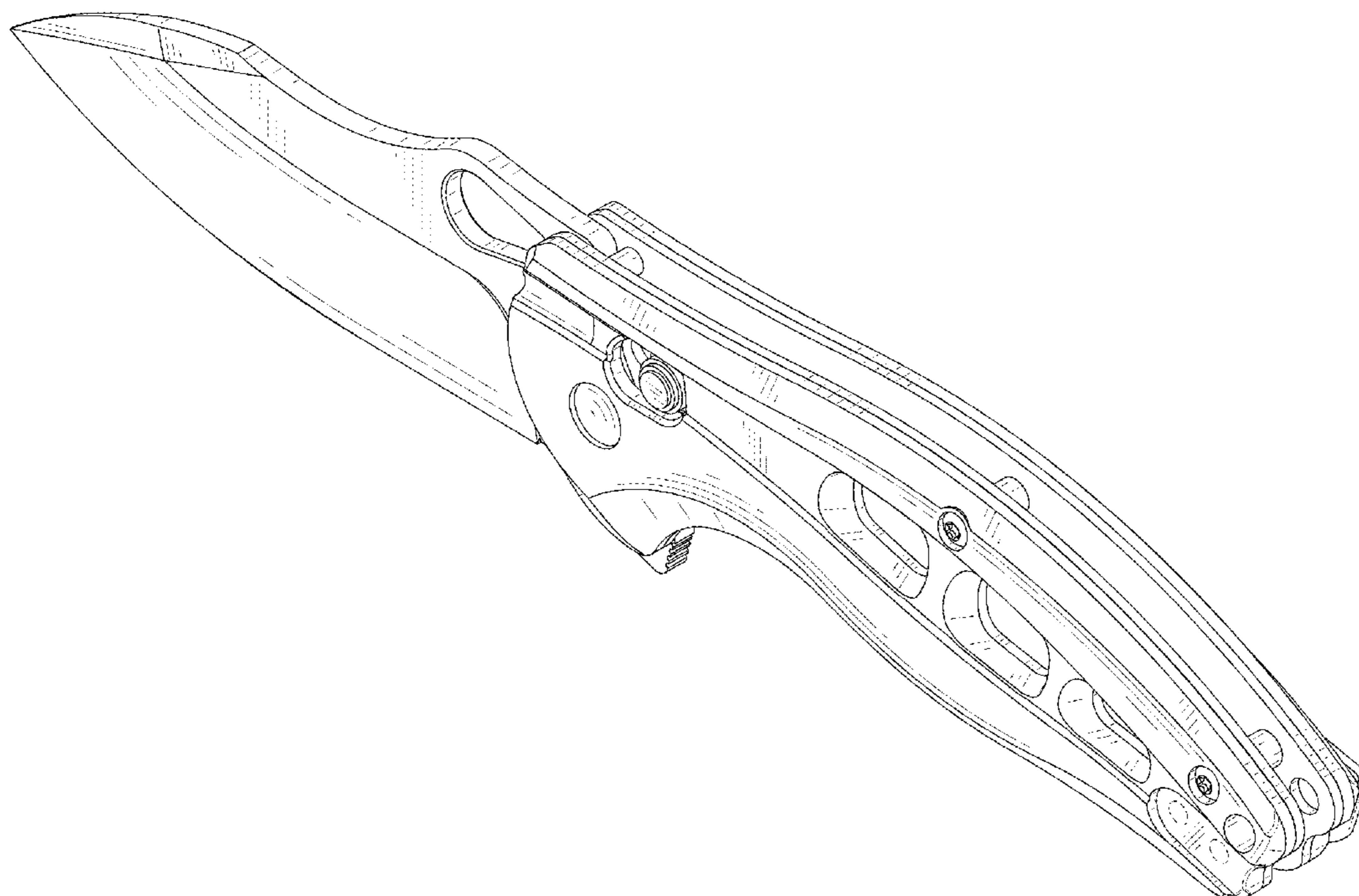
(57) **CLAIM**

The ornamental design for a folding knife, as shown and described.

DESCRIPTION

FIG. 1 is a first perspective view of a folding knife showing my new design;
FIG. 2 is a second perspective view thereof;
FIG. 3 is a front view thereof;
FIG. 4 is a back view thereof;
FIG. 5 is a left side view thereof;
FIG. 6 is a right side view thereof;
FIG. 7 is a top view thereof; and,
FIG. 8 is a bottom view thereof.
The broken lines shown in the drawings depict portions of the folding knife in which the design is embodied that form no part of the claimed design.

1 Claim, 8 Drawing Sheets



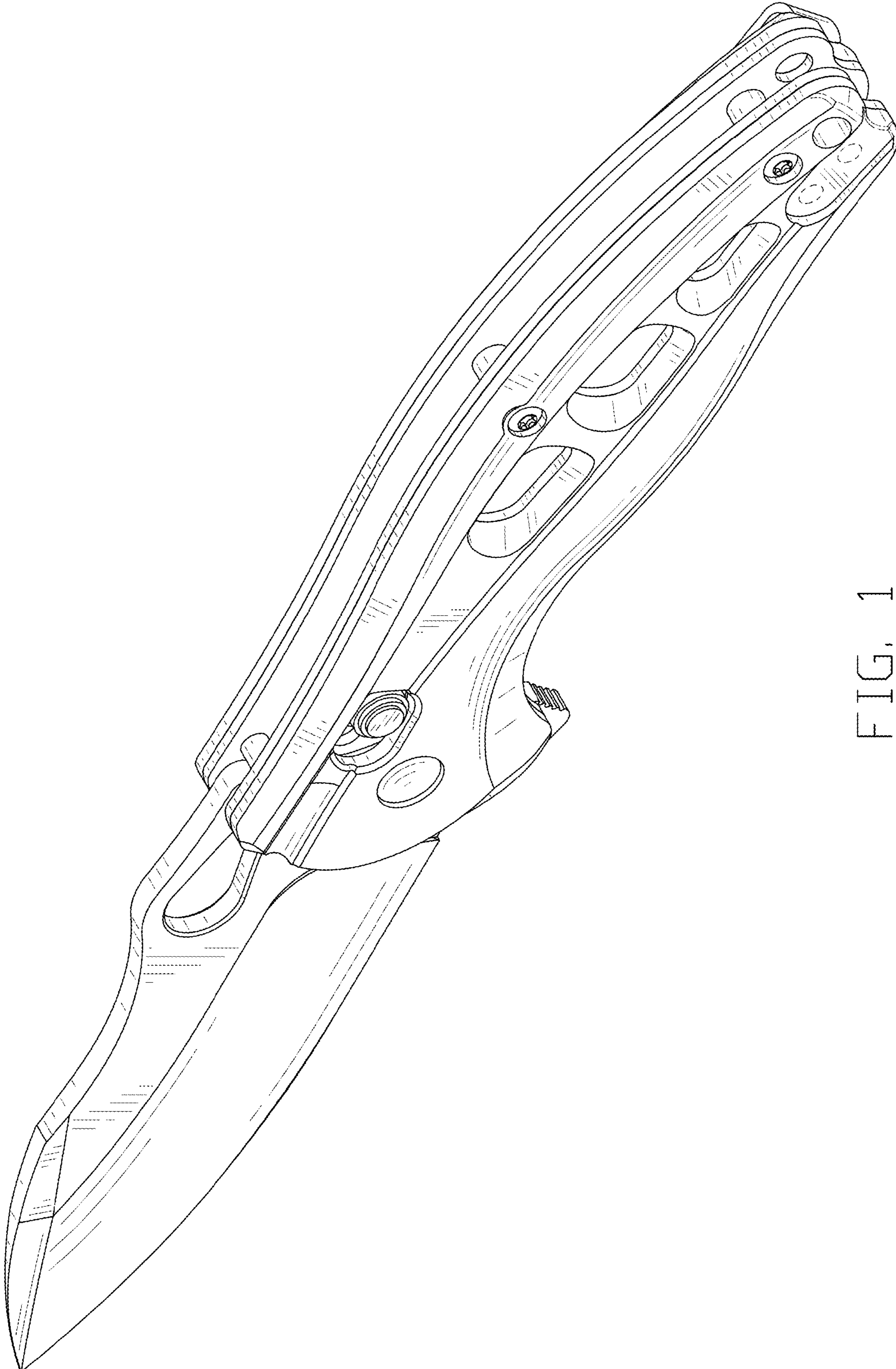


FIG. 1

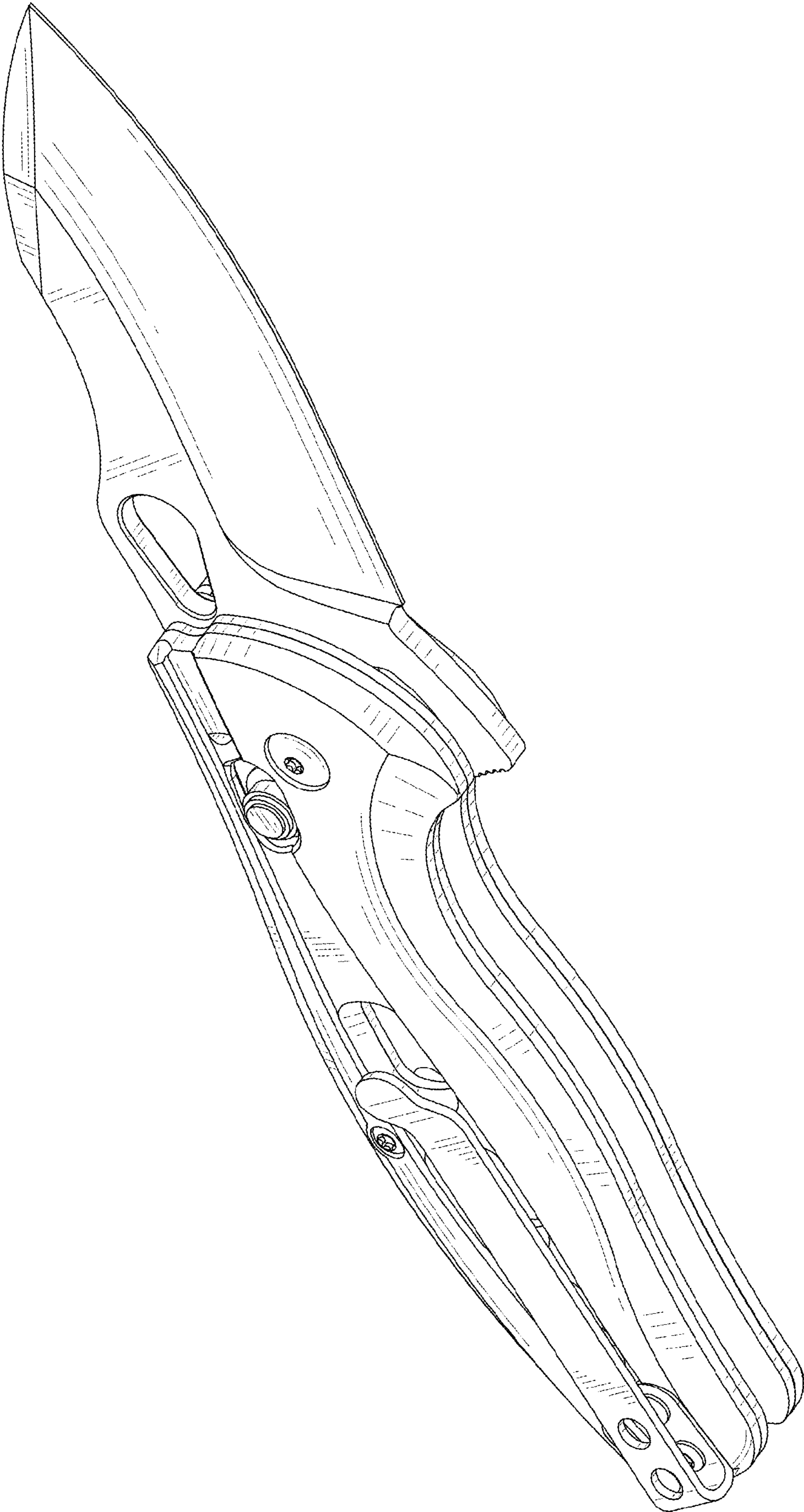


FIG. 2

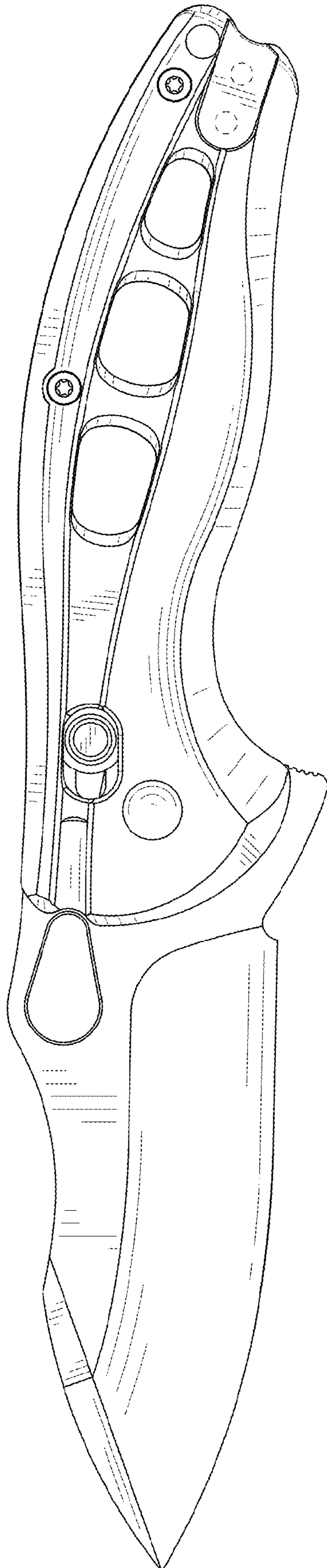


FIG. 3

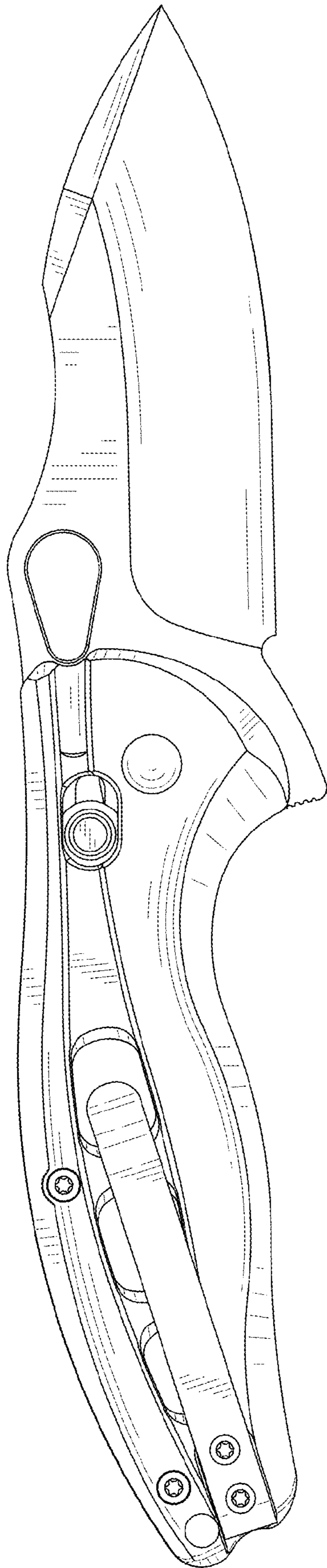


FIG. 4

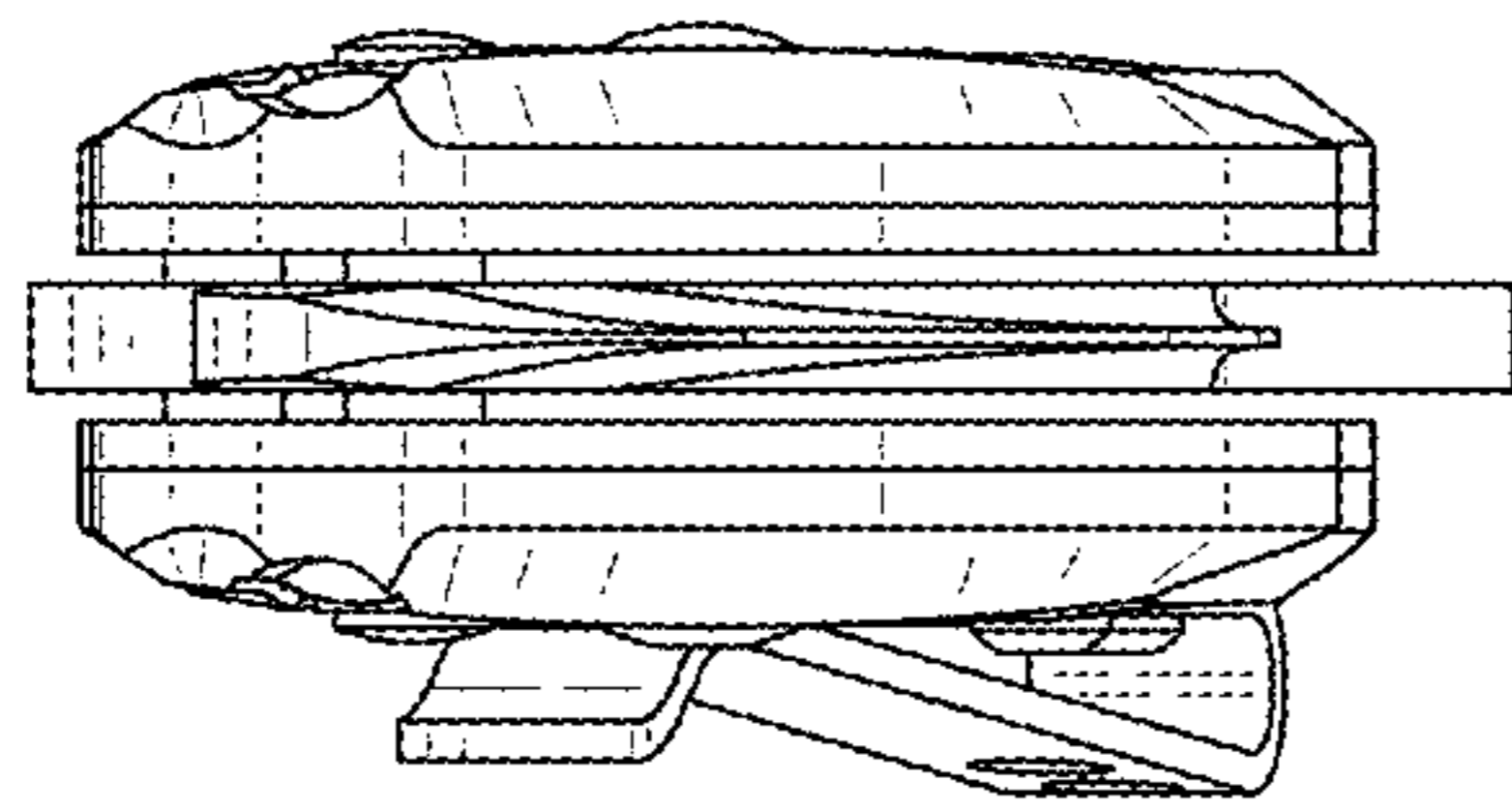


FIG. 5

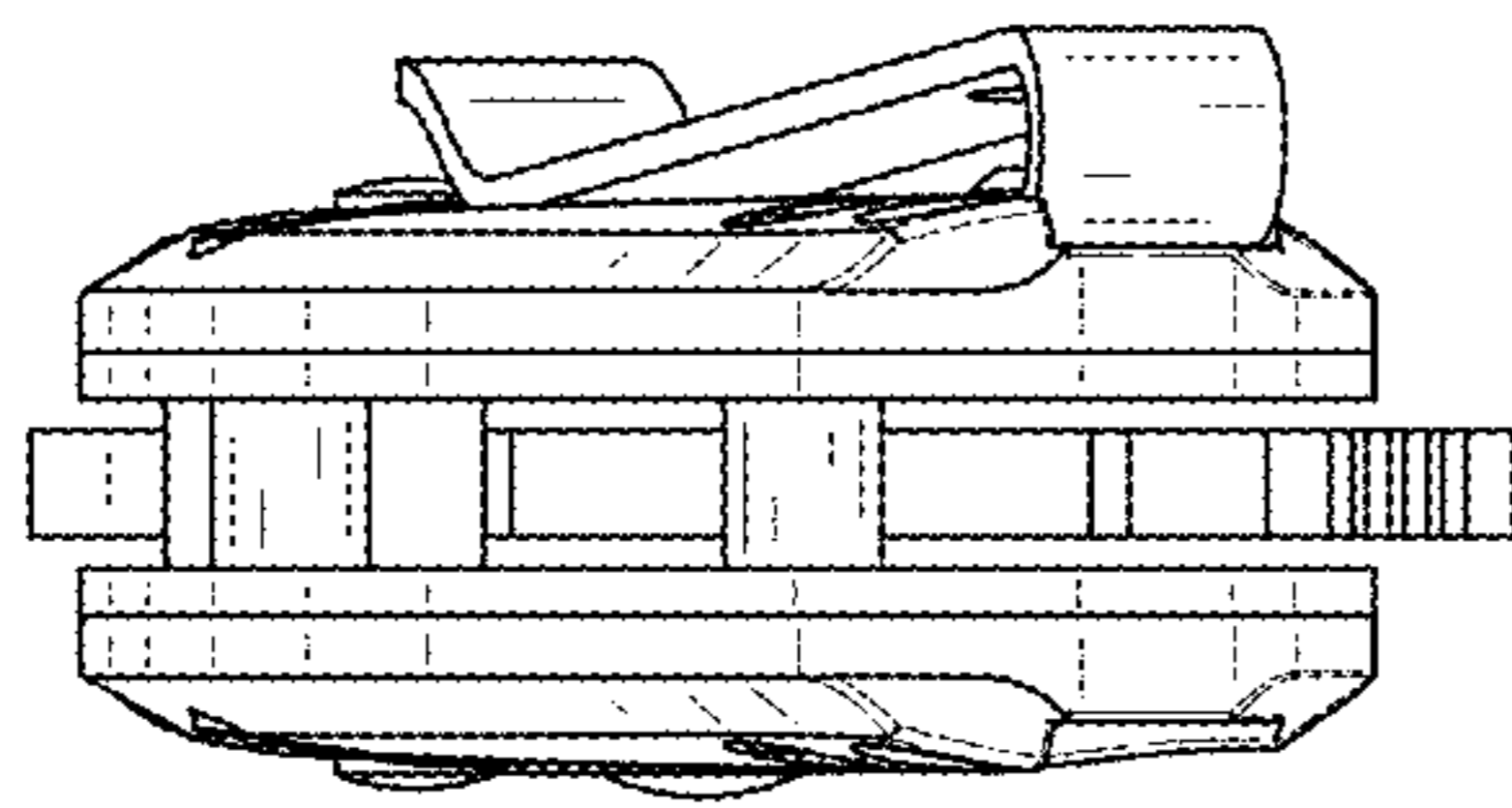


FIG. 6

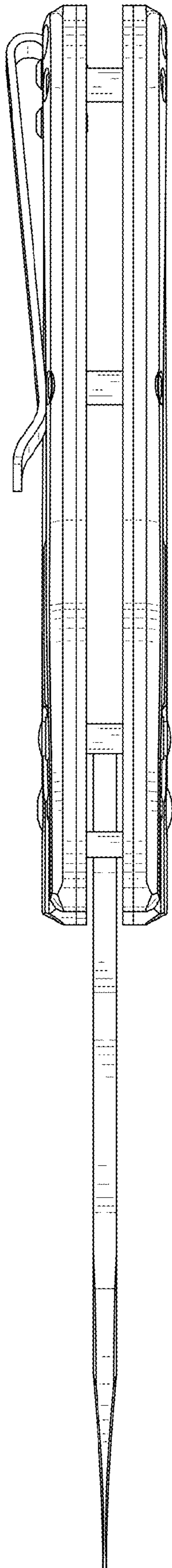


FIG. 7

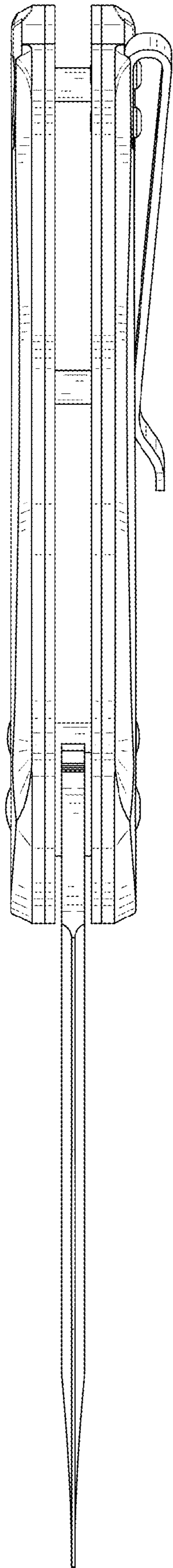


FIG. 8