



US00D926549S

(12) **United States Design Patent**
Wonderley

(10) **Patent No.:** **US D926,549 S**

(45) **Date of Patent:** **** Aug. 3, 2021**

(54) **UTILITY KNIFE**

(71) Applicant: **ACCUTECH, INC.**, Verona, VA (US)

(72) Inventor: **Jeffrey W. Wonderley**, Fort Defiance, VA (US)

(73) Assignee: **ACCUTECH, INC.**, Verona, VA (US)

(**) Term: **15 Years**

(21) Appl. No.: **29/709,229**

(22) Filed: **Oct. 11, 2019**

(51) **LOC (13) Cl.** **08-03**

(52) **U.S. Cl.**
USPC **D8/99**

(58) **Field of Classification Search**
USPC D8/14, 51, 98, 99, 100, 101, 105, 95;
D22/118
CPC B26B 1/00; B26B 1/08; B26B 1/10; B26B
5/001; B26B 5/002; B26B 5/003; B26B
5/005; B26B 5/006
See application file for complete search history.

(56) **References Cited**

U.S. PATENT DOCUMENTS

- 4,936,014 A * 6/1990 Shaanan B26B 5/001
30/162
- 6,829,827 B2 * 12/2004 Tseng B26B 5/001
30/124
- D563,755 S * 3/2008 Wu D8/99
- D592,032 S * 5/2009 Wu D8/98
- D624,386 S * 9/2010 van Deursen D8/99

- D645,721 S * 9/2011 Wu D8/99
- 8,567,071 B2 * 10/2013 Strauss B26B 5/001
30/162
- D751,883 S * 3/2016 Huang D8/99
- D828,136 S * 9/2018 Bellamy D8/99
- 10,252,428 B2 * 4/2019 Ranieri B26B 5/001
- D848,235 S * 5/2019 Dechant D8/99
- 2017/0021511 A1 * 1/2017 Chiu B26B 5/003
- 2017/0129112 A1 * 5/2017 Ranieri B26B 1/08

* cited by examiner

Primary Examiner — Philip S Hyder

(74) *Attorney, Agent, or Firm* — Budzyn IP Law, LLC

(57) **CLAIM**

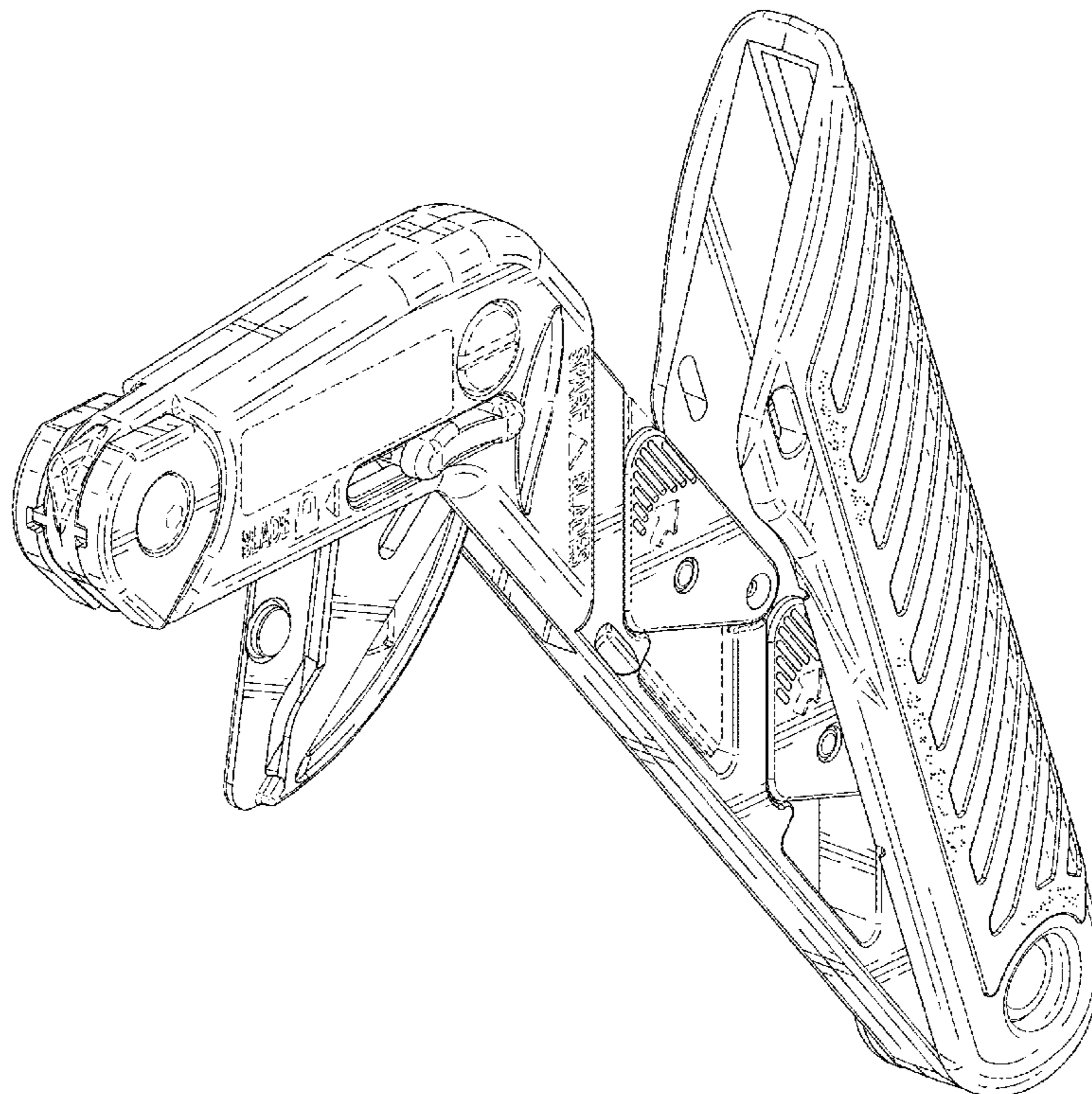
I claim the ornamental design for a utility knife, as shown and described.

DESCRIPTION

FIG. 1 is an isometric top and right side view of a utility knife;
 FIG. 2 is a front view of the utility knife of FIG. 1;
 FIG. 3 is a rear view of the utility knife of FIG. 1;
 FIG. 4 is a right side view of the utility knife of FIG. 1;
 FIG. 5 is a left side view of the utility knife of FIG. 1;
 FIG. 6 is a top view of the utility knife of FIG. 1;
 FIG. 7 is a bottom view of the utility knife of FIG. 1; and,
 FIG. 8 is an isometric bottom and left side view of the utility knife of FIG. 1.

The subject matter illustrated in broken lines forms no part of the claimed design.

1 Claim, 6 Drawing Sheets



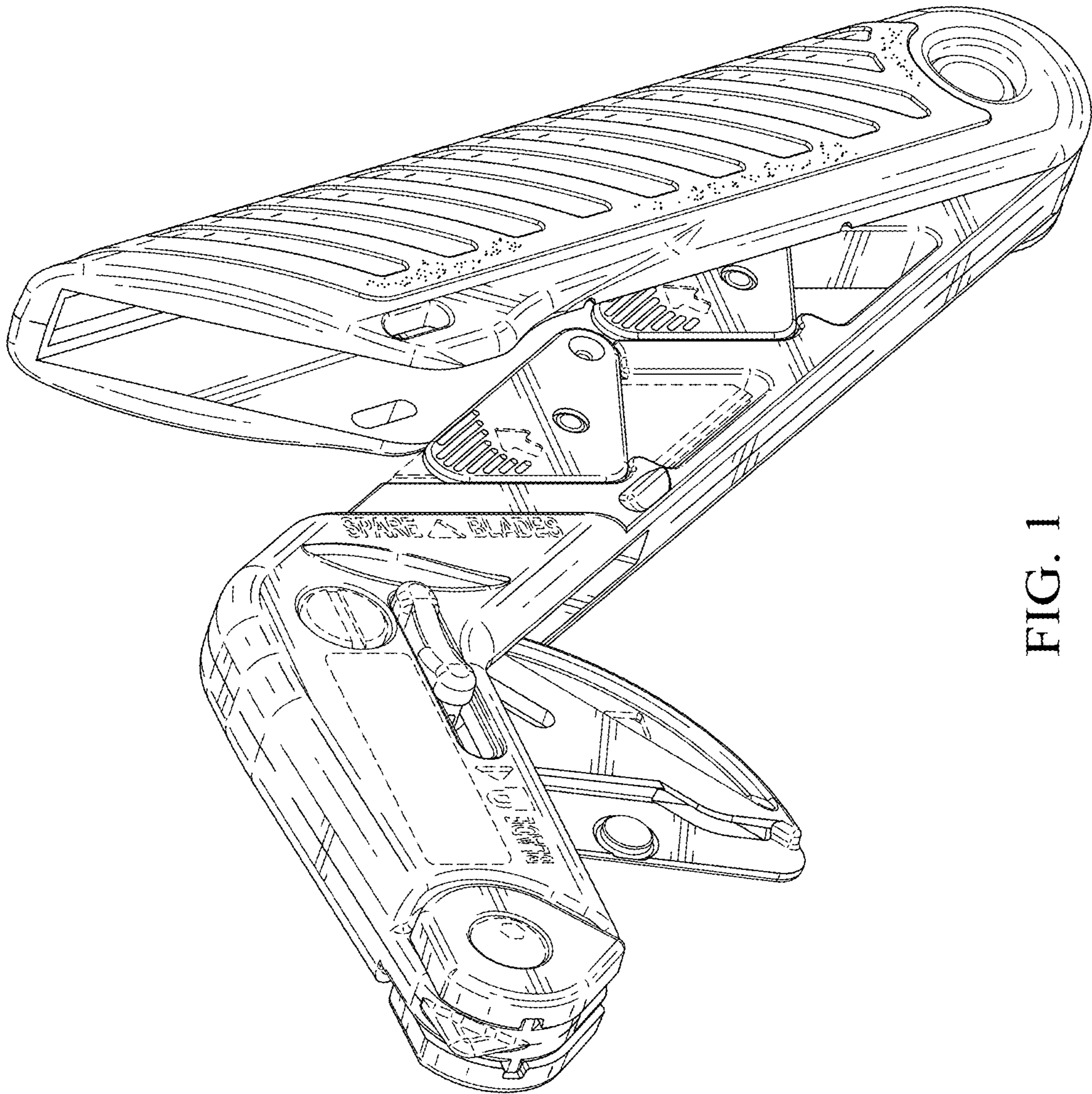


FIG. 1

FIG. 3

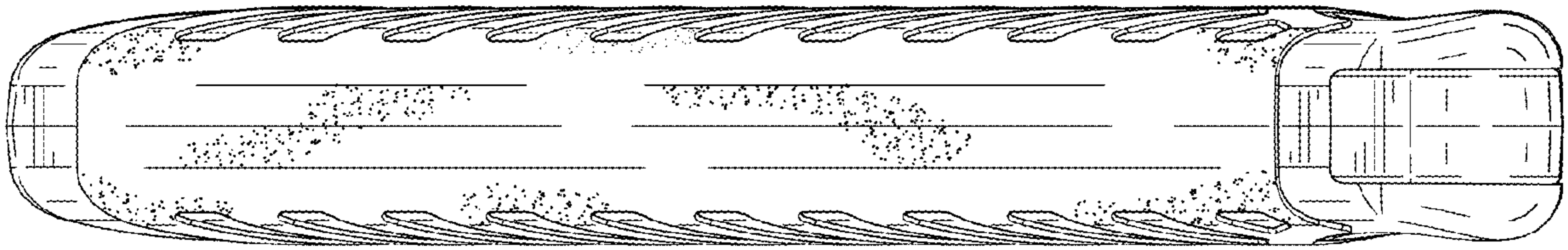
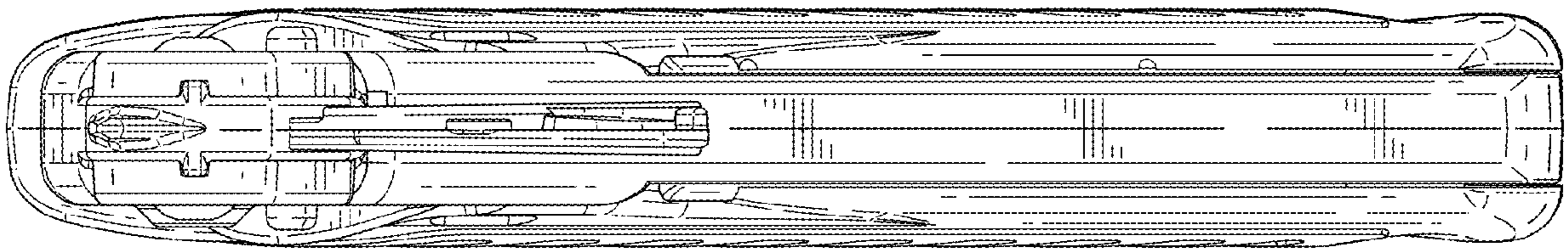


FIG. 2



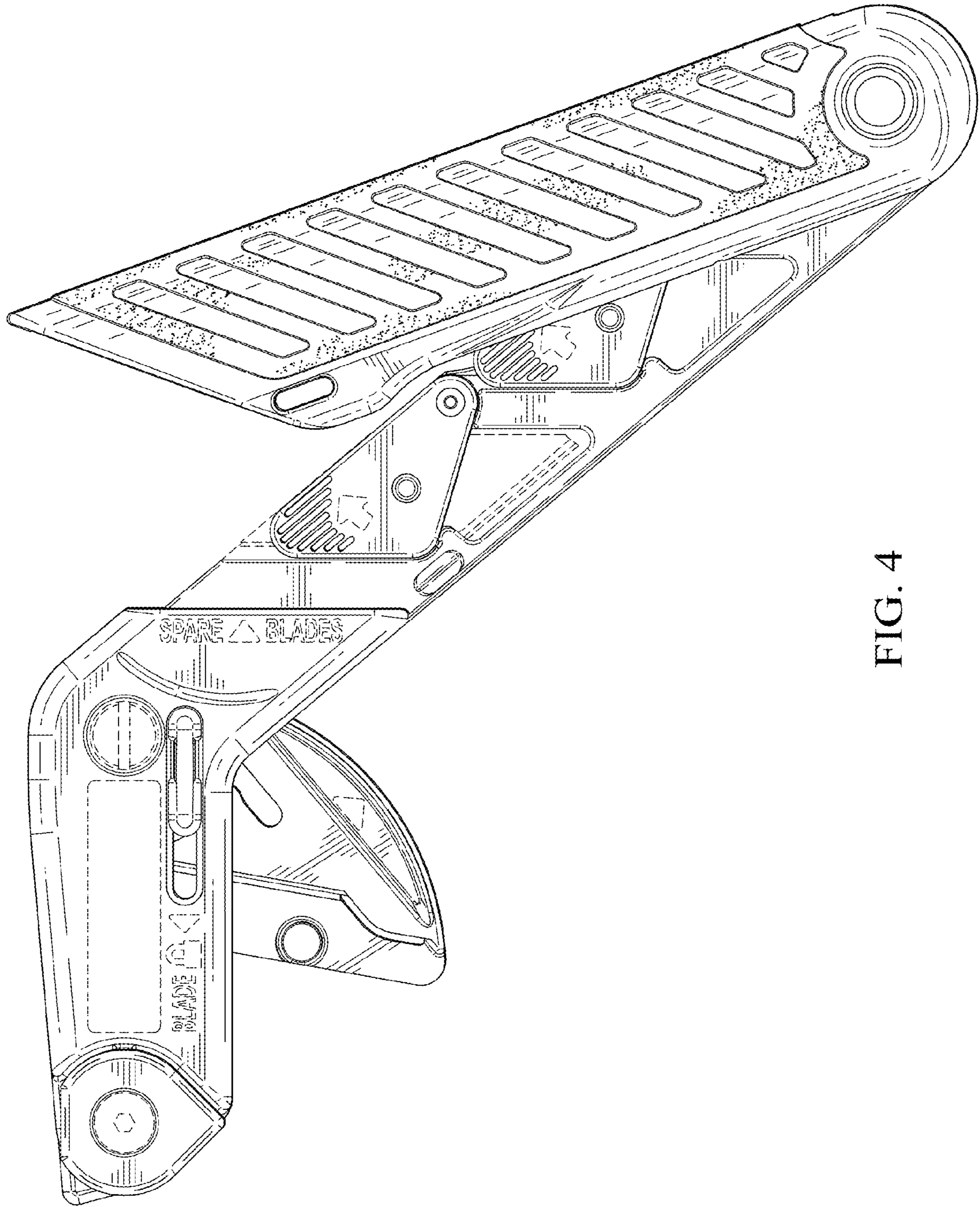


FIG. 4

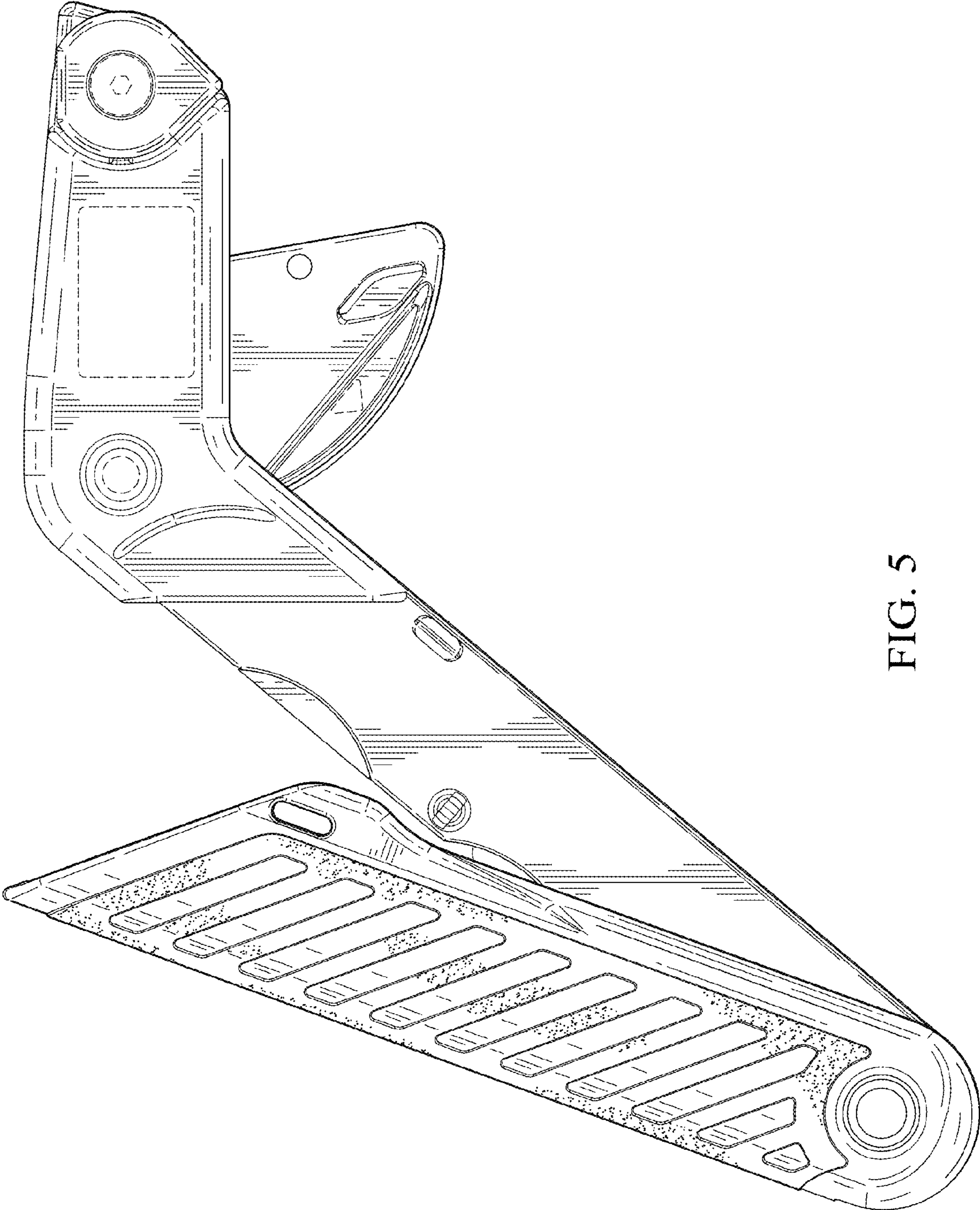


FIG. 5

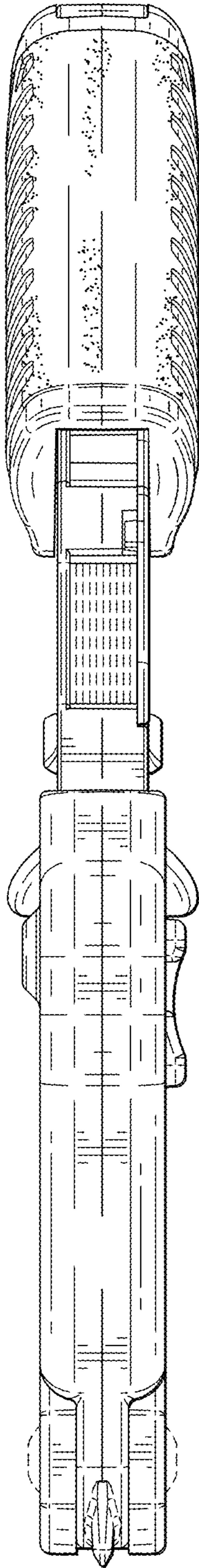


FIG. 6

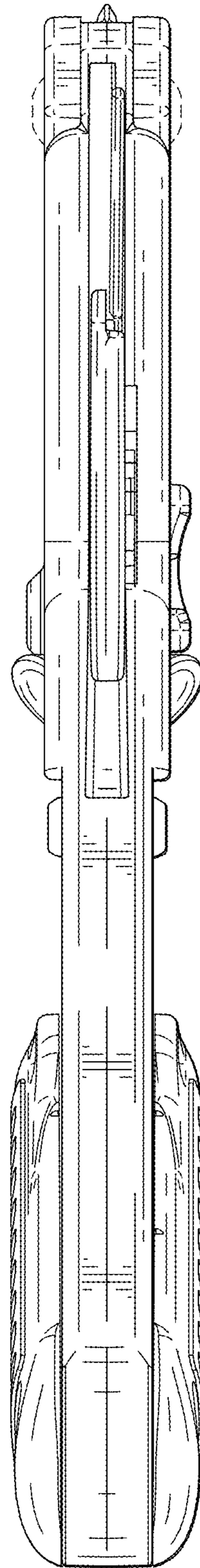


FIG. 7

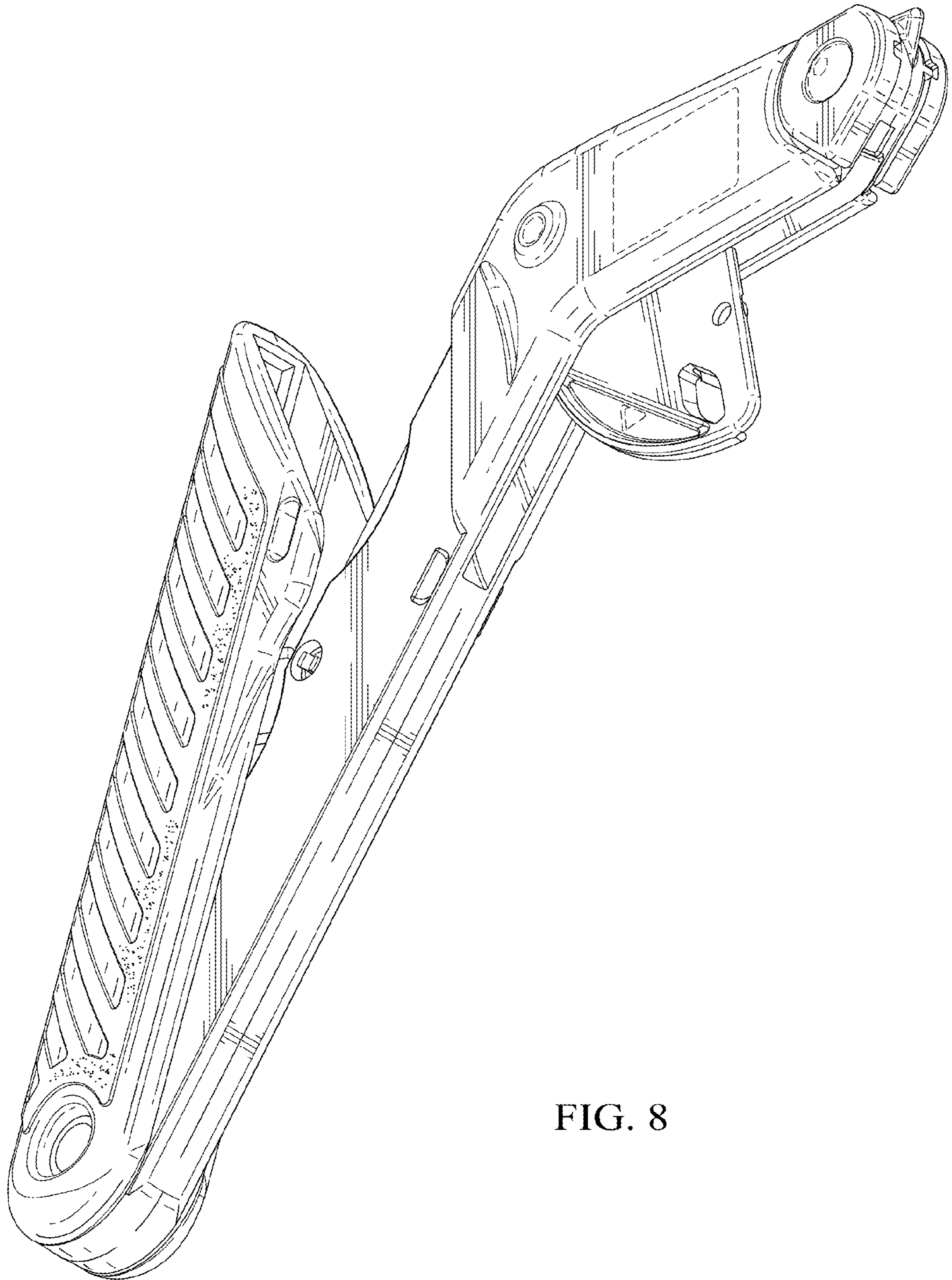


FIG. 8