

US00D926546S

(12) **United States Design Patent**
Henderson et al.

(10) **Patent No.:** **US D926,546 S**
(45) **Date of Patent:** **** Aug. 3, 2021**

(54) **WORKPIECE SUPPORT**

(71) Applicant: **Lee Valley Tools Ltd.**, Ottawa (CA)

(72) Inventors: **Jeffery J. Henderson**, Carleton Place (CA); **Robin C. Lee**, Toronto (CA); **James Alexander McFarlane**, Toronto (CA)

(73) Assignee: **Lee Valley Tools Ltd.**, Ottawa (CA)

(**) Term: **15 Years**

(21) Appl. No.: **29/623,337**

(22) Filed: **Oct. 24, 2017**

(51) **LOC (13) Cl.** **08-05**

(52) **U.S. Cl.**
USPC **D8/71**

(58) **Field of Classification Search**
USPC D8/71, 355, 363, 373, 380, 349;
D12/400, 415-418, 420, 426.1, 114, 223;
D14/238, 250-254, 224.1, 238.1, 433,
D14/447, 451, 452, 483, 126, 129, 147
CPC A47B 21/04; A47B 2097/006; A47B
2097/005; A47B 2023/049; A45C
2011/002; A45C 2011/003; F16M
2200/00; F16M 13/00

See application file for complete search history.

(56) **References Cited**

U.S. PATENT DOCUMENTS

1,532,729 A	4/1925	Car;Spm
1,987,826 A	1/1935	Heumann
2,890,566 A	6/1959	Miller
3,038,675 A	6/1962	Jost
3,360,270 A	12/1967	Stephen
3,482,794 A	12/1969	Berdsley
3,982,739 A	9/1976	Maes
4,070,011 A	1/1978	Glesser
4,189,976 A	2/1980	Becker

4,229,919 A	10/1980	Hughes
4,253,649 A	3/1981	Hewson
4,278,148 A	7/1981	Daley et al.

(Continued)

FOREIGN PATENT DOCUMENTS

EM	0052447790001	4/2018
EM	0052447790002	4/2018
WO	2011/107740	9/2011

OTHER PUBLICATIONS

U.S. Appl. No. 15/792,369, Unpublished (filed Oct. 24, 2017).
(Continued)

Primary Examiner — Keli L Hill

Assistant Examiner — Harold E Blackwell, II

(74) *Attorney, Agent, or Firm* — Stratford Managers Corporation

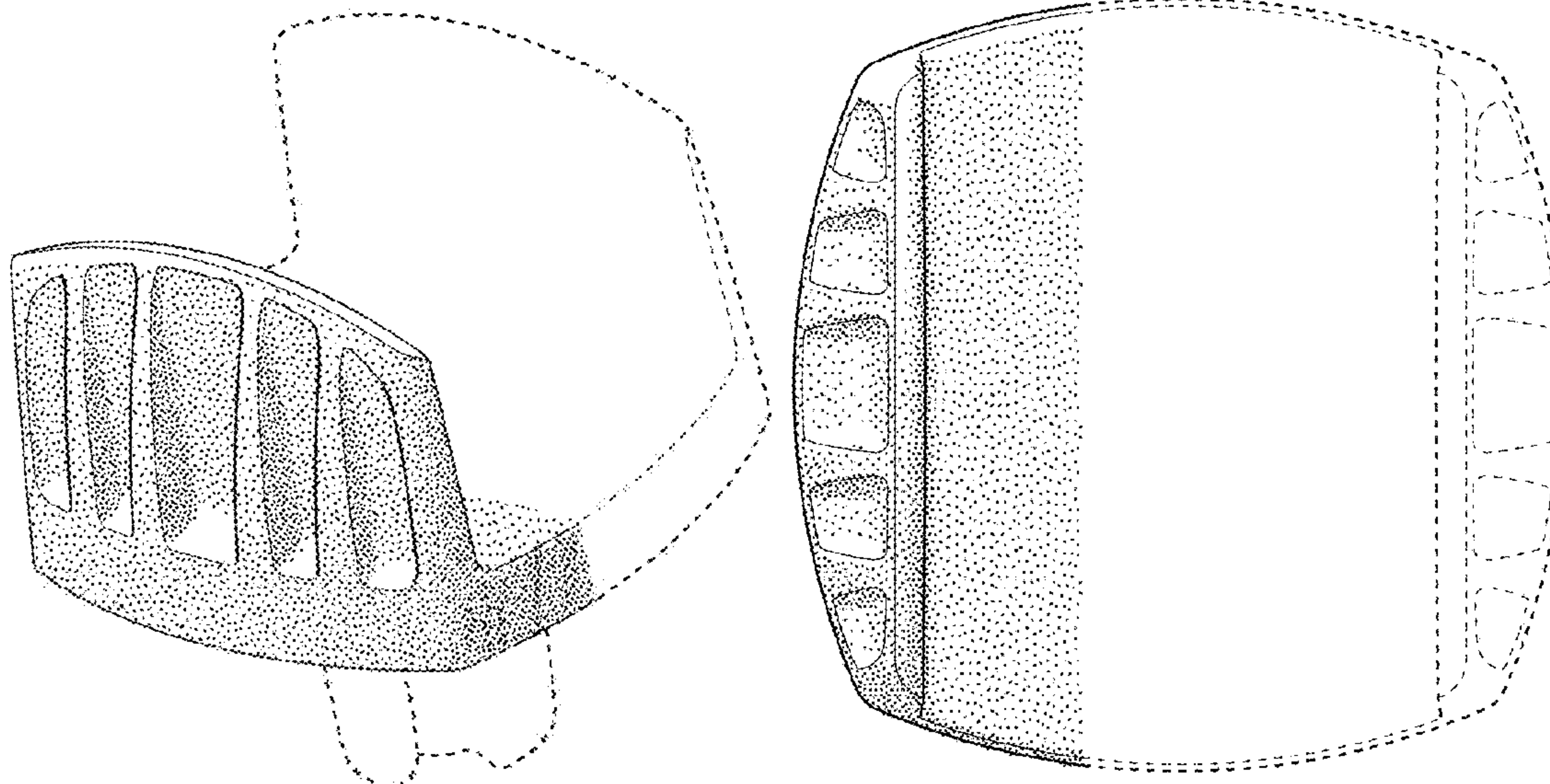
(57) **CLAIM**

The ornamental design for a workpiece support, as shown and described.

DESCRIPTION

FIG. 1 is a perspective view of the workpiece support; FIG. 2 is a front view of the workpiece support of FIG. 1; FIG. 3 is a back side view of the workpiece support of FIG. 1; FIG. 4 is a right side view of the workpiece support of FIG. 1; FIG. 5 is a left side view of the workpiece support of FIG. 1; FIG. 6 is a top view of the workpiece support of FIG. 1; and, FIG. 7 is a bottom view of the workpiece support of FIG. 1. The portions of the drawings in broken lines illustrate portions of the workpiece support that form no part of the claimed design.

1 Claim, 4 Drawing Sheets



(56)

References Cited

U.S. PATENT DOCUMENTS

4,282,599 A 8/1981 Lopez
 4,386,678 A 6/1983 Wendell
 4,495,613 A 1/1985 Gagnon
 4,500,077 A 2/1985 Coxon
 4,559,623 A 12/1985 Dennis
 4,819,922 A 4/1989 Boike
 4,943,039 A 7/1990 Jackson
 4,949,944 A 8/1990 Groff, Sr.
 5,163,724 A 11/1992 Conte
 5,184,697 A 2/1993 Crewe et al.
 5,295,700 A 3/1994 Crews et al.
 D350,887 S 9/1994 Sjolander et al.
 5,398,946 A 3/1995 Quiring
 D361,776 S 8/1995 Asano
 5,586,754 A 12/1996 Williams
 5,630,576 A 5/1997 Williams
 5,701,716 A 12/1997 Nagold
 5,823,862 A 10/1998 Heidelberger
 6,412,764 B1 7/2002 Hebert
 6,854,742 B2 2/2005 Salyer et al.
 D513,264 S 12/2005 Hayashi
 7,240,707 B1 7/2007 Schweitzer
 D595,862 S 7/2009 Suzuki et al.
 D595,863 S 7/2009 Suzuki et al.
 7,562,855 B2 7/2009 Oetlinger
 7,717,771 B1 5/2010 Lyerly
 8,061,106 B2 11/2011 Clark
 D690,707 S * 10/2013 Minn B60R 11/0241
 D14/447
 D715,790 S * 10/2014 Conomos D8/355

D733,115 S * 6/2015 Aspinall D14/253
 D750,633 S * 3/2016 Minn D14/447
 D799,466 S * 10/2017 Sukphist D14/253
 9,899,009 B2 * 2/2018 Ng G10D 3/053
 D860,190 S * 9/2019 Liao D14/253
 D861,049 S * 9/2019 Henderson D15/138
 D872,727 S * 1/2020 Chung D14/253
 D873,260 S * 1/2020 Dang D14/253
 2005/0214106 A1 9/2005 Ionescu
 2007/0246300 A1 10/2007 Adkins
 2009/0273130 A1 11/2009 Armstrong et al.
 2011/0079947 A1 4/2011 Masters
 2011/0136420 A1 6/2011 Chen
 2011/0155506 A1 6/2011 Caple
 2012/0152043 A1 6/2012 Wen
 2016/0178114 A1 6/2016 Hoyle
 2019/0118368 A1 * 4/2019 Henderson B25H 1/08

OTHER PUBLICATIONS

U.S. Appl. No. 29/623,332, Unpublished (filed Oct. 24, 2017).
 Custom Aluminum 45 RPM Record Adapter 2015-2020, www.pixy.org, 2015.
 U.S. Appl. No. 29/623,332 , Notice of Allowance, dated May 8, 2019, 8 pages.
<http://www.rockler.com/sawhorse-clips-or-bench-cookie-plus-pack-o--clips>.
<https://www.timberteeth.co.uk/>.
 Extended European Search Report, European Patent Application No. 18201651.9, dated Mar. 29, 2019, 9 pages.

* cited by examiner

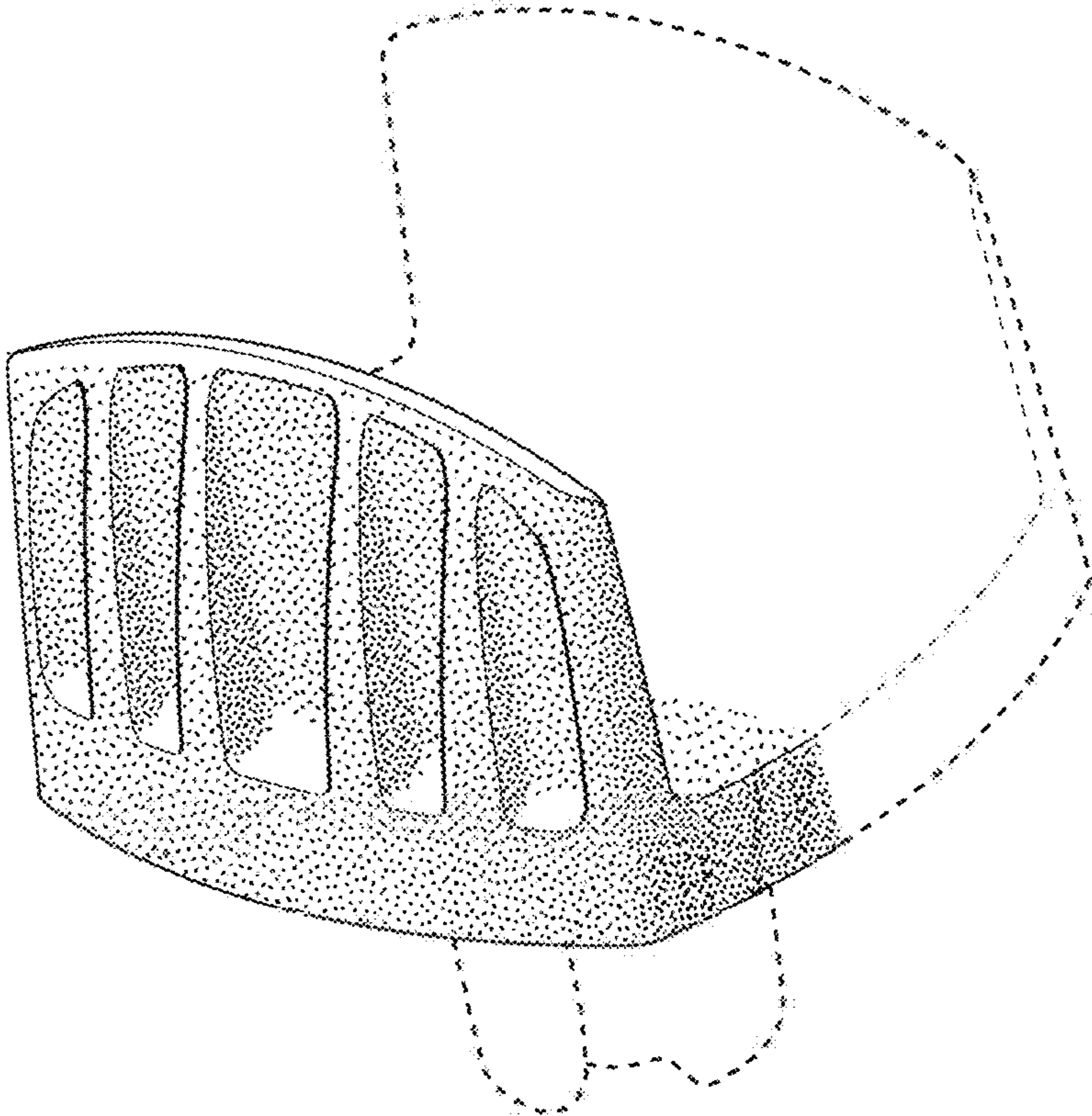


FIG. 1

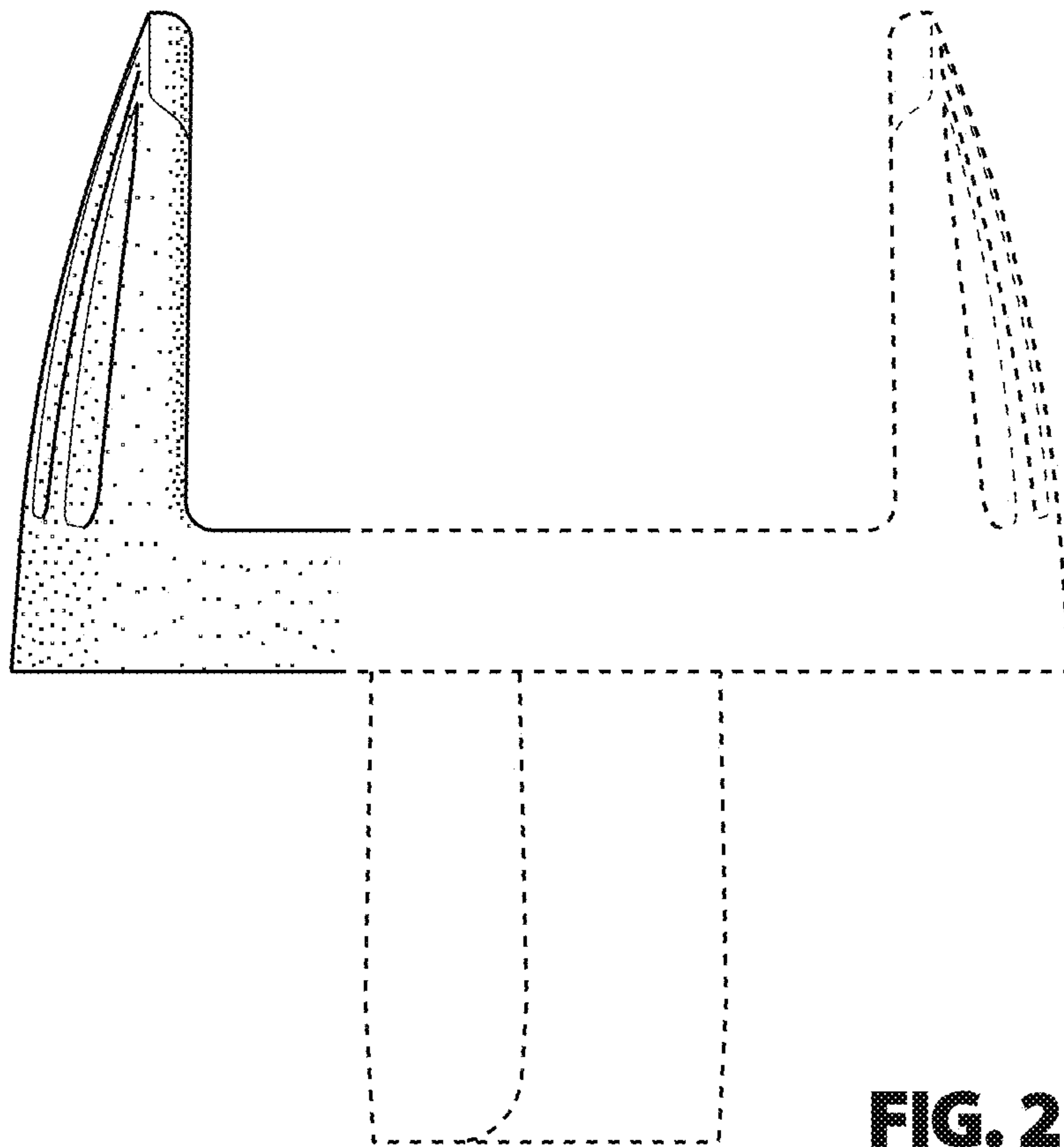


FIG. 2

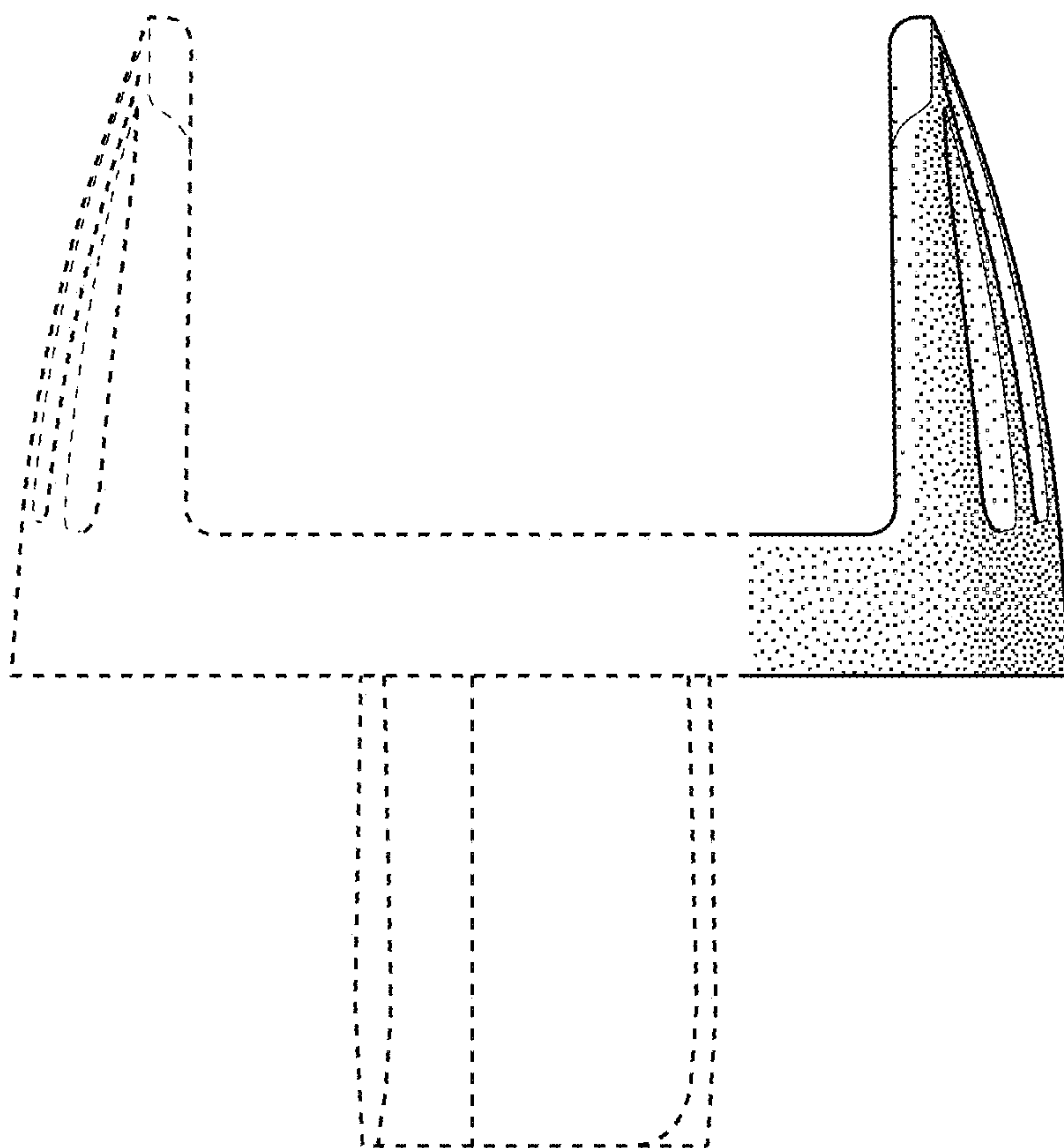


FIG. 3

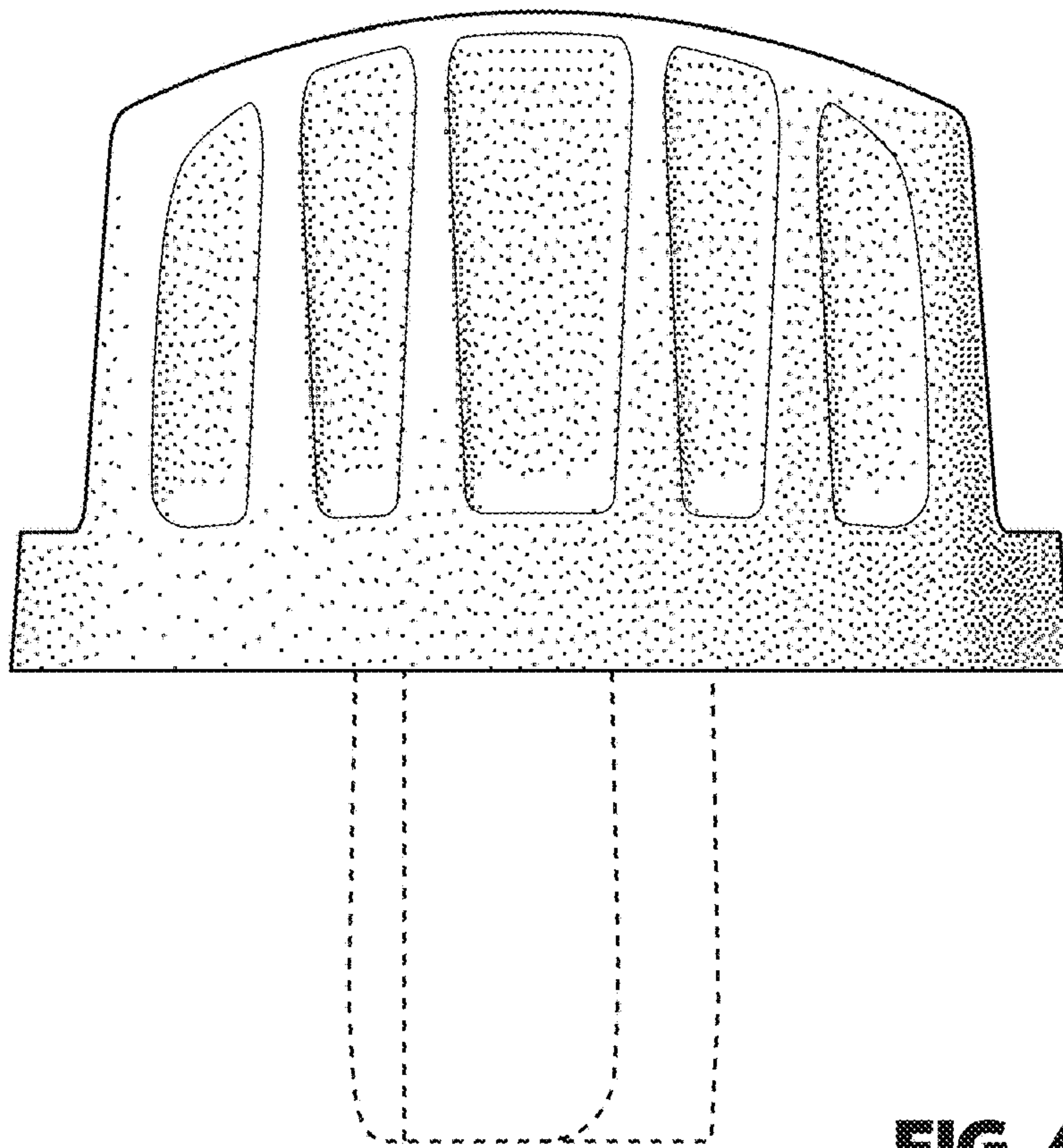


FIG. 4

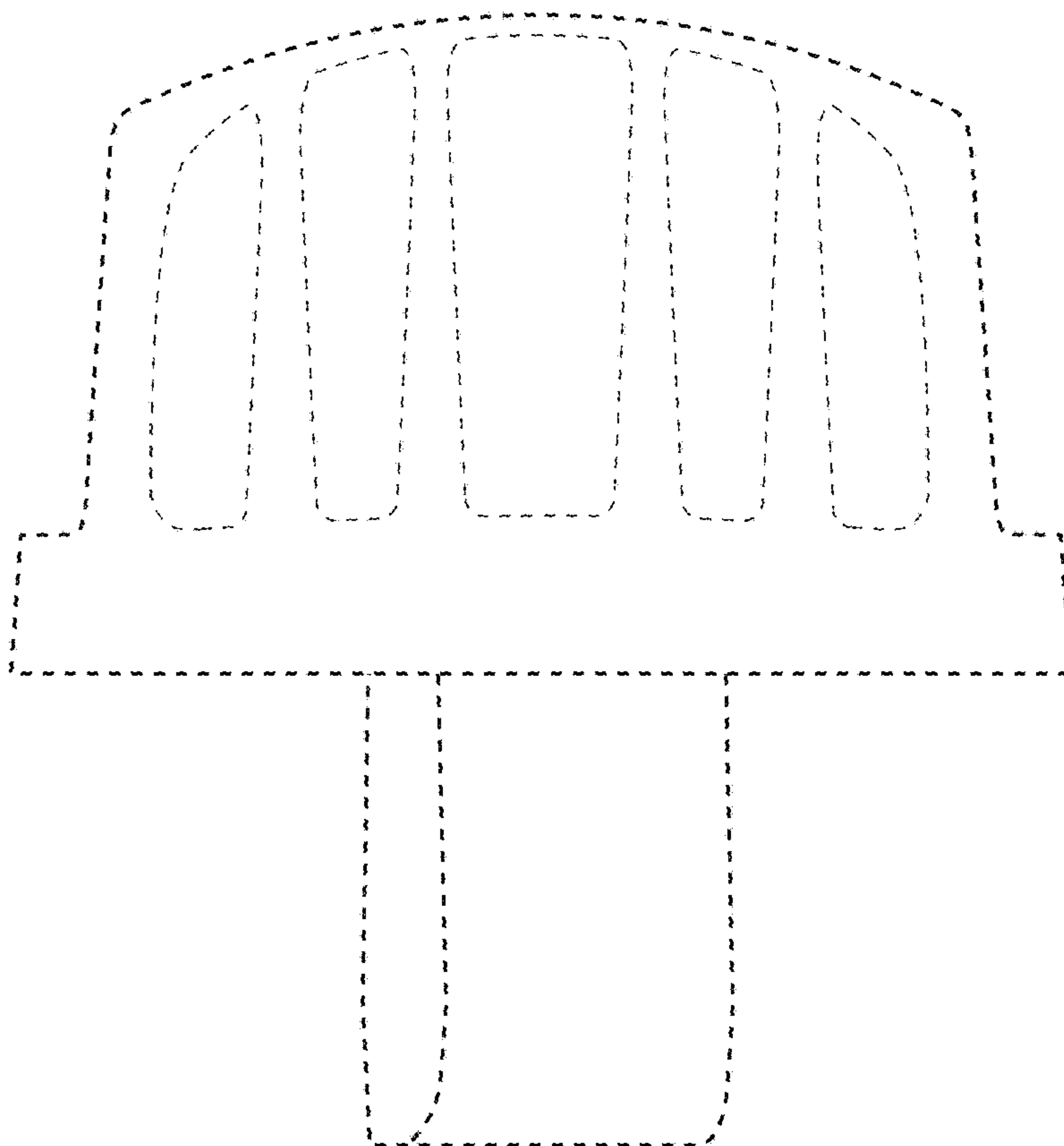


FIG. 5

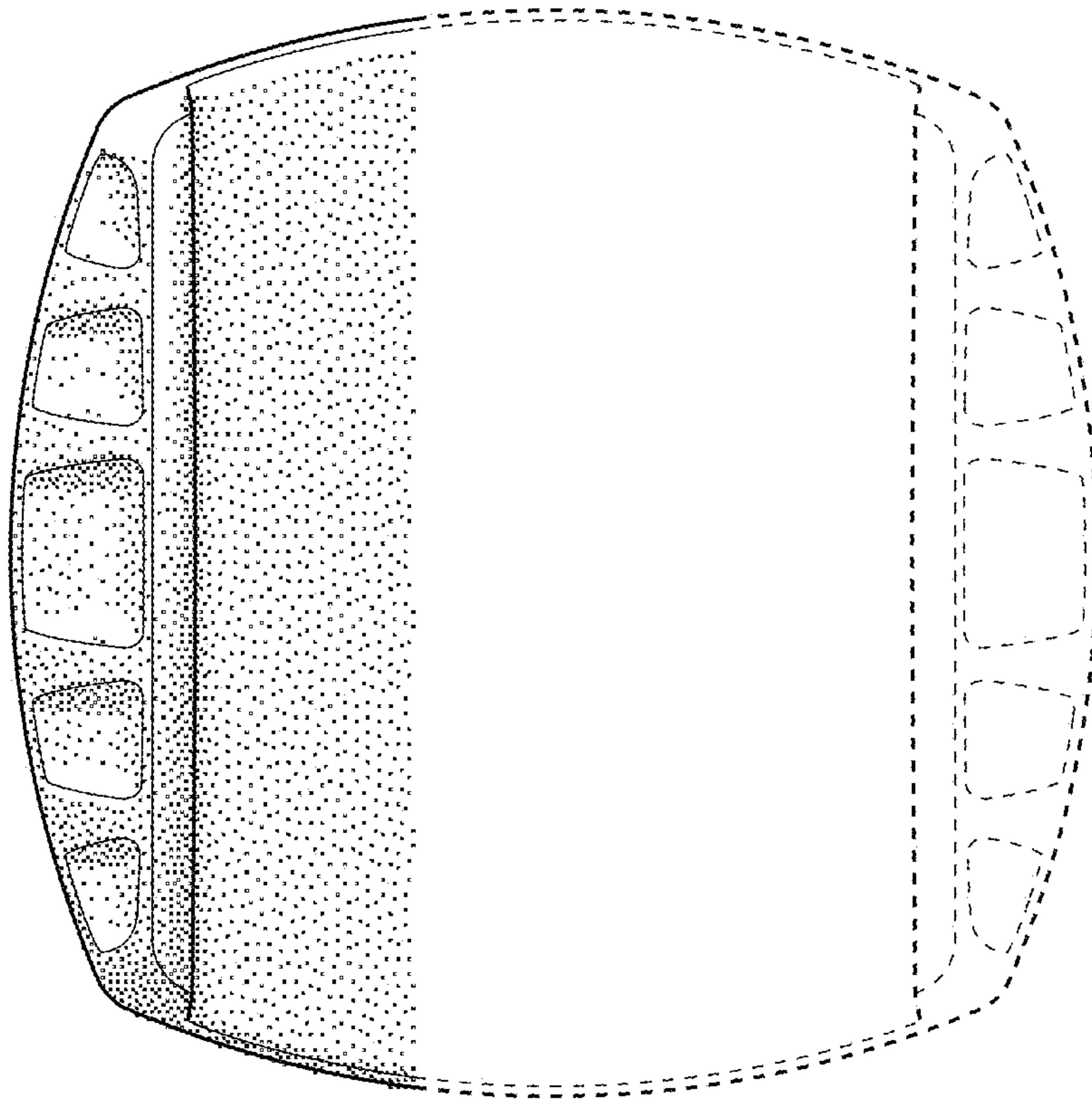


FIG. 6

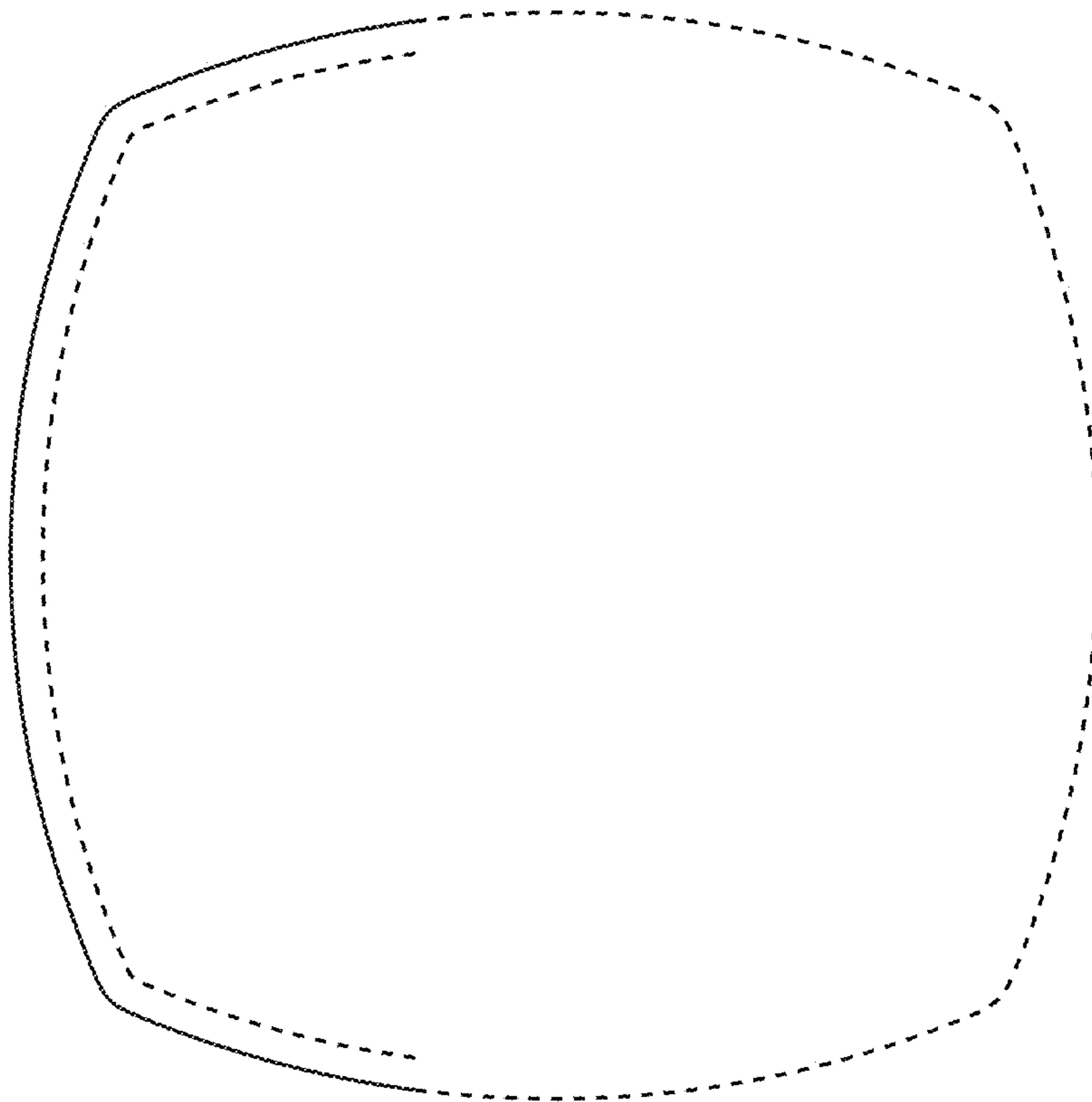


FIG. 7