



US00D926544S

(12) **United States Design Patent** (10) **Patent No.:** **US D926,544 S**
Kohler (45) **Date of Patent:** **** Aug. 3, 2021**

(54) **SAFETY GUARD FOR A MACHINE TOOL**

(71) Applicant: **Flex-Elektrowerkzeuge GmbH,**
Steinheim/Murr (DE)

(72) Inventor: **Jürgen Kohler,** Stuttgart (DE)

(73) Assignee: **Flex-Elektrowerkzeuge GmbH,**
Steinheim/Murr (DE)

(**) Term: **15 Years**

(21) Appl. No.: **35/508,696**

(22) Filed: **Jan. 23, 2020**

(80) **Hague Agreement Data**

Int. Filing Date: **Jan. 23, 2020**

Int. Reg. No.: **DM/206081**

Int. Reg. Date: **Jan. 23, 2020**

Int. Reg. Pub. Date: **Feb. 28, 2020**

(51) **LOC (13) Cl.** **08-03**

(52) **U.S. Cl.**

USPC **D8/66; D15/133**

CPC **B27B 9/02 (2013.01)**

(58) **Field of Classification Search**

USPC D8/61-70; D15/133; 83/373-377,
83/388-391, 166.3, 698.41, 747;
125/13.01; 144/218

CPC B27B 9/00; B27B 9/02; B27B 5/02; B27B
5/18; B27B 33/08; B28D 1/04; B28D
1/045; B23D 45/00

See application file for complete search history.

(56) **References Cited**

U.S. PATENT DOCUMENTS

5,010,651 A * 4/1991 Techter B27B 9/02
144/136.1

D329,363 S * 9/1992 Sasaki D8/66

5,327,649 A * 7/1994 Skinner B23D 59/006
30/124

5,381,602 A * 1/1995 Matzo B27B 9/02
30/375
D378,488 S * 3/1997 Ito D8/66
5,911,482 A * 6/1999 Campbell B23D 59/002
30/390
D427,873 S * 7/2000 Inoue D8/66
D429,133 S * 8/2000 Lui D8/66
D475,265 S * 6/2003 Hatch D8/66
6,612,038 B2 * 9/2003 Onose B23D 59/006
30/124
D488,977 S * 4/2004 Evans D8/66

(Continued)

Primary Examiner — Richard E Chilcot

(74) *Attorney, Agent, or Firm* — Aslan Law, P.C.

(57) **CLAIM**

The ornamental design for a safety guard for a machine tool, as shown and described.

DESCRIPTION

The patent or application file contains at least one drawing executed in color. Copies of this patent or patent application publication with color drawing(s) will be provided by the Office upon request and payment of the necessary fee.

FIG. 5.1 is a first perspective view of a first embodiment of a safety guard for a machine tool showing my new design;

FIG. 5.2 is a front side view thereof;

FIG. 5.3 is a first side view thereof;

FIG. 5.4 is a rear side view thereof;

FIG. 5.5 is a second side view thereof;

FIG. 5.6 is a top view thereof;

FIG. 5.7 is a bottom view thereof;

FIG. 6.1 is a first perspective view of a second embodiment of a safety guard for a machine tool showing my new design;

FIG. 6.2 is a front side view thereof;

FIG. 6.3 is a first side view thereof;

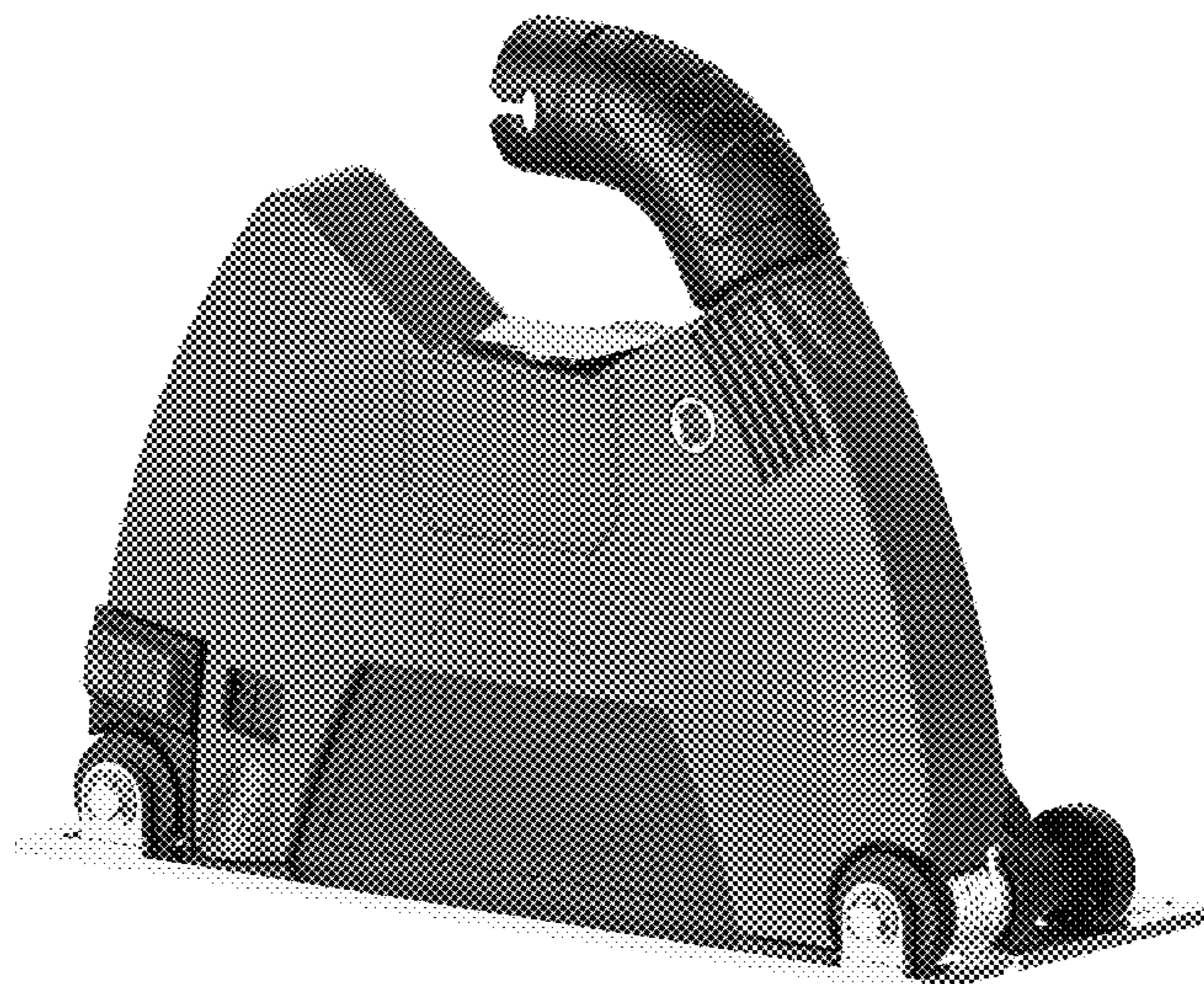
FIG. 6.4 is a rear side view thereof;

FIG. 6.5 is a second side view thereof;

FIG. 6.6 is a top view thereof; and,

FIG. 6.7 is a bottom view thereof.

1 Claim, 14 Drawing Sheets
(7 of 14 Drawing Sheet(s) Filed in Color)



(56)

References Cited

U.S. PATENT DOCUMENTS

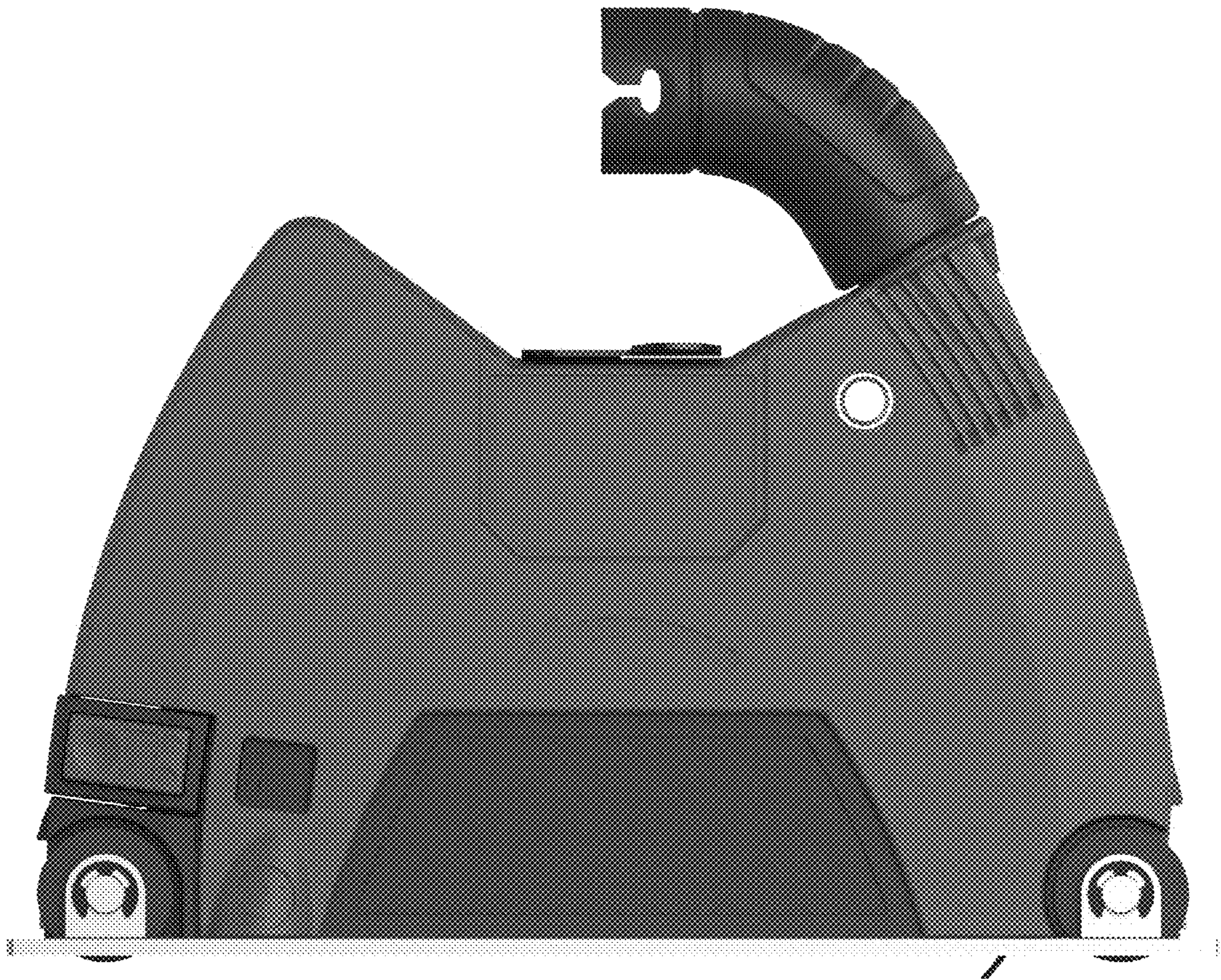
D500,438 S *	1/2005	Andriolo	D8/66
D501,776 S *	2/2005	Wu	D8/66
D504,297 S *	4/2005	Tillman	D8/66
D539,108 S *	3/2007	Roberts	D8/66
D539,626 S *	4/2007	Roberts	D8/66
D559,645 S *	1/2008	Okuda	D8/66
D572,989 S *	7/2008	Netzler	D8/66
D572,990 S *	7/2008	Netzler	D8/66
D580,249 S *	11/2008	Netzler	D8/66
D731,869 S *	6/2015	Hoggarth	D8/66
D829,779 S *	10/2018	Vuckovic	D15/133
D831,710 S *	10/2018	Imsand	D15/133
D856,384 S *	8/2019	Takahashi	D15/133
D860,745 S *	9/2019	Turner	D8/66

* cited by examiner

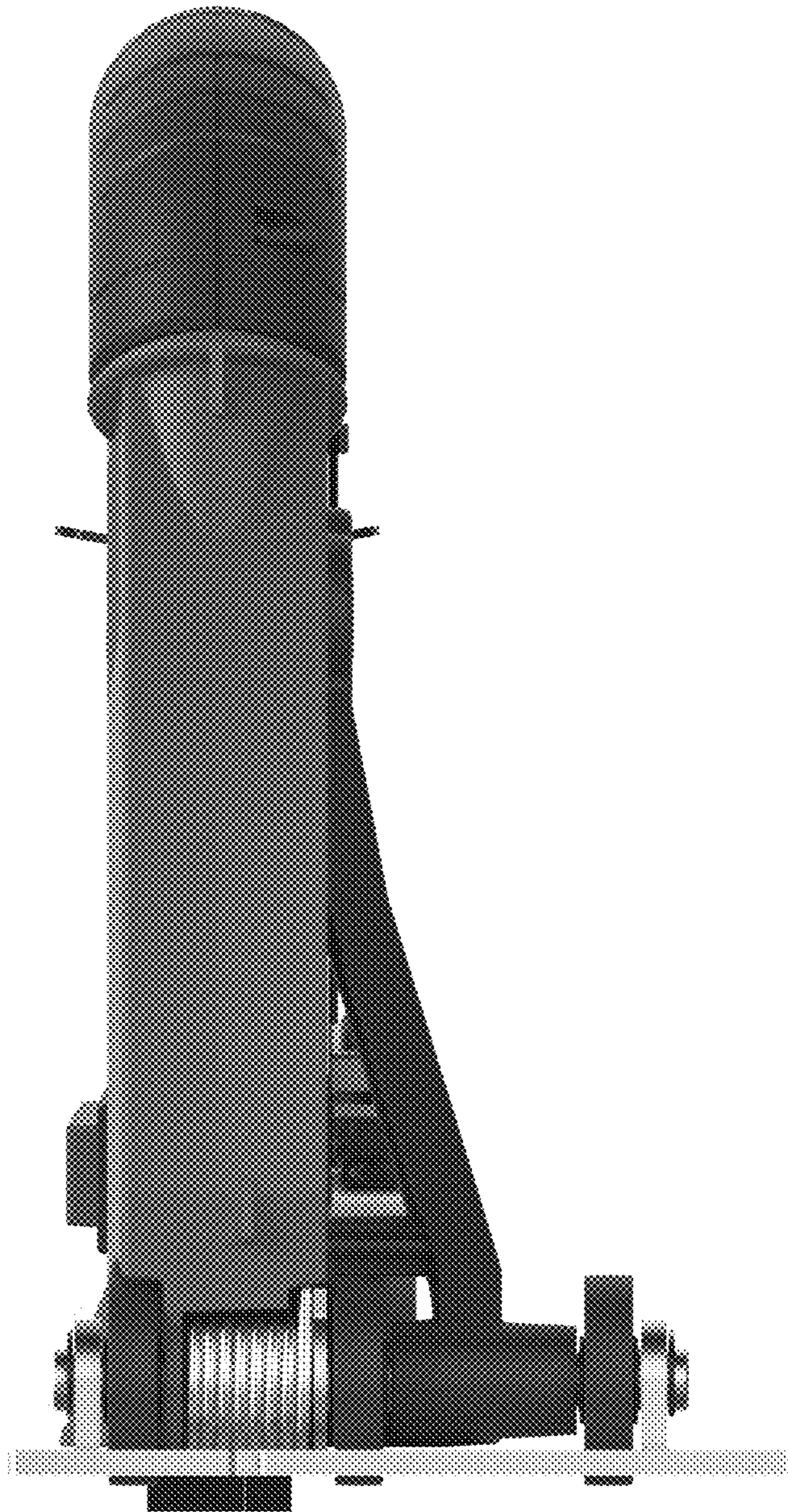
5.1



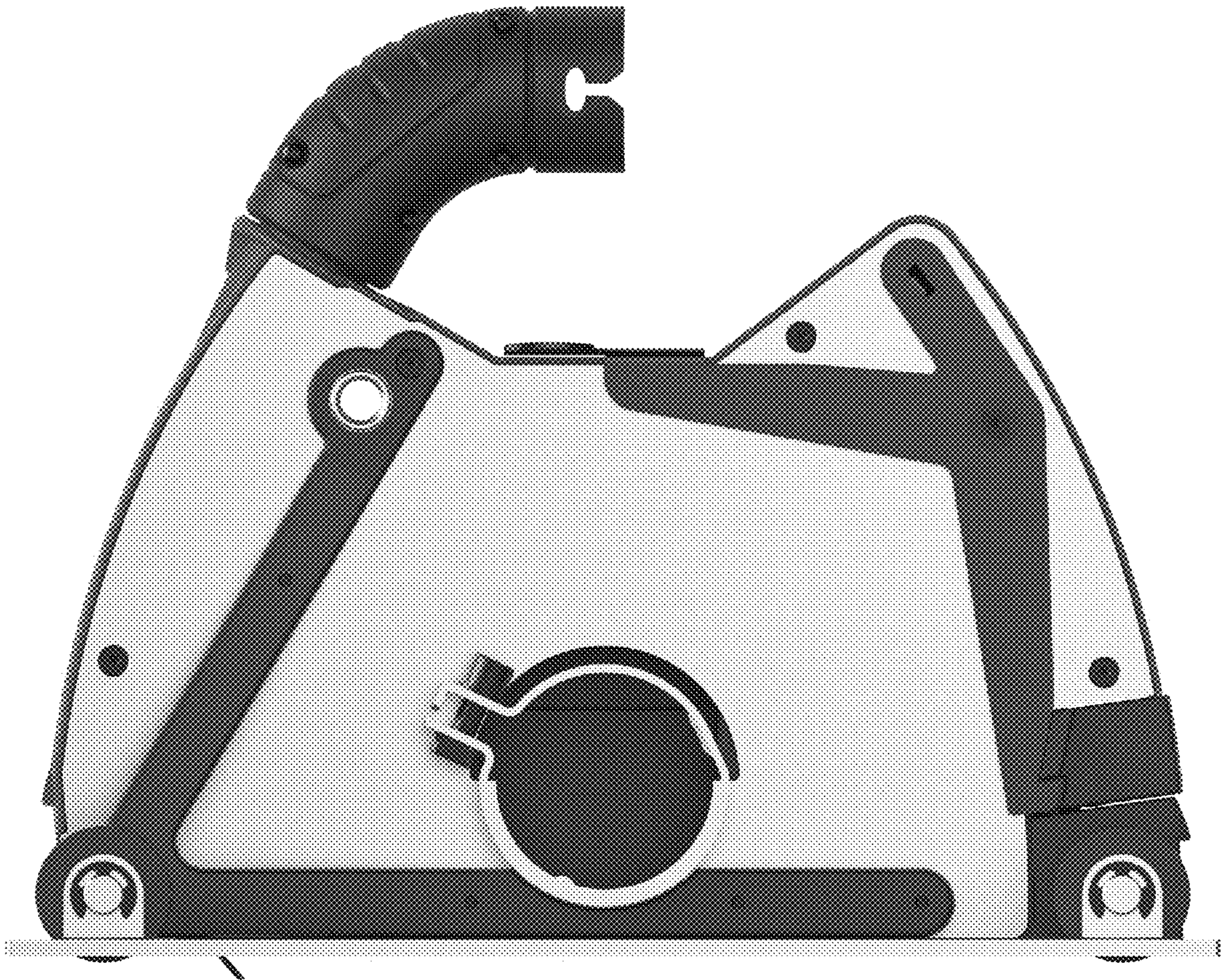
5.2



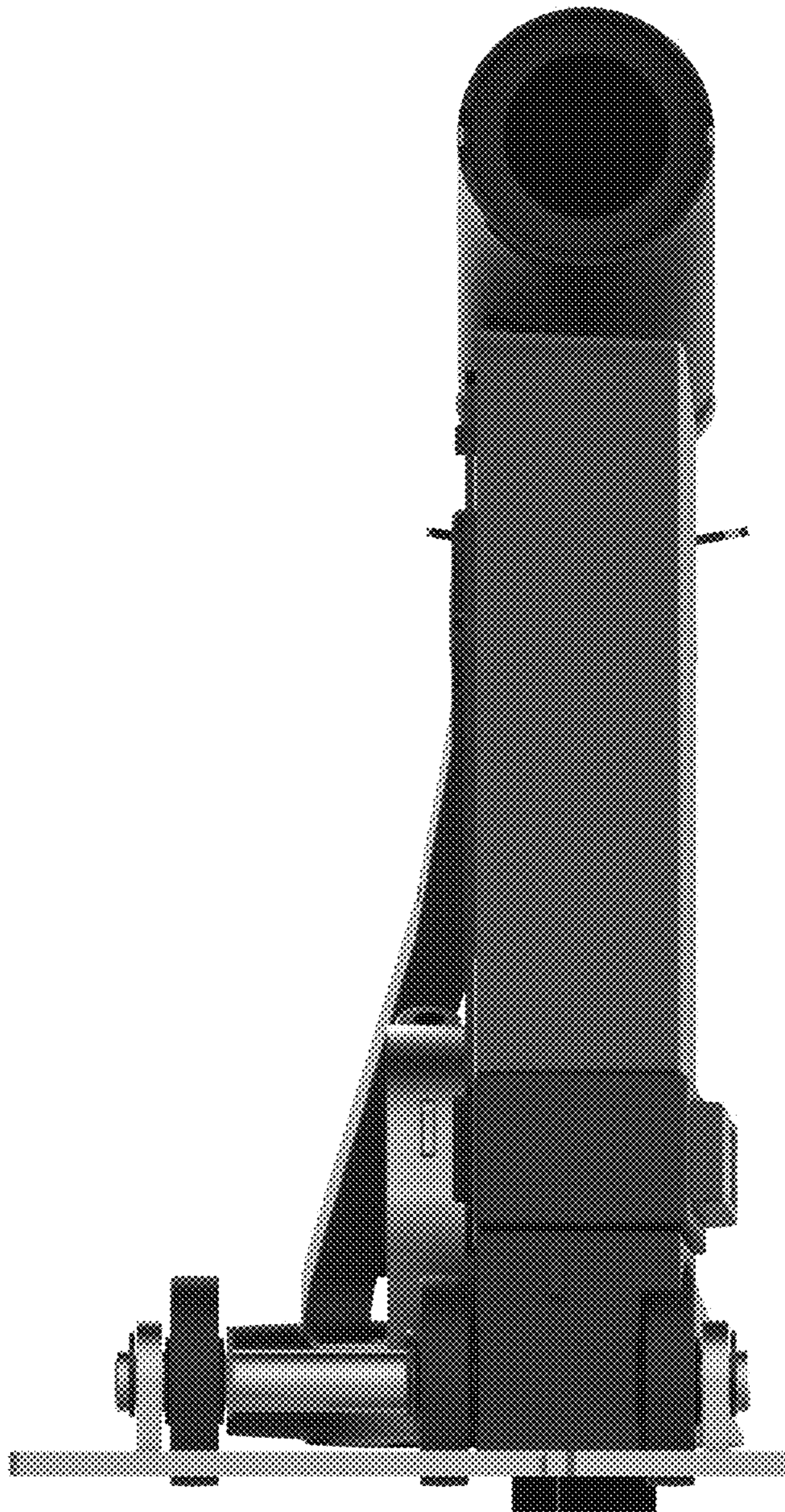
5.3



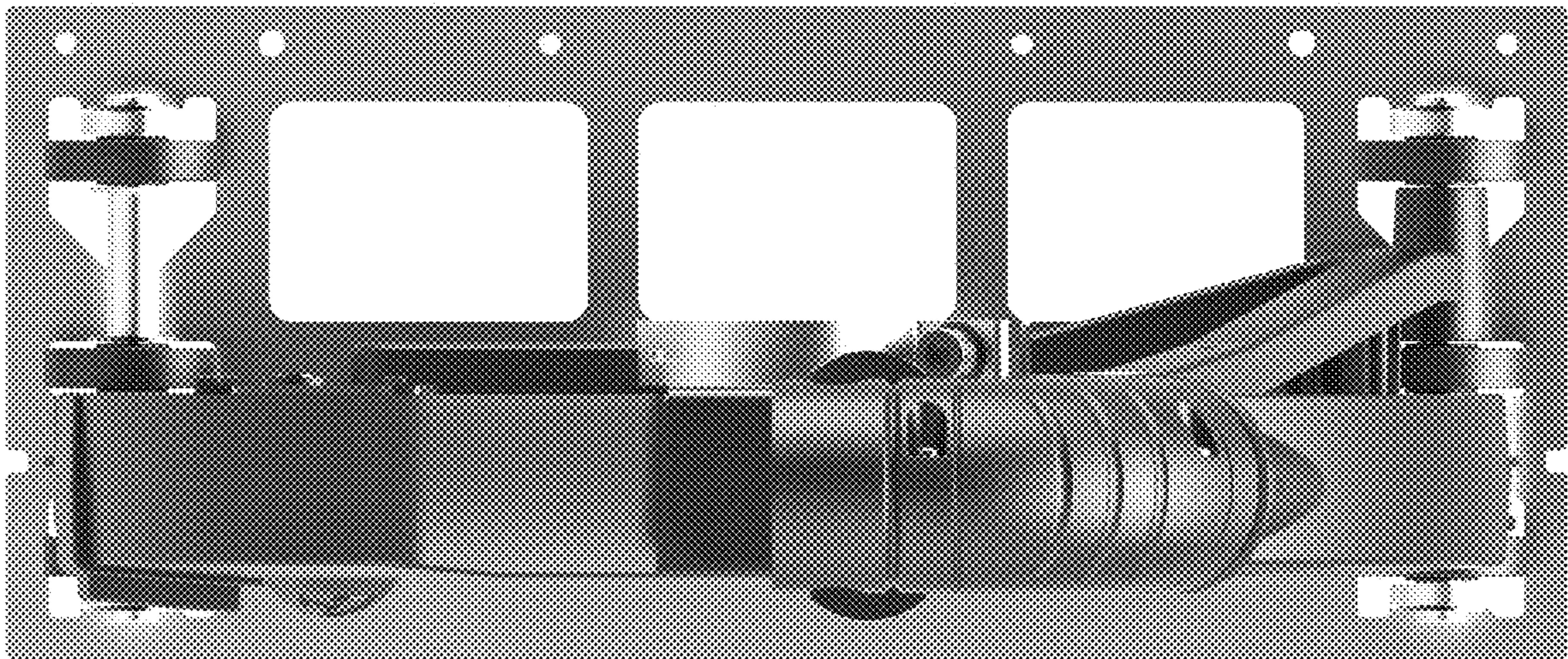
5.4



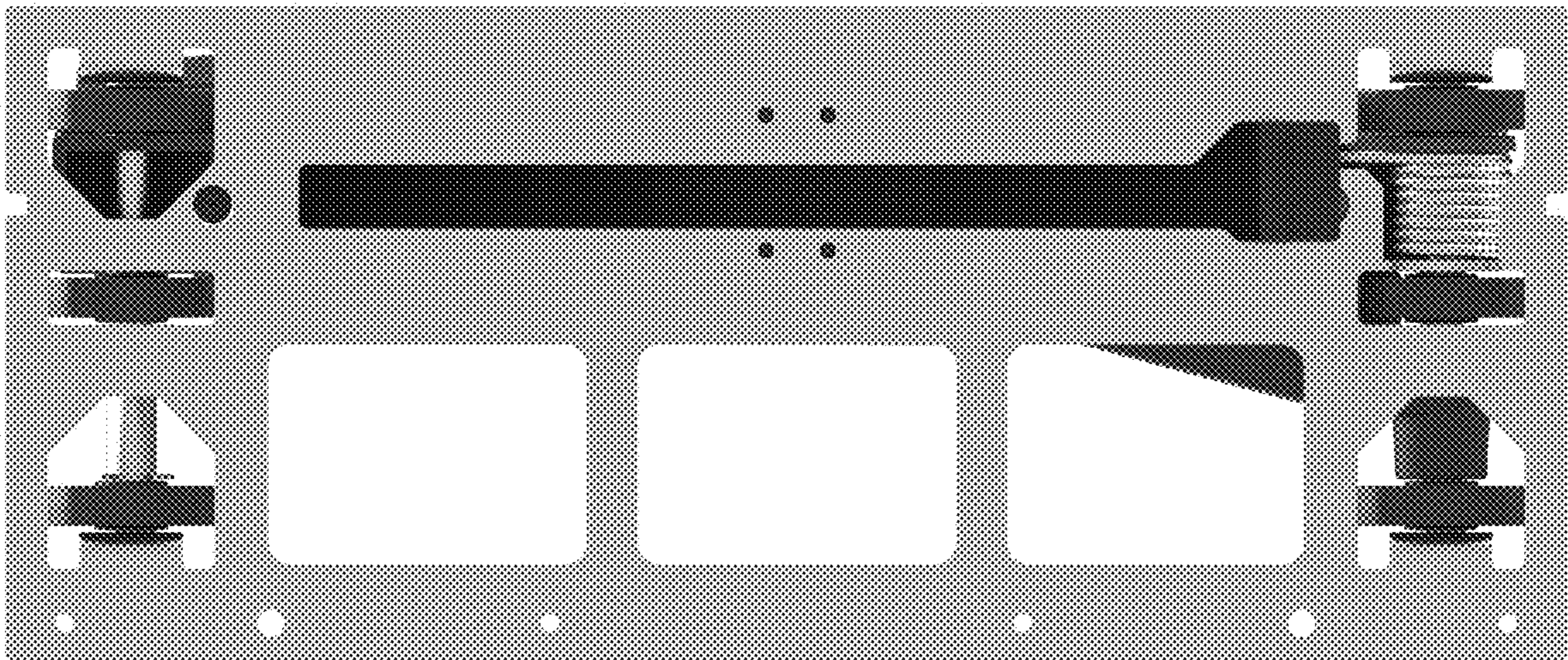
5.5



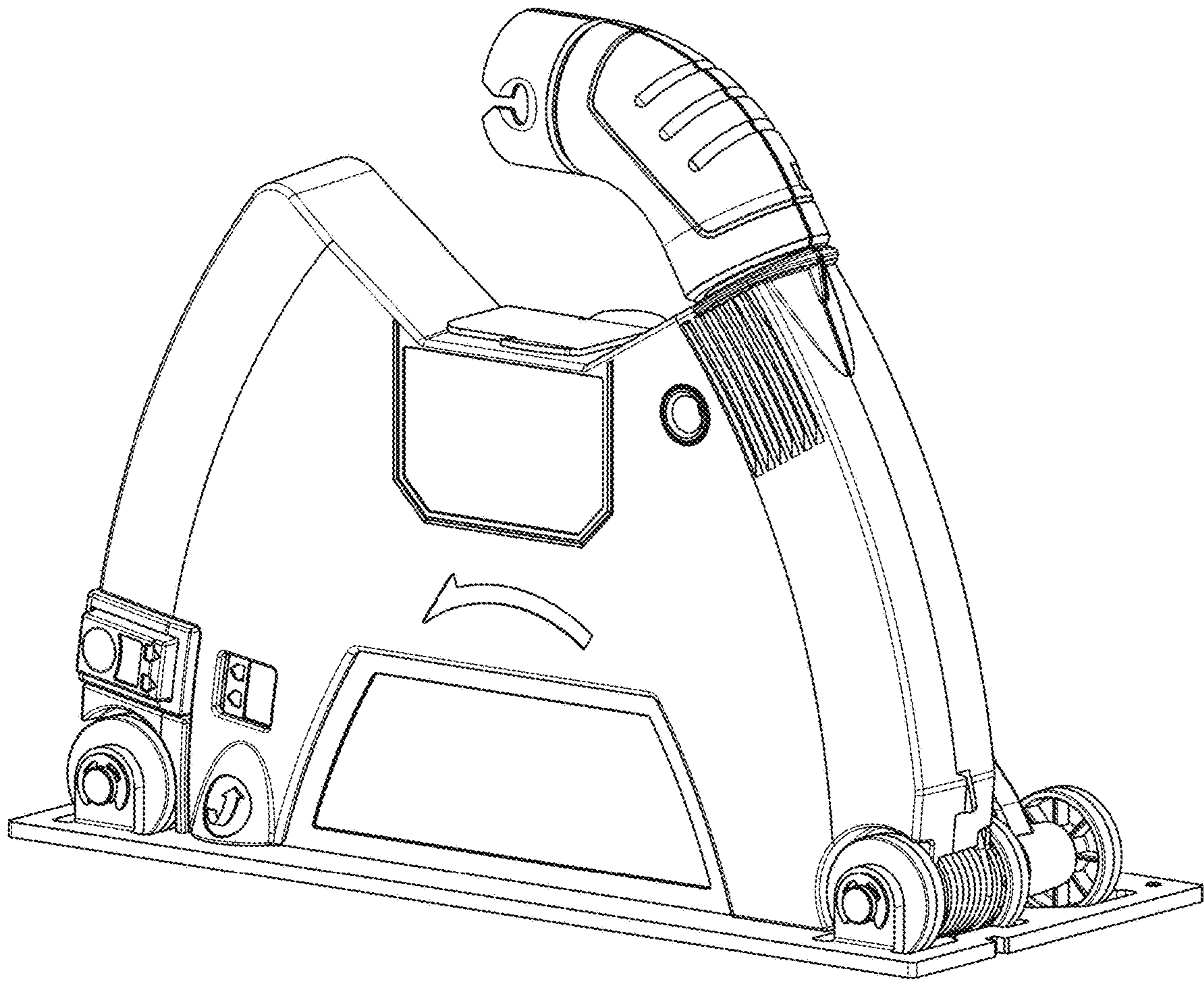
5.6



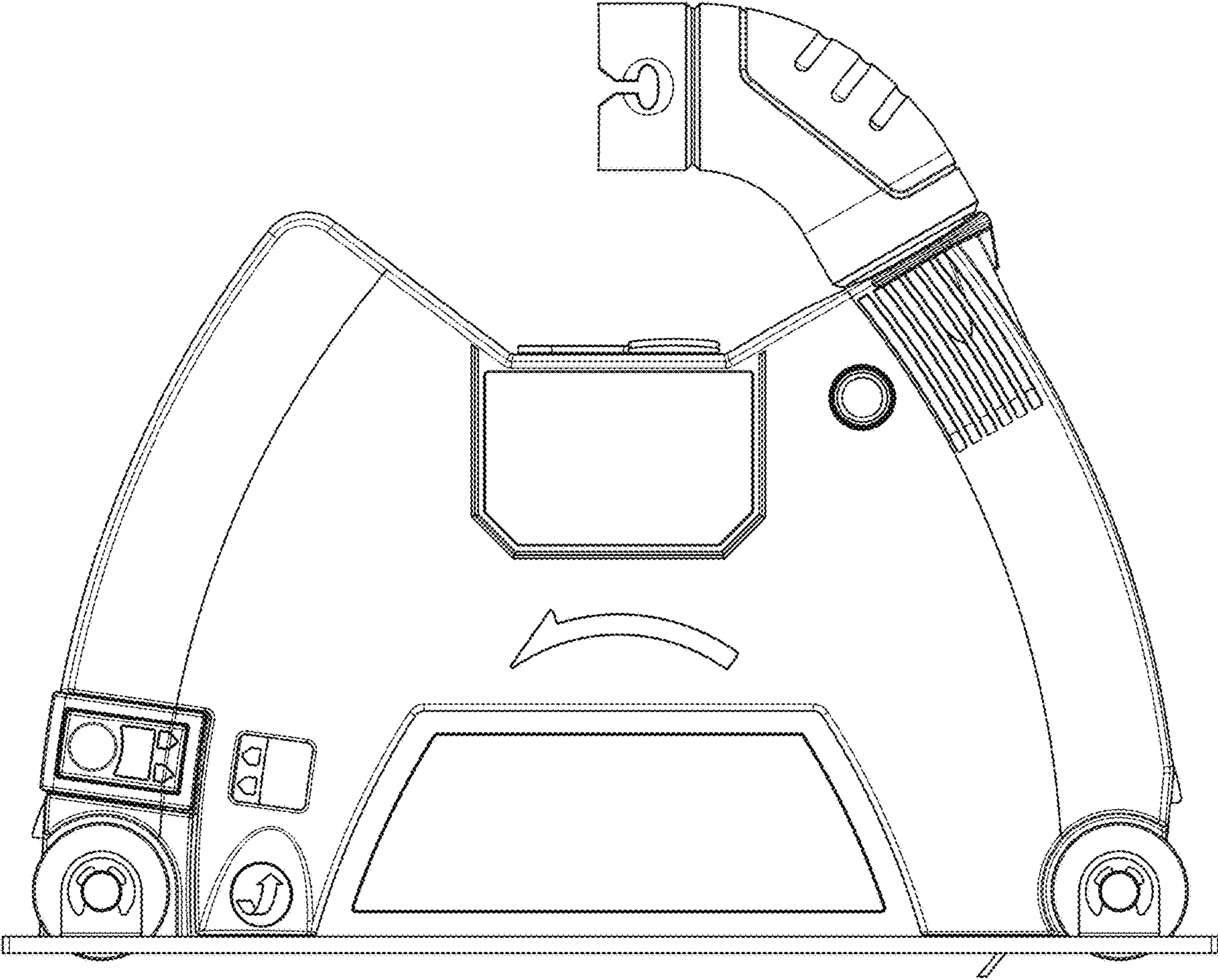
5.7



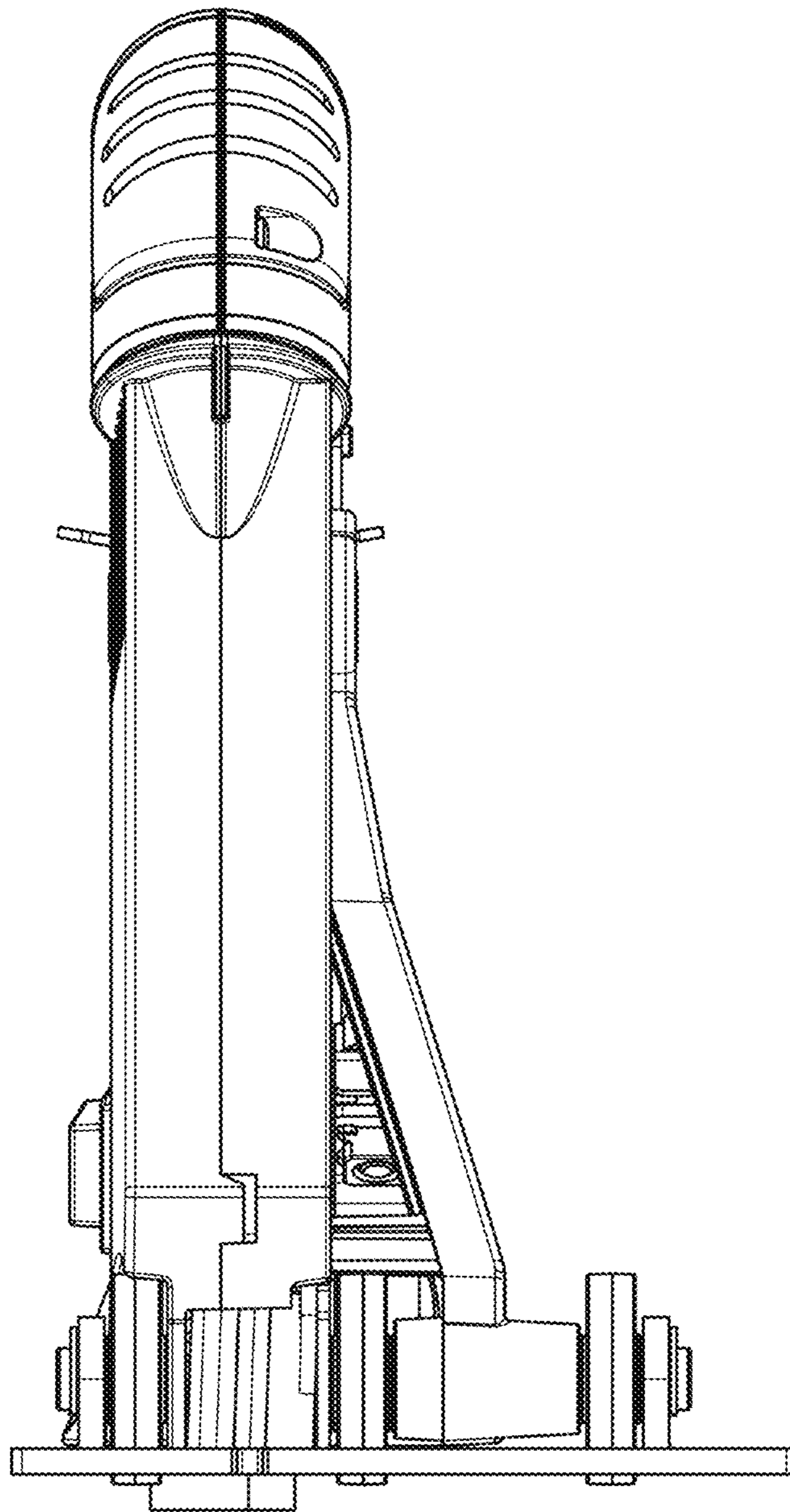
6.1



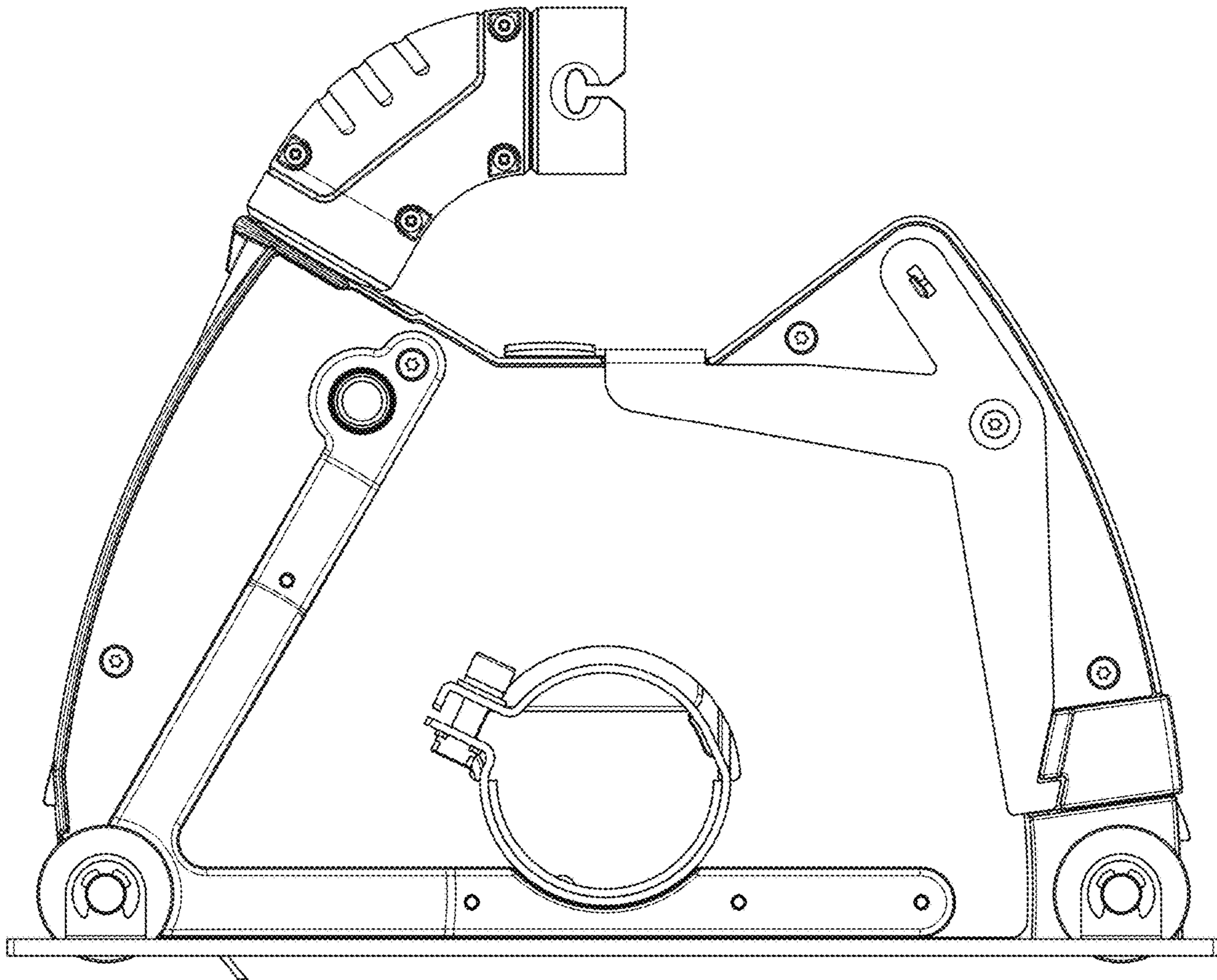
6.2



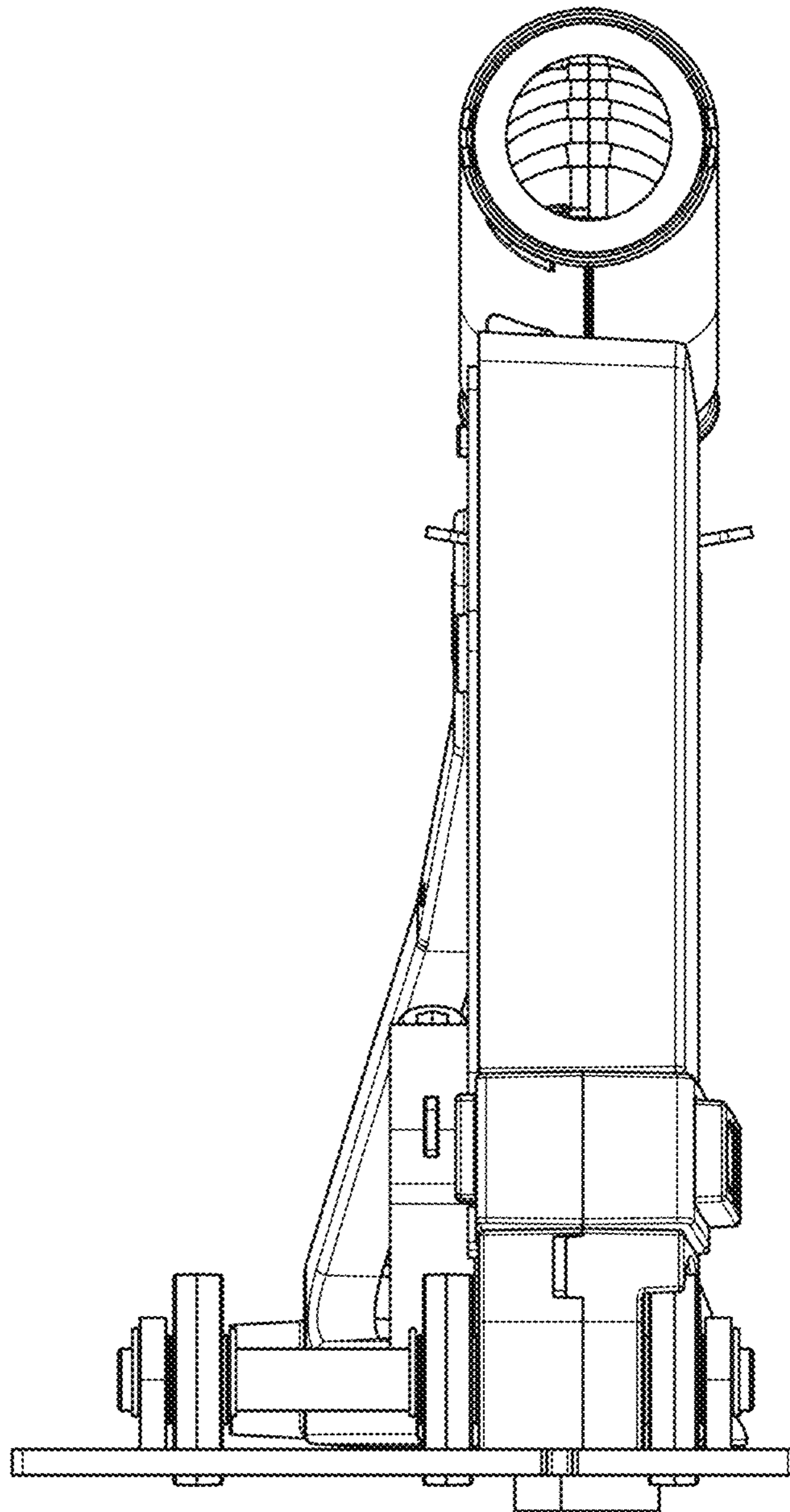
6.3



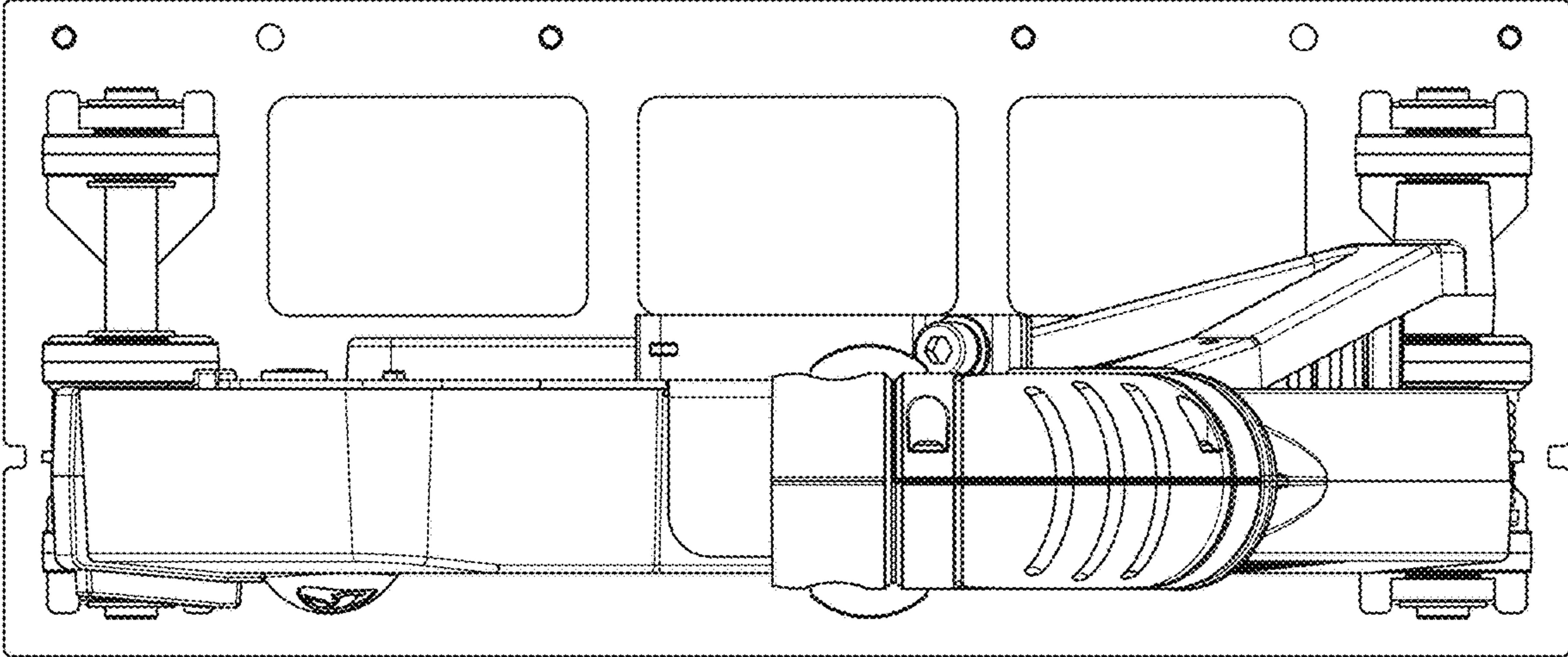
6.4



6.5



6.6



6.7

