



US00D926540S

(12) **United States Design Patent** (10) **Patent No.:** **US D926,540 S**
Ressler (45) **Date of Patent:** **** Aug. 3, 2021**

(54) **TENSIONING TOOL**
(71) Applicant: **Dutch Clips LLC**, Lancaster, PA (US)
(72) Inventor: **Thomas Ressler**, Reinholds, PA (US)
(73) Assignee: **Dutch Clips LLC**, Lancaster, PA (US)
(**) Term: **15 Years**
(21) Appl. No.: **29/766,504**
(22) Filed: **Jan. 15, 2021**
(51) **LOC (13) Cl.** **08-05**
(52) **U.S. Cl.**
USPC **D8/44; D8/367**
(58) **Field of Classification Search**
USPC D8/14, 19, 44, 71, 107, 349, 354, 356,
D8/373, 367, 371, 382, 383, 394
CPC .. F16B 45/00; B60J 1/04; A44B 13/00; A44B
13/0017; A44B 1300/23; A44B 1300/29;
Y10T 24/3484; Y10T 24/2175; Y10T
24/39; Y10T 24/3913; Y10T 24/3991
See application file for complete search history.

(56) **References Cited**

U.S. PATENT DOCUMENTS

1,366,212 A * 1/1921 Pollard F16G 11/00
24/129 B
4,831,692 A * 5/1989 Chuan F16G 11/046
24/129 B
D391,146 S * 2/1998 Cutler D8/367
D403,394 S * 12/1998 Erlandson D22/121
D649,792 S * 12/2011 Nosworthy D6/327
D694,613 S * 12/2013 Miles D8/367
D710,679 S * 8/2014 Miller D8/356
D745,377 S * 12/2015 Ressler D8/367
D753,985 S * 4/2016 Nelson D8/356
9,636,526 B2 * 5/2017 Galyan A62B 1/14
D801,788 S * 11/2017 Dershem D8/367
D805,879 S * 12/2017 Garcia D8/356

D814,276 S * 4/2018 Ressler D8/382
10,113,612 B2 * 10/2018 Hui F16G 11/103
D834,931 S * 12/2018 Ressler D8/382
D849,516 S * 5/2019 Johnson D8/367

(Continued)

Primary Examiner — Keli L Hill

Assistant Examiner — Harold E Blackwell, II

(74) *Attorney, Agent, or Firm* — Barley Snyder

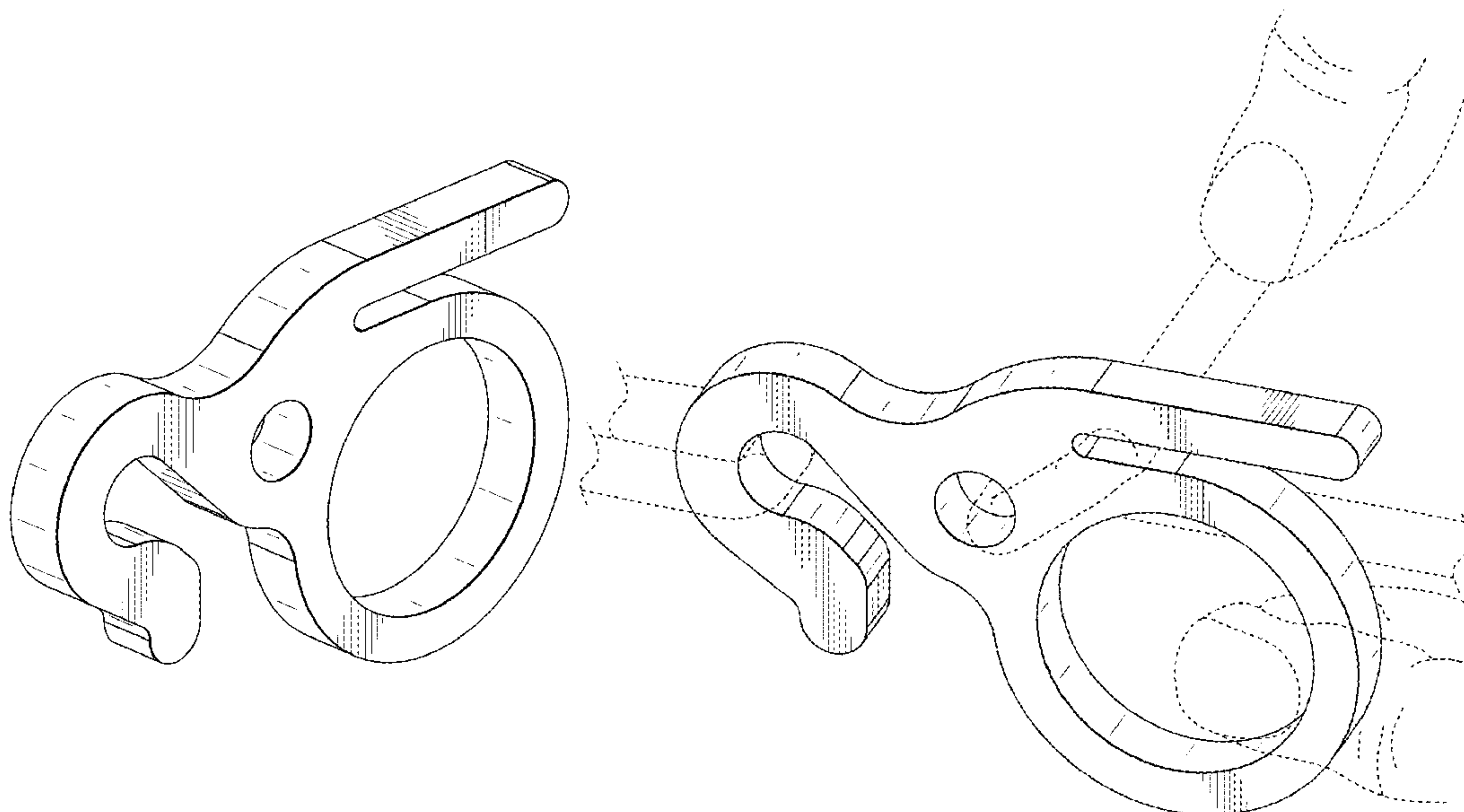
(57) **CLAIM**

The ornamental design for a tensioning tool, as shown and described.

DESCRIPTION

FIG. 1 is a top, front, and right side perspective view of the tensioning tool showing the new design;
FIG. 2 is a top, front, and left side perspective view of the tensioning tool showing the new design;
FIG. 3 is a front view of the tensioning tool showing the new design;
FIG. 4 is a rear view of the tensioning tool showing the new design;
FIG. 5 is a top view of the tensioning tool showing the new design;
FIG. 6 is a bottom view of the tensioning tool showing the new design;
FIG. 7 is a left side view of the tensioning tool showing the new design;
FIG. 8 is a right side view of the tensioning tool showing the new design;
FIG. 9 is a bottom, rear, and right side perspective view of the tensioning tool showing the new design; and,
FIG. 10 is a top, rear, and right side perspective view of the tensioning tool showing the new design. The dotted lines shown in FIG. 10 represent human thumbs and a rope and are included for the purpose of illustrating the manner in which the tensioning tool showing the new design can be used and form no part of the claimed design.

1 Claim, 4 Drawing Sheets



(56)

References Cited

U.S. PATENT DOCUMENTS

10,517,357	B2 *	12/2019	Ressler	A44B 11/18
10,653,211	B2 *	5/2020	Ressler	A44B 11/02
10,704,648	B2 *	7/2020	Ressler	F16G 11/12
D893,986	S *	8/2020	Adelman	D8/367
10,927,882	B2 *	2/2021	Ressler	E04H 15/64
2010/0024177	A1 *	2/2010	Hayes	F16B 45/00 24/588.1
2015/0176678	A1 *	6/2015	Burrell	F16G 11/14 24/129 R
2016/0066658	A1 *	3/2016	Breen	B60P 7/0823 24/130

* cited by examiner

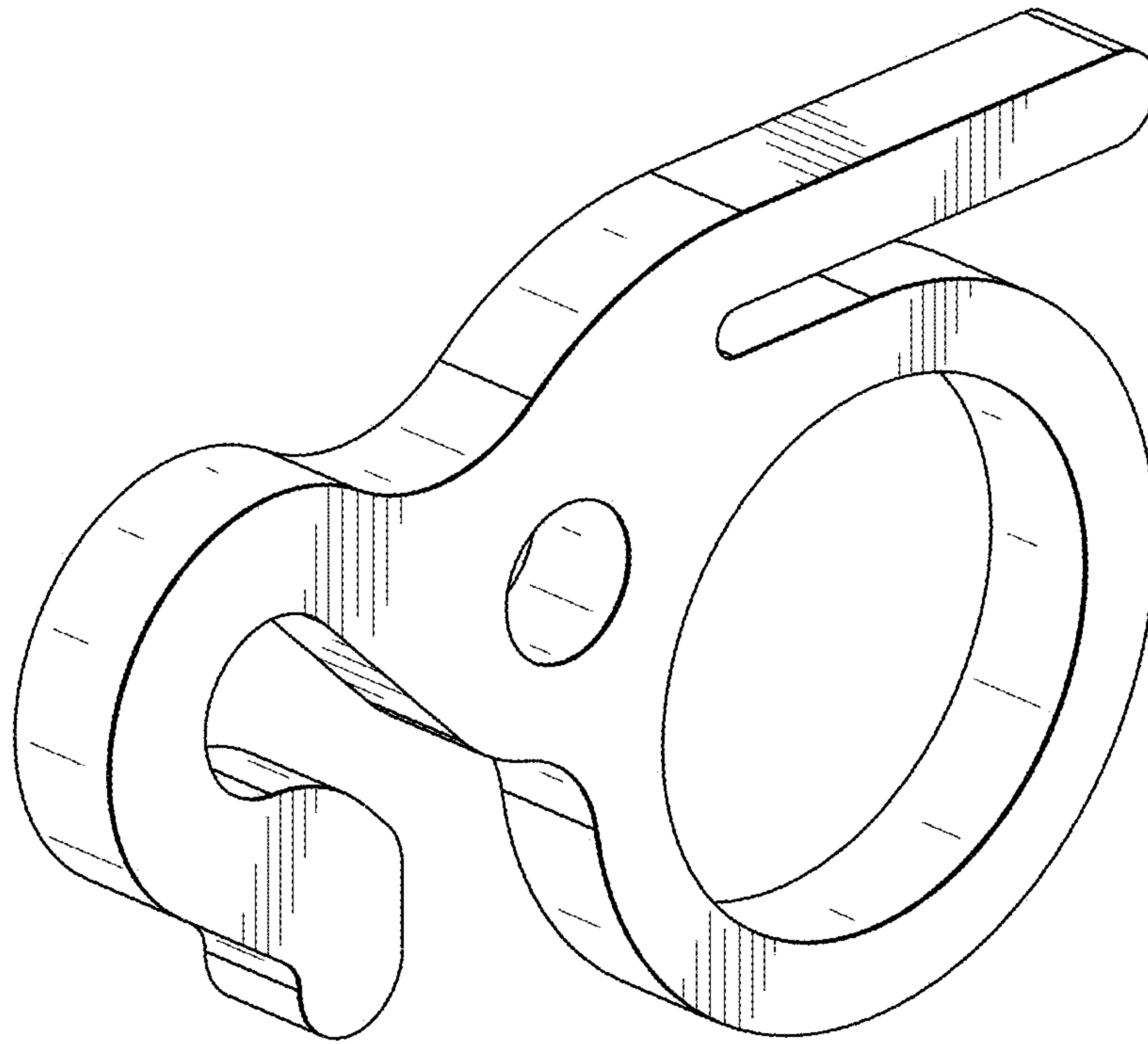


FIG. 1

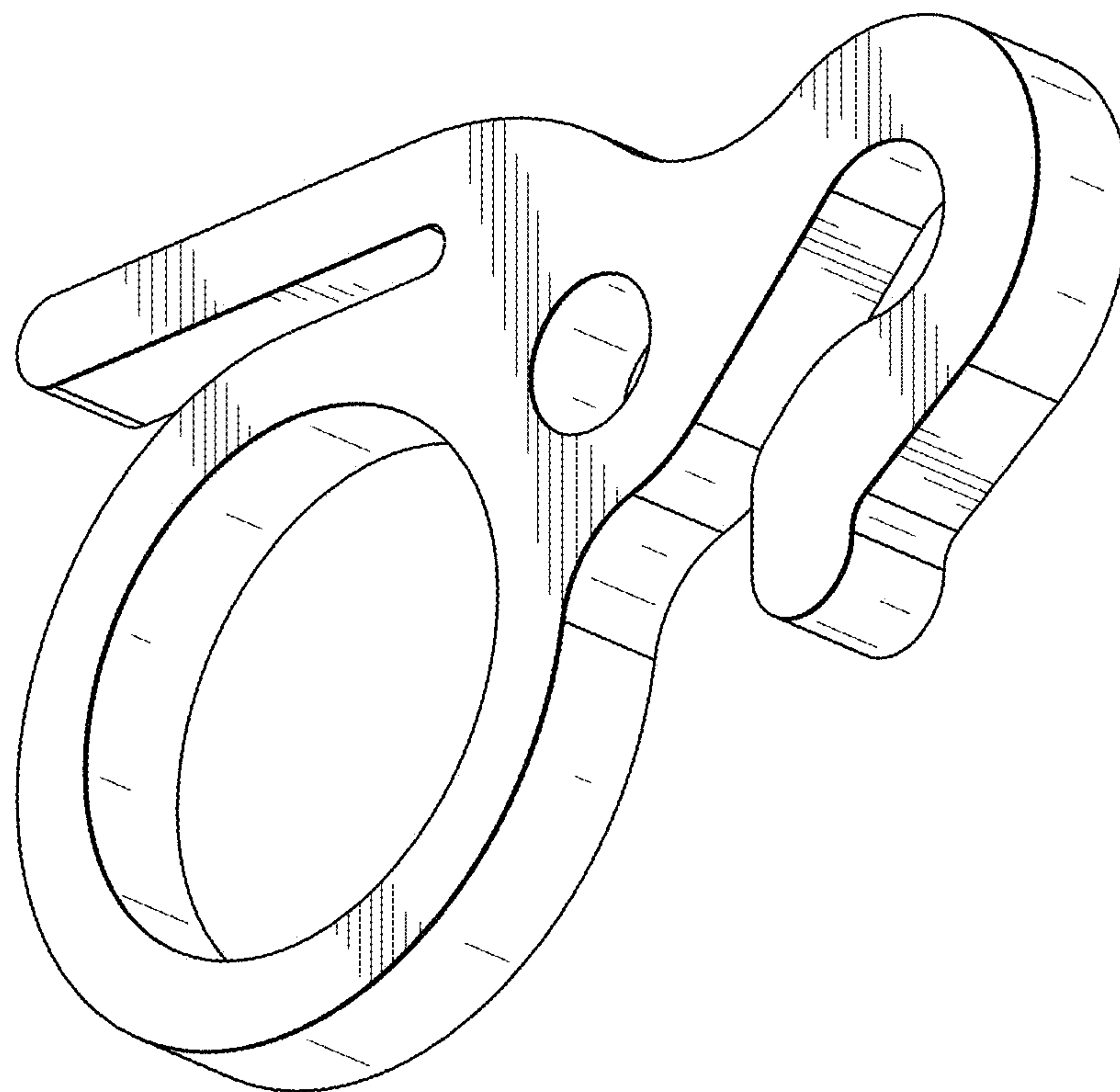


FIG. 2

FIG. 3

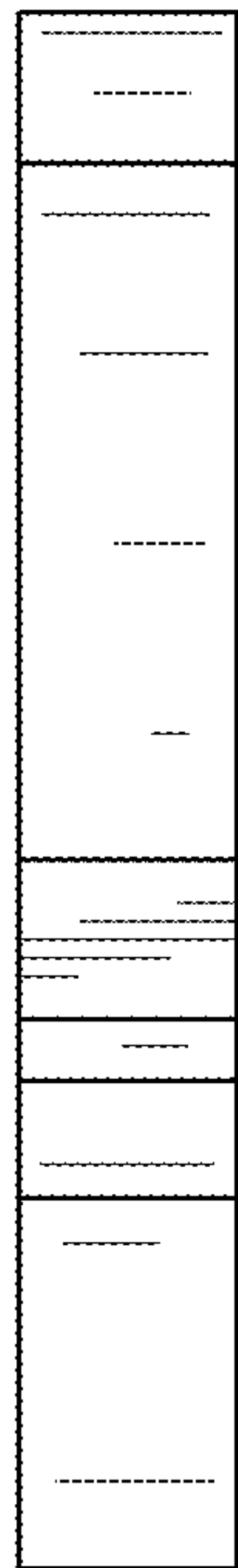


FIG. 4

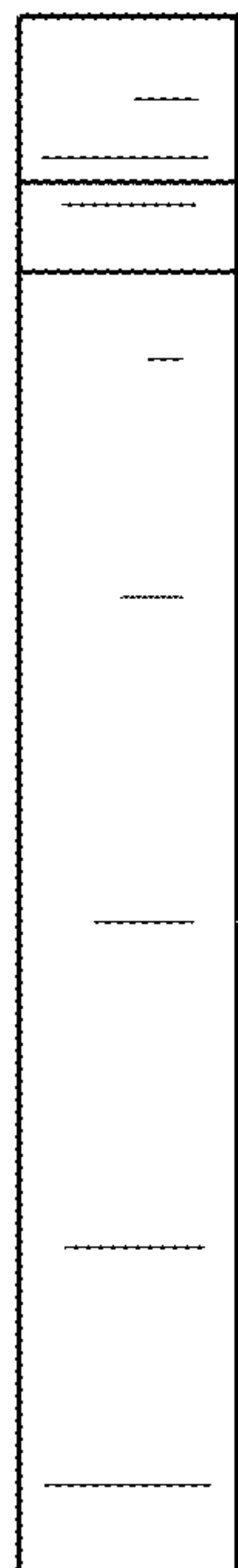


FIG. 5

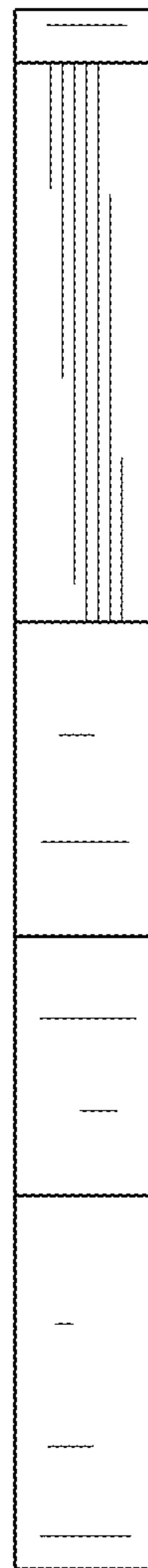


FIG. 6



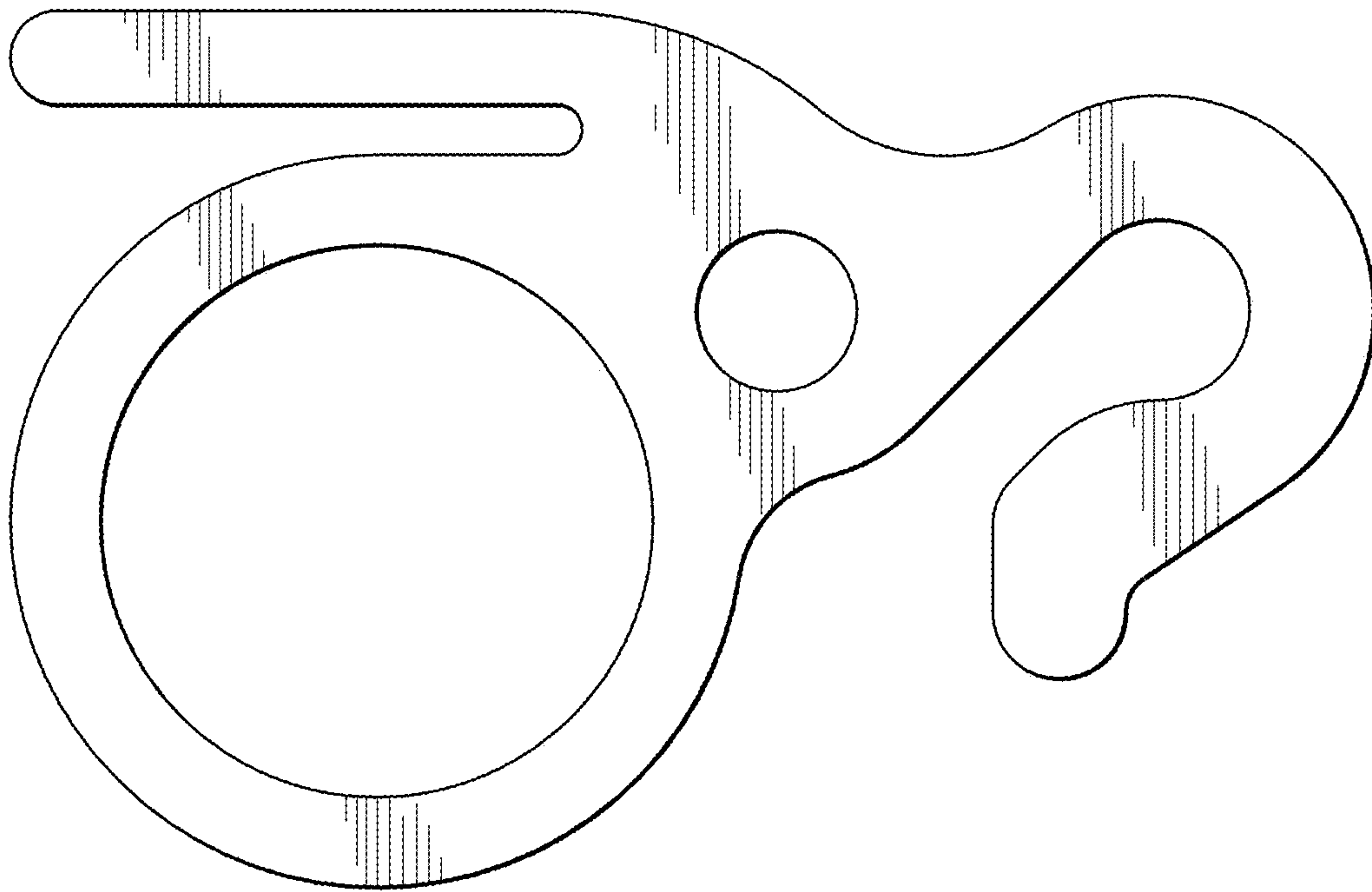


FIG. 7

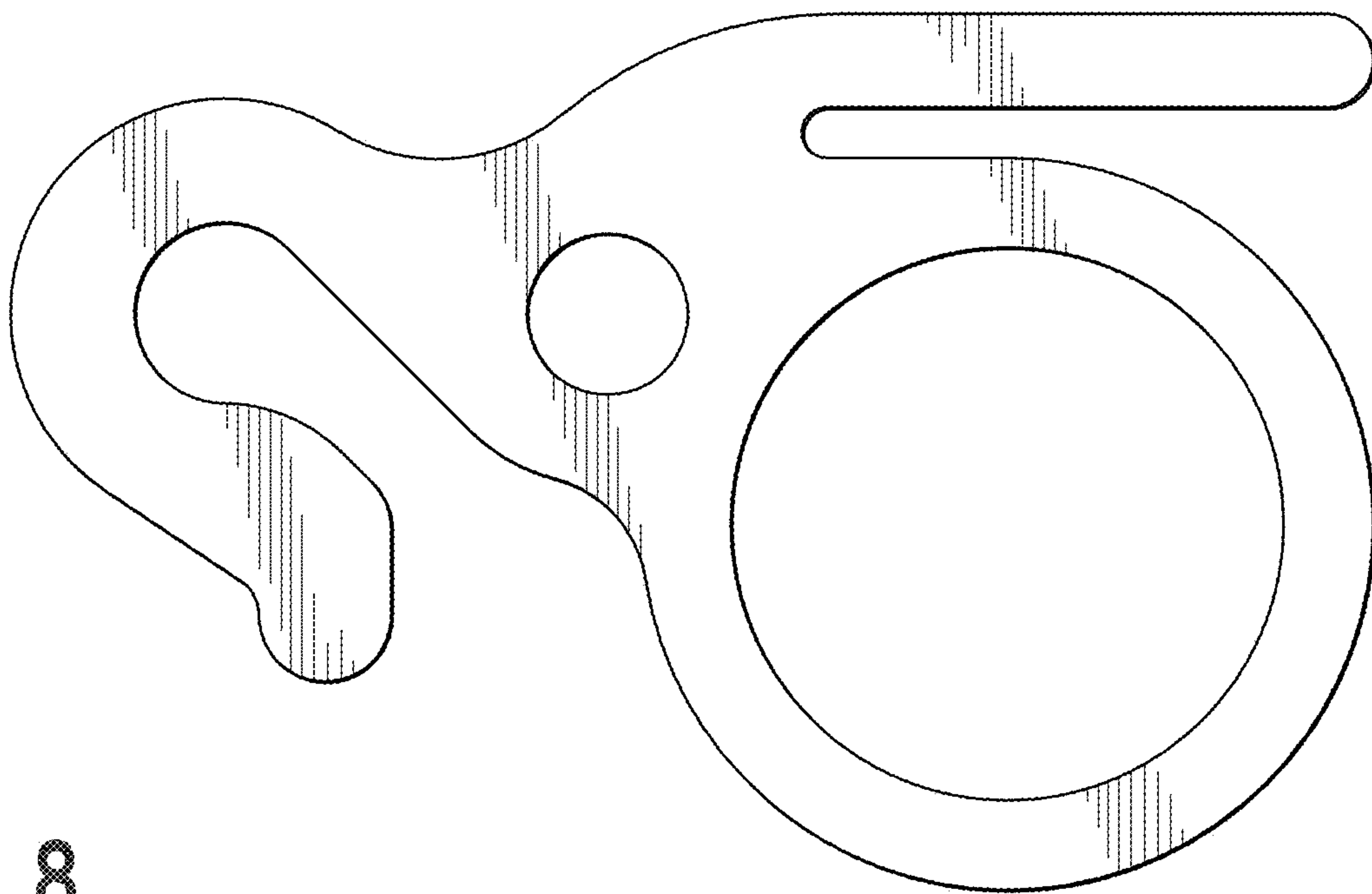


FIG. 8

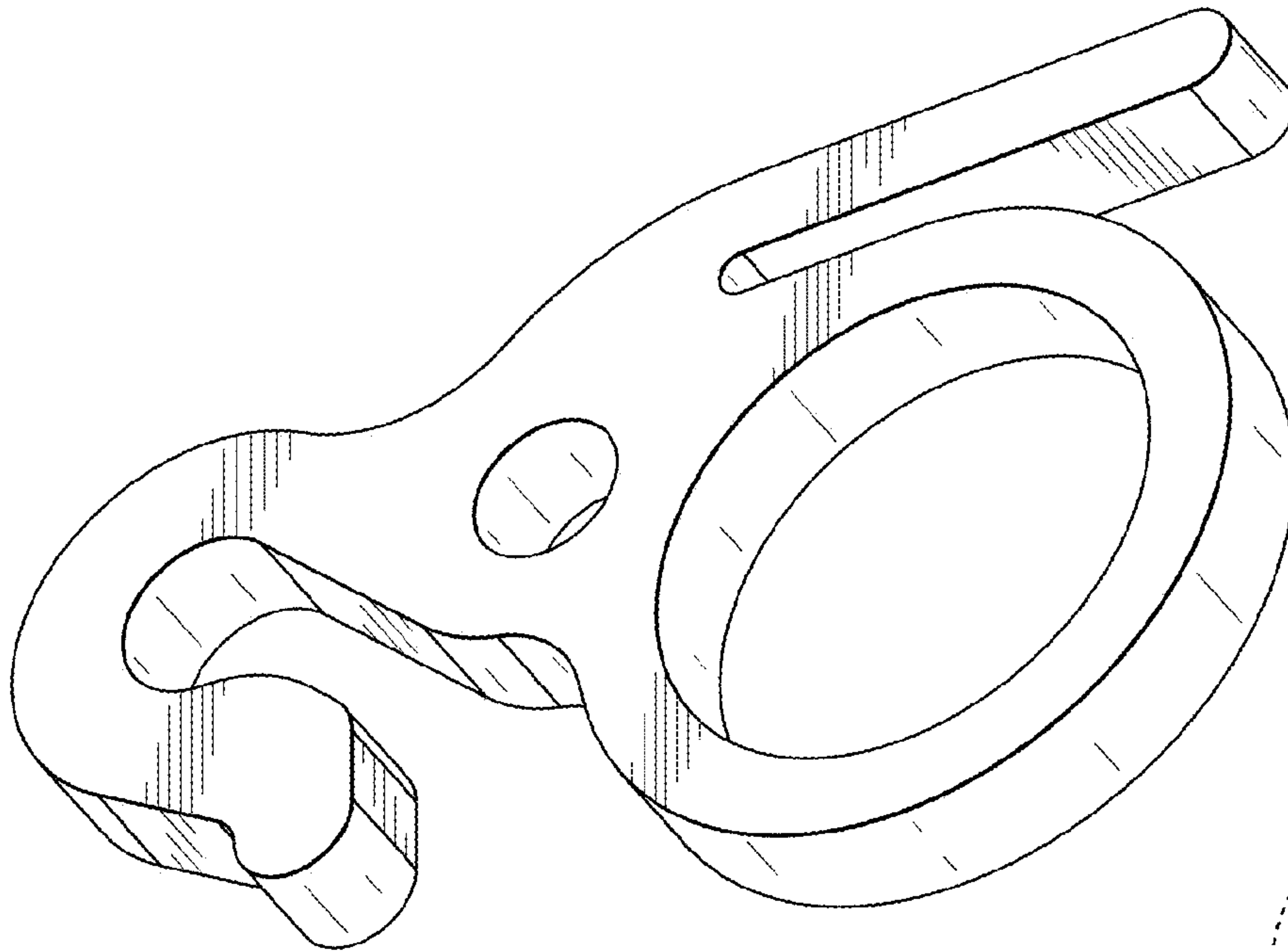


FIG. 9

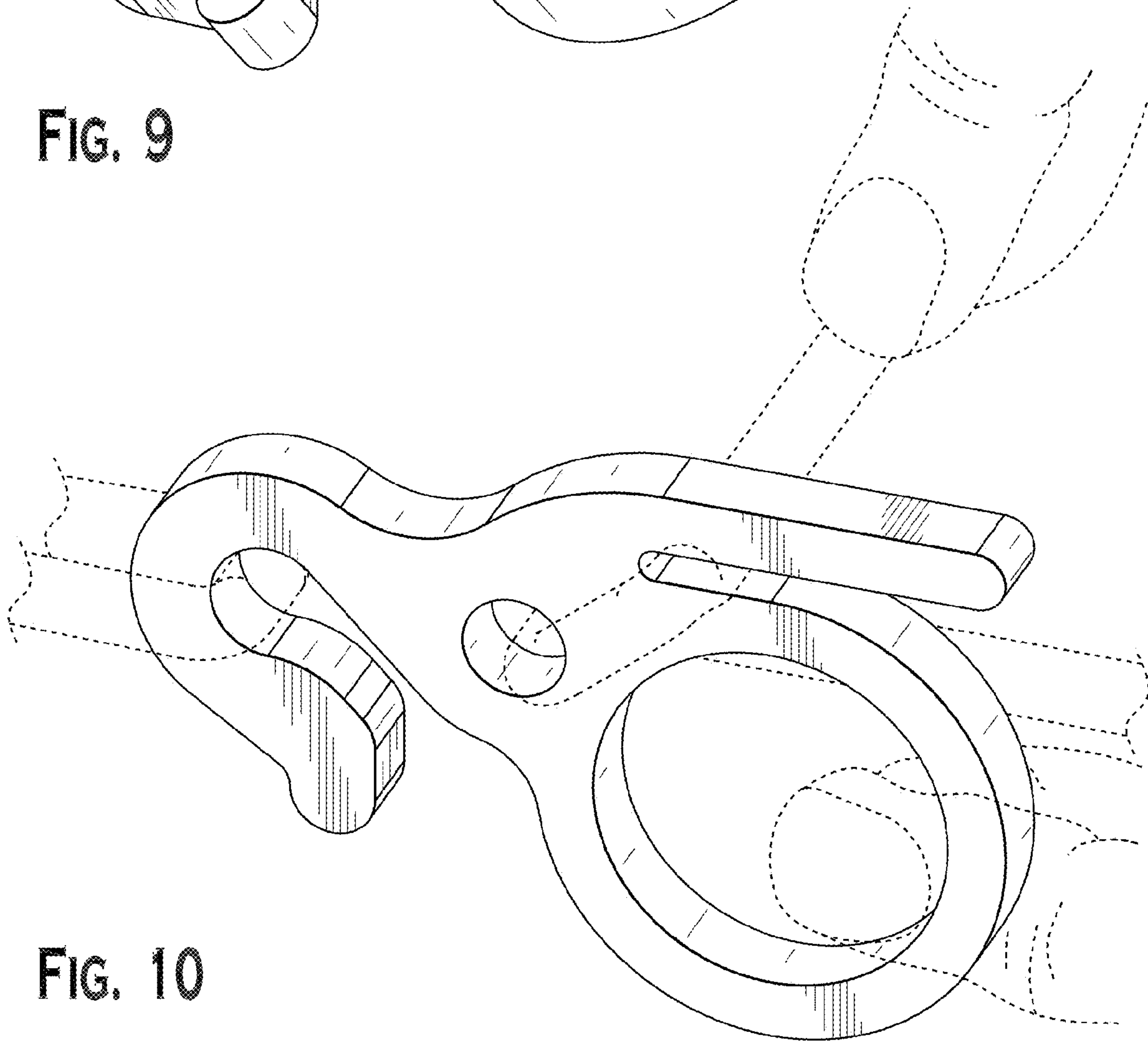


FIG. 10