



US00D926537S

(12) **United States Design Patent** (10) **Patent No.:** **US D926,537 S**
Scaroni et al. (45) **Date of Patent:** **** Aug. 3, 2021**

(54) **PRODUCE CORING TOOL**
(71) Applicants: **David W. Scaroni**, Salinas, CA (US);
Matthew S. Scaroni, El Centro, CA
(US); **Stephen M. Scaroni**, Heber, CA
(US)
(72) Inventors: **David W. Scaroni**, Salinas, CA (US);
Matthew S. Scaroni, El Centro, CA
(US); **Stephen M. Scaroni**, Heber, CA
(US)

D420,868 S * 2/2000 Hasegawa D7/696
D422,854 S * 4/2000 Wallays D7/696
D526,544 S * 8/2006 Settele D7/693
D610,884 S * 3/2010 Rabanal D7/693
D706,094 S * 6/2014 Griffin D7/693
D727,692 S * 4/2015 Samuel D7/693
D755,587 S * 5/2016 Melia A47J 43/14
D793,182 S * 8/2017 Meguess D7/693
D839,692 S * 2/2019 Meyer, Sr. D7/693
2006/0288582 A1* 12/2006 Settele A01F 5/00
30/121.5

(**) Term: **15 Years**

(21) Appl. No.: **29/706,776**

(22) Filed: **Sep. 24, 2019**

(51) **LOC (13) Cl.** **07-06**

(52) **U.S. Cl.**
USPC **D7/693**

(58) **Field of Classification Search**
USPC D7/693-696
CPC . A47J 17/02; A47J 23/00; A47J 25/00; B26D
3/169; B36D 3/16

See application file for complete search history.

(56) **References Cited**

U.S. PATENT DOCUMENTS

D144,192 S * 3/1946 Kahler D7/695
4,090,296 A * 5/1978 Di Piero A47J 25/00
30/113.1
4,970,786 A * 11/1990 Harper A47J 17/04
30/113.1
D355,339 S * 2/1995 Aulbers D7/696

FOREIGN PATENT DOCUMENTS

IT BS2001O000027 * 7/2001

* cited by examiner

Primary Examiner — Janice Hallmark

Assistant Examiner — Omeed Agilee

(74) *Attorney, Agent, or Firm* — Kali Law Group, P.C.

(57) **CLAIM**

The ornamental design for a produce coring tool, as shown and described.

DESCRIPTION

FIG. 1 is a perspective view of a produce coring tool showing the new design;

FIG. 2 is a rear elevation view thereof;

FIG. 3 is a front elevation view thereof;

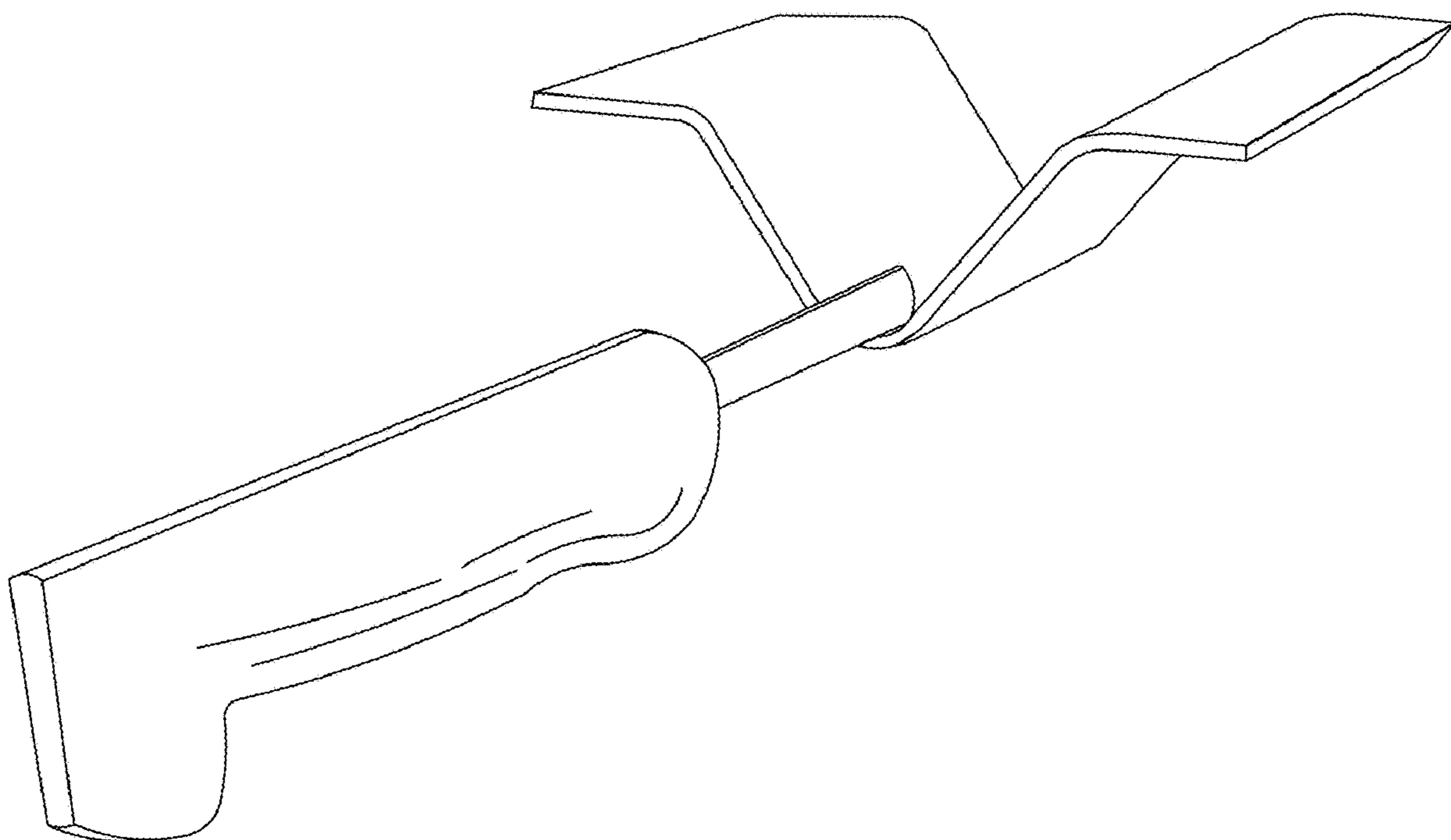
FIG. 4 is a right side elevation view thereof;

FIG. 5 is a left side elevation view thereof;

FIG. 6 is a top plan view thereof; and,

FIG. 7 is a bottom plan view thereof.

1 Claim, 3 Drawing Sheets



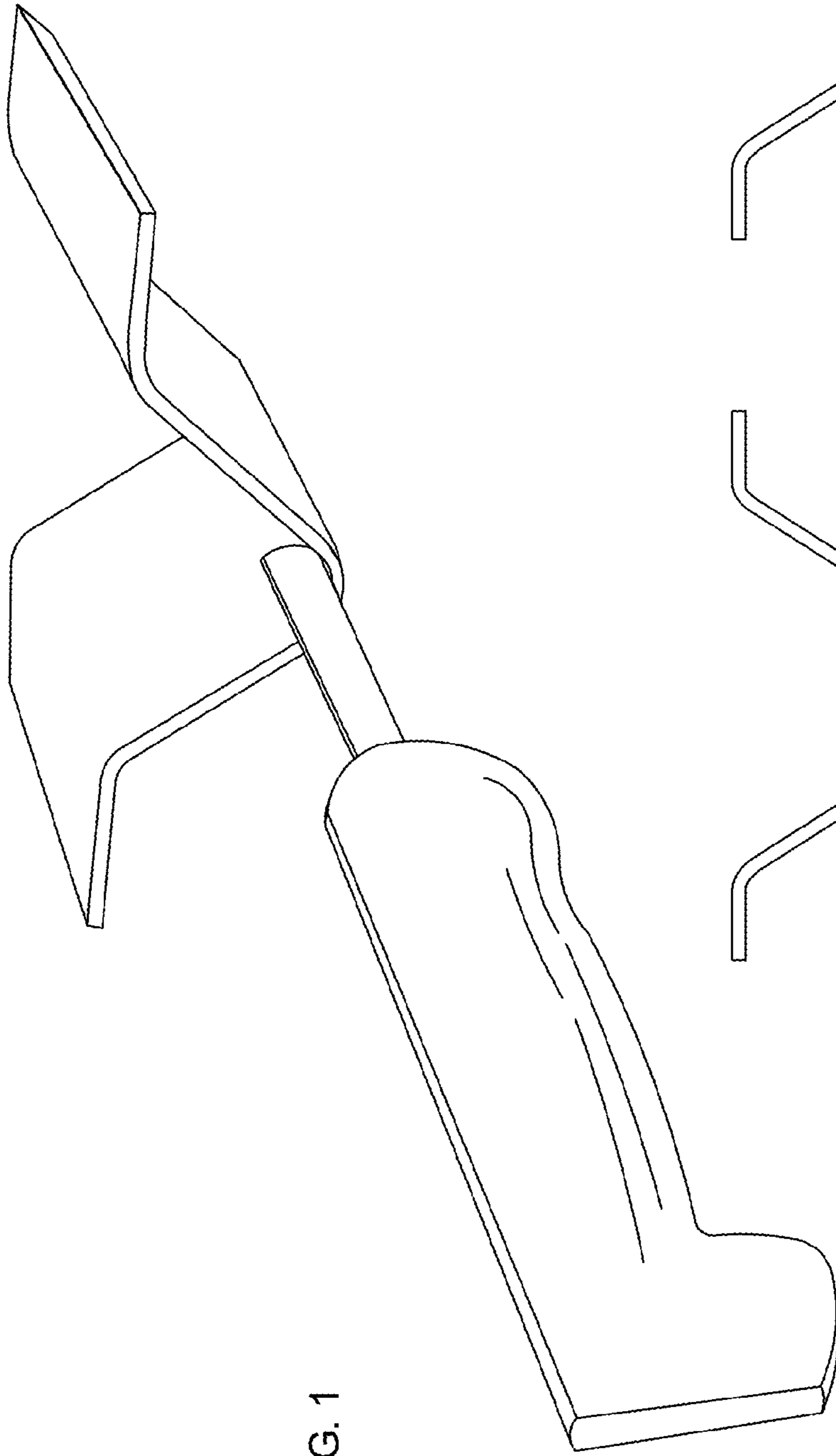


FIG. 1

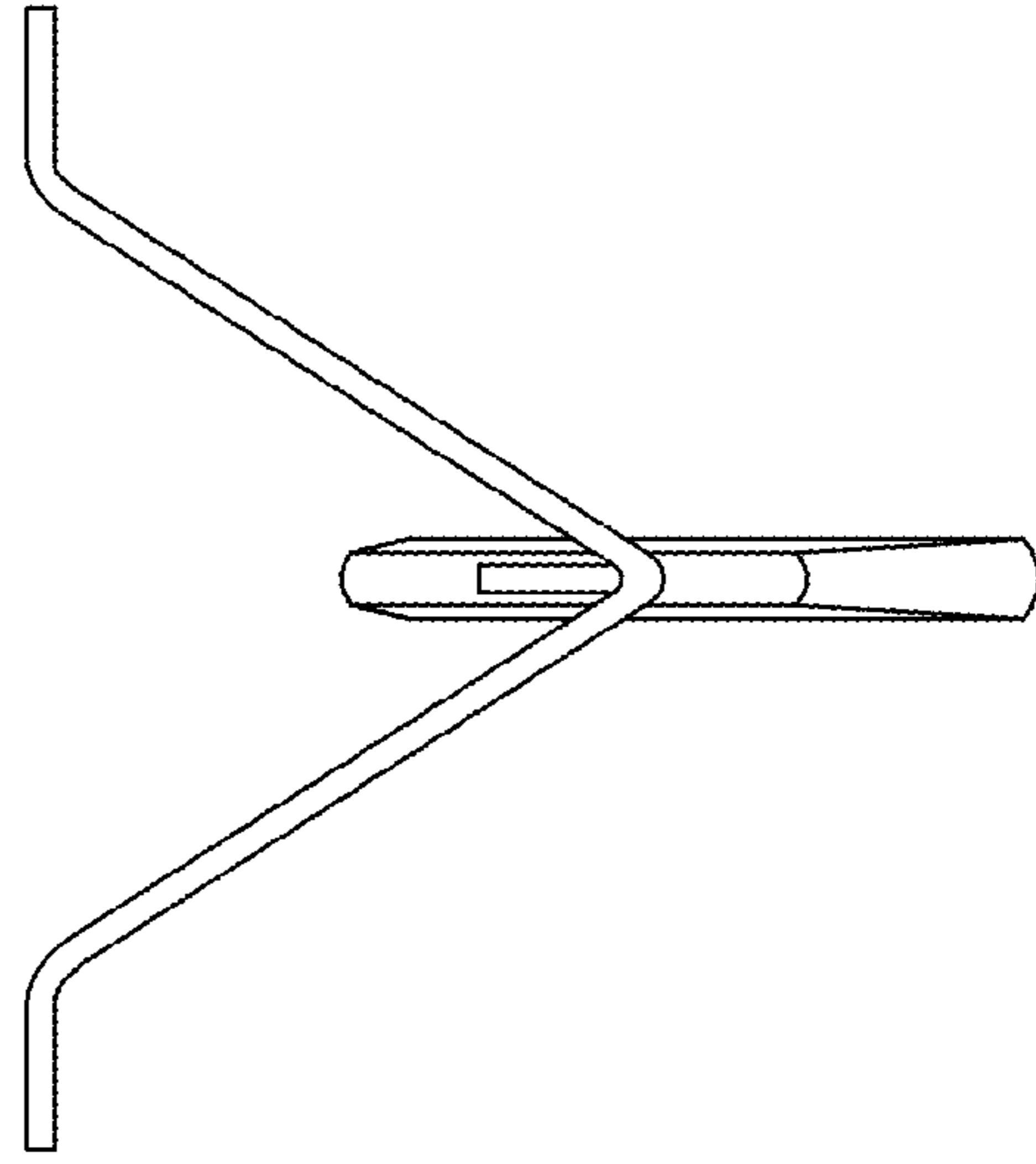


FIG. 2

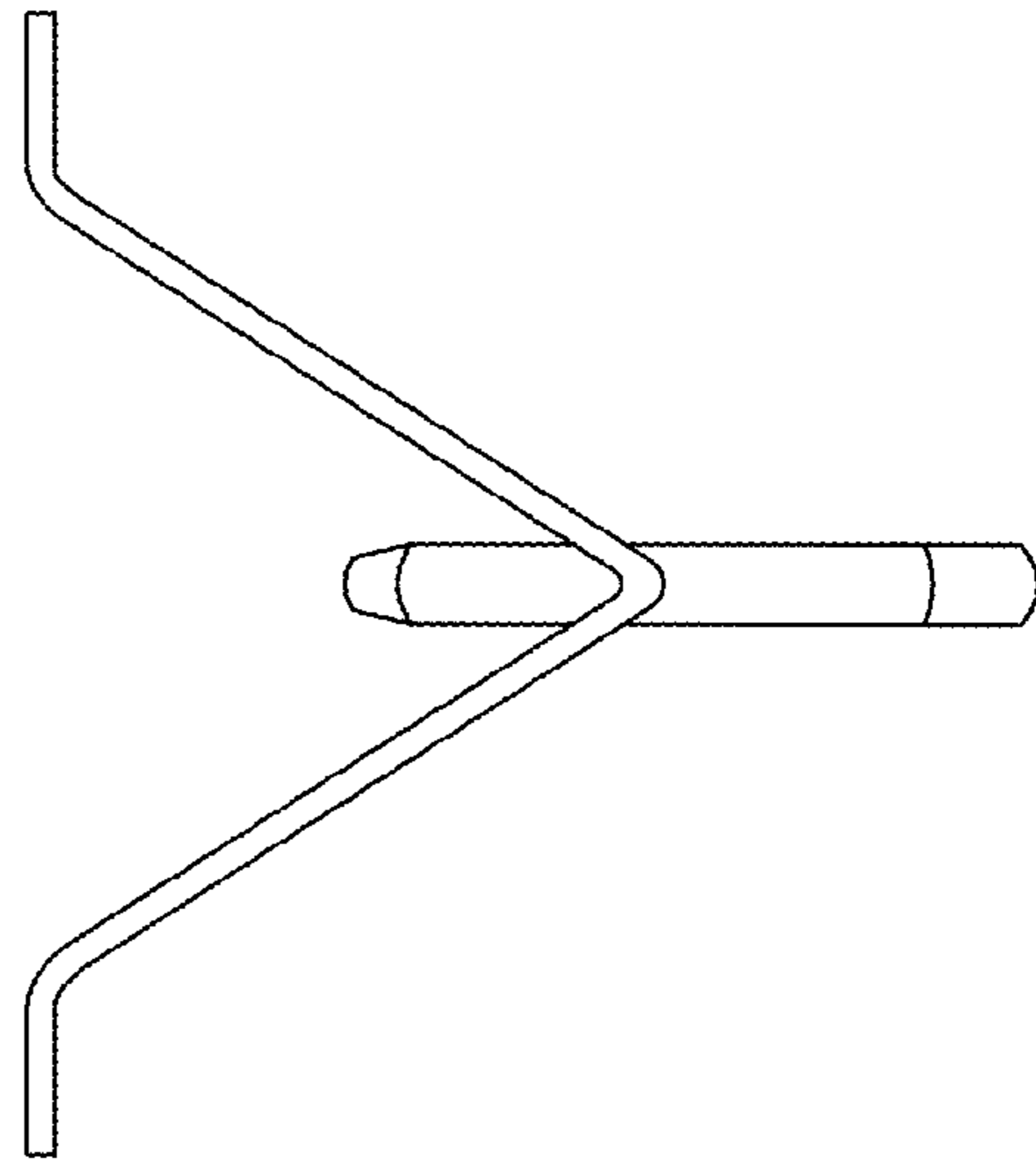


FIG. 3

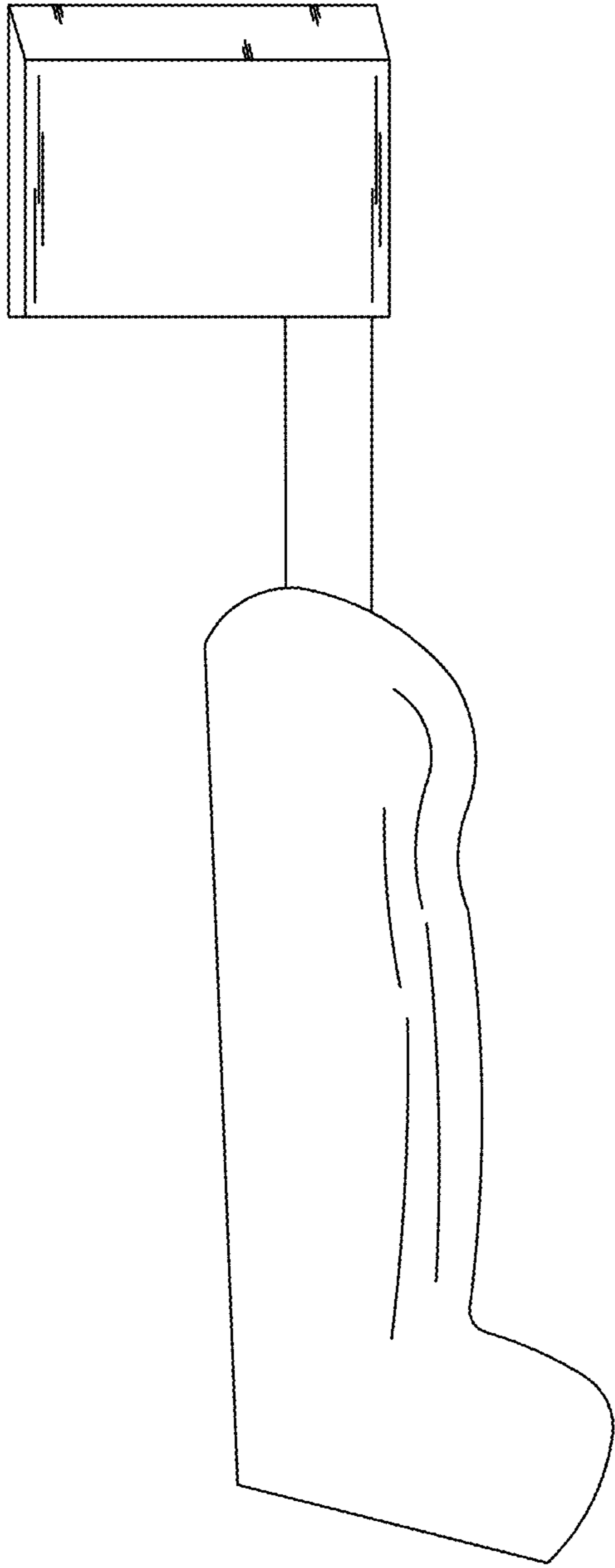


FIG. 4

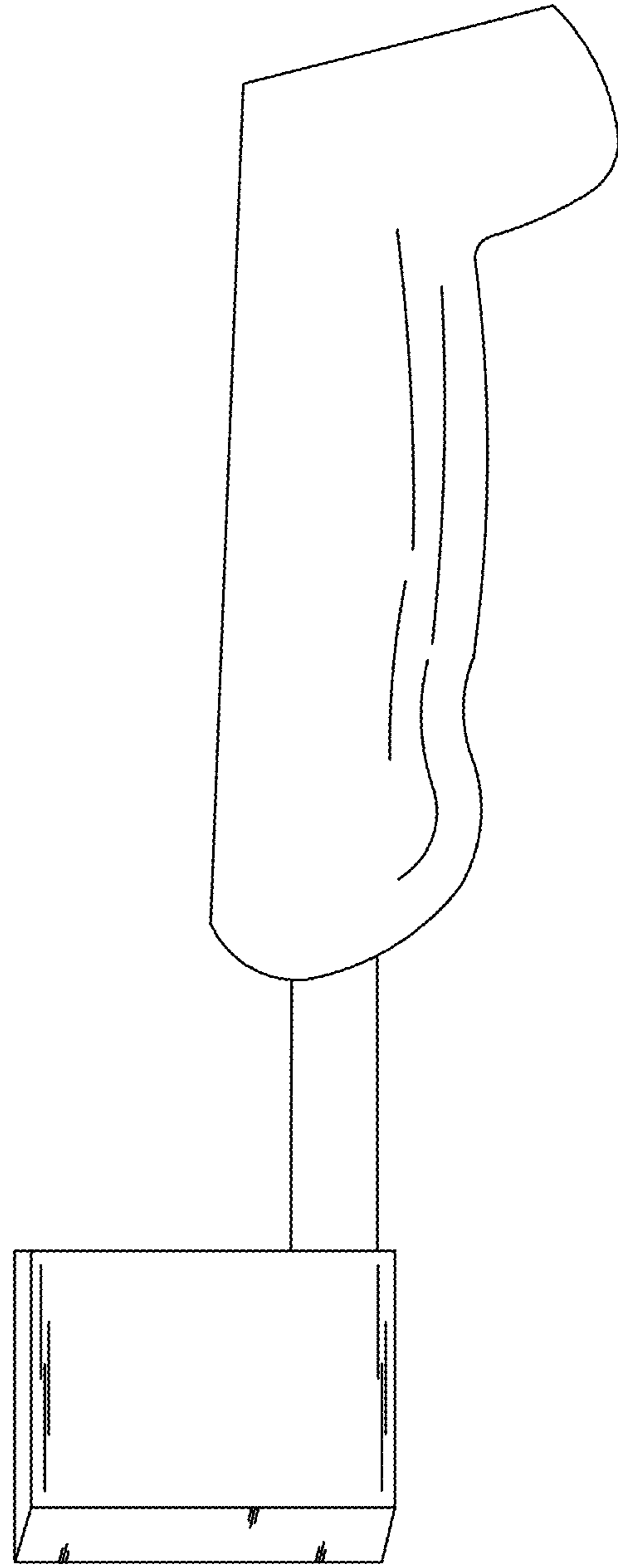


FIG. 5

FIG. 6

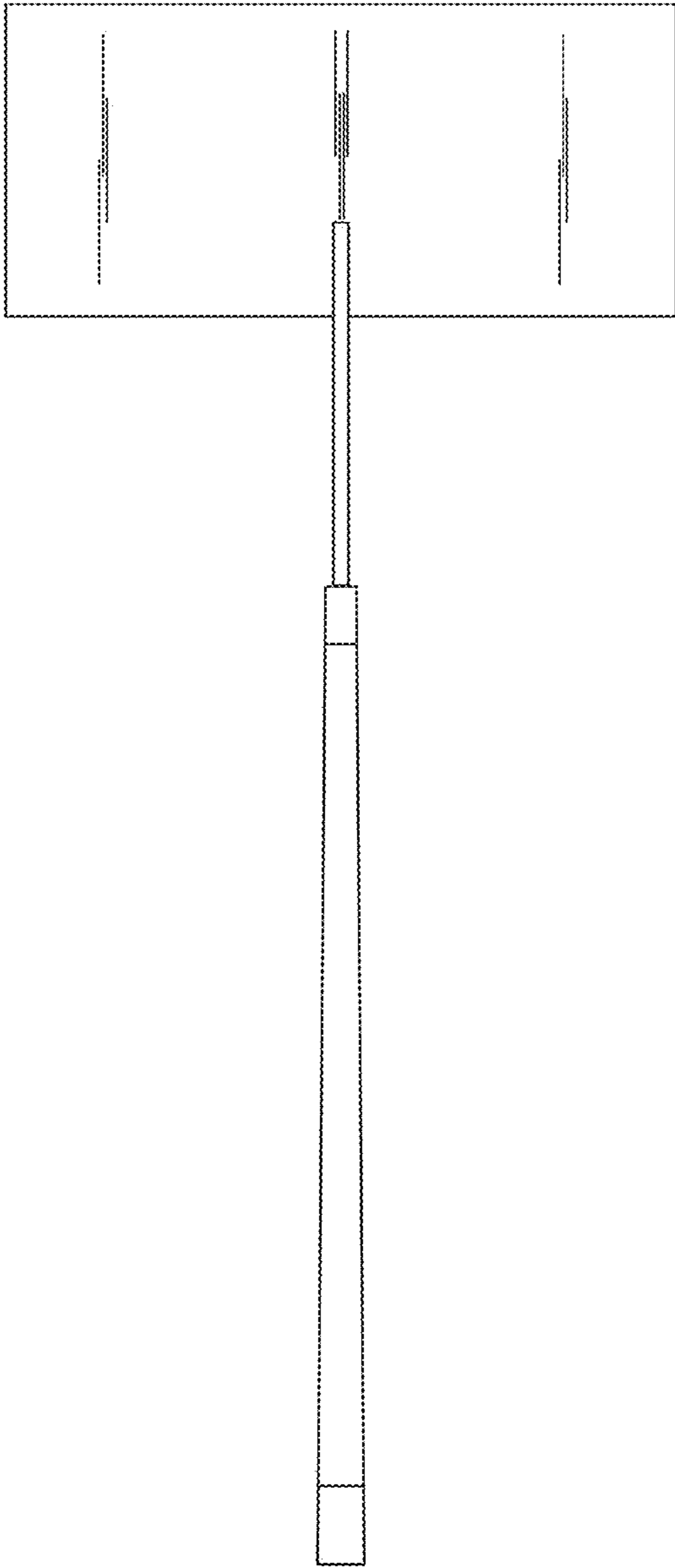


FIG. 7

