



US00D926535S

(12) **United States Design Patent**
Ferrell

(10) **Patent No.:** **US D926,535 S**

(45) **Date of Patent:** **** Aug. 3, 2021**

(54) **UTENSIL**

(71) Applicant: **Lindsey Ferrell**, Lakeland, TN (US)

(72) Inventor: **Lindsey Ferrell**, Lakeland, TN (US)

(**) Term: **15 Years**

(21) Appl. No.: **29/728,754**

(22) Filed: **Mar. 20, 2020**

(51) **LOC (13) Cl.** **07-03**

(52) **U.S. Cl.**

USPC **D7/653**; D7/401.2

(58) **Field of Classification Search**

USPC D7/368, 393, 401.2, 591, 642-645,
D7/653-664, 669, 675-677, 683,
D7/688-689, 691; D8/107, 300-301;
D19/181, 194, 201, 203; D22/117-118
CPC ... A01D 9/02; A01D 9/04; A01D 9/06; A47G
21/00; A47G 21/004; A47G 21/005;
A47G 21/02; A47G 21/023; A47G 21/04;
A47G 21/06; A47G 21/08; A47J 43/28;
A47J 43/281; A47J 43/282; A61F 13/10;
A61J 7/0023; B25G 1/00; B25G 1/01;
B25G 1/02; B25G 3/00; B65D 75/56;
B65D 75/563; B65D 75/566; B67B 7/00;
B67B 7/724; B67B 7/73

See application file for complete search history.

(56) **References Cited**

U.S. PATENT DOCUMENTS

D15,048 S * 6/1884 Dominick D7/653
D295,421 S * 4/1988 Young 401/209

D417,122 S * 11/1999 Jagger D7/401.2
D421,626 S * 3/2000 Brock D19/203
D425,118 S * 5/2000 Platts D19/201
D438,056 S * 2/2001 Lai D7/401.2
D476,862 S * 7/2003 Jagger D7/645
D564,288 S * 3/2008 Collins D7/393
D593,808 S * 6/2009 Sugama D7/591
D596,235 S * 7/2009 Tsai D19/194
D690,993 S * 10/2013 Im D7/401.2
D852,579 S * 7/2019 Greenwald D7/401.2
D881,645 S * 4/2020 Ferrell D7/401.2

* cited by examiner

Primary Examiner — Ricky Pham

(74) *Attorney, Agent, or Firm* — Baker Donelson

(57) **CLAIM**

The ornamental design for a utensil, as shown and described.

DESCRIPTION

FIG. 1 is a front, top perspective view of the utensil according to the present invention.

FIG. 2 is a front view of the utensil as shown in FIG. 1.

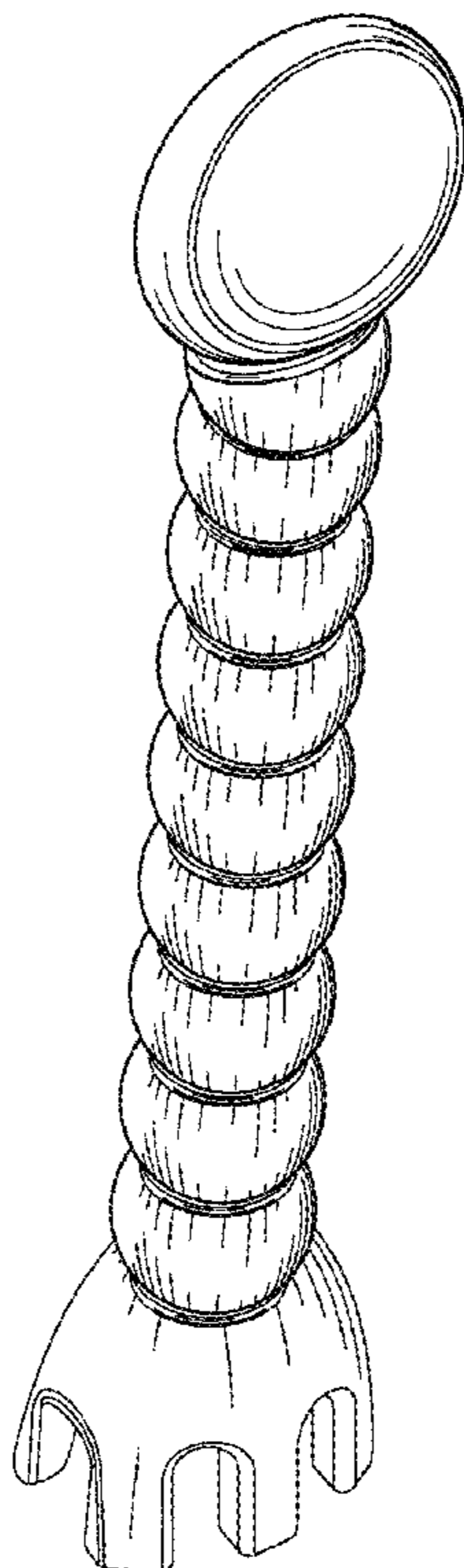
FIG. 3 is a rear view of the utensil as shown in FIG. 1.

FIG. 4 is a left side view of the utensil as shown in FIG. 1.

FIG. 5 is a right side view of the utensil as shown in FIG. 1.

FIG. 6 is a top view of the utensil as shown in FIG. 1; and, FIG. 7 is a bottom view of the utensil as shown in FIG. 1.

1 Claim, 4 Drawing Sheets



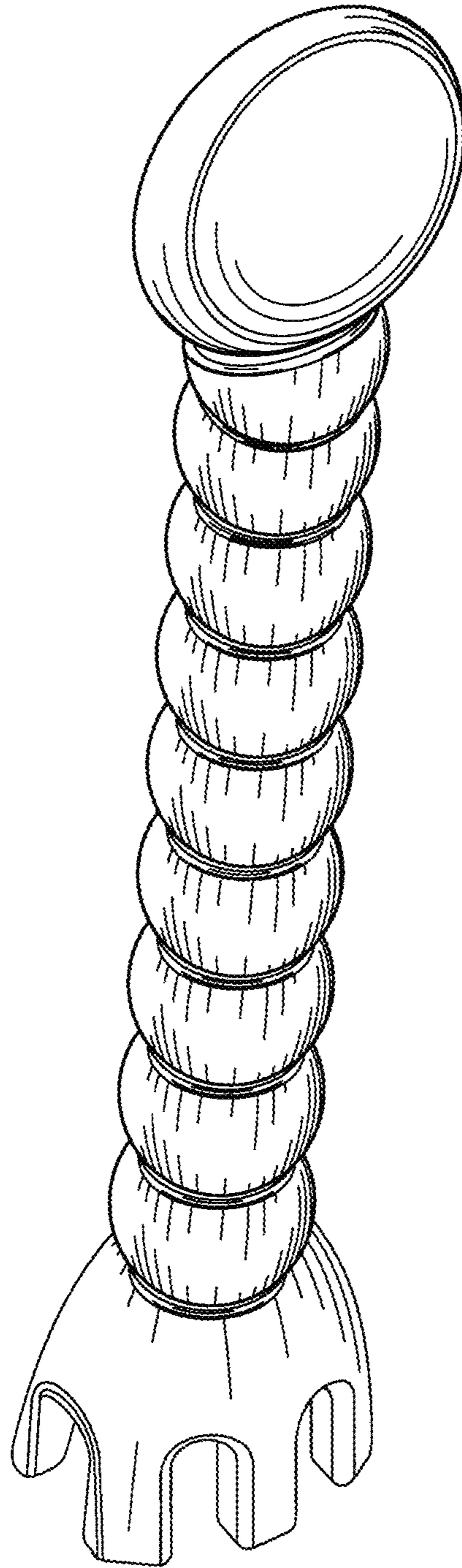


FIG. 1

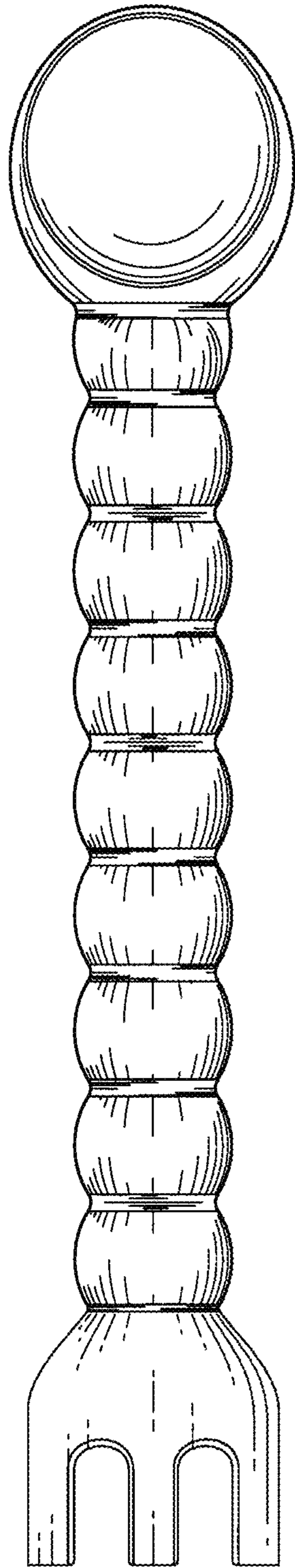


FIG. 2

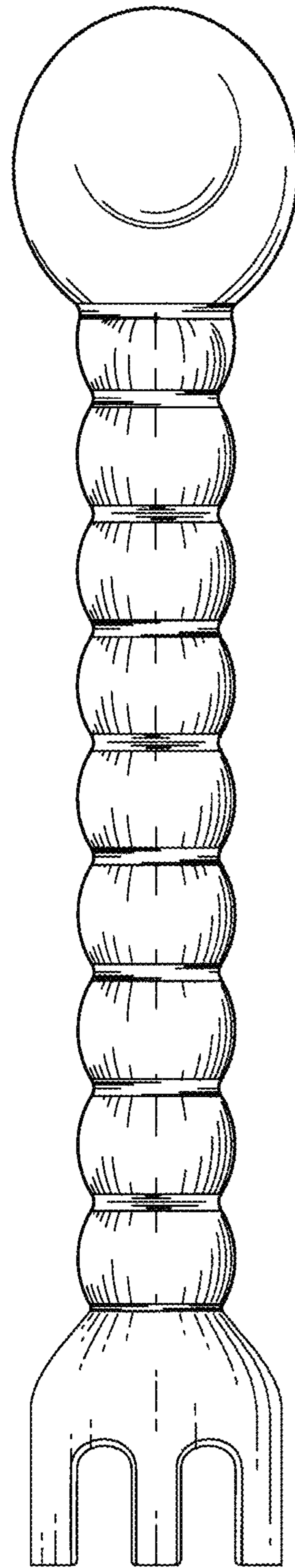


FIG. 3

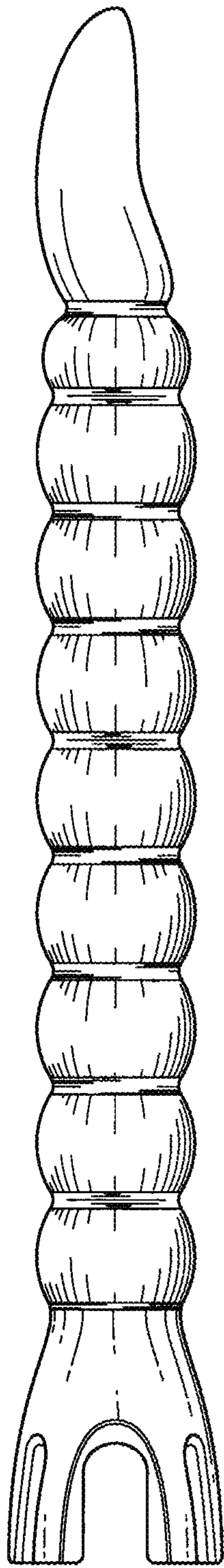


FIG. 4

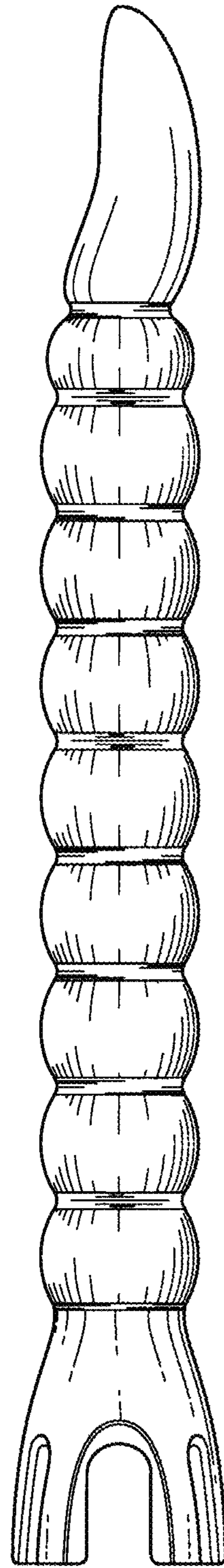


FIG. 5

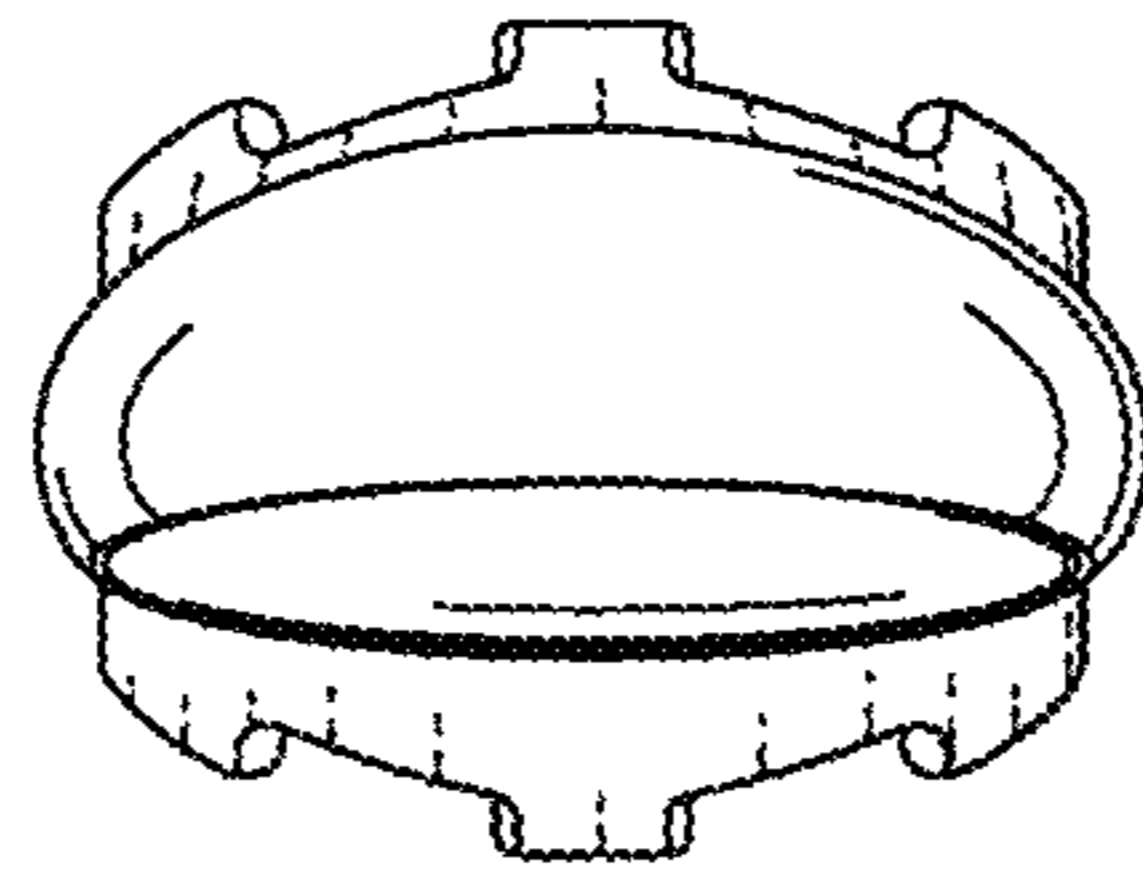


FIG. 6

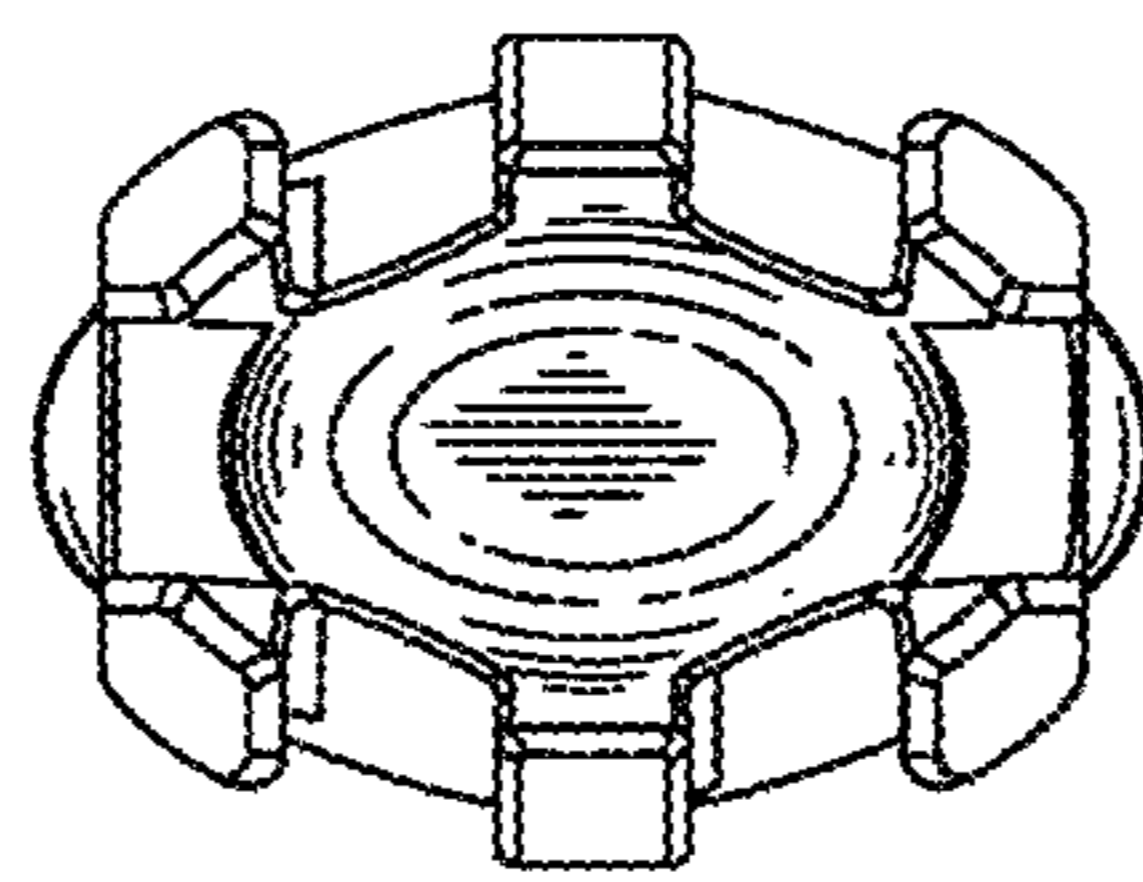


FIG. 7