



US00D926528S

(12) **United States Design Patent**  
**Brown**

(10) **Patent No.:** **US D926,528 S**

(45) **Date of Patent:** **\*\* Aug. 3, 2021**

(54) **COMBINED LID AND SERVING DISH**

(71) Applicant: **Heath Brown**, Sandy, UT (US)

(72) Inventor: **Heath Brown**, Sandy, UT (US)

(\*\*) Term: **15 Years**

(21) Appl. No.: **29/682,932**

(22) Filed: **Mar. 8, 2019**

(51) **LOC (13) Cl.** ..... **07-01**

(52) **U.S. Cl.**

USPC ..... **D7/554.2**; D7/396.2

(58) **Field of Classification Search**

USPC ..... D7/300.1, 300.2, 354, 379, 392, 392.1,  
D7/412, 500, 545, 553.3, 553.5, 553.6,  
D7/553.8, 554.2, 554.3, 557, 558, 665,  
D7/396.2, 396.1; D6/677; D27/162, 167;  
D30/129-132

CPC .. B65D 21/0238; B65D 81/3205; B65D 3/24;  
B65D 77/28; B65D 25/04; Y10S  
220/912; Y10S 249/01; A21B 3/13; A47G  
233/0633

See application file for complete search history.

(56) **References Cited**

**U.S. PATENT DOCUMENTS**

- 888,250 A \* 5/1908 Michelson ..... A21B 3/135  
249/77
- 2,003,521 A \* 6/1935 Smith ..... A47J 43/1006  
99/484
- 2,174,586 A \* 10/1939 Leppke ..... A47G 19/02  
220/575
- D117,719 S \* 11/1939 McDonald ..... A47G 19/02  
D7/412
- 2,920,804 A \* 1/1960 Minton ..... A47G 23/0216  
229/400
- 3,141,400 A \* 7/1964 Powers ..... A21B 3/13  
249/82
- D215,907 S \* 11/1969 Little ..... A21B 3/13  
D28/93

- D250,386 S \* 11/1978 Tuggy ..... D7/391
- D263,915 S \* 4/1982 Kohan ..... A21B 3/13  
D2/887
- D303,194 S \* 9/1989 Darby ..... A21B 3/135  
D7/507

(Continued)

**FOREIGN PATENT DOCUMENTS**

- CN 302287219 \* 1/2013
- CN 304492045 \* 2/2018
- CN 304528004 \* 3/2018

**OTHER PUBLICATIONS**

Cuisinart, "Cuisinart Chef's Classic Nonstick Bakeware 9-Inch Tube Cake Pan," May 5, 2003, Amazon.com, www.amazon.com/dp/B0000D8CAN (Year: 2003).\*

(Continued)

*Primary Examiner* — Vy N Koenig  
*Assistant Examiner* — Arva P Adams

(57) **CLAIM**

The ornamental design for a combined lid and serving dish, as shown and described.

**DESCRIPTION**

FIG. 1 is a front perspective view of a combined lid and serving dish.

FIG. 2 is a bottom perspective view thereof;

FIG. 3 is a top view thereof;

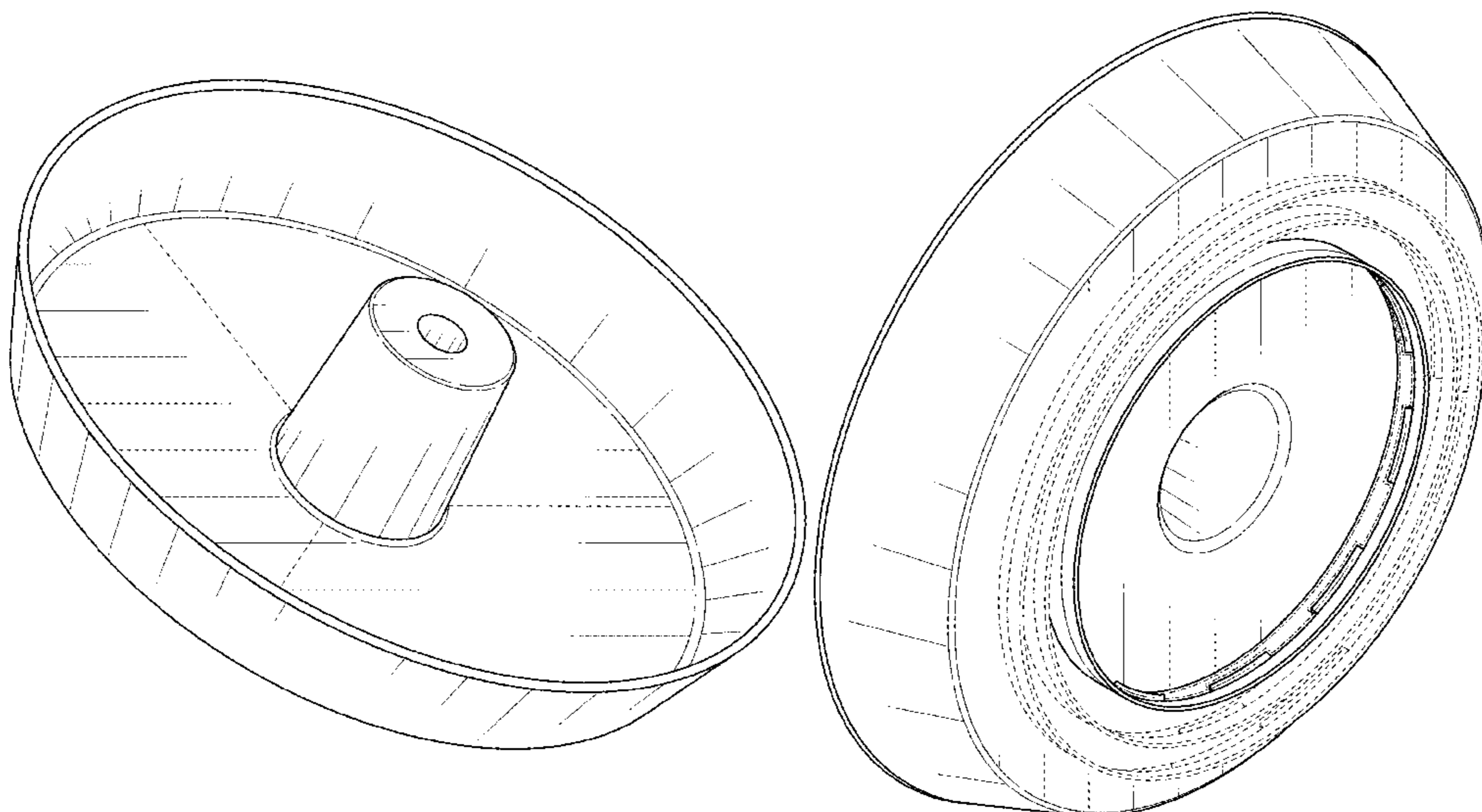
FIG. 4 is a bottom view thereof;

FIG. 5 is a side view thereof; and,

FIG. 6 is an inverted side view thereof.

The broken lines shown in these figures depict portions of the combined lid and serving dish that form no part of the claimed design. The internal surfaces immediately adjacent to the broken lines in FIGS. 2 and 4 form no part of the claimed design. The surfaces immediately inside the dot-dash lines also form no part of the claimed design.

**1 Claim, 5 Drawing Sheets**



(56)

References Cited

U.S. PATENT DOCUMENTS

5,176,283 A \* 1/1993 Patterson ..... A47G 19/06  
206/217  
5,180,079 A \* 1/1993 Jeng ..... A47G 19/065  
206/217  
D338,373 S \* 8/1993 Sun ..... A21B 3/13  
D30/131  
D351,458 S \* 10/1994 Linner ..... A21B 3/13  
D23/260  
5,628,276 A \* 5/1997 Raposa ..... A01K 5/0114  
119/61.54  
D381,866 S \* 8/1997 St-Gelais ..... A01K 5/0114  
D7/300  
D404,612 S \* 1/1999 Blazeovich ..... A21B 3/13  
D7/505  
5,954,195 A \* 9/1999 Krueger ..... A47G 19/065  
206/217  
D453,488 S \* 2/2002 McCauley ..... A47G 19/065  
D11/152  
D453,883 S \* 2/2002 Conde ..... D6/677.1  
6,425,480 B1 \* 7/2002 Krueger ..... A47G 19/065  
206/217  
6,474,494 B1 \* 11/2002 Miller ..... A47G 19/065  
206/217  
D485,710 S \* 1/2004 Burkhart ..... A47G 19/065  
D11/152  
D488,741 S \* 4/2004 Moya ..... A47G 19/02  
D11/143  
D516,867 S \* 3/2006 Martin ..... A47G 19/065  
D7/586  
D522,807 S \* 6/2006 Dow ..... A47G 19/065  
D7/361  
D539,091 S \* 3/2007 Mansfield ..... A47G 19/06  
D7/509  
D560,044 S \* 1/2008 Roes ..... A47G 19/06  
D30/121  
8,186,538 B2 \* 5/2012 MacCarthy ..... A47G 19/065  
220/737  
D666,356 S \* 8/2012 Chaoui ..... A47G 19/065  
D27/162  
D682,482 S \* 5/2013 Nelson ..... A47G 19/065  
D30/129  
D700,407 S \* 2/2014 Paschall ..... A47G 19/065  
D30/129  
D781,659 S \* 3/2017 Kellow, Jr. .... A47G 19/065  
D7/557  
D818,760 S \* 5/2018 Abbo ..... A47G 19/065  
D7/354

D825,977 S \* 8/2018 Maffei, Jr. .... A47G 19/02  
D7/354  
10,370,148 B2 \* 8/2019 Buck ..... A47G 21/18  
D894,683 S \* 9/2020 Pola ..... A47G 23/0216  
D7/507  
2012/0067902 A1 \* 3/2012 Maffei ..... A47J 36/022  
220/573.1  
2014/0175097 A1 \* 6/2014 Kao ..... B65D 51/28  
220/212

OTHER PUBLICATIONS

Nordic Ware, "Nordic Ware 12-Cup Angel Food Cake Pan," Jan. 1, 2008, Amazon.com, [www.amazon.com/dp/B00080QK5G](http://www.amazon.com/dp/B00080QK5G) (Year: 2008).\*

Fat Daddio's, "Fat Daddio's PAF-10425 Angel Food Cake Pan," Apr. 17, 2008, Amazon.com, [www.amazon.com/dp/B0017Z3U3G](http://www.amazon.com/dp/B0017Z3U3G) (Year: 2008).\*

GreenTurtle, "Vertical poultry roaster—aka 'beer can chicken'," Jun. 24, 2010, Ramblings on Cast Iron, <https://ramblingsoncastiron.blogspot.com/2010/06/vertical-poultry-roaster-aka-beer-can.html> (Year: 2010).\*

Absolutely Needed Team, "One Handed Party Plate," Sep. 7, 2012, Absolutely Needed, [www.absolutelyneeded.com/one-handed-party-plate/](http://www.absolutelyneeded.com/one-handed-party-plate/) (Year: 2012).\*

Droll Yankees, "Droll Yankees DCF-M Dorothy's Cardinal Feeder," Jul. 8, 2015, Amazon.ca, [www.amazon.ca/dp/B00YMKQDE](http://www.amazon.ca/dp/B00YMKQDE) (Year: 2015).\*

People, "The Go Plate," Jun. 2, 2016, People, [www.people.com/style/style-dad-bod-fathers-day-gifts/?slide=283848](http://www.people.com/style/style-dad-bod-fathers-day-gifts/?slide=283848) (Year: 2016).\*

TEAholiC, "A Combo Snack n Drink cup." Aug. 18, 2017, Facebook.com, [www.facebook.com/houston150/photos/a.1047326415359232/1476575295767673/](http://www.facebook.com/houston150/photos/a.1047326415359232/1476575295767673/) (Year: 2017).\*

Great Plate, "GREATPLATE GreatPlate GP-BLU," Sep. 28, 2018, Amazon.ca, [www.amazon.ca/dp/B07K6KKMZ7](http://www.amazon.ca/dp/B07K6KKMZ7) (Year: 2018).\*

Fujima, "Fujima 12pc Display Glow Silicone Snuffer Ashtray," Feb. 1, 2019, Amazon.ca, [www.amazon.ca/dp/B07N8H1P9Z](http://www.amazon.ca/dp/B07N8H1P9Z) (Year: 2019).\*

Hong Er Plastic Manufacture Limited, "Disposble Snack and Drink Cup For Dessert," Dec. 19, 2019, Hong Er Plastic Manufacture Limited, <https://web.archive.org/web/20191219225816/http://www.disposable-plasticcups.com/quality-11548642-disposable-snack-and-drink-cup-for-dessert> (Year: 2019).\*

HHB Eclipse, "Eclipse Novelty Cermaic (sic) Cigarette Snuffer," Jan. 4, 2019, Amazon.com, [www.amazon.com/dp/B07NVW7TJB](http://www.amazon.com/dp/B07NVW7TJB) (Year: 2019).\*

\* cited by examiner

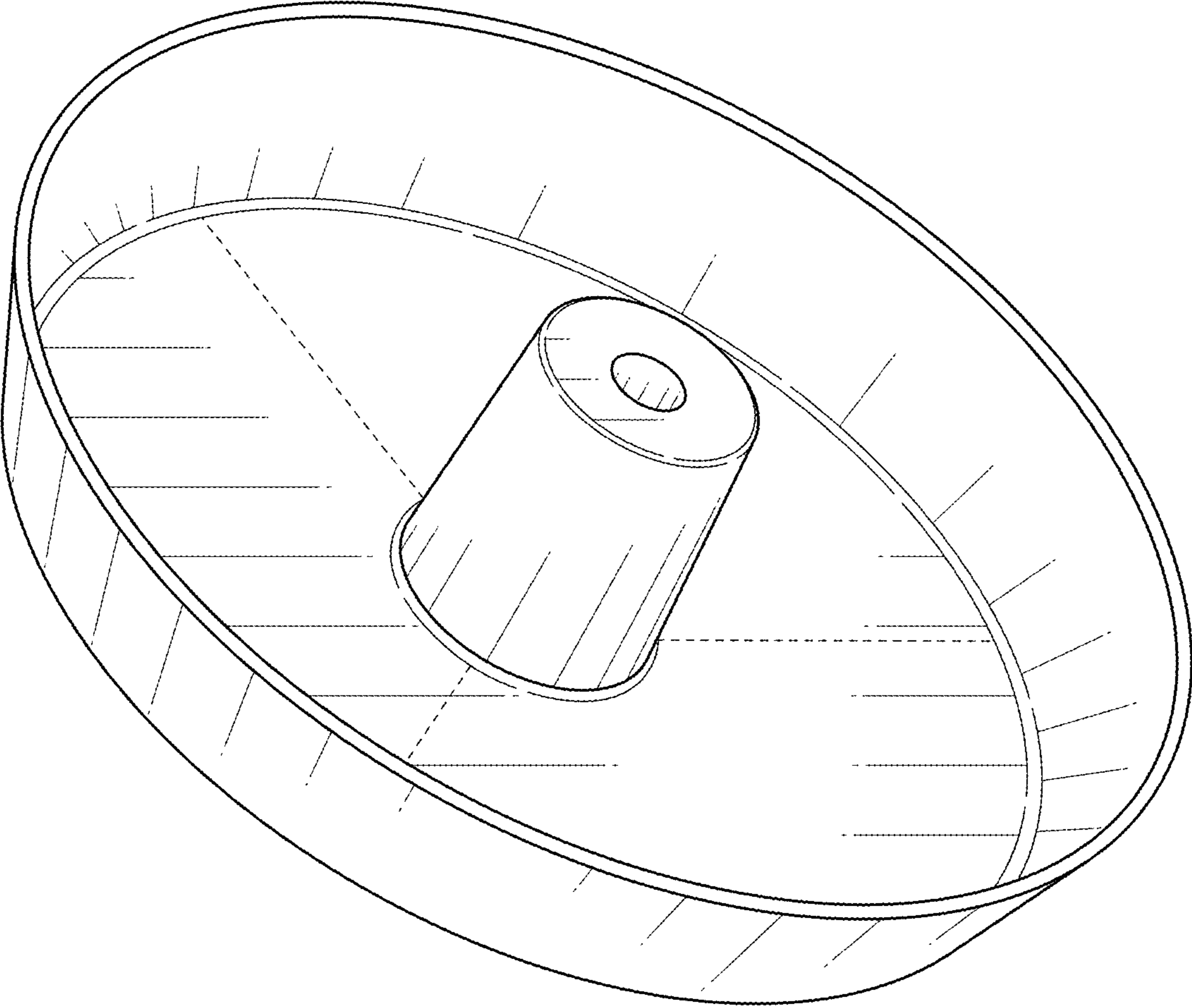


FIG. 1

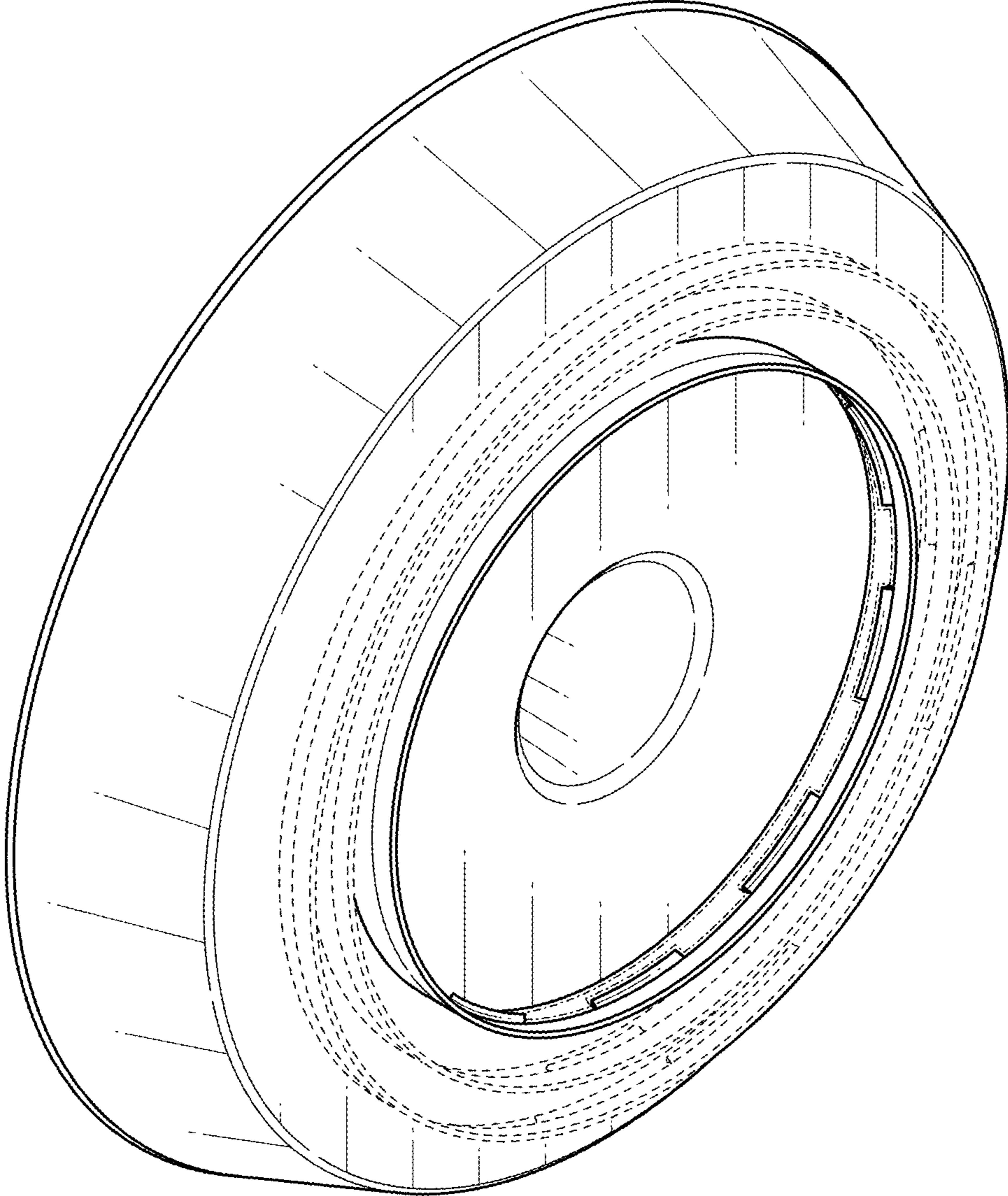


FIG. 2

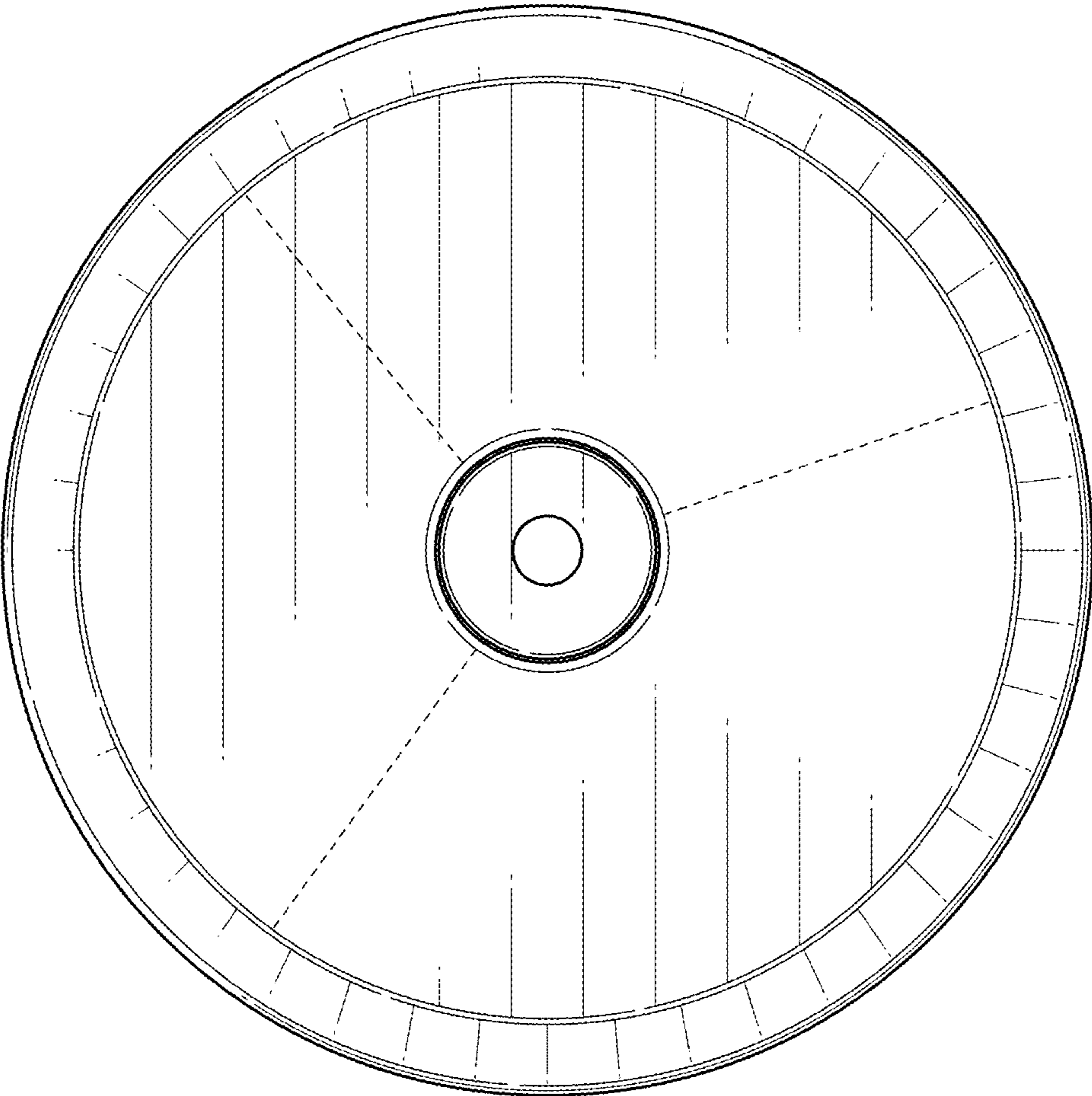


FIG. 3

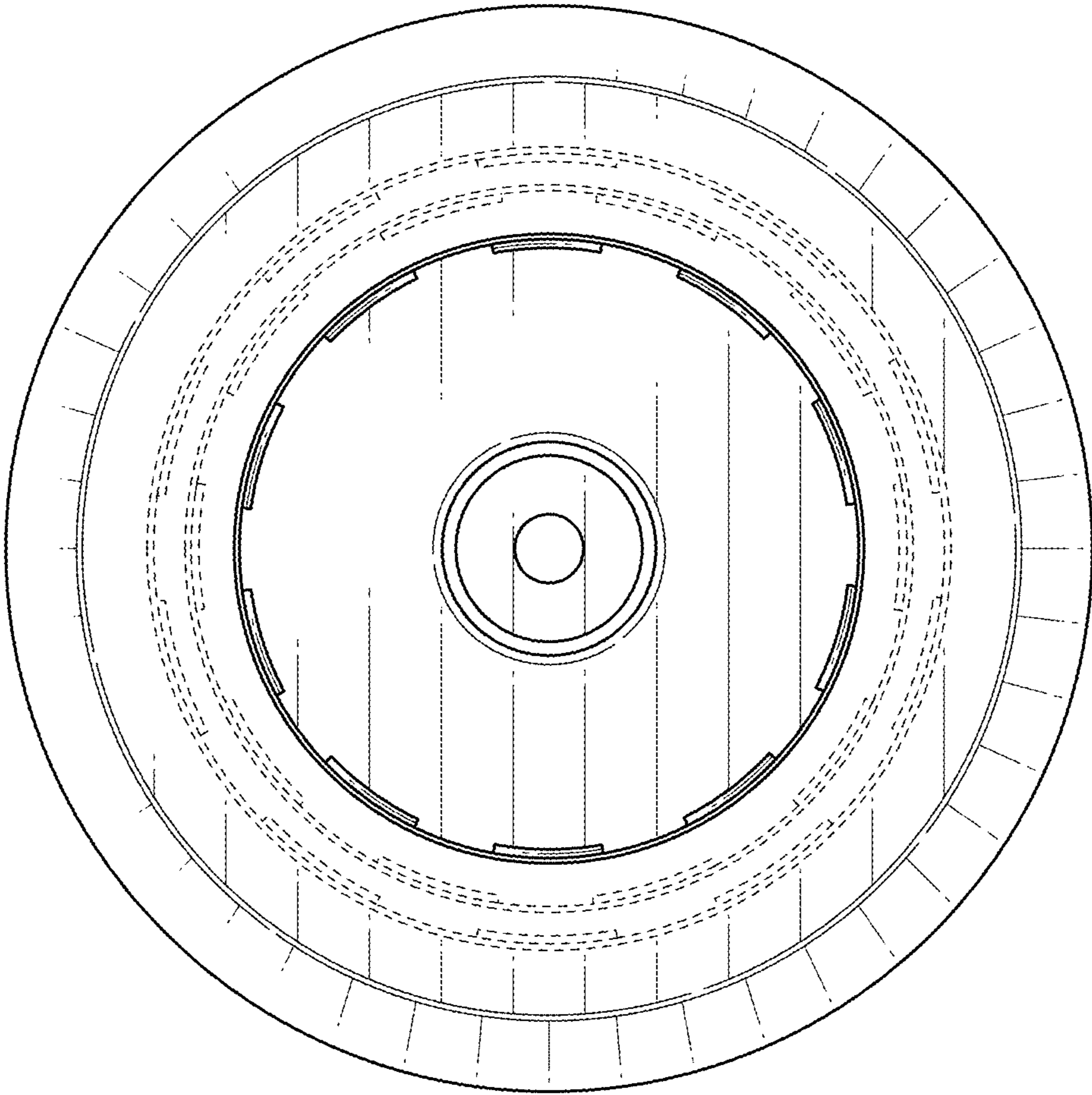


FIG. 4

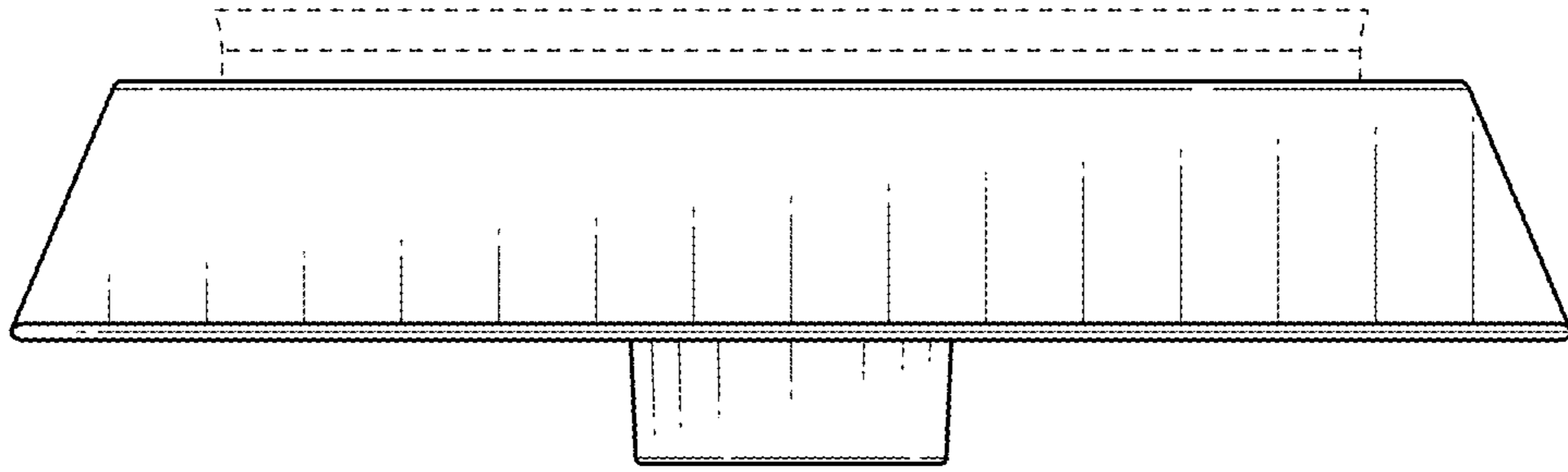


FIG. 5

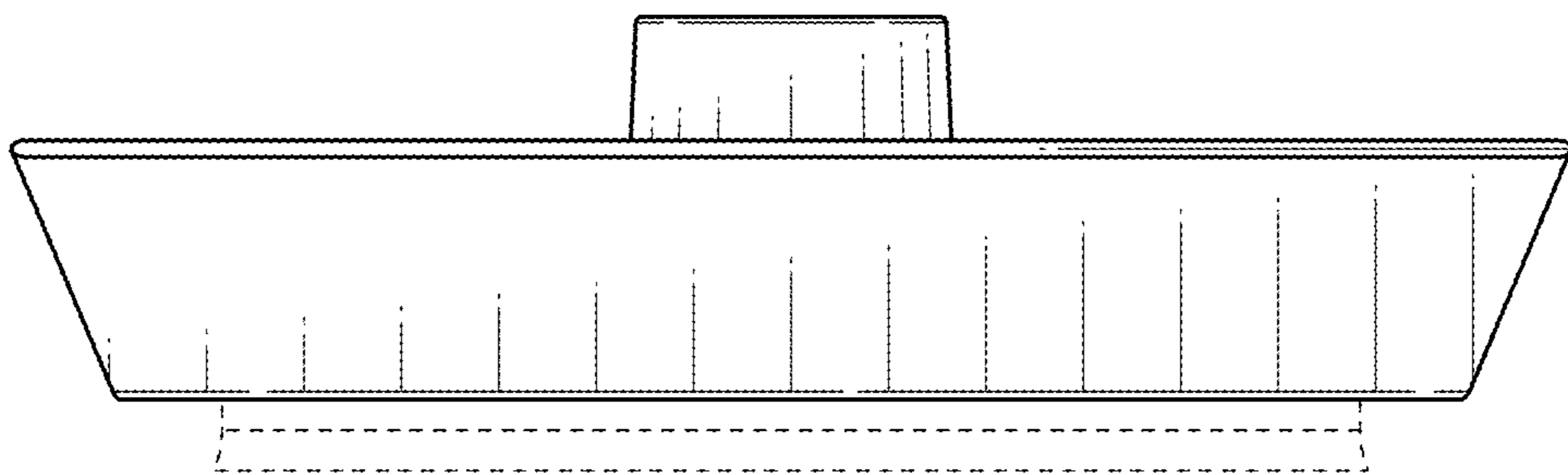


FIG. 6