



US00D926527S

(12) **United States Design Patent** (10) **Patent No.:** **US D926,527 S**
Bohn et al. (45) **Date of Patent:** **** *Aug. 3, 2021**

(54) **TRAY** 7,083,818 B2 * 8/2006 Pratte B65D 25/06
426/115
(71) Applicant: **Pactiv LLC**, Lake Forest, IL (US) D648,635 S * 11/2011 Golota D9/737
D695,077 S * 12/2013 Chase D7/555
(72) Inventors: **Michael Bohn**, Rochester, NY (US); D697,370 S * 1/2014 Shannon D7/557
Ming L. Ho, Fairport, NY (US); **Kevin**
M. O'Malley, Chicago, IL (US) D698,667 S * 2/2014 Snedden D9/761
D729,588 S * 5/2015 Breton D7/553.2
D731,248 S * 6/2015 Breton D7/553.2

(Continued)

(73) Assignee: **Pactiv LLC**, Lake Forest, IL (US)

FOREIGN PATENT DOCUMENTS

(*) Notice: This patent is subject to a terminal disclaimer.

CN 305128938 * 4/2019
GB 4023277 * 2/2012

(**) Term: **15 Years**

OTHER PUBLICATIONS

(21) Appl. No.: **29/684,348**

Platter Pleasers, "Fineline Settings Platter Pleasers," Mar. 7, 2013, Amazon.com, www.amazon.com/Fineline-Settings-Platter-Pleasers-Compartment/dp/B00BW4T7RA (Year: 2013).*

(22) Filed: **Mar. 20, 2019**

(Continued)

(51) **LOC (13) Cl.** **07-01**

(52) **U.S. Cl.**

USPC **D7/553.2**

(58) **Field of Classification Search**

USPC D7/553.1, 553.2, 553.3, 553.4, 553.5,
D7/553.6, 553.8, 701, 364, 360, 543, 545,
D7/550.1, 552.2, 554.3, 554.4, 552.1,
D7/600.1, 602, 601, 683, 409; 220/564,
220/23.8, 556, 575, 914, 23.83, 23.86,
220/574, 574.1, 515; D9/455, 702, 519,
D9/456, 517; D19/103; D3/203.3, 901,
D3/295, 737

CPC A47G 23/0641; A47G 23/06; A47G 19/00;
A63F 9/1044; A63F 2003/00905; A47F
7/02

See application file for complete search history.

Primary Examiner — Shannon W Morgan

Assistant Examiner — Arva P Adams

(74) *Attorney, Agent, or Firm* — Baker Botts L.L.P.

(57) **CLAIM**

The ornamental design for a tray, as shown and described.

DESCRIPTION

FIG. 1 is a top perspective view of an embodiment of a tray.

FIG. 2 is a side view of the tray of FIG. 1.

FIG. 3 is a side view of the tray of FIG. 1; and,

FIG. 4 is a top plan view of the tray of FIG. 1.

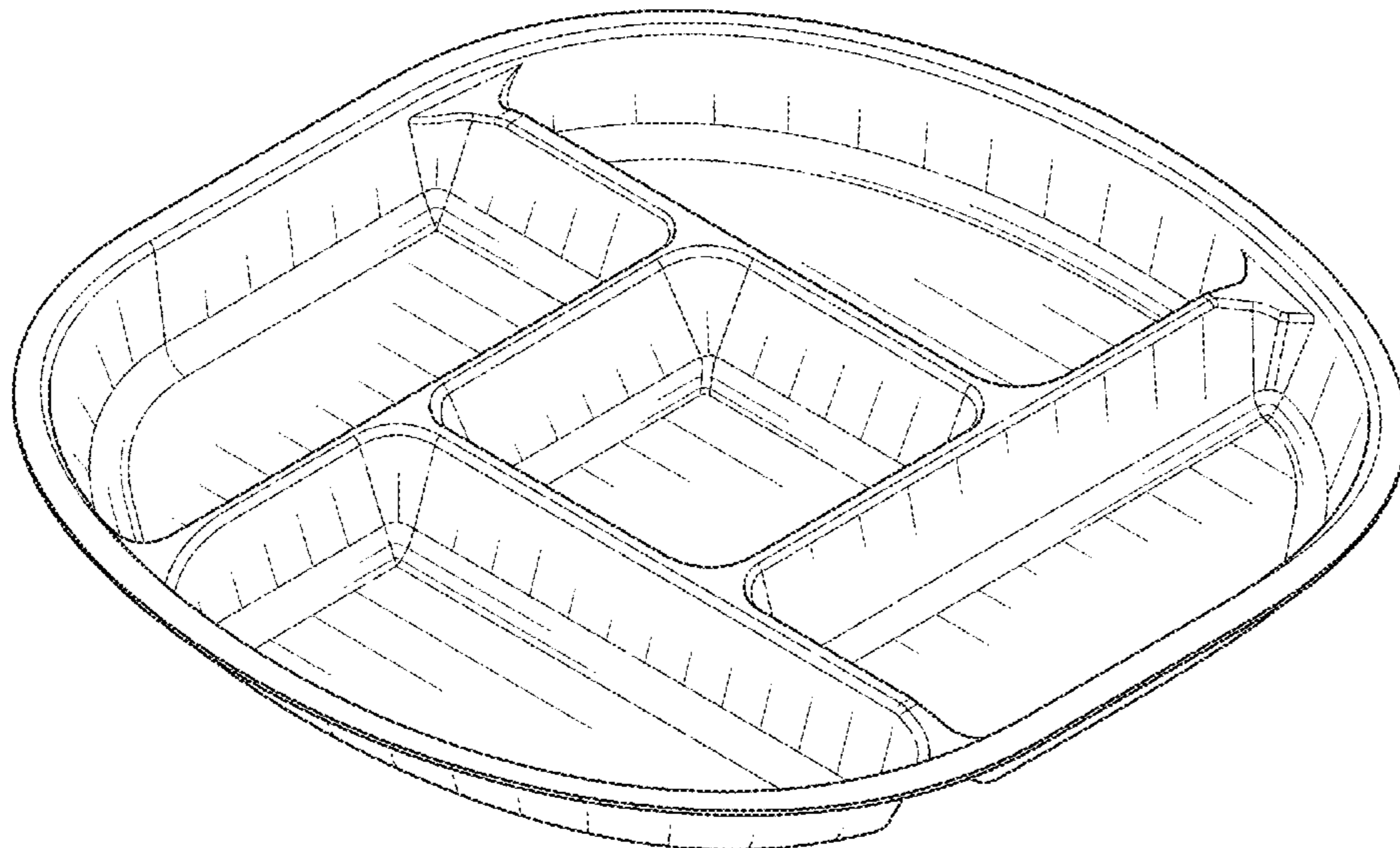
The evenly-spaced broken lines show portions of the tray that form no part of the claimed design. None of the broken lines form part of the claimed design. In addition, the dash-dot-dash broken lines in FIGS. 2 and 3 depict boundaries, and the areas within form no part of the claimed design.

(56) **References Cited**

U.S. PATENT DOCUMENTS

2,826,469 A * 3/1958 Grant A47G 23/06
220/23.83
D426,110 S * 6/2000 Schmidt D7/549
D439,474 S * 3/2001 Claffy D7/553.1

1 Claim, 3 Drawing Sheets



(56)

References Cited

U.S. PATENT DOCUMENTS

D734,098 S * 7/2015 Breton D7/553.6
D737,633 S * 9/2015 Breton D7/553.6
D745,807 S * 12/2015 Harris D7/553.2
D802,368 S * 11/2017 Peng D7/553.2
D829,509 S * 10/2018 Malak A47G 23/06
D7/553.1
D837,607 S * 1/2019 Dwork B65D 25/06
D7/584

OTHER PUBLICATIONS

Bentgo, "Bentgo Salad BPA-Free Lunch Container," Nov. 5, 2015, Amazon.com, www.amazon.com/Bentgo-Salad-Blue-Conveniently-go/dp/B017LJ70G4 (Year: 2015).*

Pactiv.com, "Round School Lunch Tray," Jul. 10, 2020, Pactive.com, <https://www.pactive.com/Pactiv/Marketing-Materials/EC-0322.pdf> (Year: 2020).*

U.S. Appl. No. 29/684,340, filed Mar. 20, 2019.

U.S. Appl. No. 29/684,345, filed Mar. 20, 2019.

* cited by examiner

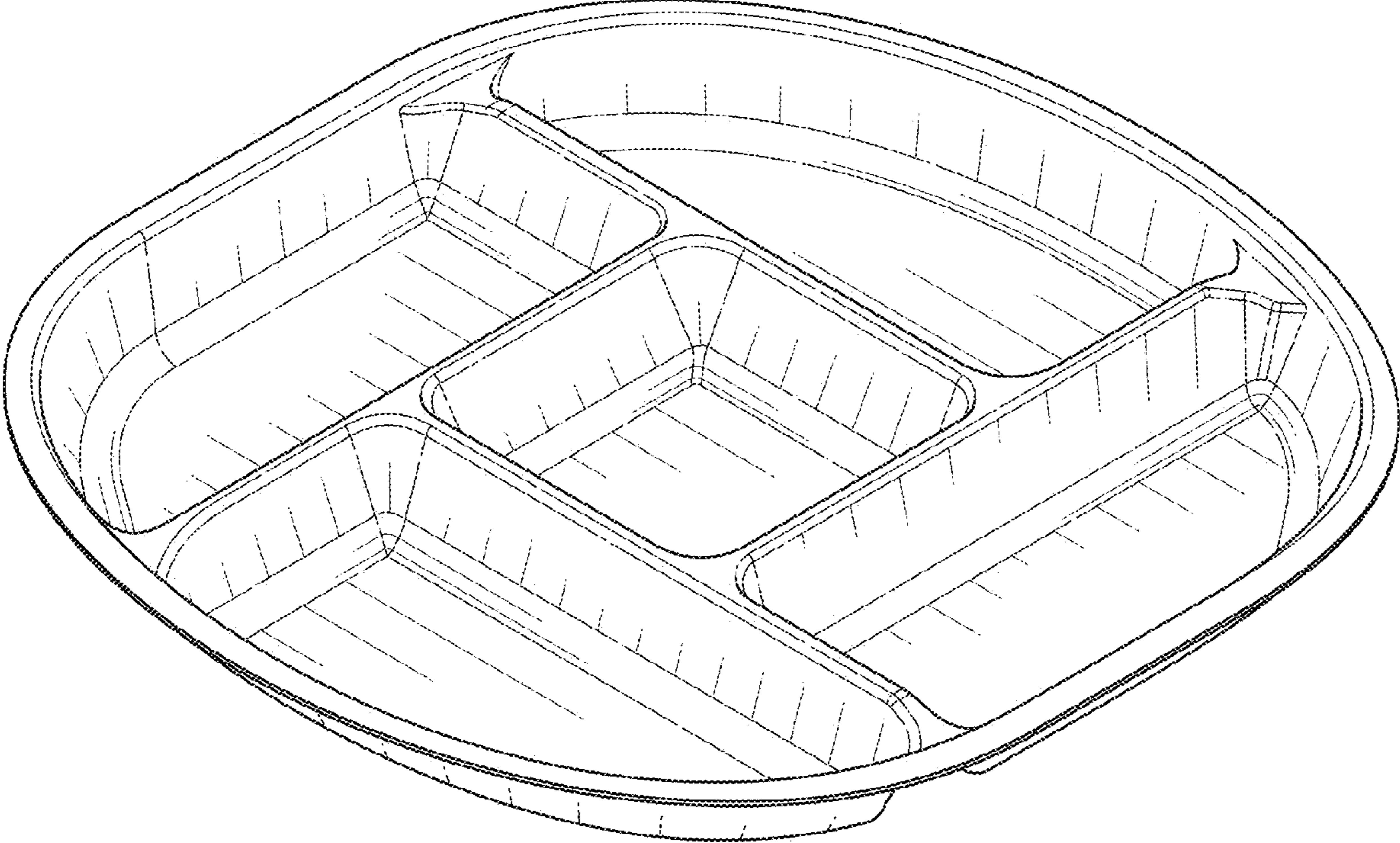


FIG. 1

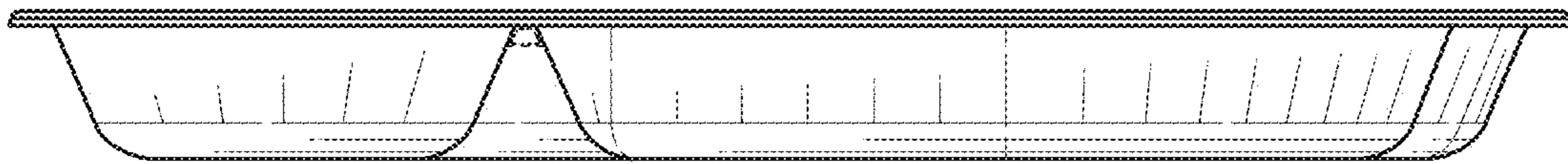


FIG. 2

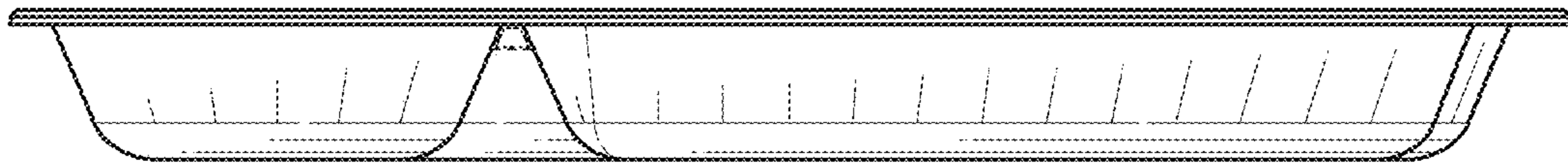


FIG. 3

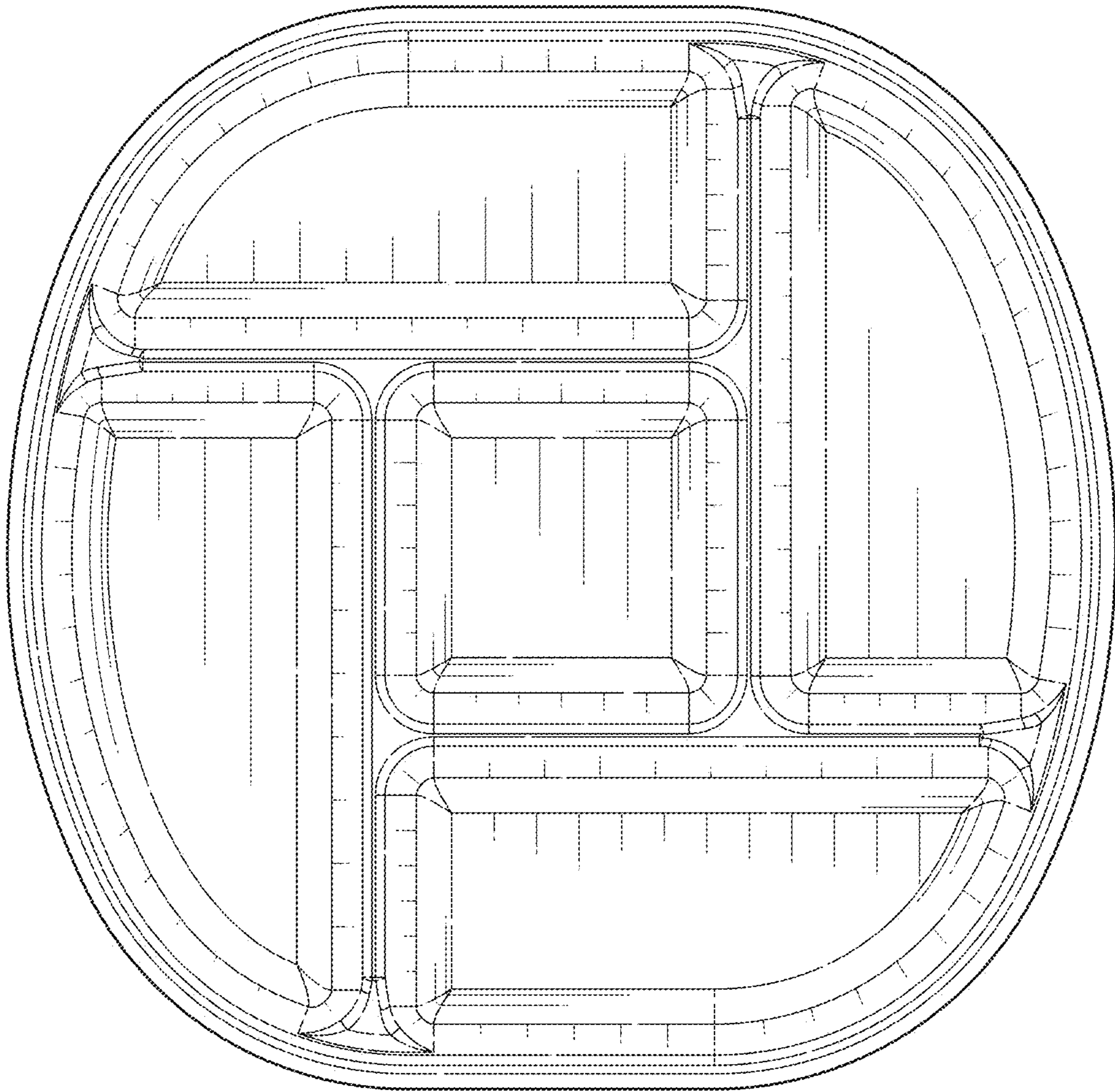


FIG. 4