



US00D926524S

(12) **United States Design Patent**
Lai

(10) **Patent No.:** **US D926,524 S**

(45) **Date of Patent:** **** Aug. 3, 2021**

(54) **BREAKFAST TRAY**

(71) Applicant: **MyGift Enterprise, LLC**, Woodinville, WA (US)

(72) Inventor: **Carol Lai**, Woodinville, WA (US)

(**) Term: **15 Years**

(21) Appl. No.: **29/707,850**

(22) Filed: **Oct. 1, 2019**

(51) **LOC (13) Cl.** **07-01**

(52) **U.S. Cl.**
USPC **D7/552.2**

(58) **Field of Classification Search**
USPC D6/512, 685–686, 691, 704, 707.19,
D6/406.1, 406.2, 406.3, 406.4, 406.5,
D6/406.6; D7/545, 550.1, 552.2, 554.3
CPC A47G 23/06; A47G 23/08; A47G 23/0608;
A47B 19/08; A47B 23/00; A47B 23/001
See application file for complete search history.

(56) **References Cited**

U.S. PATENT DOCUMENTS

| | | | | |
|--------------|---------|-------------------|-------|----------|
| D281,555 S * | 12/1985 | Levy | | D6/406.6 |
| D319,358 S * | 8/1991 | Giugiaro | | D6/406.6 |
| D358,511 S * | 5/1995 | Frahm | | D21/522 |
| D385,126 S * | 10/1997 | Howland | | D6/406.6 |
| D390,718 S * | 2/1998 | Howland | | D6/406.6 |
| D404,219 S * | 1/1999 | Patterson | | D6/406.6 |
| D404,589 S * | 1/1999 | Taylor | | D6/406.4 |
| D428,729 S * | 8/2000 | Weitzman | | D6/406.5 |
| D539,569 S * | 4/2007 | Lewis | | D6/406.6 |
| D546,096 S * | 7/2007 | Kreiss | | D6/691 |
| D551,876 S * | 10/2007 | Gusdorf | | D6/406.6 |
| D614,889 S * | 5/2010 | Van Duysen | | D6/691.5 |
| D619,822 S * | 7/2010 | Damgaard-Sorensen | | D6/406.1 |
| D624,922 S * | 10/2010 | Hui | | D14/447 |

| | | | | |
|-----------------|---------|---------------|-------|--------------------|
| D650,614 S * | 12/2011 | Martin | | D6/702 |
| D668,472 S * | 10/2012 | Wong | | D6/406.5 |
| D679,921 S * | 4/2013 | Kiechler | | D6/406.5 |
| 8,667,903 B1 * | 3/2014 | Goltry | | A47B 1/05 108/4 |
| D723,830 S * | 3/2015 | Tcholakov | | D6/406.6 |
| D754,988 S * | 5/2016 | Fountain, Jr. | | D6/406.3 |
| D774,650 S * | 12/2016 | Williams | | D24/185 |
| 9,578,960 B1 * | 2/2017 | Wu | | A47B 23/04 |
| D799,851 S * | 10/2017 | Waxman | | D6/406.6 |
| D874,386 S * | 2/2020 | Smith | | D12/421 |
| 10,716,394 B1 * | 7/2020 | Jennings | | A47B 13/10 |

* cited by examiner

Primary Examiner — Kelley A Donnelly

(74) *Attorney, Agent, or Firm* — Dean Craine; Marisa Whitaker

(57) **CLAIM**

The ornamental design for a breakfast tray, as shown and described.

DESCRIPTION

FIG. 1 is a top front perspective view of breakfast tray showing my new design in an unfolded configuration.

FIG. 2 is a front elevational view thereof, the rear elevational view being a mirror image thereof.

FIG. 3 is a top plan view thereof.

FIG. 4 is a bottom plan view thereof.

FIG. 5 is a left-side elevational view thereof, the right-side elevational view being a mirror thereof.

FIG. 6 is a sectional view taken along line 6-6 in FIG. 3.

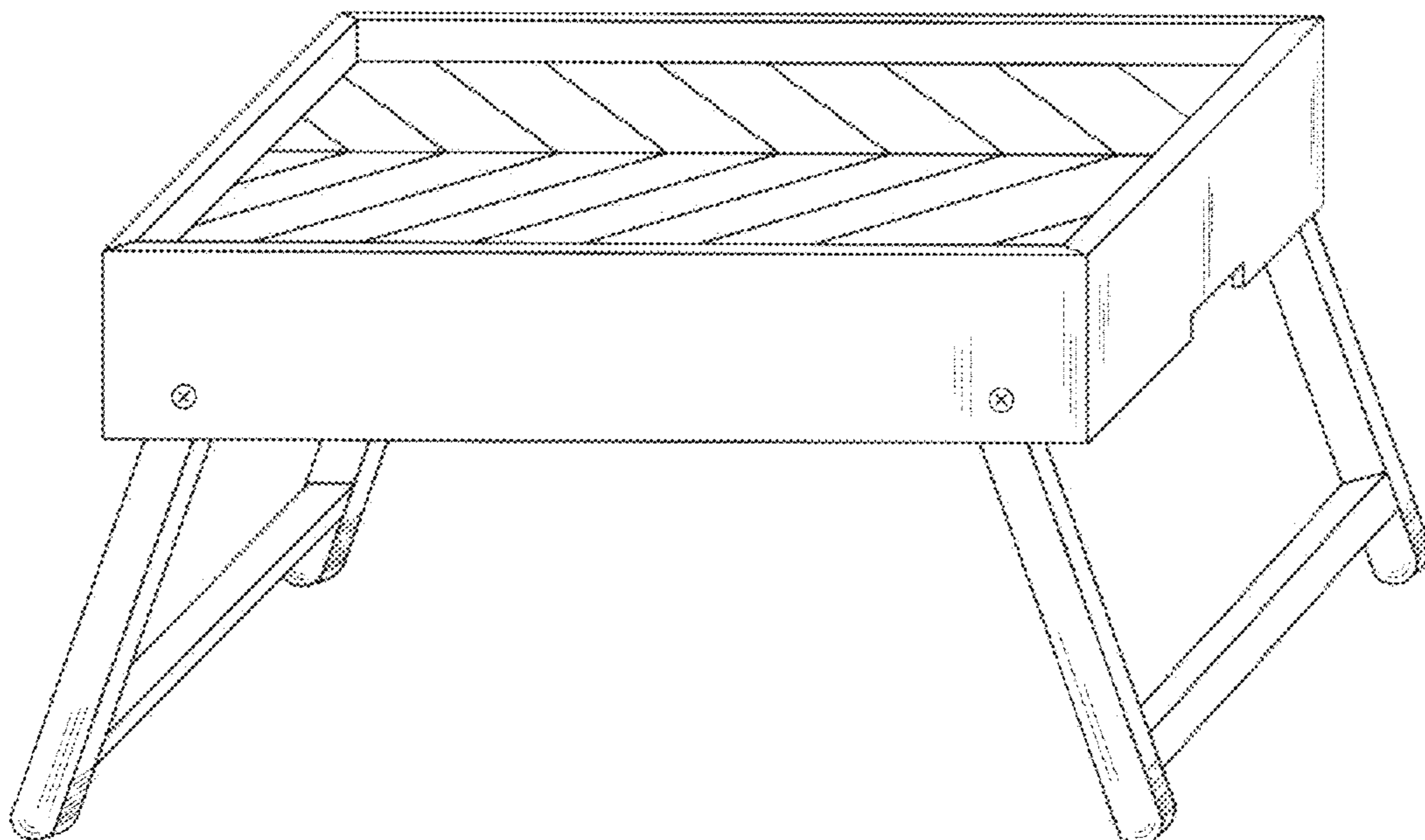
FIG. 7 is a top front perspective view of the breakfast tray in a folded configuration.

FIG. 8 is a top plan view thereof.

FIG. 9 is a bottom plan view thereof; and,

FIG. 10 is a sectional view taken along line 10-10 in FIG. 8.

1 Claim, 10 Drawing Sheets



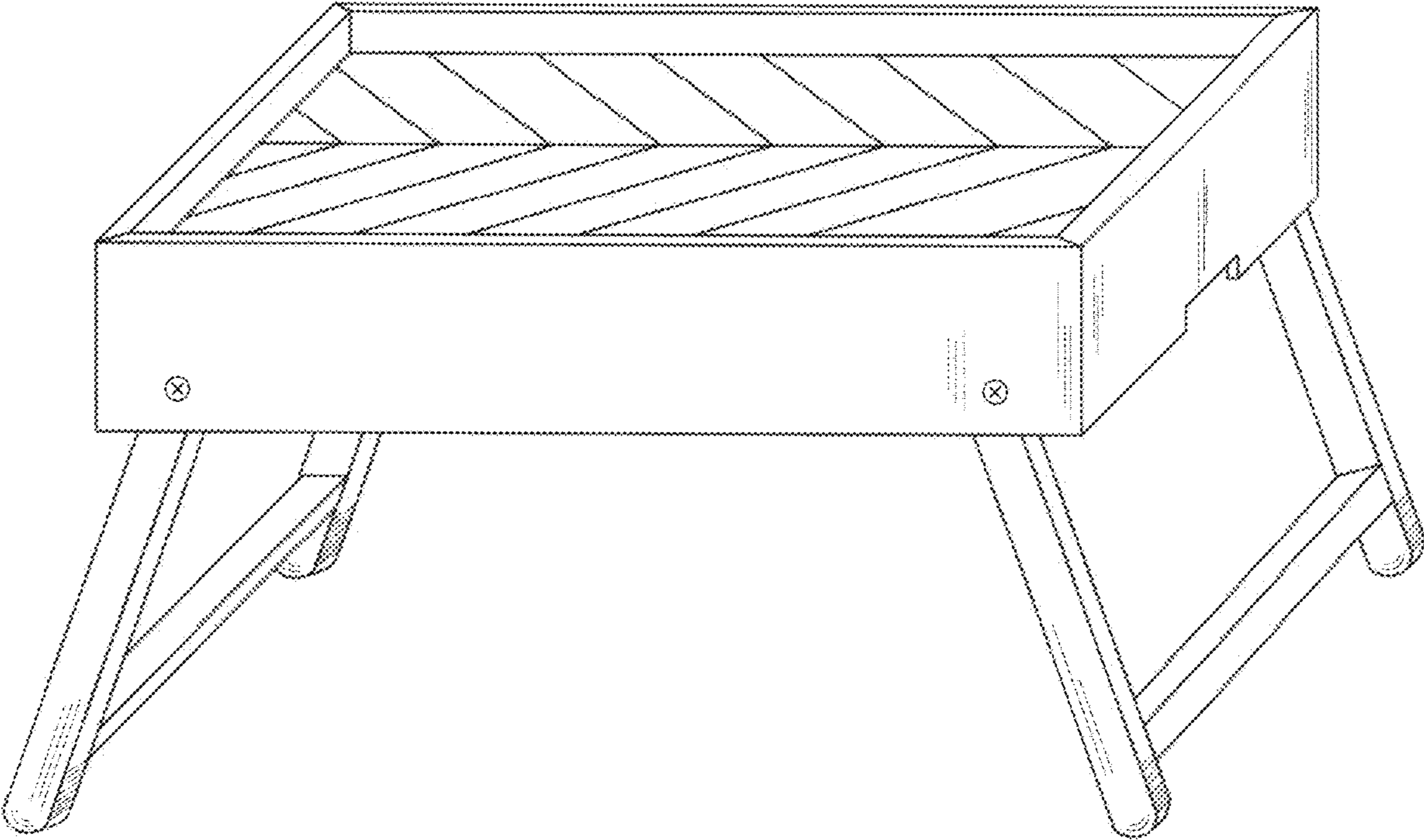


FIG. 1

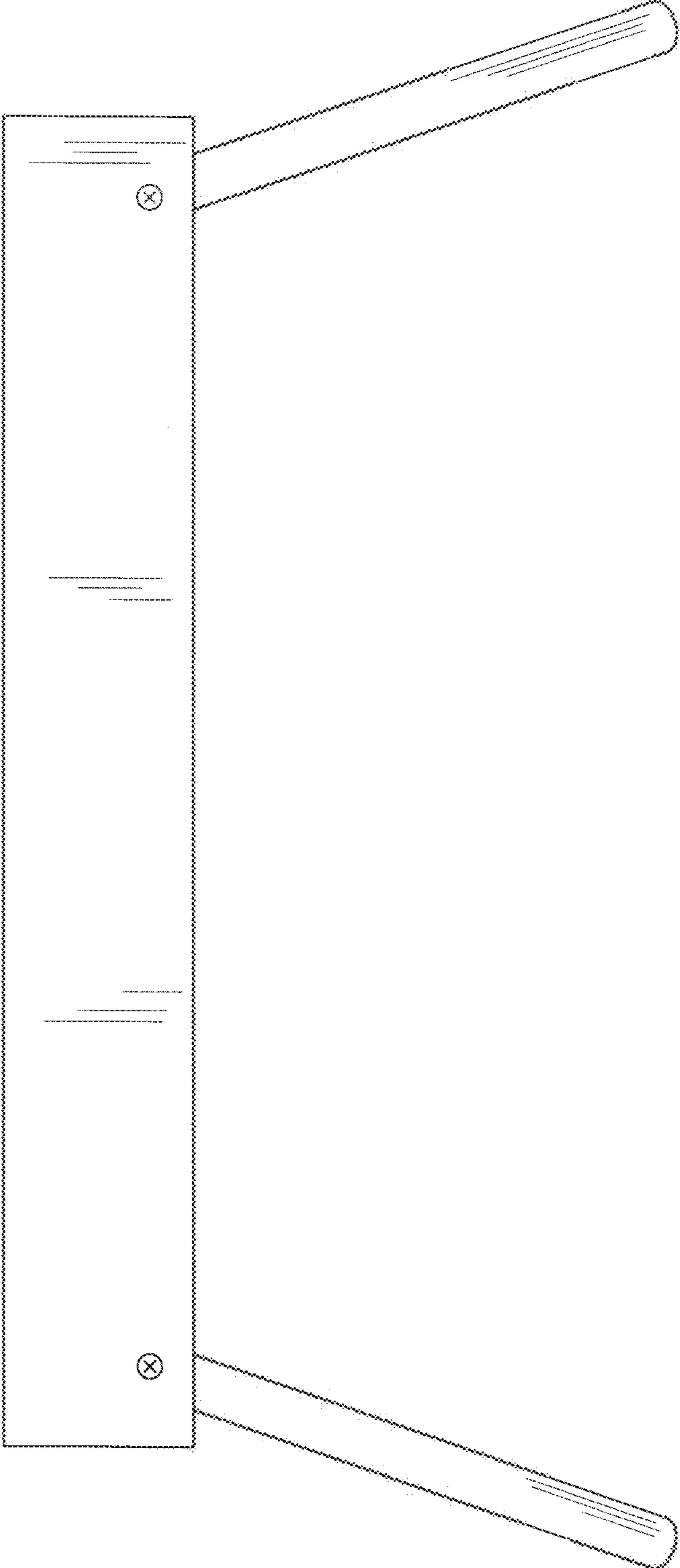


FIG. 2

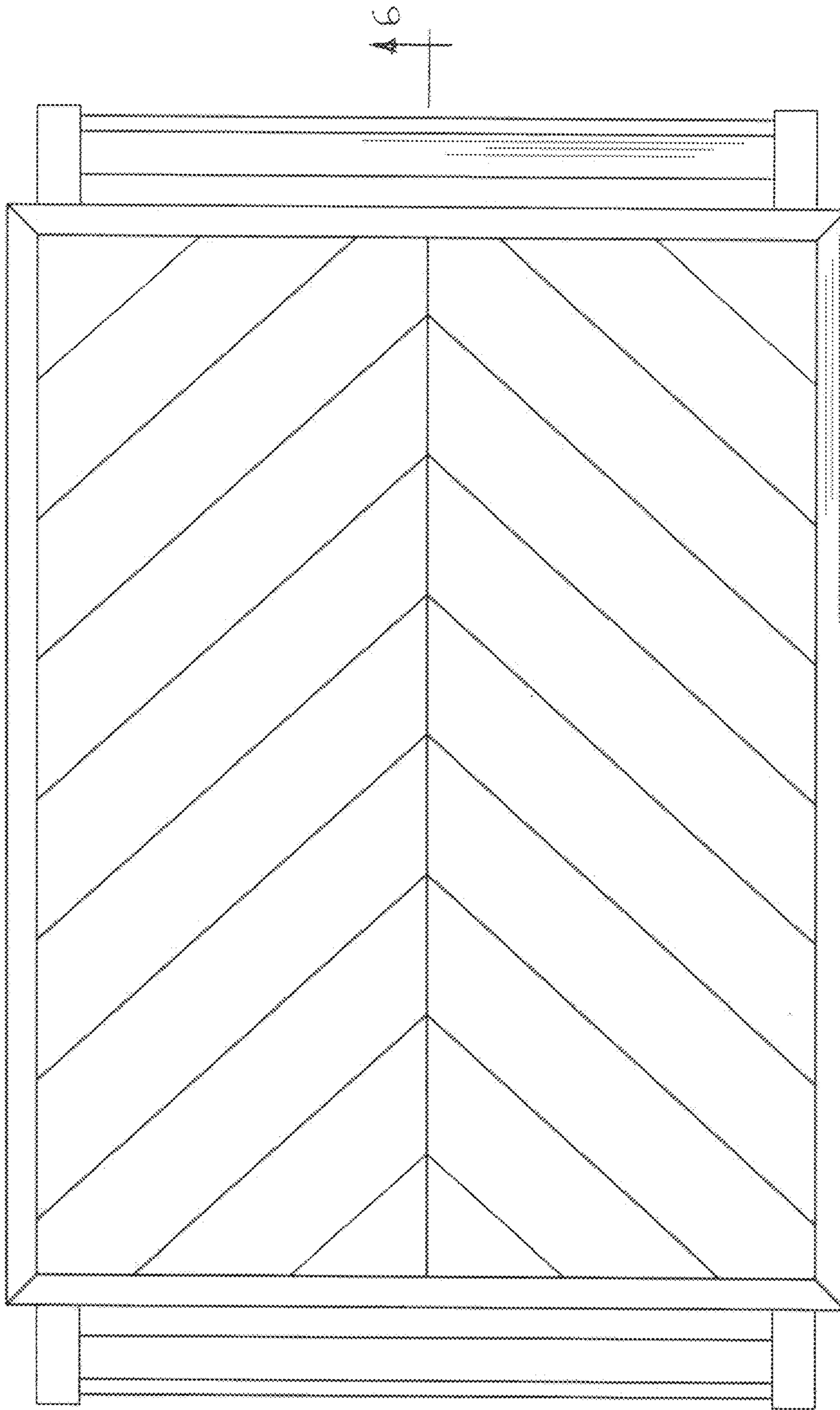


FIG. 3

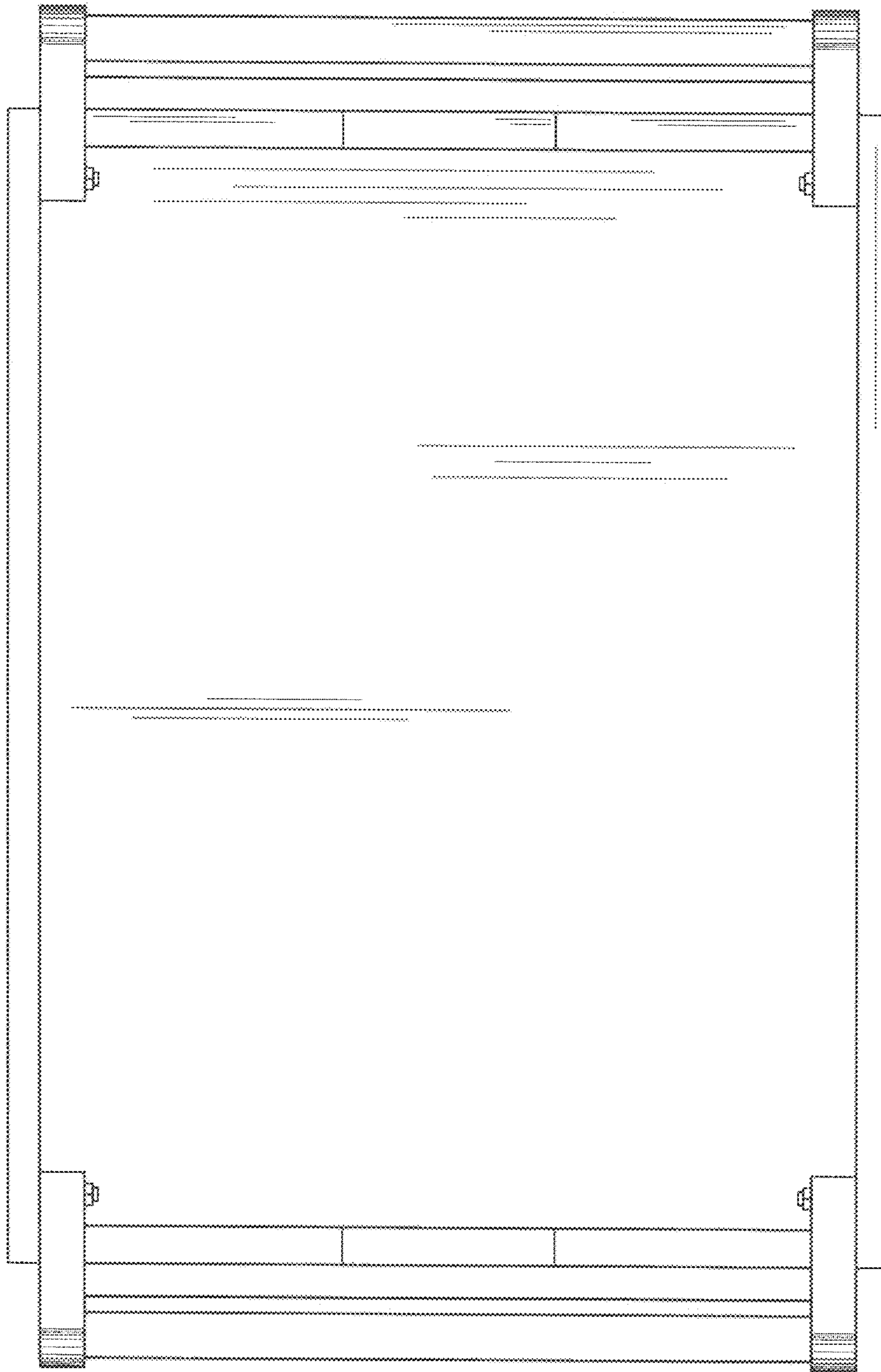


FIG. 4

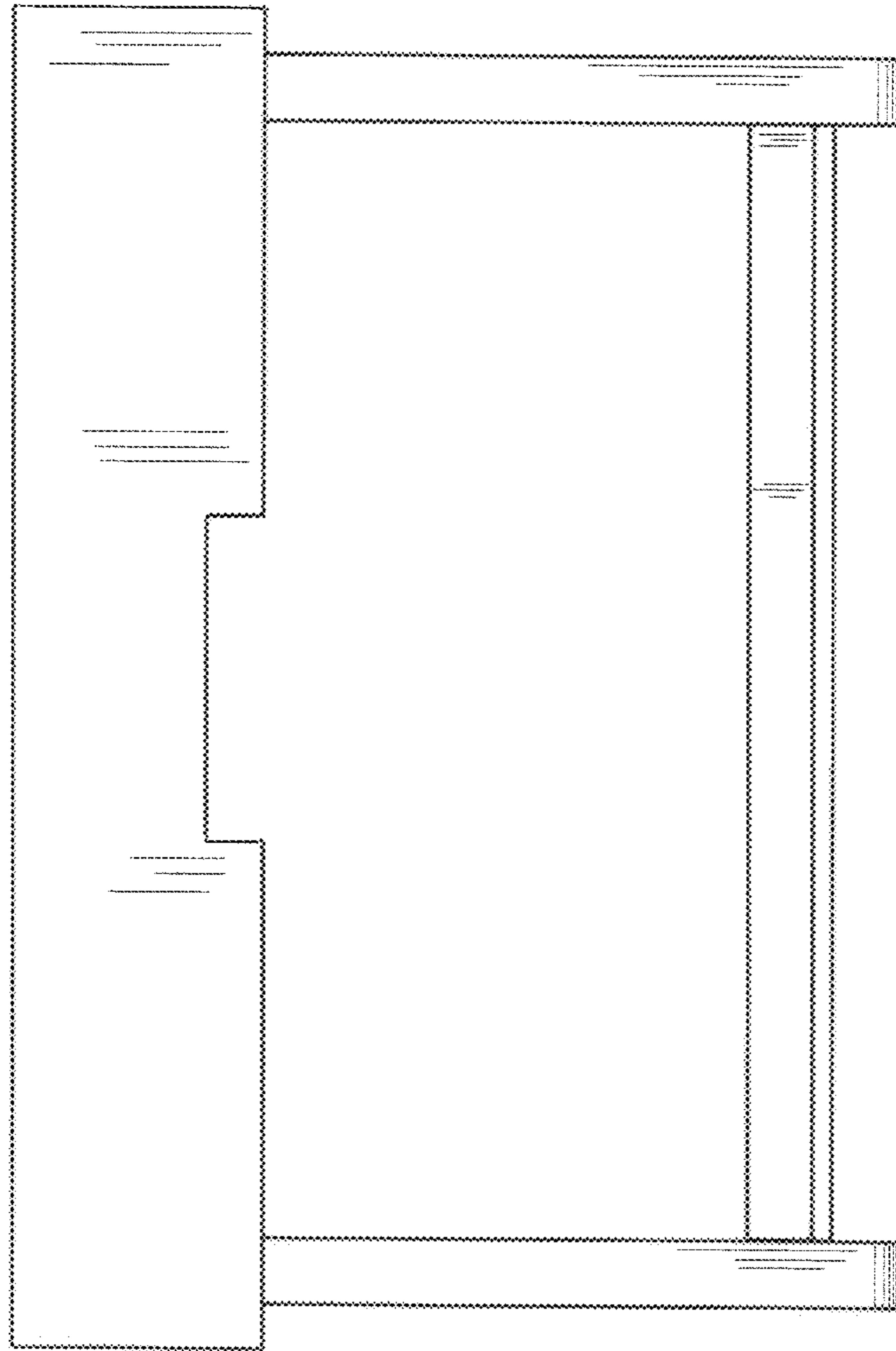


FIG. 5

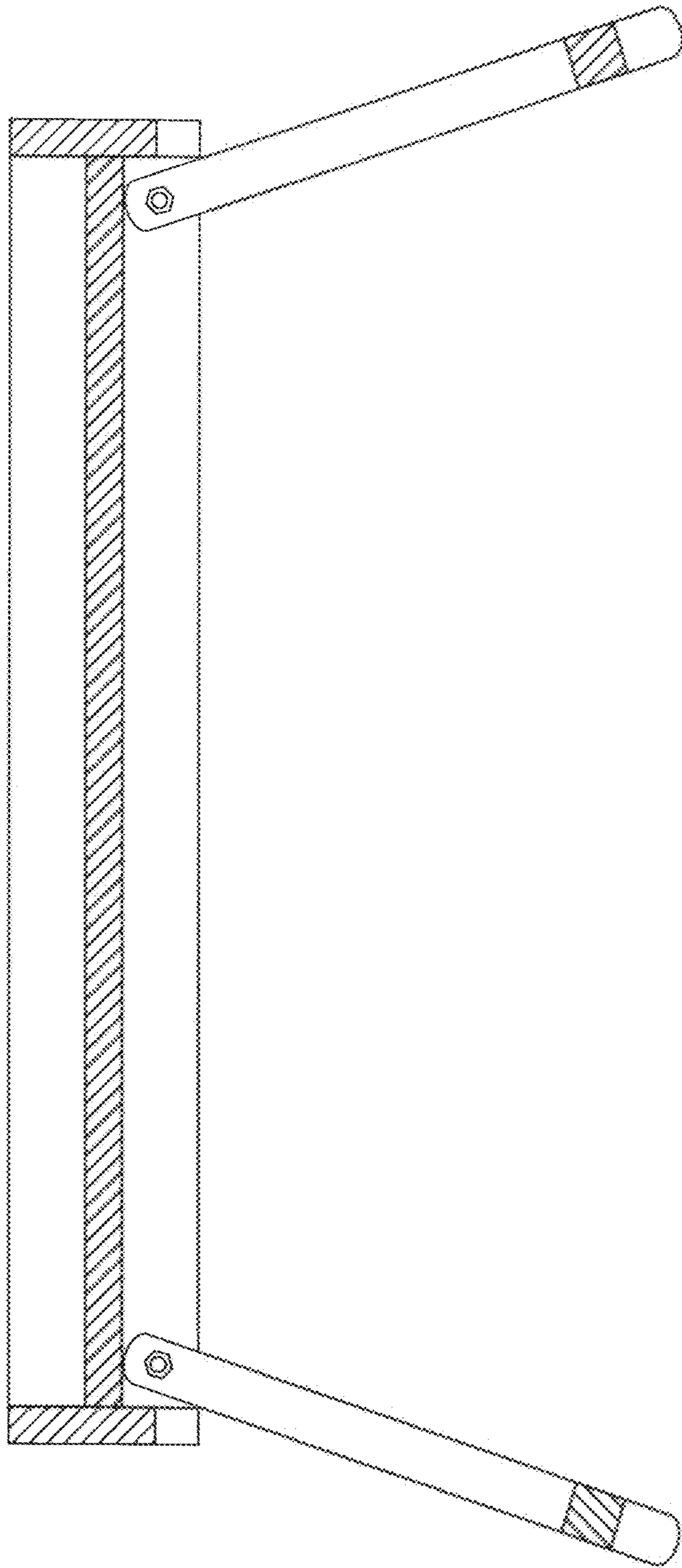


FIG. 6

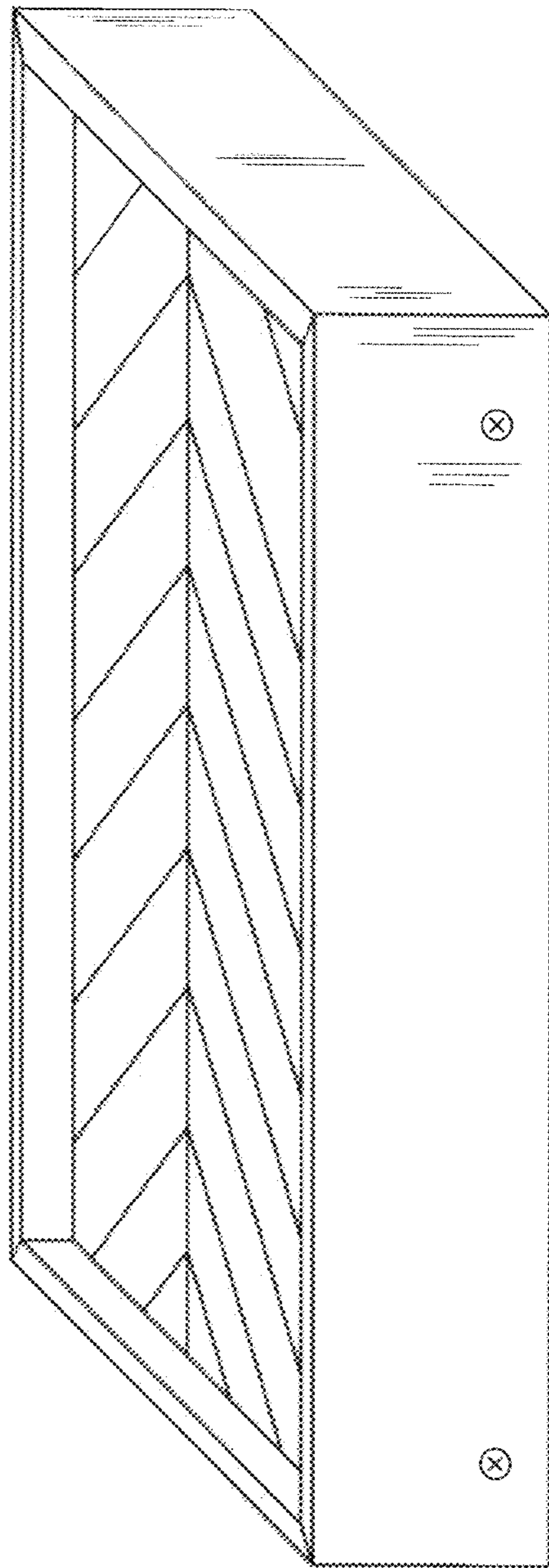


FIG. 7

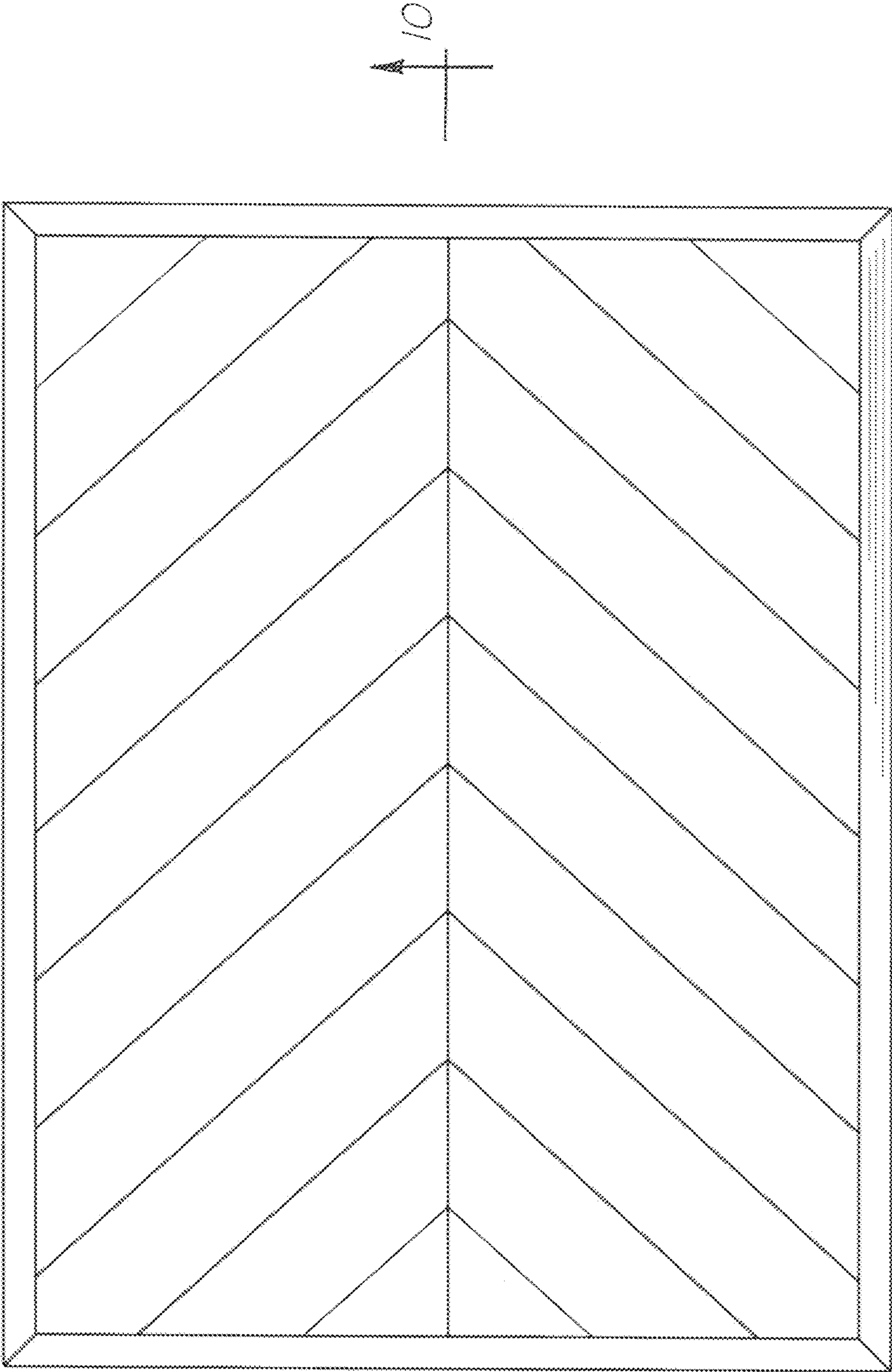


FIG. 8

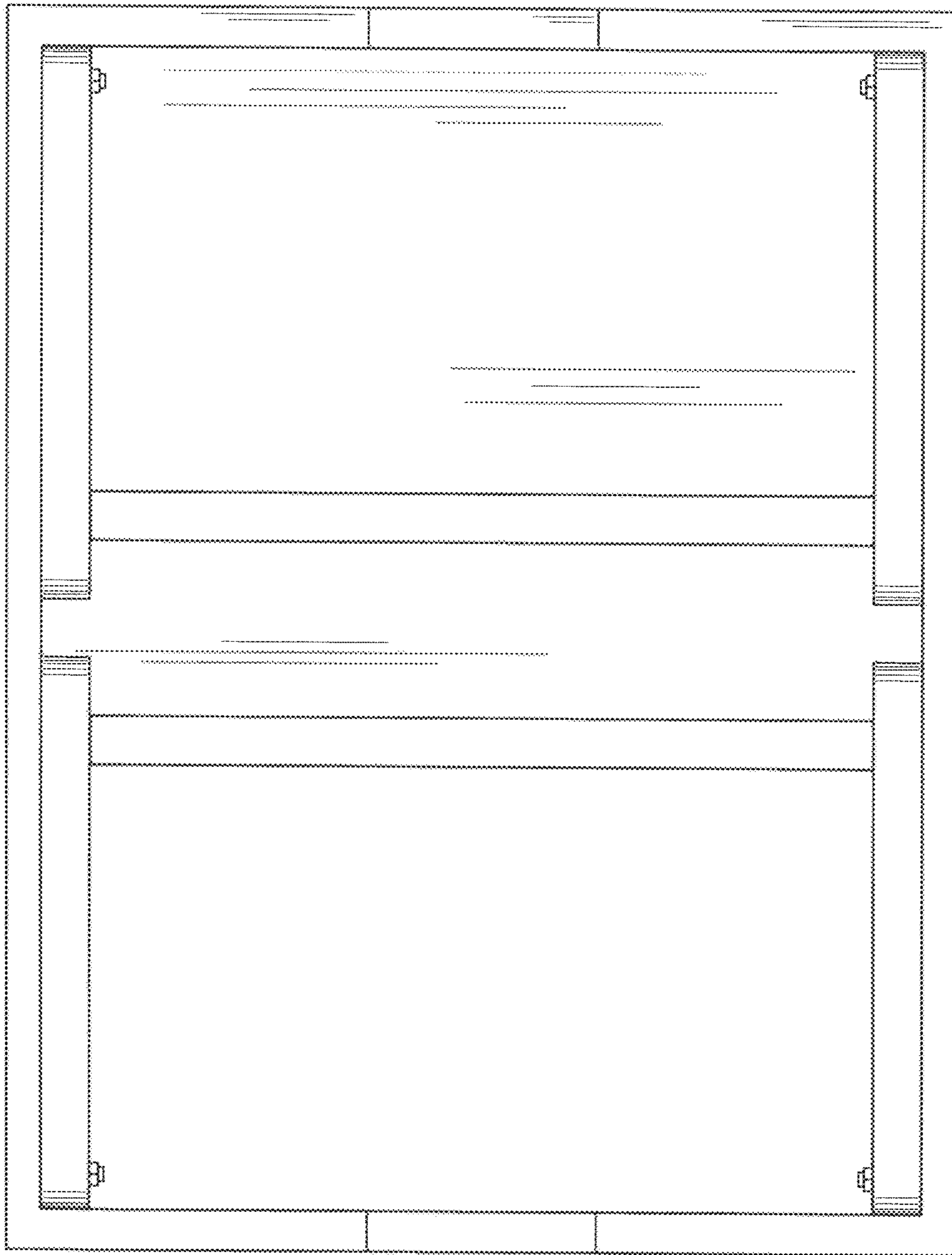


FIG. 9

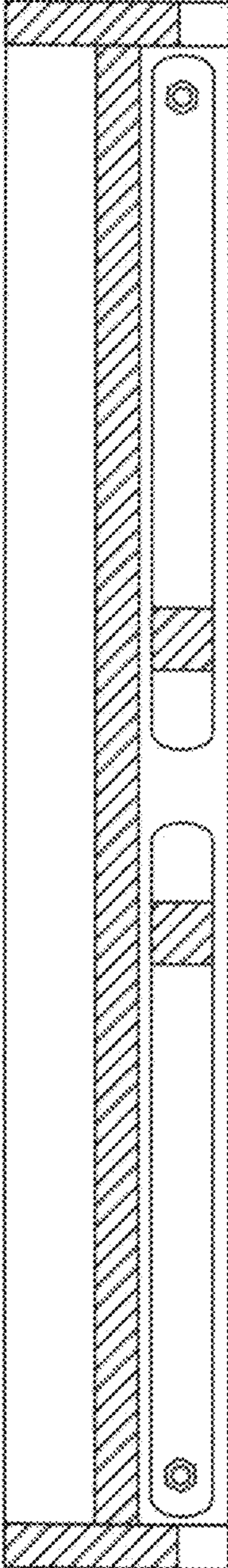


FIG. 10