



US00D926523S

(12) **United States Design Patent**
Henkel

(10) **Patent No.:** **US D926,523 S**

(45) **Date of Patent:** **** Aug. 3, 2021**

(54) **CONTAINER**

(71) Applicant: **MiiR Holdings, LLC**, Seattle, WA
(US)

(72) Inventor: **Geoff Henkel**, Seattle, WA (US)

(73) Assignee: **MiiR Holdings, LLC**, Seattle, WA
(US)

(**) Term: **15 Years**

(21) Appl. No.: **29/708,806**

(22) Filed: **Oct. 9, 2019**

(51) **LOC (13) Cl.** **07-01**

(52) **U.S. Cl.**
USPC **D7/536**; D7/510; D7/511

(58) **Field of Classification Search**
USPC D7/387, 388, 391, 392.1, 396.1, 393,
D7/396, 396.6, 507, 509, 510, 511, 624.1,
D7/624.2, 601, 602, 608, 530, 531, 409,
D7/523; D13/171, 174; D9/435, 436,
D9/454, 455, 456, 439, 443, 450, 434
CPC A47G 19/22; A47G 19/2211; A47G
19/2216; A47F 3/16; A47J 27/21008;
A47J 27/21041

See application file for complete search history.

(56) **References Cited**

U.S. PATENT DOCUMENTS

2,889,065	A *	6/1959	Lawlor	A45D 34/02 215/12.1
3,327,881	A *	6/1967	Maier	A47J 41/02 215/6
3,465,905	A *	9/1969	Schottanes	B65D 77/0486 215/6
D278,121	S *	3/1985	Sussman	D9/504
D289,143	S *	4/1987	Guillaume	D9/445
D289,592	S *	5/1987	Loughridge	D6/518
D316,013	S *	4/1991	Jones	D7/608

D323,758	S *	2/1992	Hoelterscheidt	D7/317
D351,321	S *	10/1994	Steppe, Sr.	D7/608
D363,858	S *	11/1995	Sweeney	D7/608
D395,794	S *	7/1998	Moran	D7/608
D417,127	S *	11/1999	Steadward	D7/608
D429,118	S *	8/2000	Hurlbut	D7/608
D438,376	S *	3/2001	Marshall	D3/257
D466,814	S *	12/2002	Hurlburt	D9/504
D764,870	S *	8/2016	Choi	D7/536
D823,537	S *	7/2018	Beaver	D27/191
D846,995	S *	4/2019	El Beaini	D9/684
D871,844	S *	1/2020	Adams, Jr.	D7/510
D882,111	S *	4/2020	Bib	D24/220
D890,573	S *	7/2020	Jacobsen	D7/510
D909,143	S *	2/2021	Pisarevsky	D7/608

(Continued)

OTHER PUBLICATIONS

https://www.amazon.com/dp/B081B8LV77/ref=cm_sw_em_r_mt_dp_3q4.FbPY3ZKQF?_encoding=UTF8&psc=1 (Year: 2019).*

(Continued)

Primary Examiner — Jae Liang
(74) *Attorney, Agent, or Firm* — Janeway Patent Law
PLLC; John M. Janeway

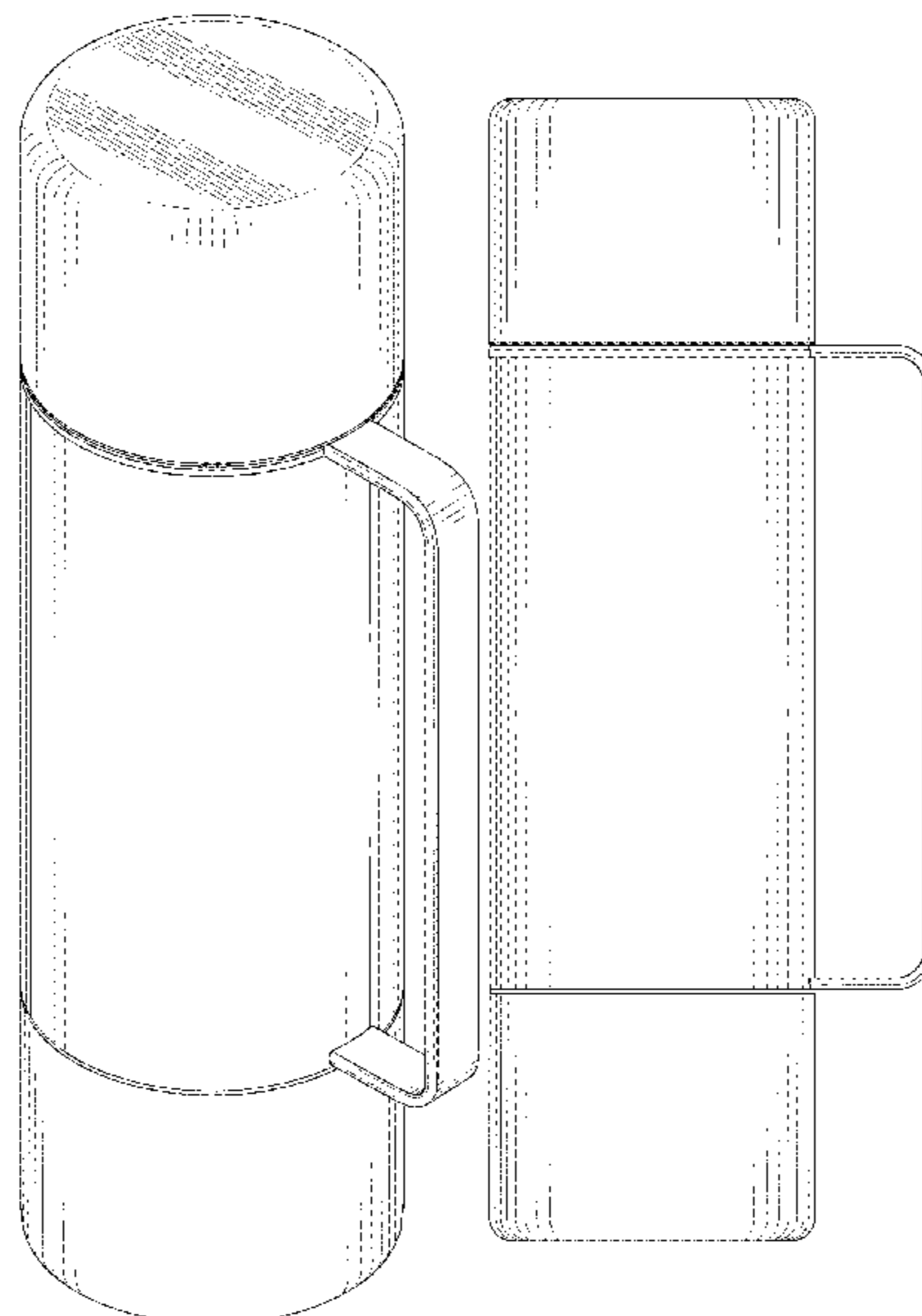
(57) **CLAIM**

The ornamental design for a container, as shown and described.

DESCRIPTION

FIG. 1 is a perspective view of a container showing my new design, according to the invention.
FIG. 2 is a front, elevation view of the container.
FIG. 3 is a rear, elevation view of the container.
FIG. 4 is a left side, elevation view of the container.
FIG. 5 is a right side, elevation view of the container.
FIG. 6 is a top, plan view of the container; and,
FIG. 7 is a bottom, plan view of the container.

1 Claim, 4 Drawing Sheets



(56)

References Cited

U.S. PATENT DOCUMENTS

D913,046 S * 3/2021 Spivey D7/608
2018/0050925 A1 * 2/2018 Gregory B65D 55/14

OTHER PUBLICATIONS

https://www.amazon.com/MAGEDON-Carrier-handheld-Running-jogging/dp/B07FMTQ5Y2/ref=sr_1_25?dchild=1&keywords=thermos+bottle+with+handle&qid=1621704019&sr=8-25 (Year: 2019).*

* cited by examiner

FIG. 1

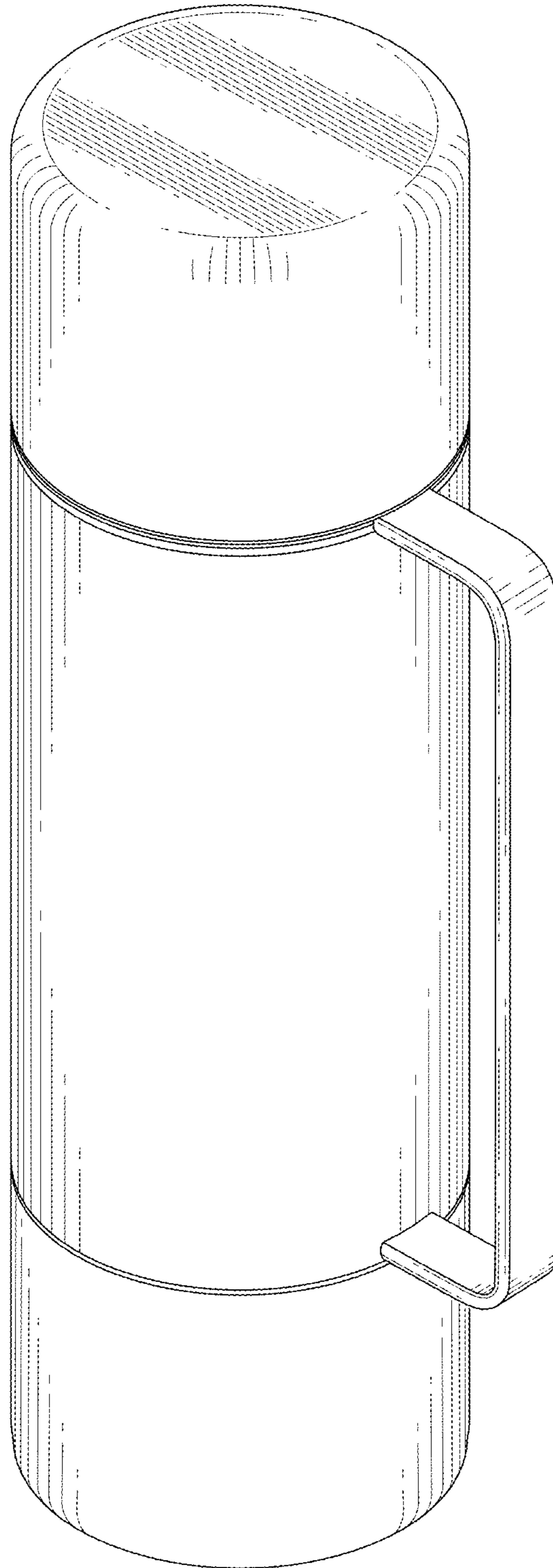


FIG. 2

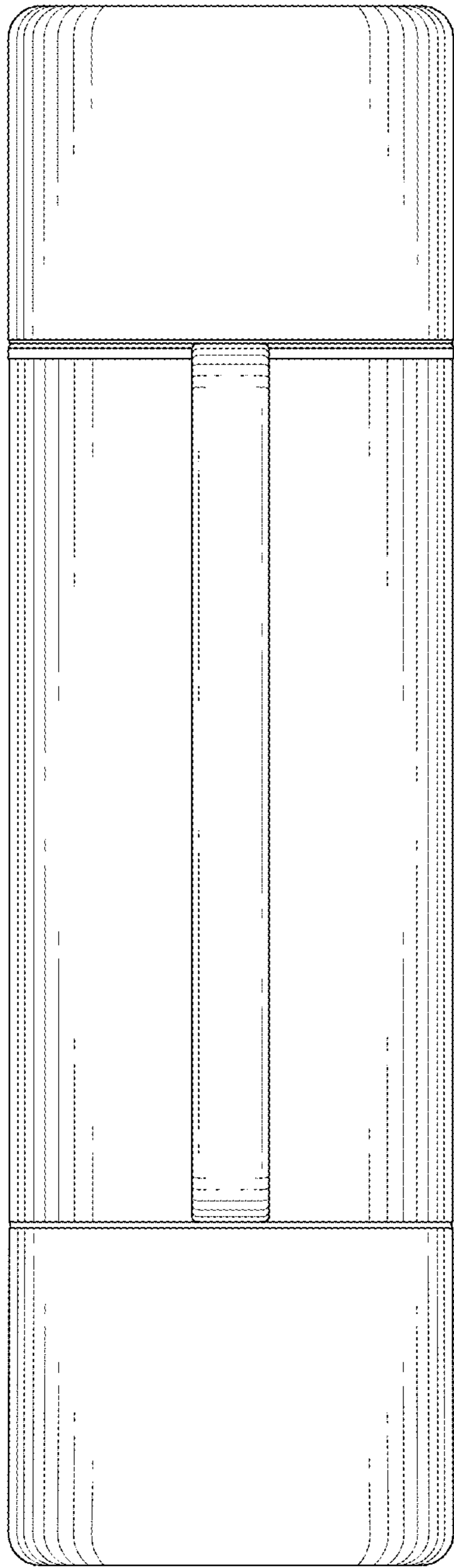


FIG. 3

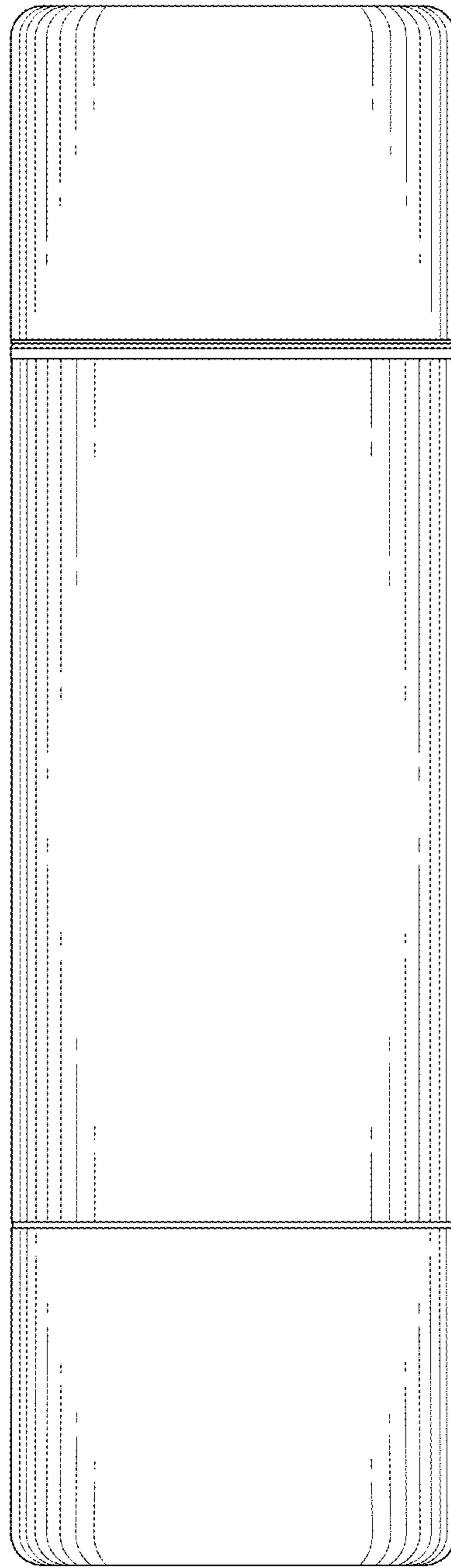


FIG. 4

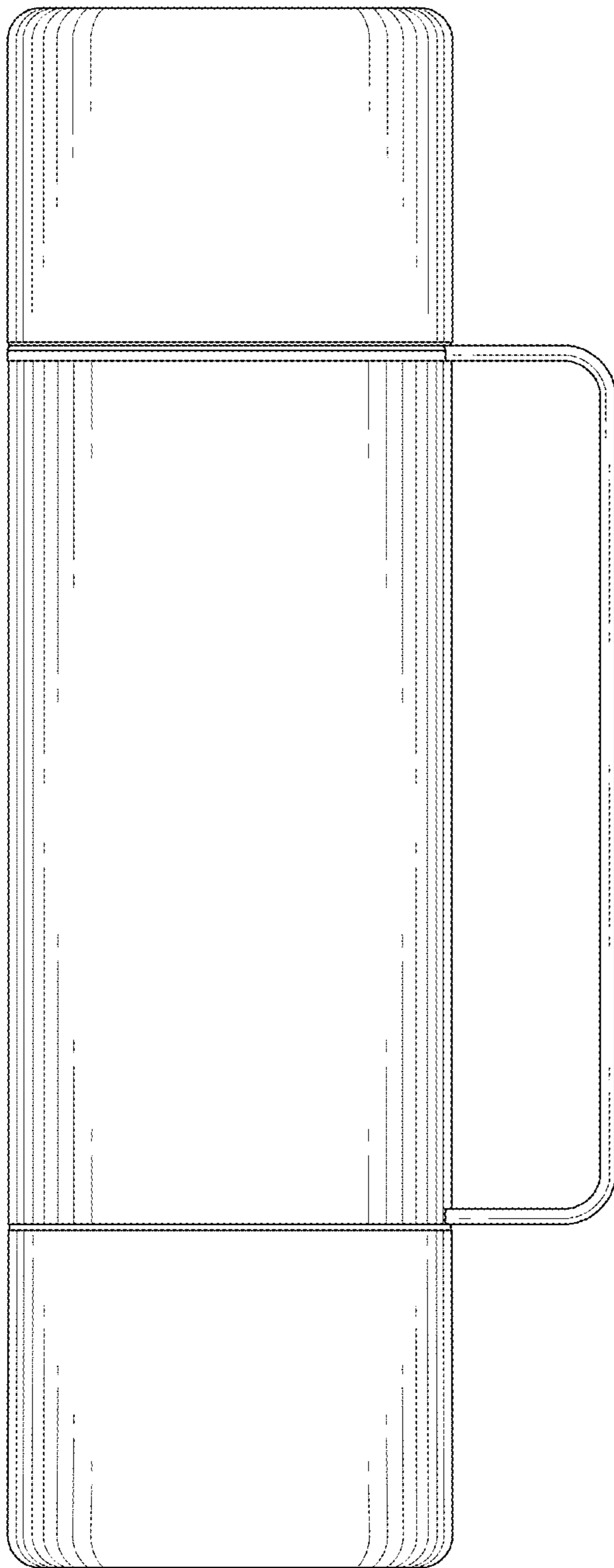


FIG. 5

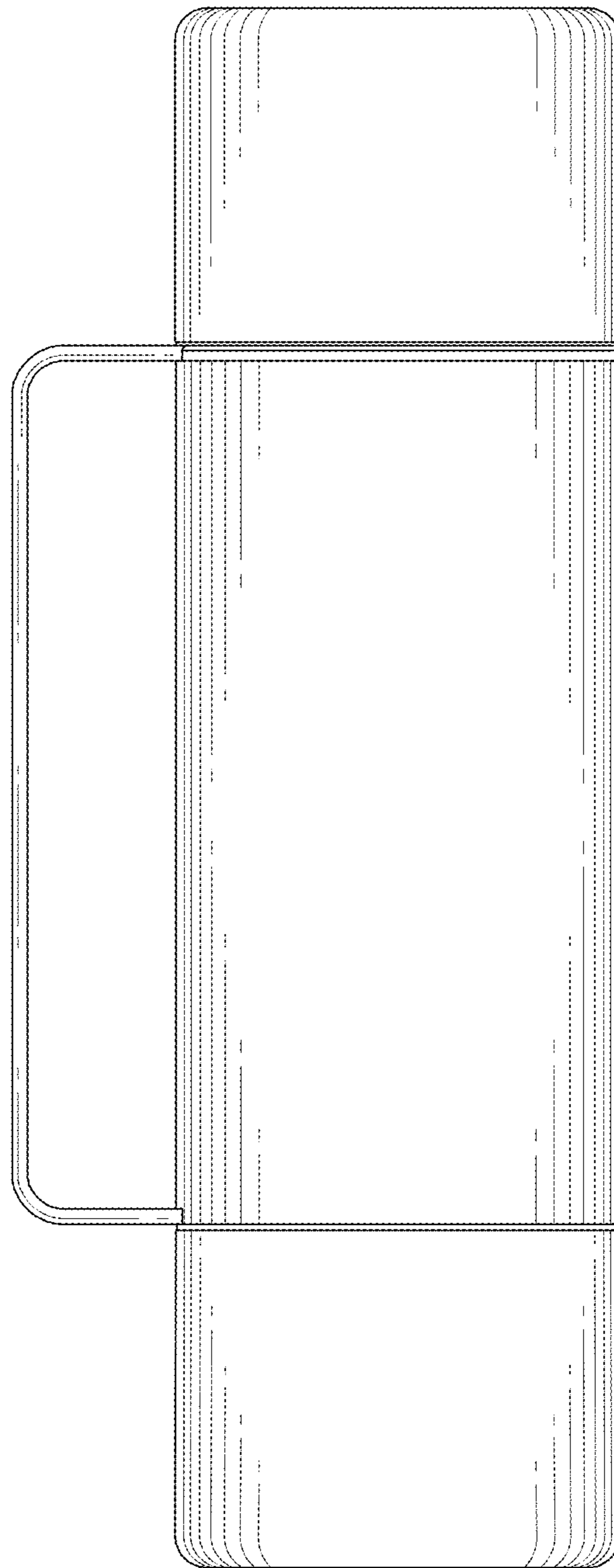


FIG. 6

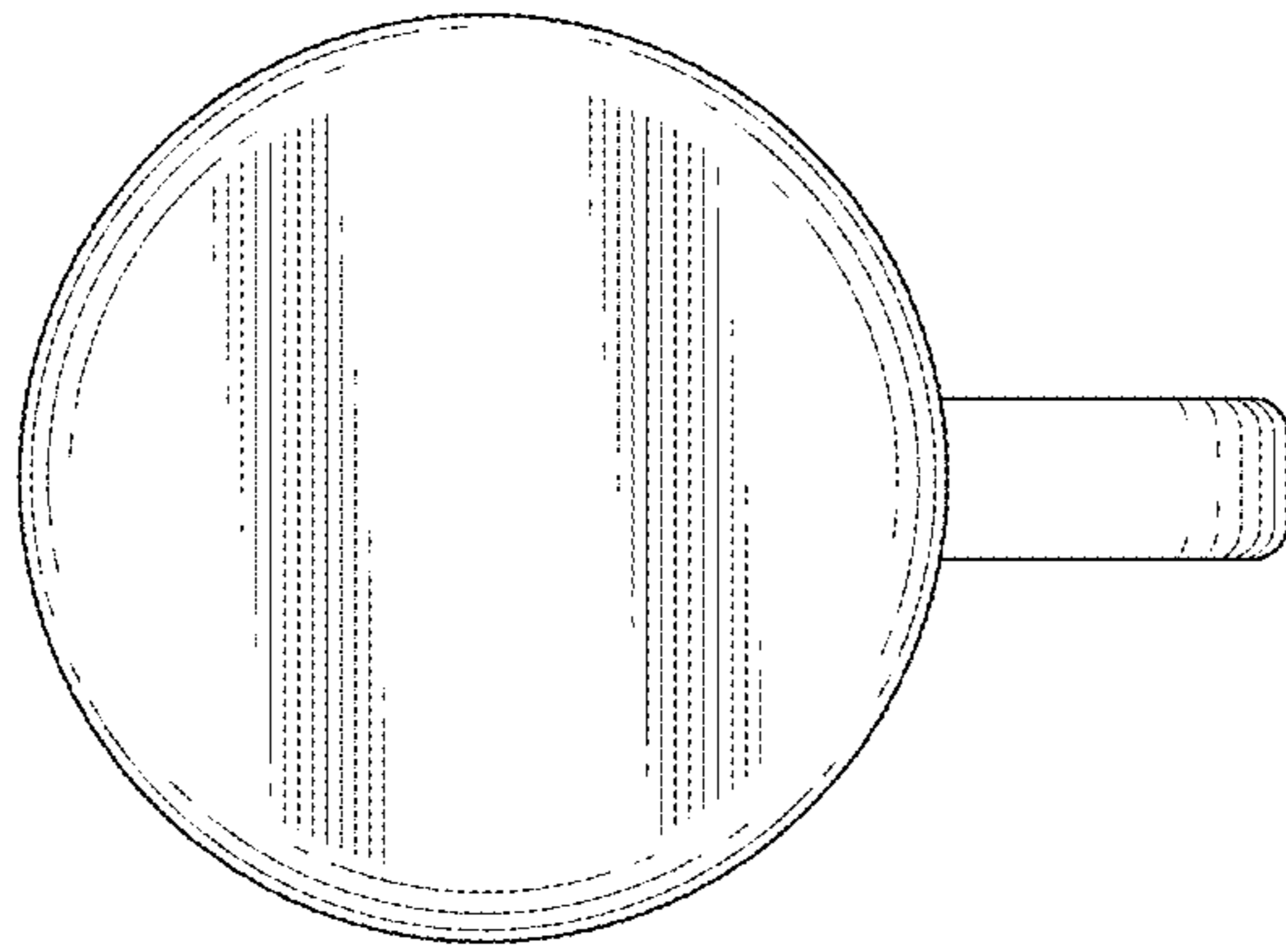


FIG. 7

