



US00D926519S

(12) **United States Design Patent** (10) **Patent No.:** **US D926,519 S**  
**O'Shaughnessy et al.** (45) **Date of Patent:** **\*\* Aug. 3, 2021**

(54) **GRILL SIDE ASSEMBLY**

(71) Applicant: **OHC IP Holdings, LLC**, Eden Prairie, MN (US)

(72) Inventors: **Michael L. O'Shaughnessy**, Edina, MN (US); **James A. Mitlyng**, Minneapolis, MN (US); **Thomas E. McKinney, II**, Minnetonka, MN (US); **Cynthia O'Connor**, Minneapolis, MN (US); **Robb Whittlef**, Minneapolis, MN (US)

(73) Assignee: **OHC IP Holdings, LLC**

(\*\*) Term: **15 Years**

(21) Appl. No.: **29/695,976**

(22) Filed: **Jun. 24, 2019**

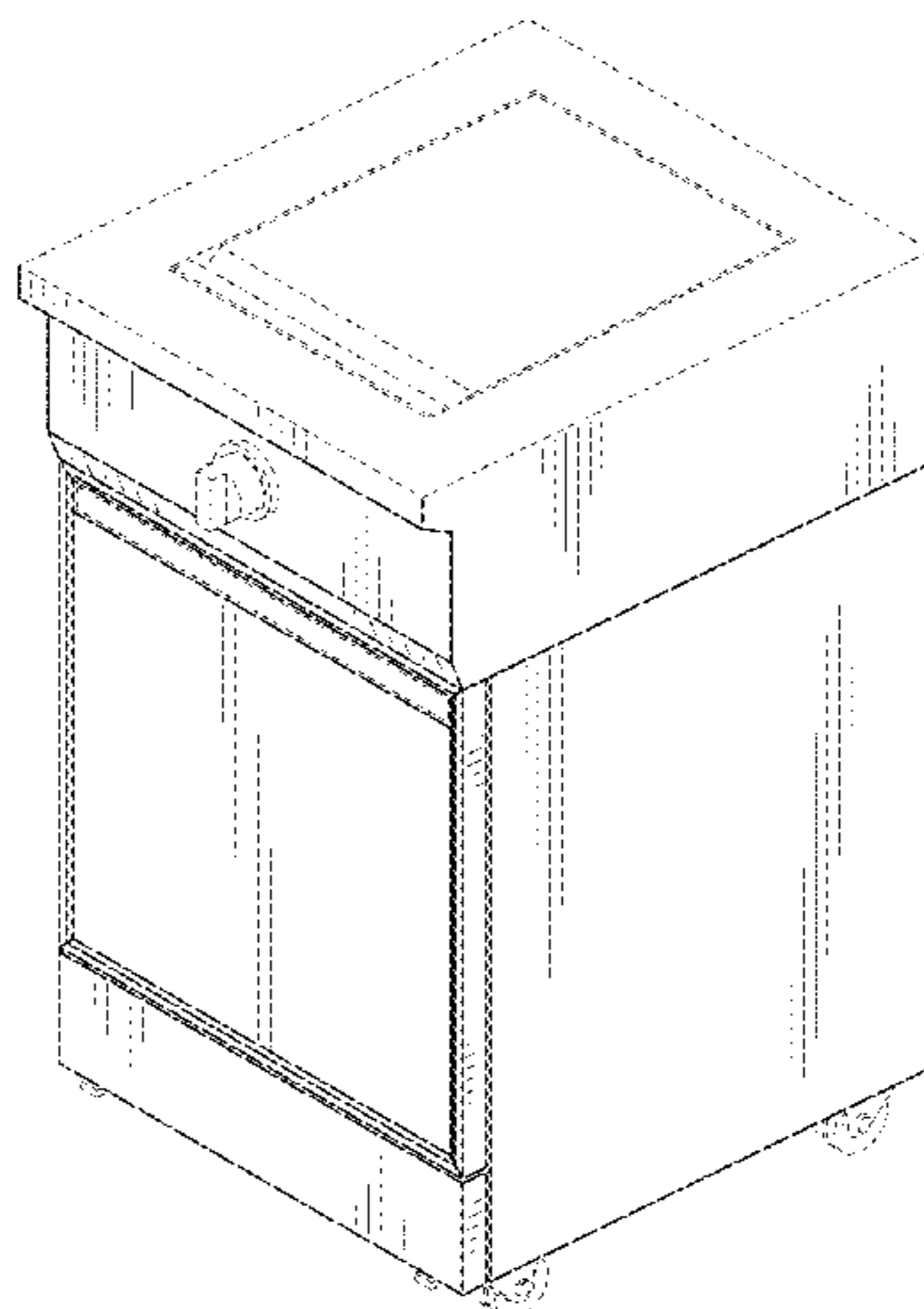
(51) **LOC (13) Cl.** ..... **07-02**

(52) **U.S. Cl.**  
 USPC ..... **D7/405**

(58) **Field of Classification Search**  
 USPC ..... D3/276, 294-296, 905; D6/336, 553, D6/656, 663, 691, 698, 699.2, 699.4, 702, D6/703; D7/332-339, 347, 352, 356, D7/360, 362-366, 402-409; D23/314, D23/332, 335, 339, 343, 345, 348, 415  
 CPC ..... A47B 2003/025; A47B 2003/0821; A47B 2003/0824; A47B 3/02; A47B 3/08; A47B 3/087; A47B 3/091; A47B 33/00; A47B 35/00; A47B 37/04; A47B 47/00; A47B 77/00; A47J 2201/00; A47J 2202/00; A47J 27/00; A47J 33/00; A47J 36/00; A47J 37/00; A47J 43/00; A47J 44/00; F24B 1/00; F24B 3/00; F24B 5/00  
 See application file for complete search history.

4,569,327 A	2/1986	Velten
4,577,772 A	3/1986	Bigliardi
4,887,836 A	12/1989	Simjian
4,949,701 A	8/1990	Krosp et al.
4,984,515 A	1/1991	Pivonka
5,040,809 A	8/1991	Yang
5,050,731 A	9/1991	Baynes et al.
5,065,734 A	11/1991	Elliott
5,261,550 A	11/1993	Karpisek
5,318,322 A	6/1994	Home
5,462,318 A	10/1995	Cooke
5,579,755 A	12/1996	Johnston
5,884,554 A	3/1999	Sprick
6,026,751 A	2/2000	Tsai
6,039,039 A	3/2000	Pina, Jr.
6,316,837 B1	11/2001	Song
6,401,953 B2	6/2002	Kofod
6,439,111 B1	8/2002	Lu
6,439,220 B1	8/2002	Johnson
6,439,221 B1	8/2002	Ward et al.
6,494,419 B2	12/2002	Pai
6,532,951 B1	3/2003	Sallie et al.
6,606,986 B2	8/2003	Holland et al.
6,619,600 B1	9/2003	Johnson et al.
D485,467 S	1/2004	Pai
D491,414 S	6/2004	Nichols et al.
6,792,880 B2	9/2004	Tsai
6,823,858 B1	11/2004	Chen
6,916,028 B2	7/2005	Shapiro
7,080,640 B2	7/2006	Sanders et al.
D533,011 S	12/2006	Pai
D541,576 S	5/2007	Lutz
D546,616 S	7/2007	Tseng
D546,624 S	7/2007	Pai
D547,108 S	7/2007	Tseng
D547,109 S	7/2007	Tseng
D549,035 S	8/2007	Chung
7,360,783 B2	4/2008	Home
D615,799 S	5/2010	Best et al.
D618,951 S	7/2010	Tzeng
7,753,047 B1	7/2010	Trammell
7,856,924 B1	12/2010	Stihi
8,042,829 B2	10/2011	Hailston et al.
8,316,837 B2	11/2012	Malumyan
8,347,874 B2	1/2013	Bruno et al.
8,479,928 B2	7/2013	Tanabe et al.
8,522,769 B2	9/2013	Ducate, Jr. et al.
8,602,017 B2	12/2013	May et al.
RE44,770 E	2/2014	Nichols et al.
8,839,780 B1	9/2014	Bennett et al.
D737,096 S	8/2015	Lee et al.
9,187,108 B2	11/2015	Bruno et al.
9,211,036 B2	12/2015	May et al.

(56) **References Cited**  
 U.S. PATENT DOCUMENTS  
 3,802,413 A 4/1974 Pepin  
 4,211,206 A 7/1980 Darbo



# US D926,519 S

9,316,401	B1	4/2016	Guste	CN	305874918	6/2020
9,392,904	B2	7/2016	Garman	CN	305874919	6/2020
D798,645	S	10/2017	Lira-Nunez et al.	CN	305874920	6/2020
9,783,216	B2	10/2017	Alden et al.	JP	2006223643	8/2006
9,788,690	B2	10/2017	Rosian	KR	200173343	4/2000
9,817,108	B2	11/2017	Kuo et al.	KR	20050102437	10/2005
D805,332	S *	12/2017	Price ..... A47J 37/0786	KR	20130000879	2/2013
			D6/699.2	TW	309958	7/1997
D805,819	S *	12/2017	Price ..... D6/699.2	WO	2004054415	7/2004
D820,010	S *	6/2018	Reyes ..... F24C 15/26	WO	2004072539	8/2004
			D6/663	WO	2015089551	6/2015
10,689,018	B2	6/2020	Patton et al.	WO	2016149408	11/2016
10,702,099	B2	7/2020	O'Shaughnessy et al.	WO	2017095746	6/2017
10,772,466	B2	9/2020	O'Shaughnessy et al.	WO	2017160338	9/2017
D899,176	S	10/2020	Lien	WO	2018183373	10/2018
10,966,569	B2	4/2021	O'Shaughnessy et al.	WO	2020005946	1/2020
2001/0015137	A1	8/2001	Ogrady et al.	WO	2020005969	1/2020
2004/0020482	A1	2/2004	Chen	WO	2020005972	1/2020
2004/0065313	A1	4/2004	Thompson	WO	2020005976	1/2020
2006/0049725	A1	3/2006	Simon	WO	2020005978	1/2020
2006/0225725	A1	10/2006	Rinaldo	WO	2020005981	1/2020
2007/0089724	A1	4/2007	Home			
2007/0152414	A1 *	7/2007	Home ..... B62B 3/10			
			280/47.35			
2008/0066730	A1	3/2008	Ducate			
2008/0245357	A1 *	10/2008	Meether ..... A47J 37/0786			
			126/25 R			
2010/0031950	A1	2/2010	Paslowski			
2010/0269814	A1	10/2010	May et al.			
2010/0326938	A1	12/2010	Zhu et al.			
2011/0025005	A1	2/2011	Howell			
2011/0041831	A1	2/2011	Dettloff			
2011/0168155	A1	7/2011	Gallo			
2011/0168168	A1	7/2011	Schneider			
2011/0168593	A1	7/2011	Neufeld et al.			
2012/0012091	A1	1/2012	Home			
2012/0017890	A1	1/2012	May et al.			
2013/0049311	A1	2/2013	Metters et al.			
2013/0112088	A1	5/2013	May			
2013/0312732	A1	11/2013	Brennan			
2014/0069412	A1	3/2014	Garman			
2014/0090635	A1	4/2014	May			
2014/0165992	A1	6/2014	May et al.			
2014/0261394	A1	9/2014	Evans et al.			
2015/0013667	A1	1/2015	Ho et al.			
2015/0020796	A1	1/2015	Garman et al.			
2015/0118006	A1	4/2015	Wallace-riley			
2016/0305172	A1	10/2016	Grisendi			
2017/0085114	A1	3/2017	Gao et al.			
2017/0095114	A1	4/2017	O'shaughnessy et al.			
2017/0143162	A1	5/2017	Olsen			
2017/0159941	A1 *	6/2017	Kahler ..... F24C 15/26			
2018/0008095	A1	1/2018	Bennett et al.			
2018/0132660	A1	5/2018	Suchevits			
2018/0141576	A1	5/2018	Leffler et al.			
2018/0280677	A1	10/2018	Knight			
2018/0290677	A1	10/2018	Patton et al.			
2018/0310765	A1	11/2018	May et al.			
2019/0380533	A1 *	12/2019	Lien ..... A47J 37/0704			
2020/0000277	A1	1/2020	O'Shaughnessy et al.			
2020/0000278	A1	1/2020	O'Shaughnessy et al.			
2020/0000279	A1	1/2020	O'Shaughnessy et al.			
2020/0000280	A1	1/2020	O'Shaughnessy et al.			
2020/0000281	A1	1/2020	O'Shaughnessy et al.			
2020/0000283	A1	1/2020	O'Shaughnessy et al.			
2020/0390279	A1	12/2020	O'Shaughnessy et al.			
2020/0391779	A1	12/2020	Patton et al.			
2021/0045579	A1	2/2021	O'Shaughnessy et al.			

## OTHER PUBLICATIONS

Nationwide Marketing Group Announces Its Partnership With TYTUS Grills, first available Oct. 9, 2019, TytusGrills.com, [online], [site visited Nov. 27, 2020], Available from internet URL: <https://www.twice.com/retailing/nationwide-marketing-group-announces-its-partnership-with-tytus-grills> (Year: 2019).\*

TYTUS TI404MGGLP Spec Sheet, first available 2020, AppliancesConnection.com, [online], [site visited Nov. 27, 2020], Available from internet URL: <https://static.appliancesconnection.com/attachments/D5f524932e12f6.pdf> (Year: 2020).\*

TYTUS TI400SSBLP341 Spec Sheet, first available 2020, AppliancesConnection.com, [online], [site visited Nov. 27, 2020], Available from internet URL: <https://static.appliancesconnection.com/attachments/D5f524e4ae6c38.pdf> (Year: 2020).\*

TYTUS TI400MWLP Spec Sheet, first available 2020, SamsClub.com, [online], [site visited Nov. 27, 2020], Available from internet URL: <https://content.syndigo.com/asset/9f3410f8-d6c3-48c1-a02c-f5bdbb9f989b/original.pdf> (Year: 2020).\*

TYTUS User Manual 4-Burner Gas Grill and 4-Burner Island Gas Grill with Side Cabinets, first available 2020, TytusGrills.com, [online], [site visited Dec. 1, 2020], Available from internet URL: <https://tytusgrills.com/pages/manualsanddocuments> (Year: 2020).\*

TYTUS Grills, first available 2020, TytusGrills.com, [online], [site visited Dec. 1, 2020], Available from internet URL: <https://tytusgrills.com/collections/grills> (Year: 2020).\*

TYTUS Charcoal Grey Stainless Steel 4 Burner Free Standing Grill, first available 2020, TytusGrills.com, [online], [site visited Nov. 27, 2020], Available from internet URL: <https://tytusgrills.com/collections/grills/products/tytus-charcoal-grey-stainless-steel-4-burner-free-standing-grill> (Year: 2020).\*

"Brown Jordan Outdoor Kitchens," by Denver Stainless Outdoor Kitchens information booklet, Apr. 2018 (28 pages).

Colon, Linda M. "Denver's Post and Panel System is a Hit with Architects, Builders, Developers & Designers," Denver Outdoor Kitchens Jun. 1, 2018 (2 pages).

File History for U.S. Appl. No. 15/262,733 downloaded Aug. 23, 2019 (326 pages).

File History for U.S. Appl. No. 15/937,666 downloaded Aug. 23, 2019 (201 pages).

"First Office Action," for Chinese Patent Application No. 20110876505.3 dated Dec. 18, 2018 (14 pages) with English Translation.

"International Preliminary Report on Patentability," for PCT Application No. PCT/US2016/051319 dated Sep. 27, 2018 (11 pages).

"International Search Report and Written Opinion," for PCT Application No. PCT/US2016/051319 dated Dec. 8, 2016 (14 pages).

"International Search Report and Written Opinion," for PCT Application No. PCT/US2018/024628 dated Jul. 11, 2018 (16 pages).

"Modular Outdoor Kitchen," Char-Broil Medallion Series Outdoor Kitchen information retrieved from <https://www.charbroil.com/grills/modular-outdoor-kitchen> on Aug. 8, 2019 (4 pages).

## FOREIGN PATENT DOCUMENTS

CN	201005546	1/2008
CN	202801180	3/2013
CN	202807780	3/2013
CN	104234616	12/2014
CN	204618011	9/2015
CN	205632566	10/2016
CN	107198467	9/2017

“Origami Kitchen Island Cart with Wheels,” Description and Product Specs at least as early as Aug. 9, 2019 (5 pages).

“Traeger Wood Pellet Grills,” Product Listing found on [www.traegergrills.com](http://www.traegergrills.com) at least as early as Aug. 9, 2019 (4 pages).

“Final Office Action,” for U.S. Appl. No. 15/262,733 dated Sep. 5, 2019 (14 pages).

“International Preliminary Report on Patentability,” for PCT Application No. PCT/US2018/024628 dated Oct. 10, 2019 (13 pages).

“International Search Report and Written Opinion,” for PCT Application No. PCT/US2019/038993 dated Oct. 15, 2019 (13 pages).

“International Search Report and Written Opinion,” for PCT Application No. PCT/US2019/039024 dated Oct. 15, 2019 (14 pages).

“International Search Report and Written Opinion,” for PCT Application No. PCT/US2019/039027 dated Oct. 15, 2019 (13 pages).

“International Search Report and Written Opinion,” for PCT Application No. PCT/US2019/039034 dated Oct. 15, 2019 (12 pages).

“International Search Report and Written Opinion,” for PCT Application No. PCT/US2019/039039 dated Oct. 16, 2019 (14 pages).

“International Search Report and Written Opinion,” for PCT Application No. PCT/US2019/039042 dated Oct. 16, 2019 (13 pages).

“Non-Final Office Action,” for U.S. Appl. No. 16/450,303 dated Oct. 24, 2019 (19 pages).

“Non-Final Office Action,” for U.S. Appl. No. 16/450,541 dated Oct. 1, 2019 (21 pages).

“Second Office Action,” for Chinese Patent Application No. 201610876505.3 dated Aug. 29, 2019 (4 pages) with English Translation.

“Sunco Outdoor Kitchen,” Mar. 16, 2018 URL <<https://www.sunco.com.au/shop/bbqs/sc100-xspec-four-burner-outdoor-kitchen/>> (3 pages).

“Char-Broil Modular Outdoor Kitchen,” Char Broil webpage Apr. 29, 2019, retrieved on Aug. 8, 2019, <https://www.charbroil.com/grills/outdoor-kitchens/modular-outdoor-kitchen> (4 pages).

“Denver’s Post and Panel System,” Denver webpage Jun. 1, 2018, retrieved on Aug. 8, 2019, <https://denver.com/blog/post-and-panel-system/> (2 pages).

“Final Office Action,” for U.S. Appl. No. 16/450,541 dated Feb. 5, 2020 (19 pages).

“Non-Final Office Action,” for U.S. Appl. No. 15/262,733 dated Jan. 8, 2020 (18 pages).

“Notice of Allowance,” for U.S. Appl. No. 15/937,666 dated Feb. 18, 2020 (14 pages).

“Notice of Allowance,” for U.S. Appl. No. 16/450,303 dated Feb. 14, 2020 (13 pages).

“Notice of Allowance,” for U.S. Appl. No. 16/450,541 dated May 14, 2020 (12 pages).

“Origami Carts and Racks,” Origami webpage Apr. 20, 2016, retrieved on Dec. 9, 2019 via [web.archive.org](http://web.archive.org), <https://origamirack.com>, 5 pages.

“Response to Final Office Action,” for U.S. Appl. No. 15/262,733, filed Dec. 5, 2019 (11 pages).

“Response to Final Office Action,” for U.S. Appl. No. 16/450,541, filed May 5, 2020 (7 pages).

“Response to Non Final Office Action,” for U.S. Appl. No. 16/450,541, filed Dec. 30, 2019 (16 pages).

“Third Office Action,” for Chinese Patent Application No. 201610876505.3 dated Mar. 19, 2020 (8 pages) with English Translation.

“Traeger Wood Pellet Grills,” Traeger Grills webpage Apr. 7, 2006, retrieved on Dec. 9, 2019 via [web.archive.org](http://web.archive.org), <https://www.traegergrills.com> (2 pages).

“Ex Parte Quayle Action,” for U.S. Appl. No. 29/695,966, mailed Dec. 11, 2020 (23 pages).

“Ex Parte Quayle Action,” for U.S. Appl. No. 29/695,973 mailed Dec. 11, 2020 (23 pages).

“Fourth Office Action,” for Chinese Patent Application No. 201610876505.3 dated Sep. 30, 2020 (11 pages) with English Summary.

Morgan, Grant “Nationwide Marketing Group Announces Its Partnership with TYTUS Grills,” first available online Oct. 9, 2019, [TytusGrills.com](http://TytusGrills.com), [online], [site visited Nov. 27, 2020], available from internet URL: <https://www.twice.com/retailing/nationwide-marketing-group-announces-its-partnership-with-tytus-grills> (year: 2019).

“Non-Final Office Action,” for U.S. Appl. No. 16/450,356 dated Nov. 18, 2020 (31 pages).

“Non-Final Office Action,” for U.S. Appl. No. 16/450,493 dated Nov. 2, 2020 (26 pages).

“Non-Final Office Action,” for U.S. Appl. No. 16/450,510 dated Dec. 14, 2020 (32 pages).

“Notice of Allowance,” for U.S. Appl. No. 16/450,388 dated Dec. 1, 2020 (27 pages).

“TYTUS Charcoal Grey Stainless Steel 4 Burner Free Standing Grill,” first available 2020, [TytusGrills.com](http://TytusGrills.com), [online], [site visited Nov. 27, 2020], Available from internet URL: <https://tytusgrills.com/collections/grills/products/tytus-charcoal-grey-stainless-steel-4-burner-free-standing-grill> (Year: 2020), 5 pages.

“TYTUS Grills,” first available 2020, [TytusGrills.com](http://TytusGrills.com), [online], [site visited Dec. 1, 2020], Available from internet URL: <https://tytusgrills.com/collections/grills> (Year: 2020), 3 pages.

“TYTUS TI404MGGLP Spec Sheet,” first available 2020, [AppliancesConnection.com](http://AppliancesConnection.com), [online], [site visited Nov. 27, 2020], Available from internet URL: <https://static.appliancesconnection.com/attachments/D5f524932e12f6.pdf> (Year: 2020), 2 pages.

“TYTUS TI400MWLP Spec Sheet,” first available 2020, [SamsClub.com](http://SamsClub.com), [online], [site visited Nov. 27, 2020], Available from internet URL: <https://content.syndigo.com/asset/9f3410f8-d6c3-48c1-a02c-f5bdbb9f989b/original.pdf> (Year: 2020), 2 pages.

“TYTUS TI400SSBLP341 Spec Sheet,” first available 2020, [AppliancesConnection.com](http://AppliancesConnection.com), [online], [site visited Nov. 27, 2020], Available from internet URL: <https://static.appliancesconnection.com/attachments/D5f524e4ae6c38.pdf> (Year: 2020), 2 pages.

“TYTUS User Manual 4-Burner Gas Grill and 4-Burner Island Gas Grill with Side Cabinets,” first available 2020, [TytusGrills.com](http://TytusGrills.com), [online], [site visited Dec. 1, 2020], Available from internet URL: <https://tytusgrills.com/pages/manualsanddocuments> (Year: 2020), 60 pages).

“International Preliminary Report on Patentability,” for PCT Application No. PCT/US2019/038993 dated Jan. 7, 2021 (9 pages).

“International Preliminary Report on Patentability,” for PCT Application No. PCT/US2019/039024 dated Jan. 7, 2021 (10 pages).

“International Preliminary Report on Patentability,” for PCT Application No. PCT/US2019/039027 dated Jan. 7, 2021 (9 pages).

“International Preliminary Report on Patentability,” for PCT Application No. PCT/US2019/039034 dated Jan. 7, 2021 (8 pages).

“International Preliminary Report on Patentability,” for PCT Application No. PCT/US2019/039039 dated Jan. 7, 2021 (10 pages).

“International Preliminary Report on Patentability,” for PCT Application No. PCT/US2019/039042 dated Jan. 7, 2021 (9 pages).

“Response to Non Final Office Action,” for U.S. Appl. No. 16/450,493, filed Feb. 2, 2021 (11 pages).

“Notice of Allowance,” for U.S. Appl. No. 29/695,956 dated Mar. 24, 2021 (18 pages).

“Notice of Allowance,” for U.S. Appl. No. 16/450,356 dated Feb. 26, 2021 (17 pages).

“Notice of Allowance,” for U.S. Appl. No. 16/450,493 dated Feb. 12, 2021 (21 pages).

“Notice of Allowance,” for U.S. Appl. No. 16/450,510 dated Mar. 22, 2021 (18 pages).

“Notice of Allowance,” for U.S. Appl. No. 29/695,966 dated Mar. 1, 2021 (14 pages).

“Notice of Allowance,” for U.S. Appl. No. 29/695,973 dated Mar. 3, 2021 (16 pages).

“Response after Ex Parte Quayle Action,” for U.S. Appl. No. 29/695,966, filed Feb. 9, 2021 (4 pages).

“Response after Ex Parte Quayle Action,” for U.S. Appl. No. 29/695,973, filed Feb. 9, 2021 (3 pages).

“Response to Non Final Office Action,” for U.S. Appl. No. 16/450,356, filed Feb. 17, 2021 (11 pages).

“Response to Non Final Office Action,” for U.S. Appl. No. 16/450,510, filed Mar. 12, 2021 (11 pages).

\* cited by examiner

Primary Examiner — Mary Ann Calabrese

Assistant Examiner — Natalya M Rapundalo

(74) *Attorney, Agent, or Firm* — Pauly, DeVries Smith & Deffner LLC

(57)

**CLAIM**

The ornamental design for a grill side assembly, as shown and described.

**DESCRIPTION**

FIG. 1 is a front perspective view of a right grill side assembly.

FIG. 2 is a front view of the right grill side assembly.

FIG. 3 is a right side view of the right grill side assembly.

FIG. 4 is a left side view of the right grill side assembly.

FIG. 5 is a top view of the right grill side assembly.

FIG. 6 is a front perspective view of an alternate right grill side assembly with a wood finish.

FIG. 7 is a front view of the right grill side assembly of FIG. 6.

FIG. 8 is a right side view of the right grill side assembly of FIG. 6.

FIG. 9 is a left side view of the right grill side assembly of FIG. 6.

FIG. 10 is a top view of the right grill side assembly of FIG. 6.

FIG. 11 is a front perspective view of a further alternate right grill side assembly with a stone finish.

FIG. 12 is a front view of the right grill side assembly of FIG. 11.

FIG. 13 is a right side view of the right grill side assembly of FIG. 11.

FIG. 14 is a left side view of the right grill side assembly of FIG. 11.

FIG. 15 is a top view of the right grill side assembly of FIG. 11.

FIG. 16 is a front perspective view of a left grill side assembly.

FIG. 17 is a front view of the left grill side assembly of FIG. 16.

FIG. 18 is a right side view of the left grill side assembly of FIG. 16.

FIG. 19 is a left side view of the left grill side assembly of FIG. 16.

FIG. 20 is a top view of the left grill side assembly of FIG. 16.

FIG. 21 is a front perspective view of an alternate left grill side assembly with a wood finish.

FIG. 22 is a front view of the left grill side assembly of FIG. 21.

FIG. 23 is a right side view of the left grill side assembly of FIG. 21.

FIG. 24 is a left side view of the left grill side assembly of FIG. 21.

FIG. 25 is a top view of the left grill side assembly of FIG. 21.

FIG. 26 is a front perspective view of a further alternate left grill side assembly with a stone finish.

FIG. 27 is a front view of the left grill side assembly of FIG. 26.

FIG. 28 is a right side view of the left grill side assembly of FIG. 26.

FIG. 29 is a left side view of the left grill side assembly of FIG. 26; and,

FIG. 30 is a top view of the left grill side assembly of FIG. 26.

The broken lines in the drawings illustrate portions of the article that form no part of the claimed design. The back view and bottom view of the grill side assembly form no part of the claimed design.

**1 Claim, 30 Drawing Sheets**

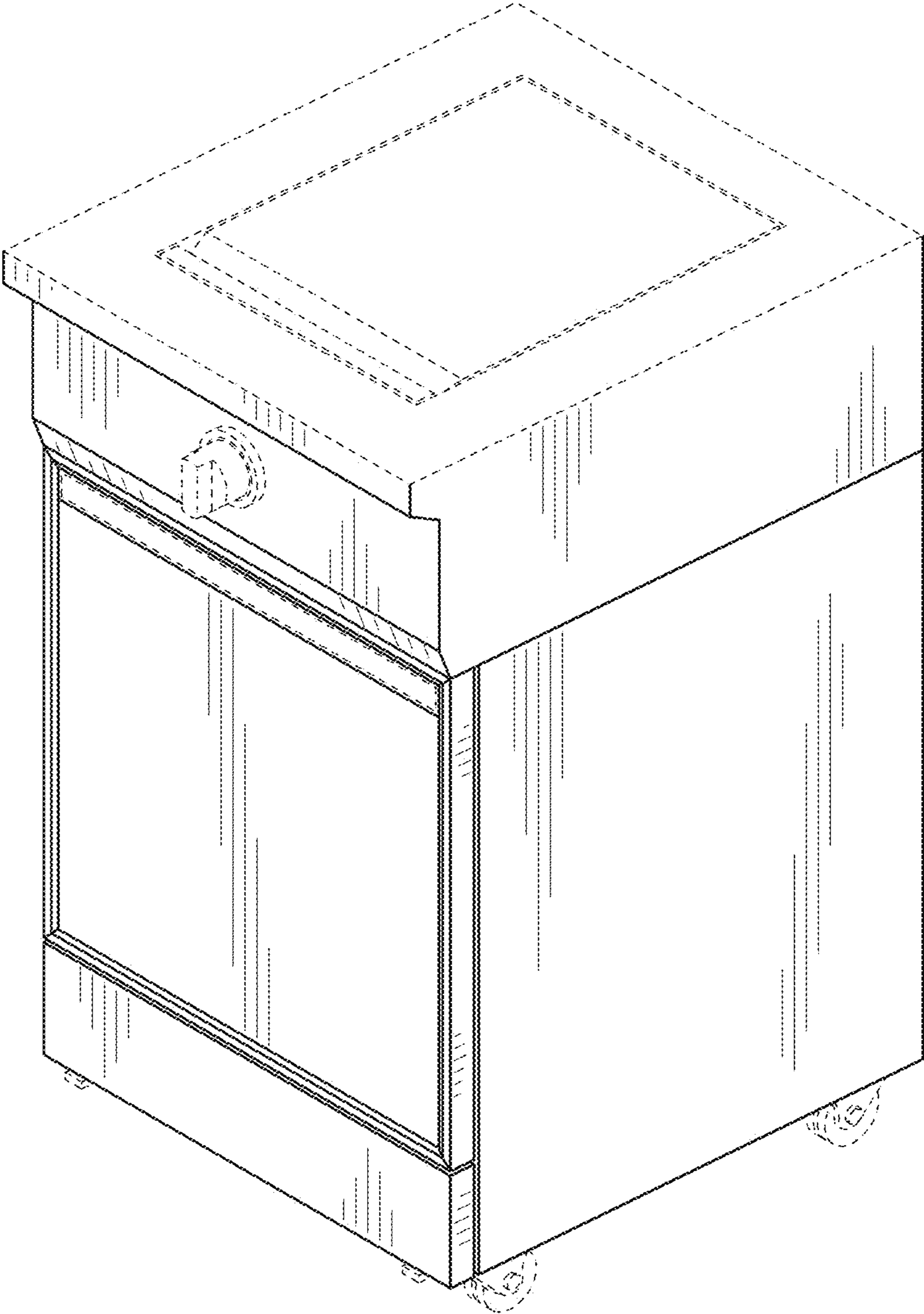


FIG. 1

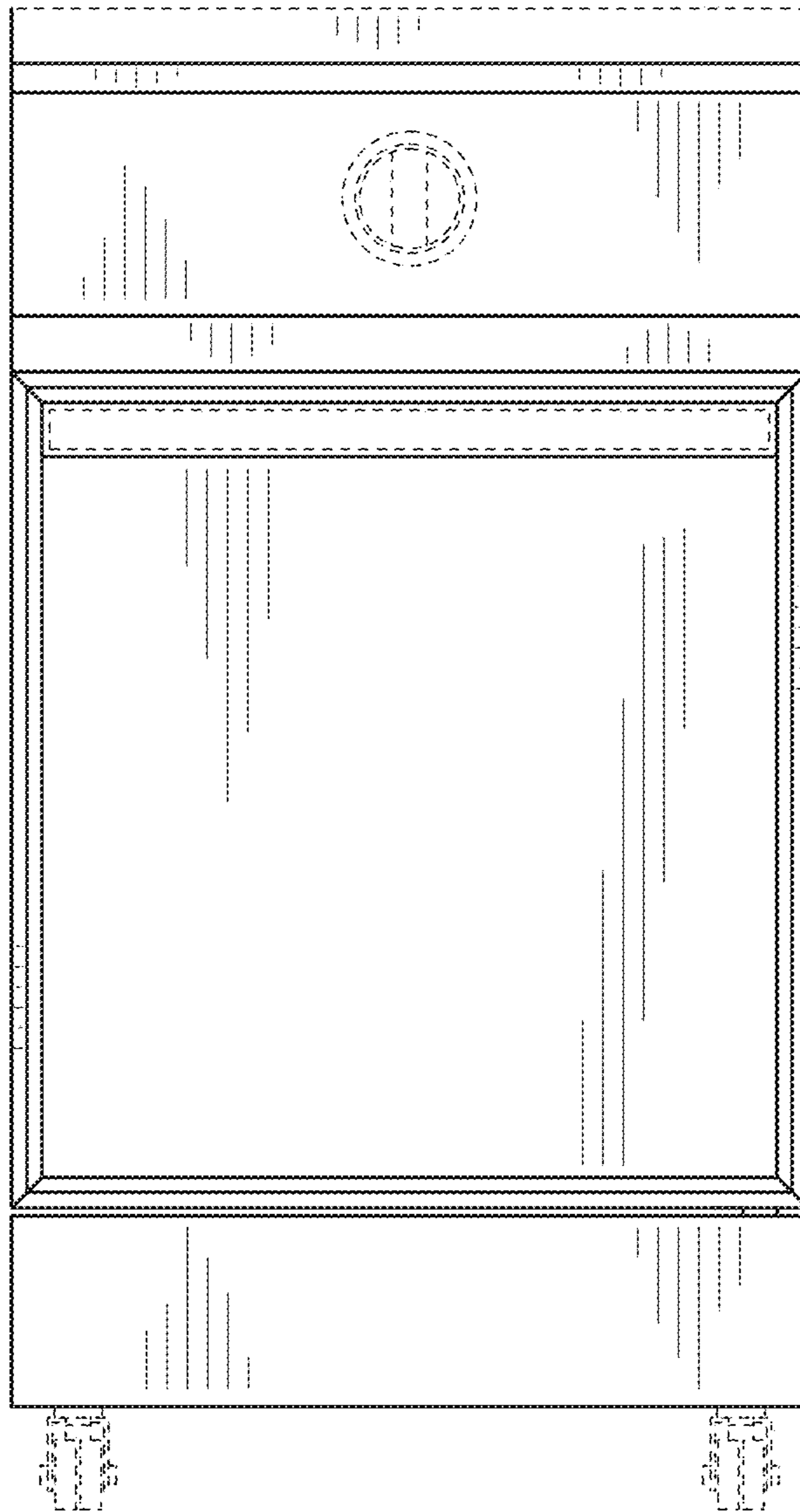


FIG. 2

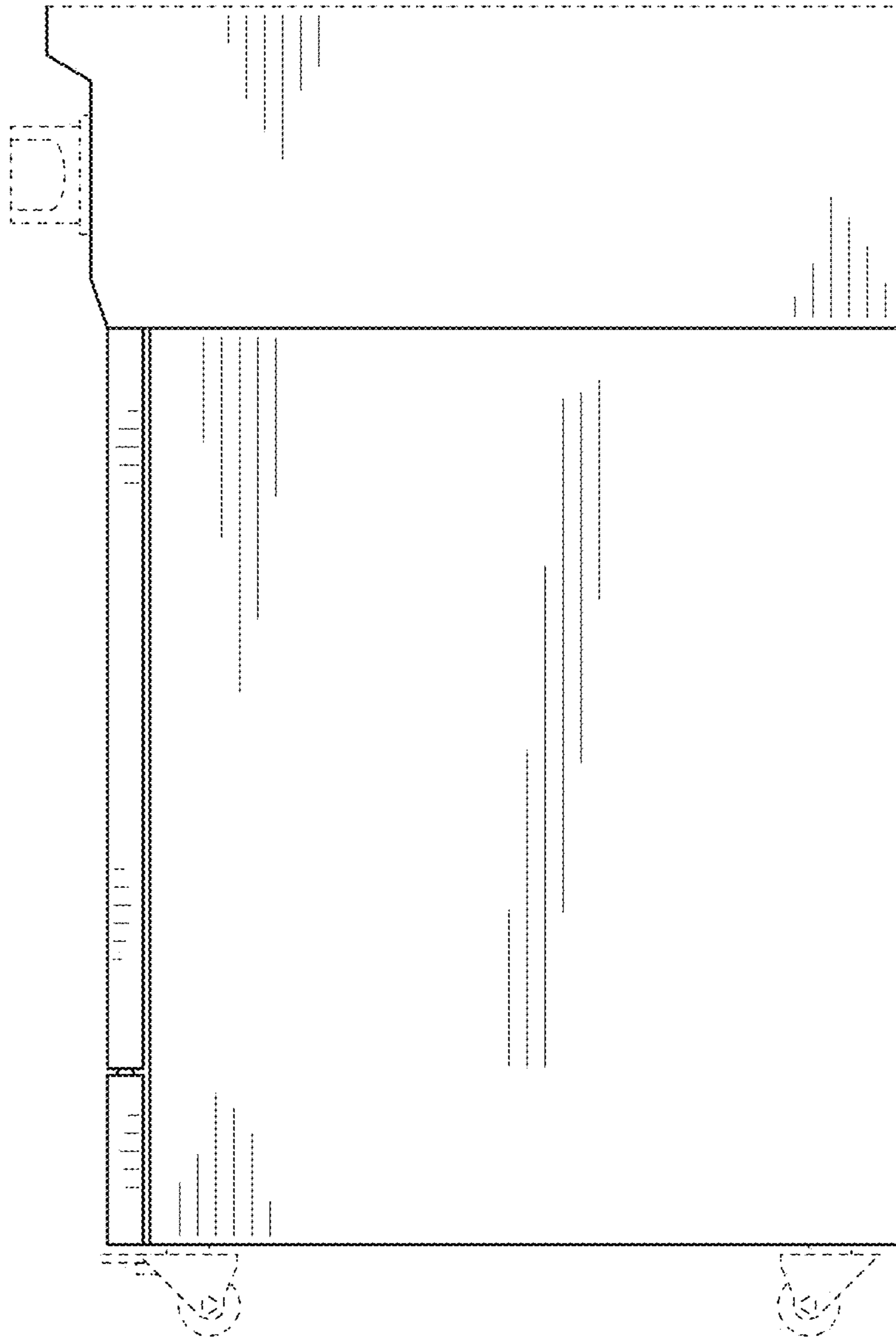


FIG. 3

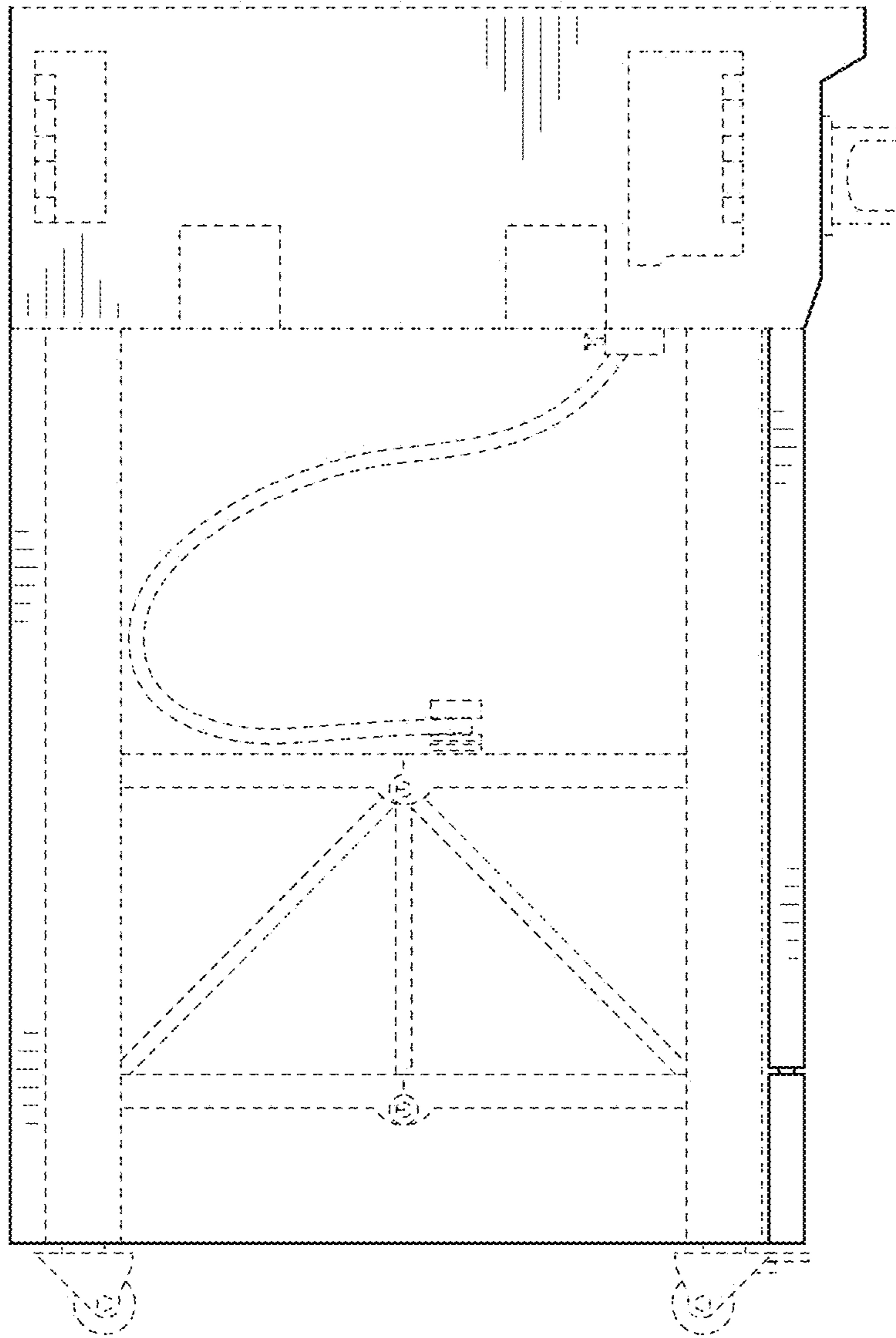


FIG. 4



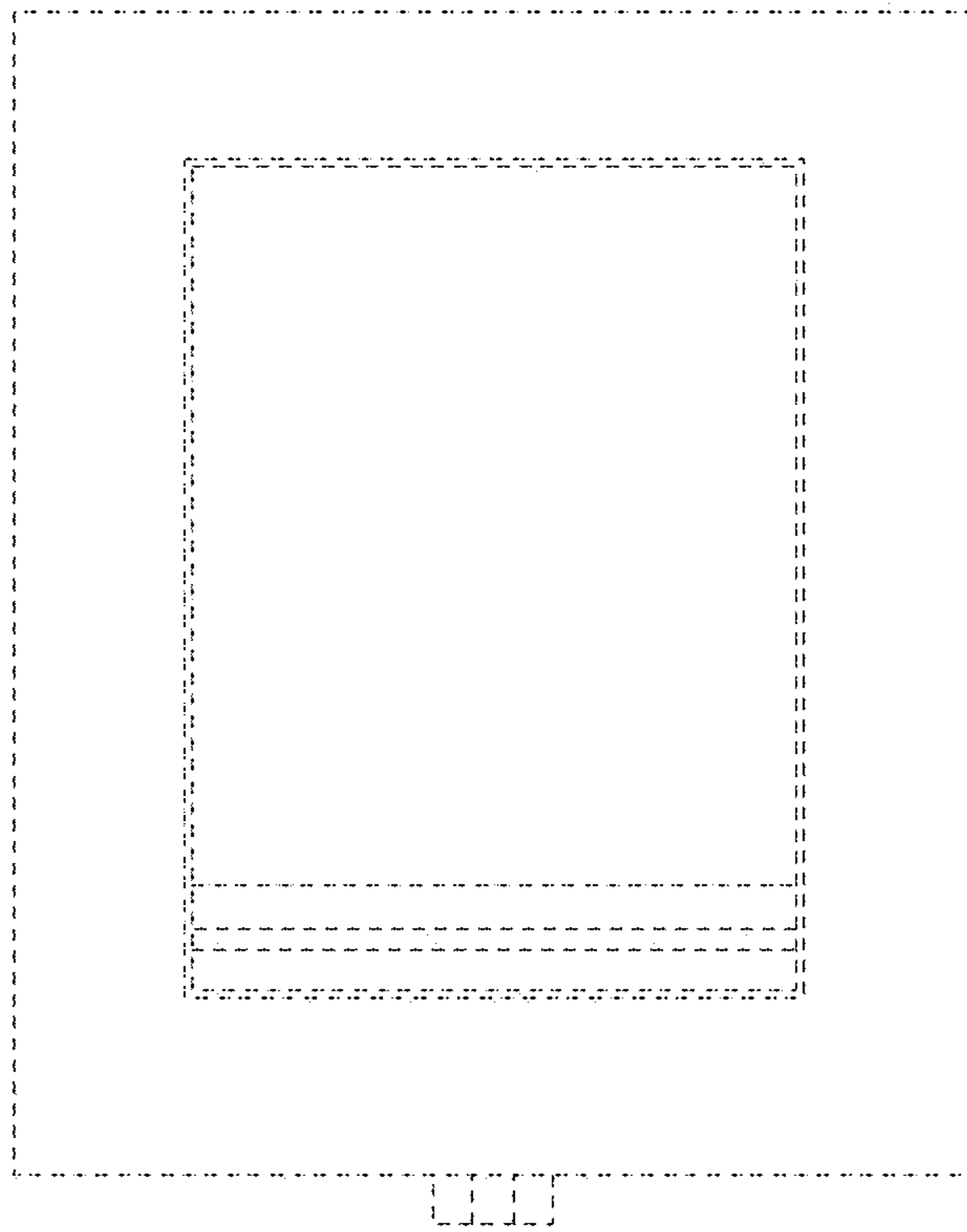


FIG. 5

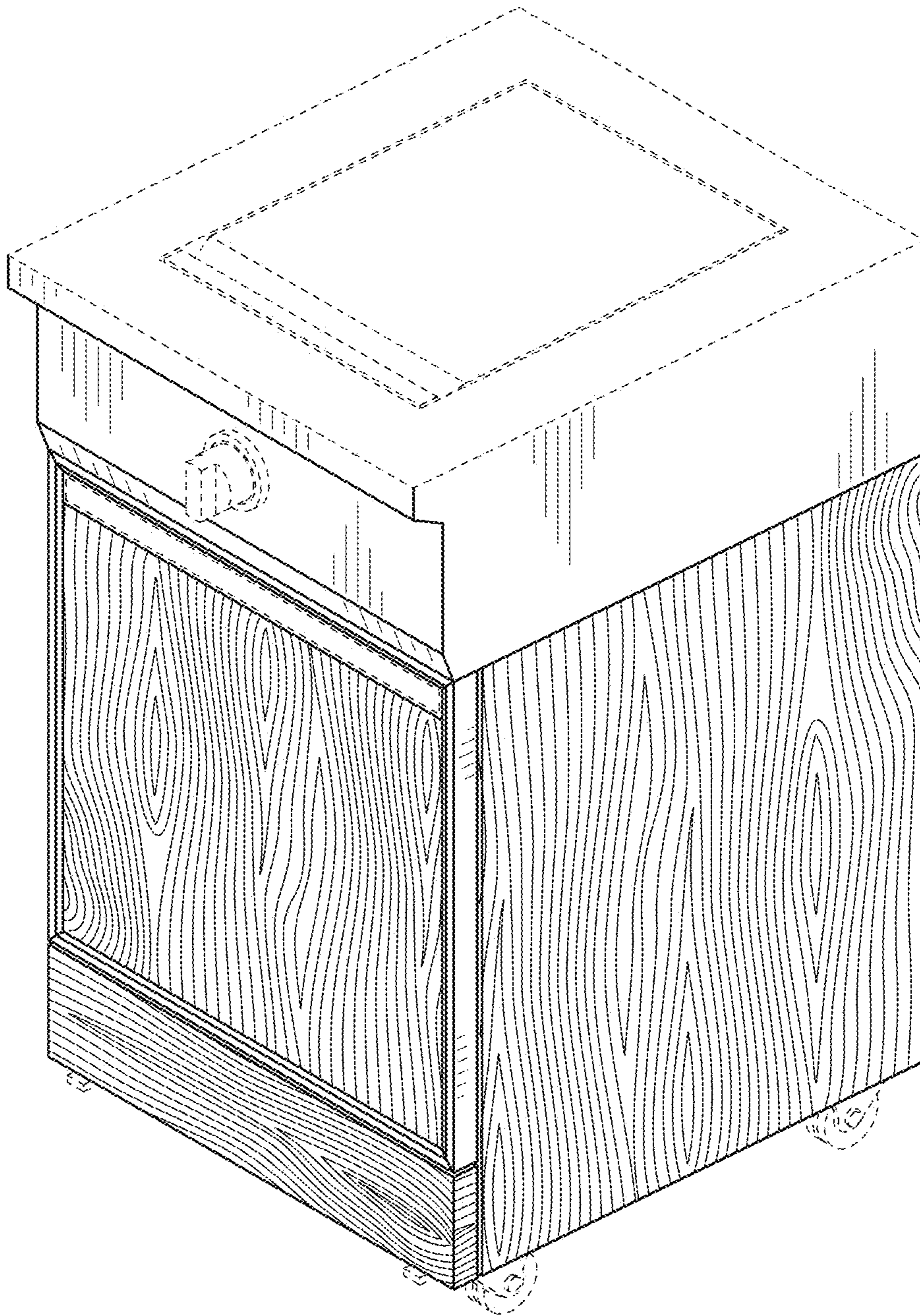


FIG. 6

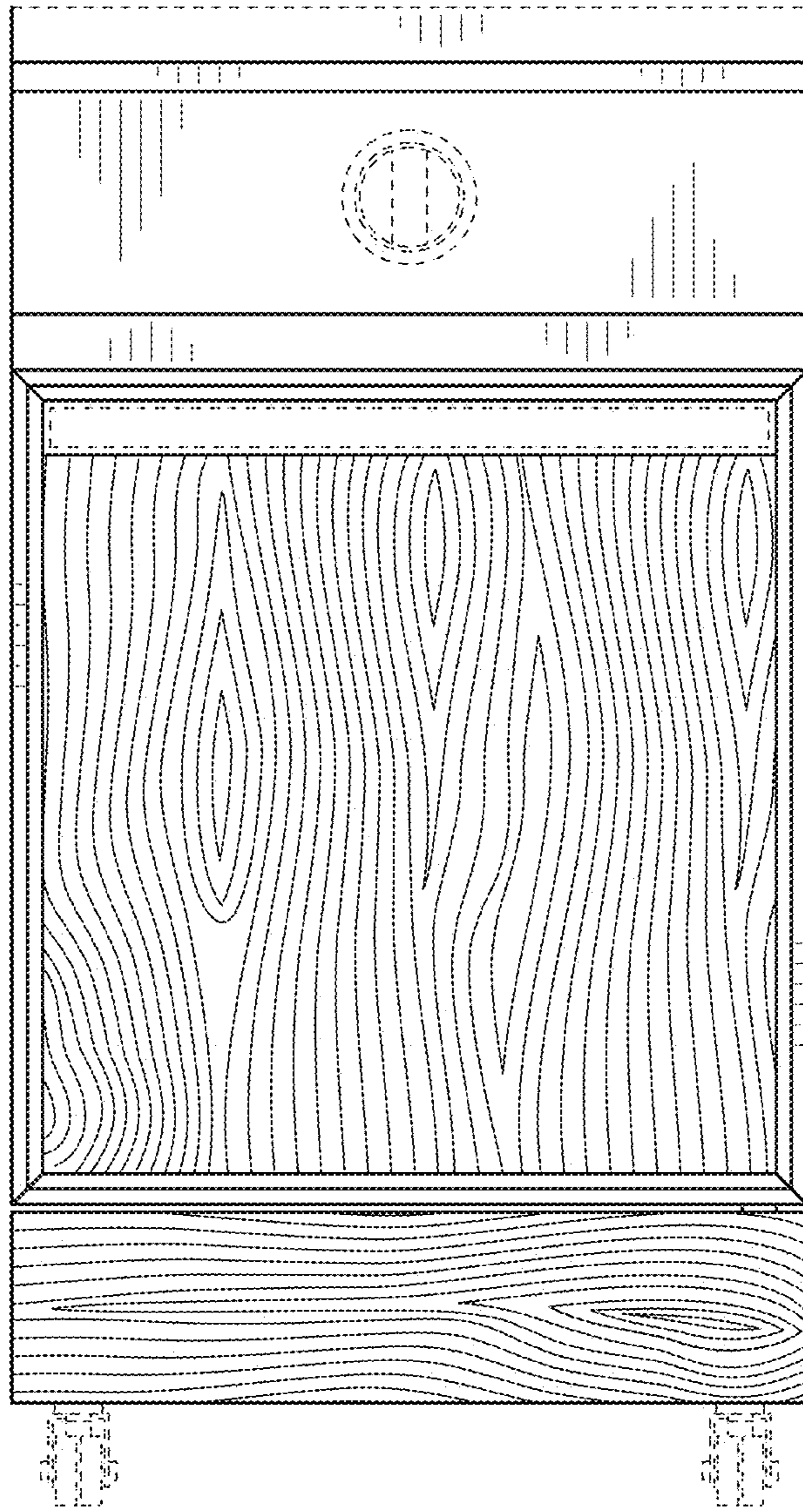


FIG. 7

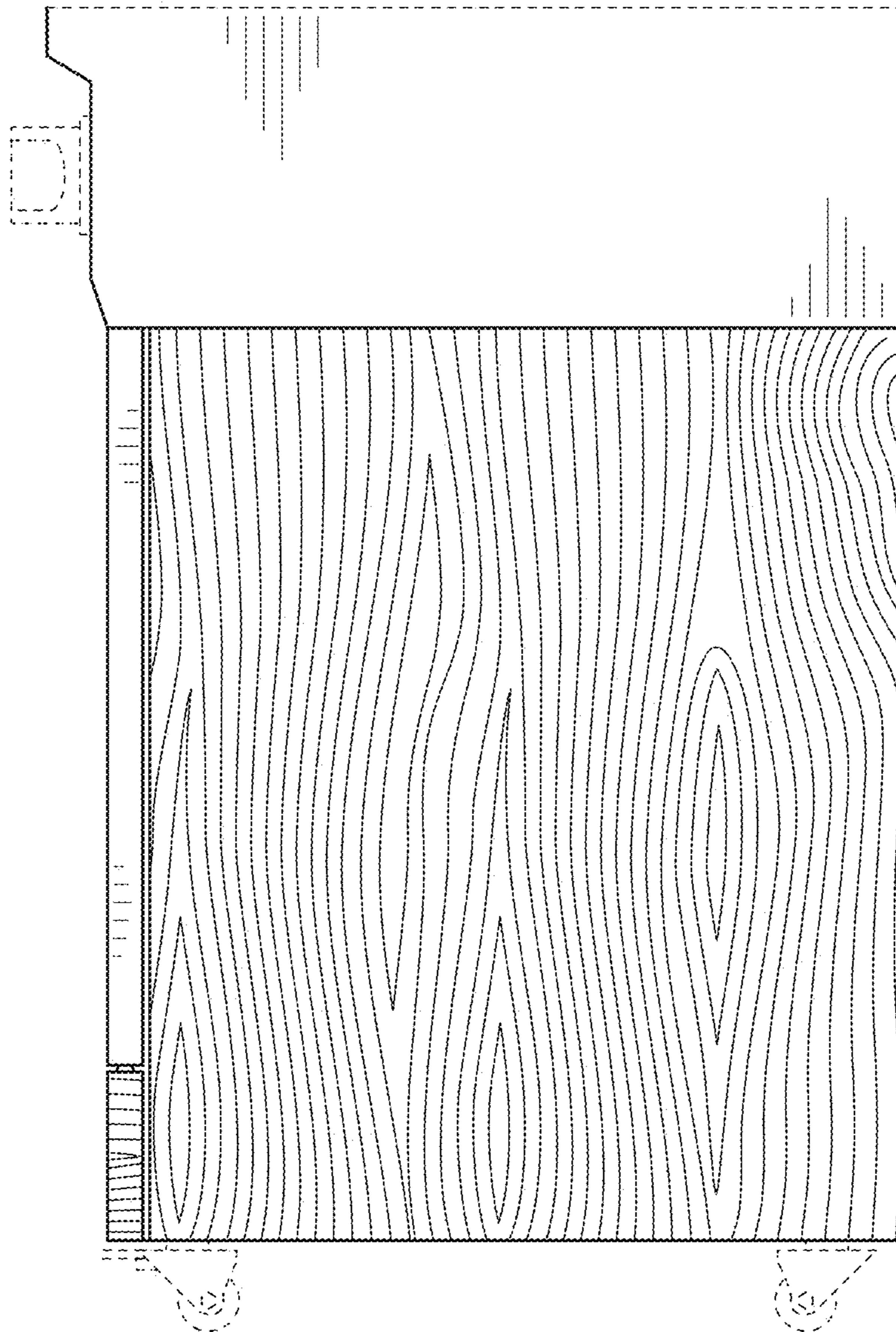


FIG. 8

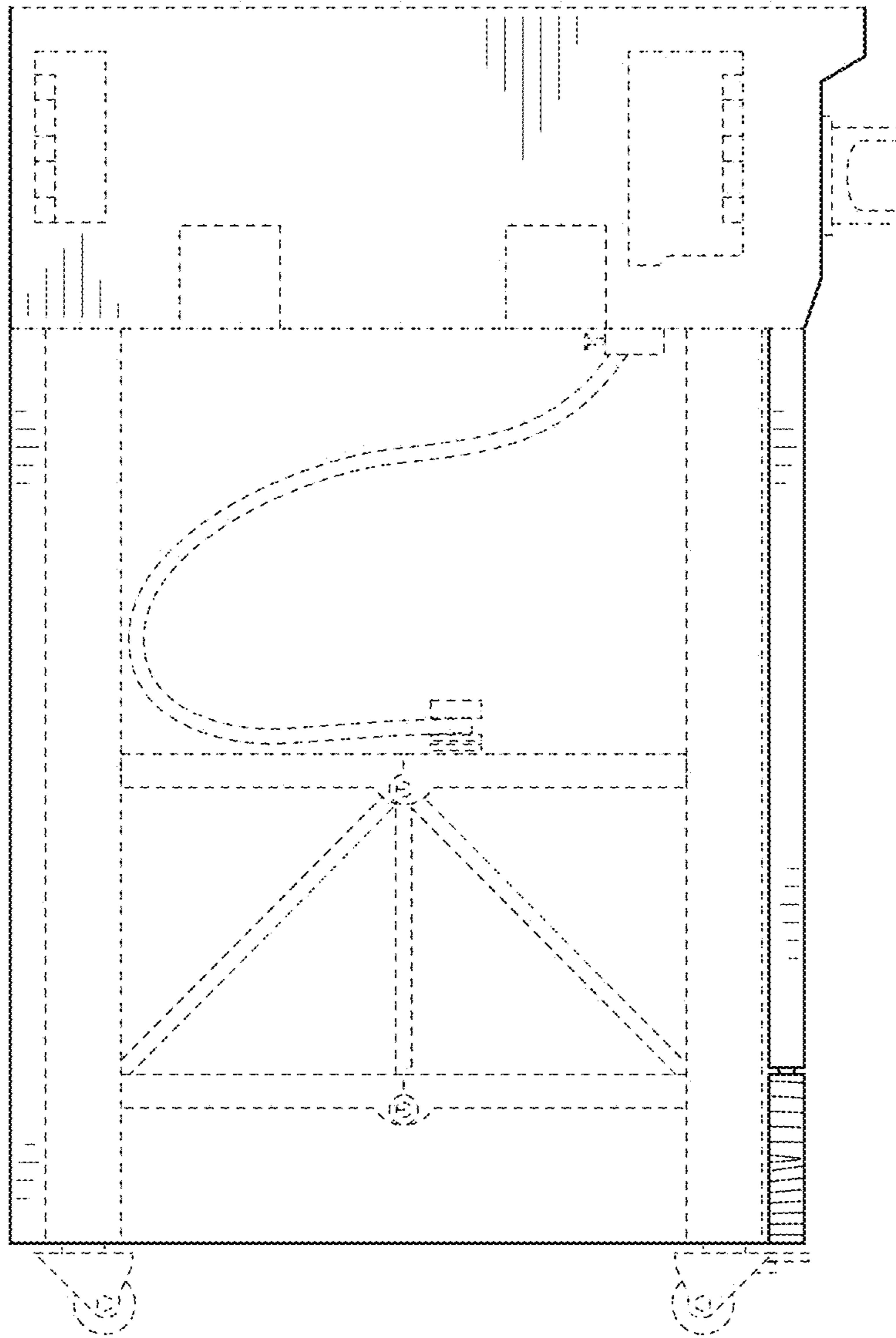


FIG. 9

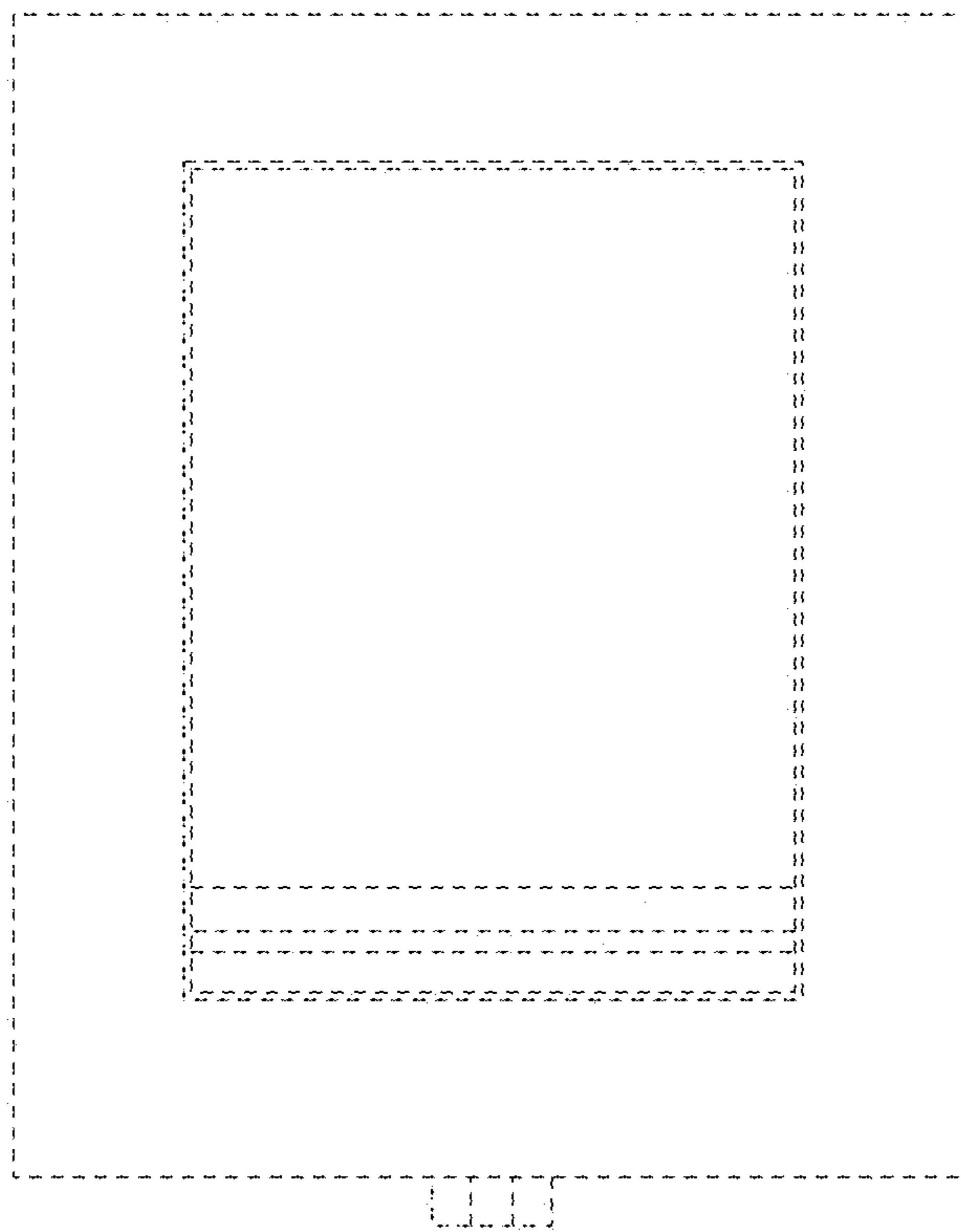


FIG. 10

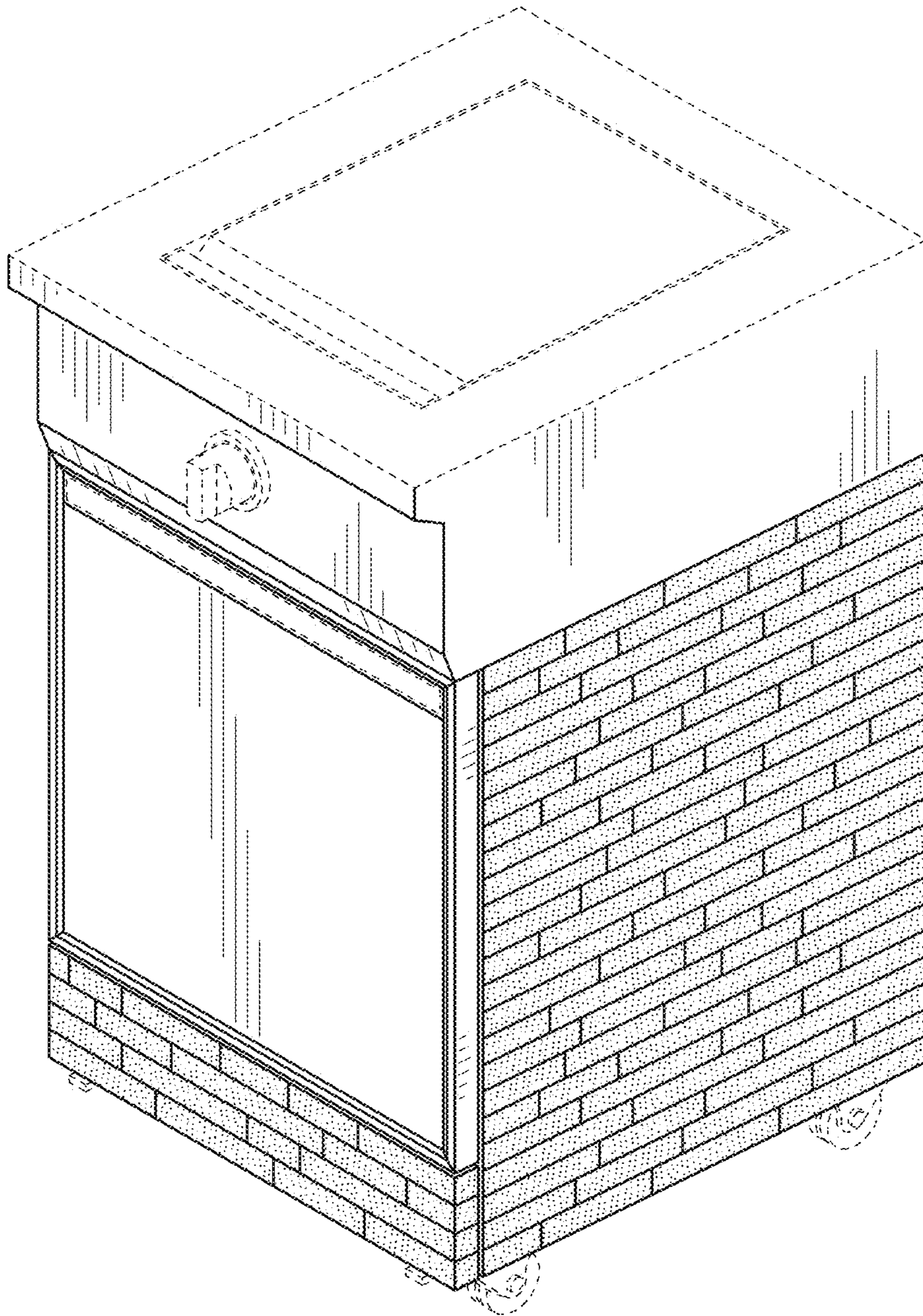


FIG. 11

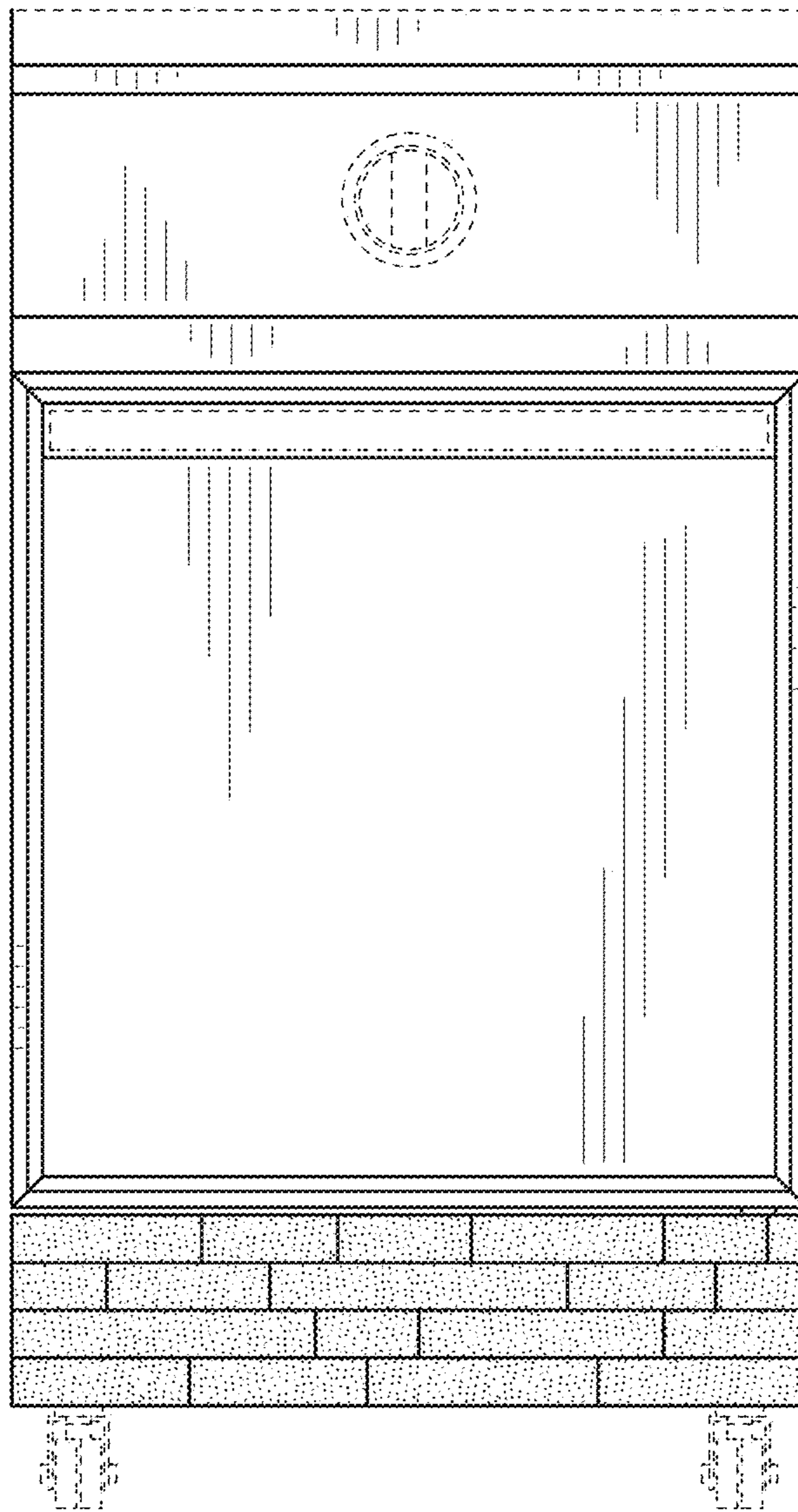


FIG. 12



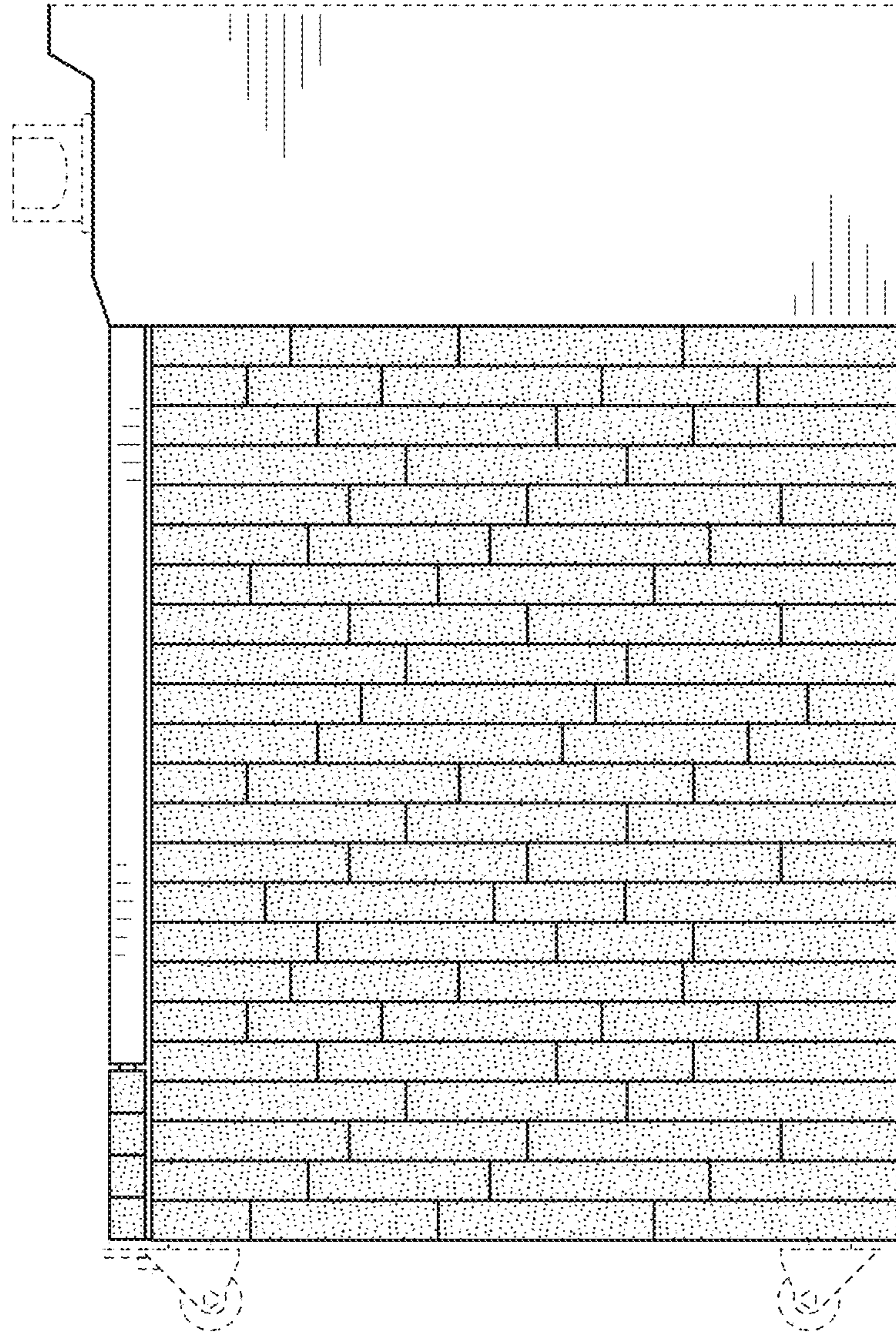


FIG. 13

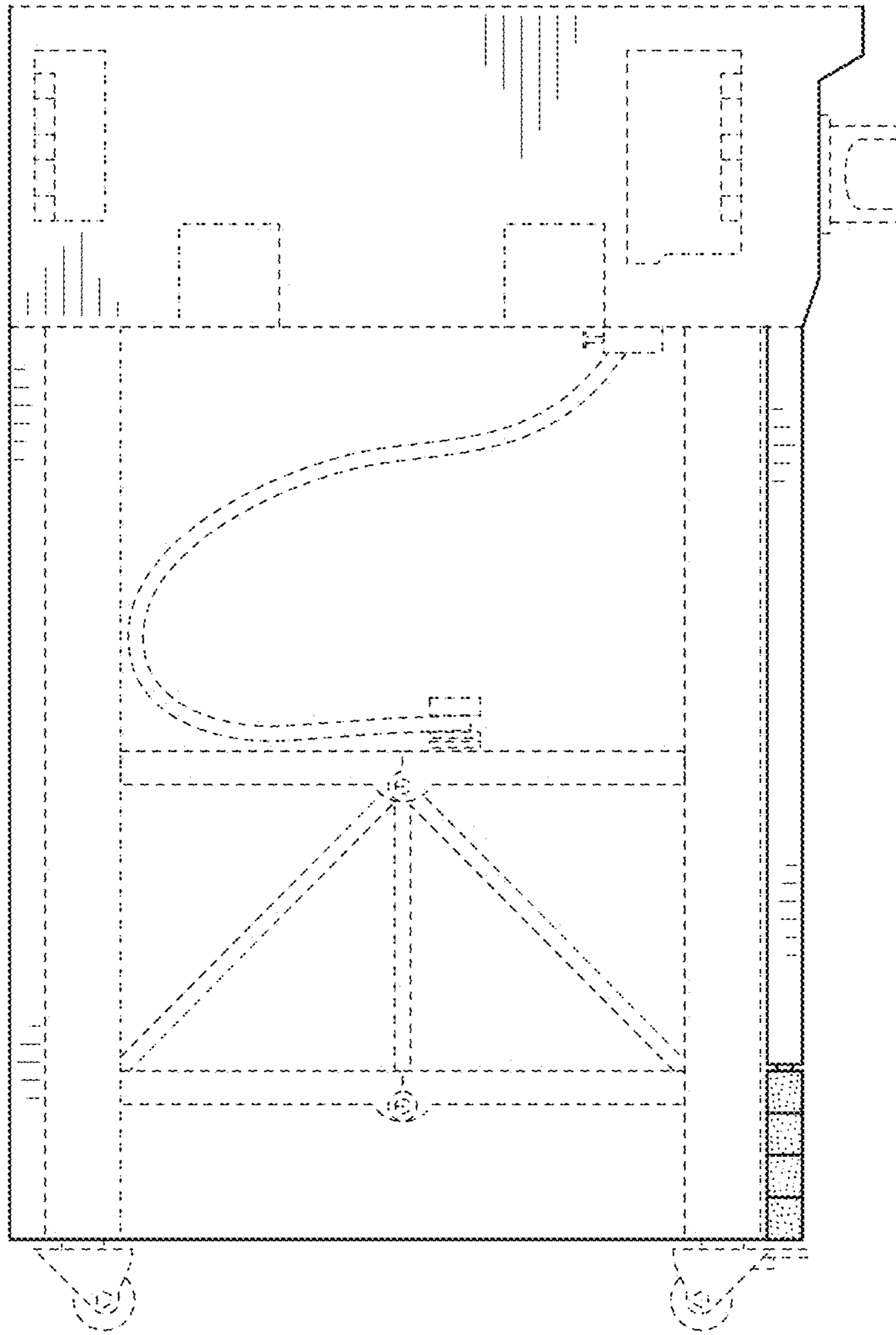


FIG. 14

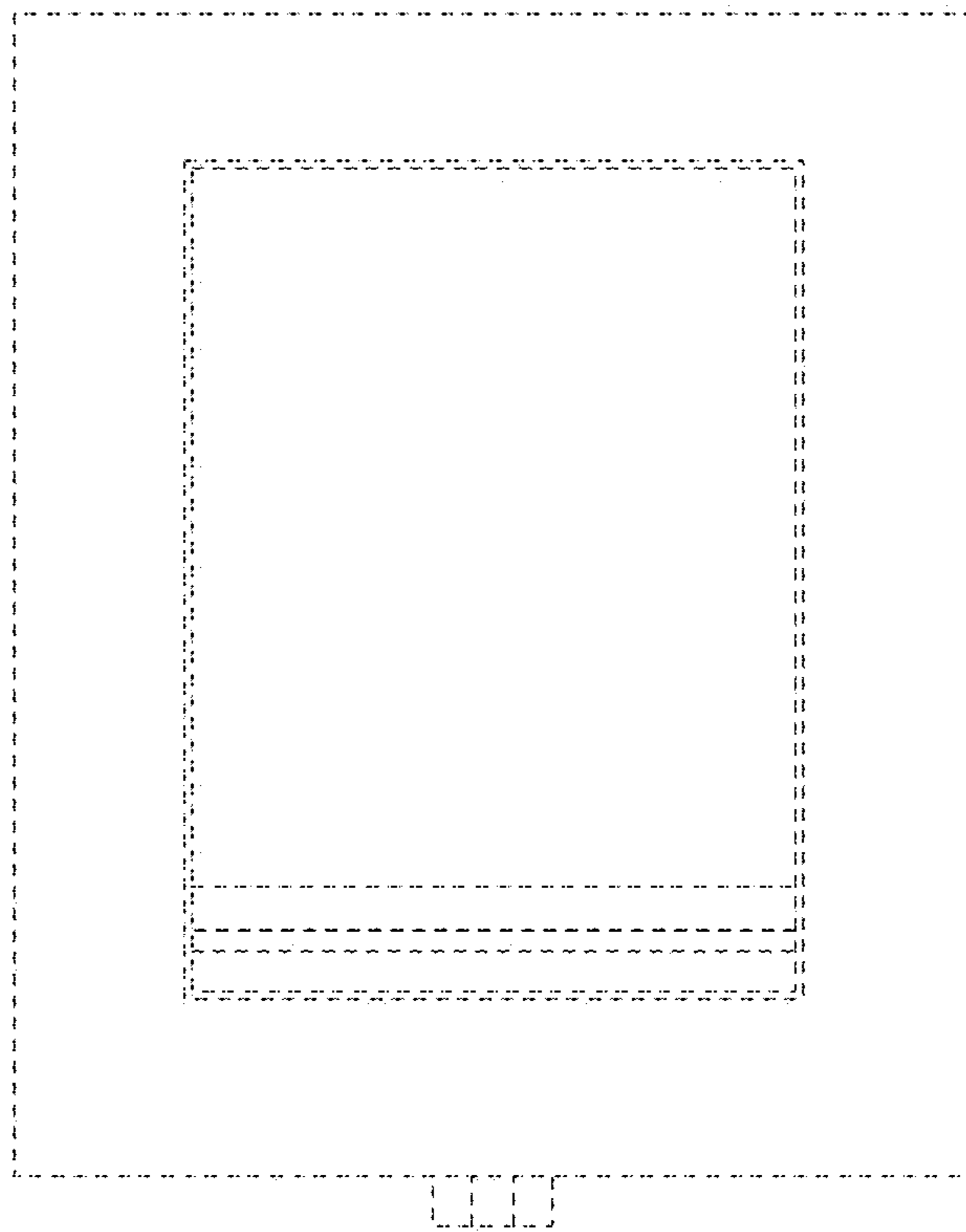


FIG. 15

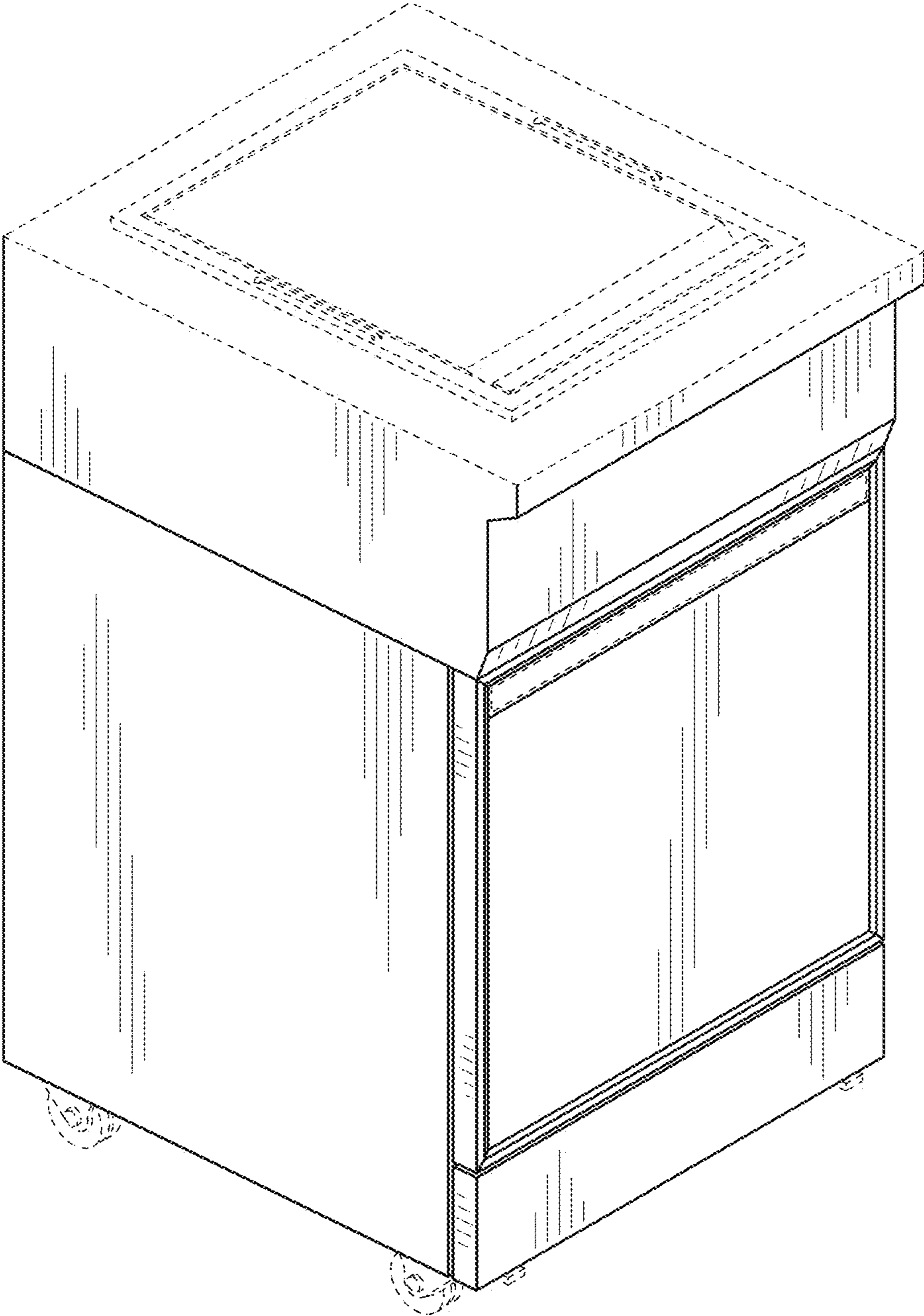


FIG. 16

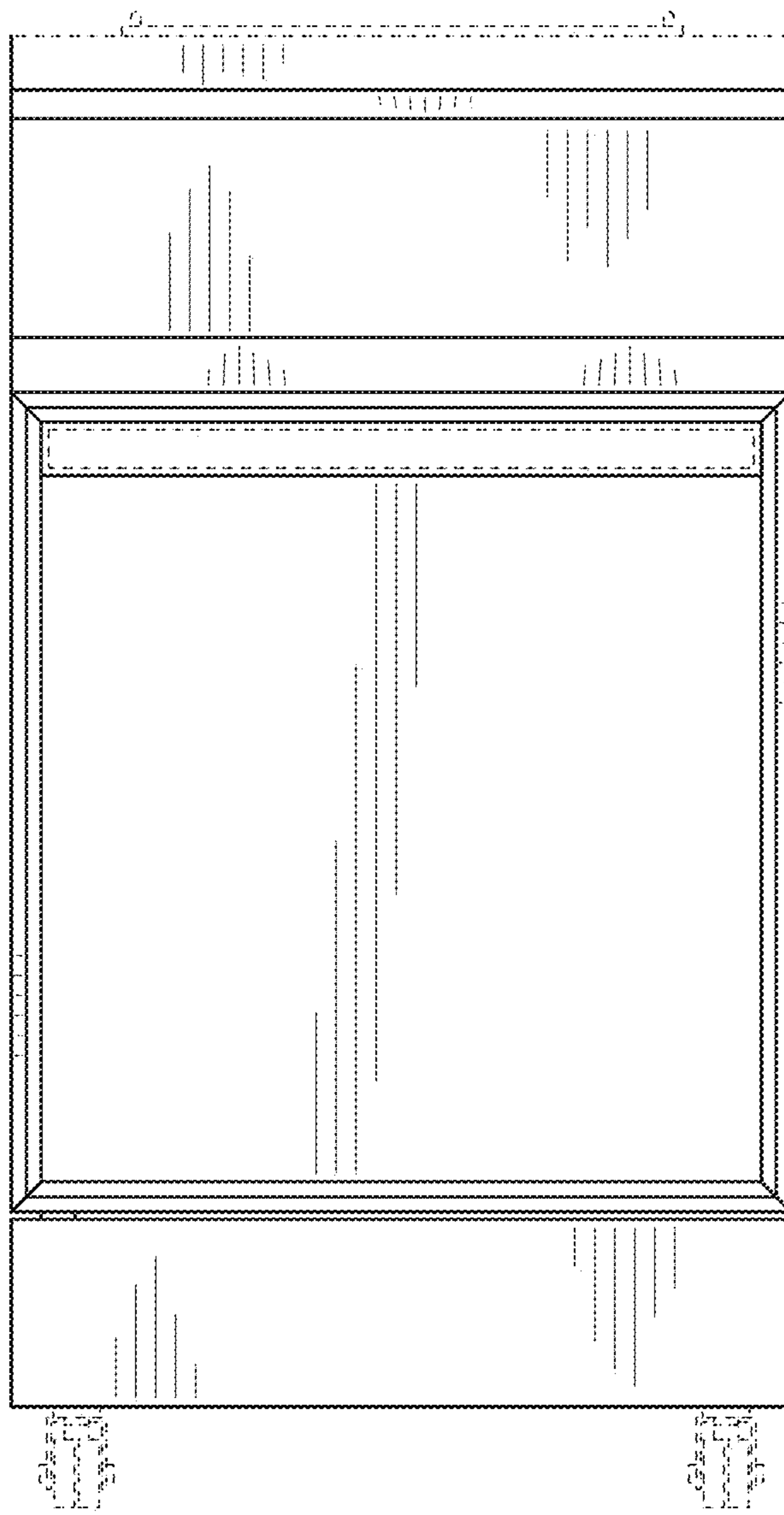


FIG. 17

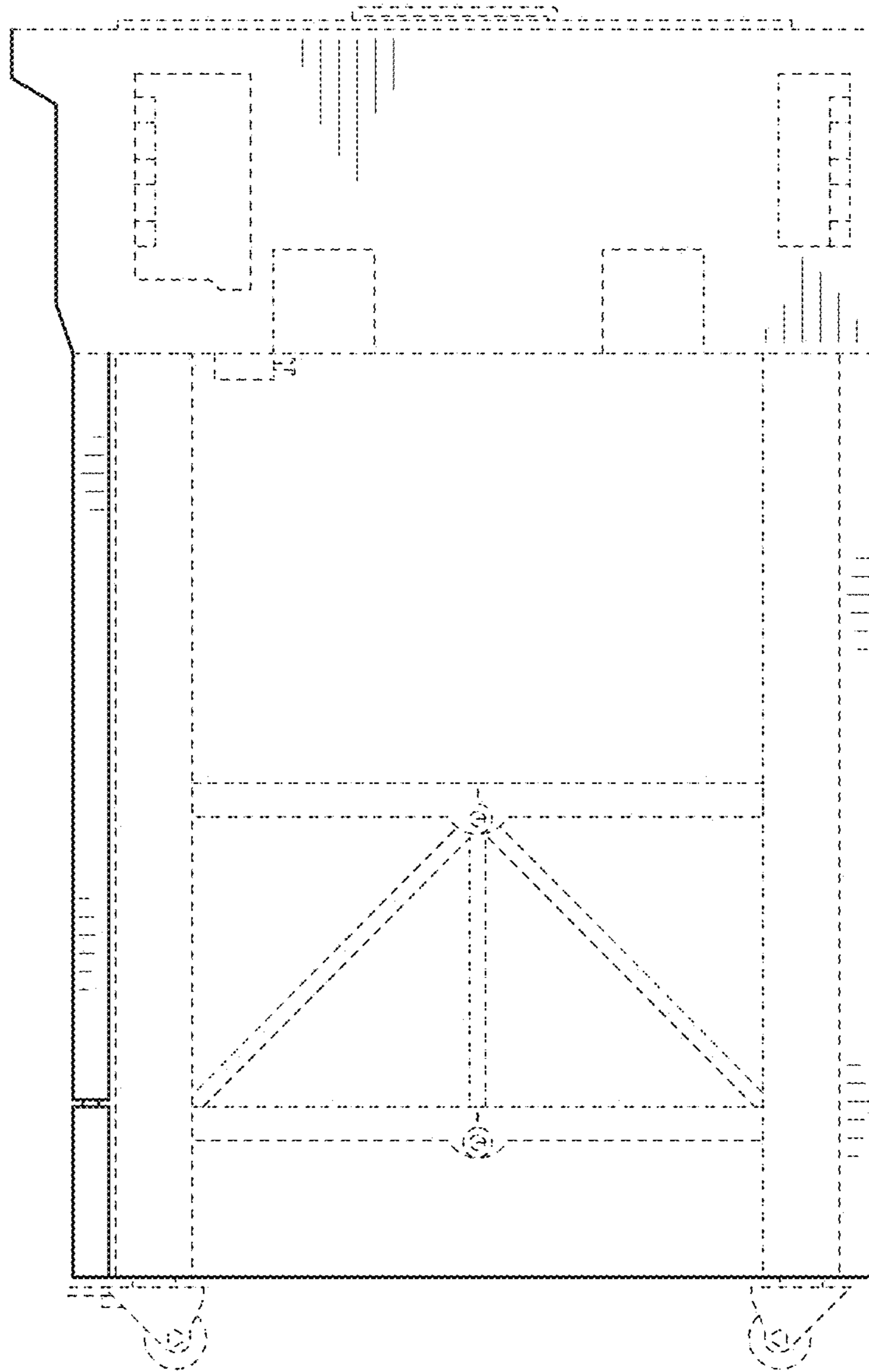


FIG. 18

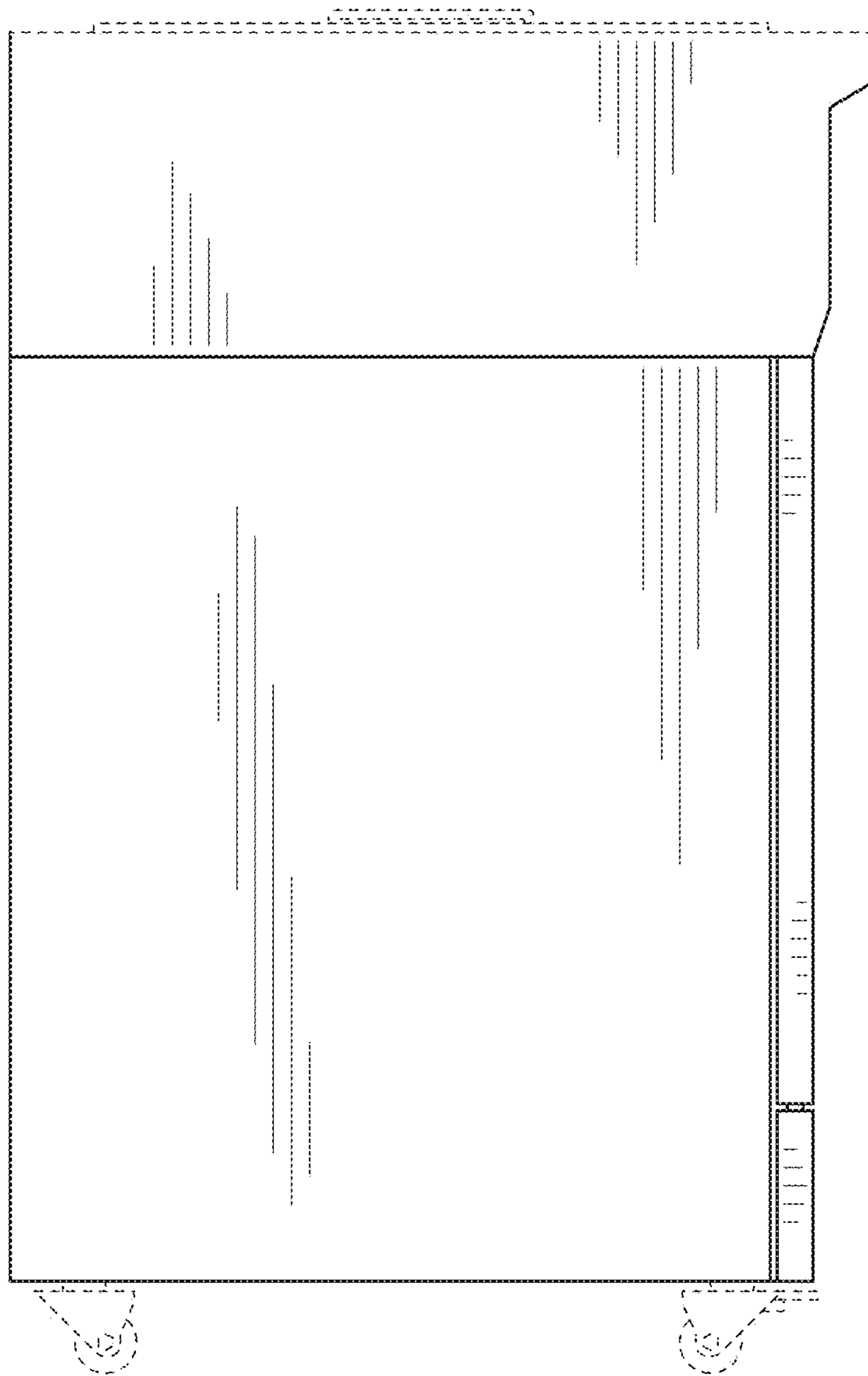


FIG. 19

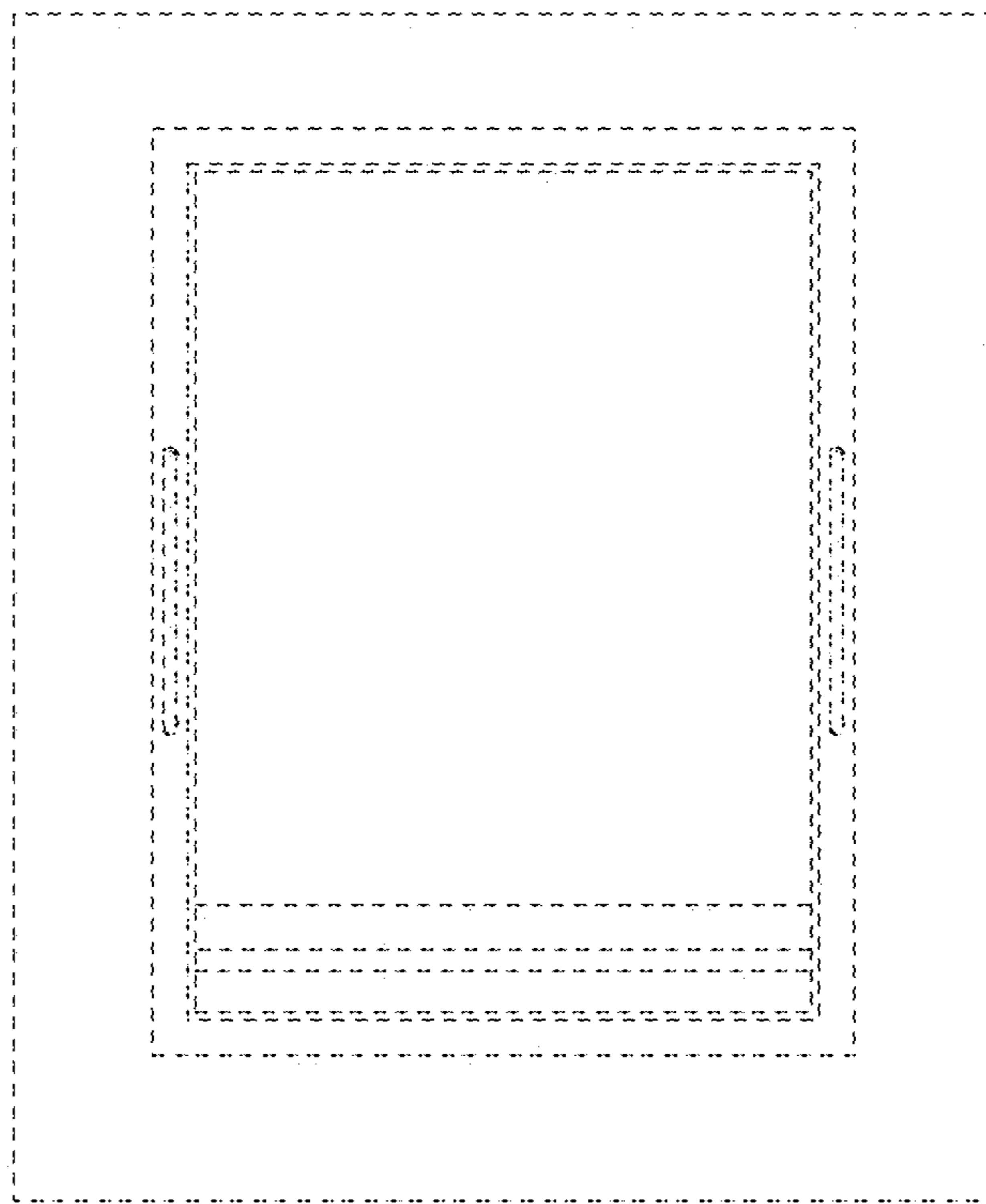


FIG. 20



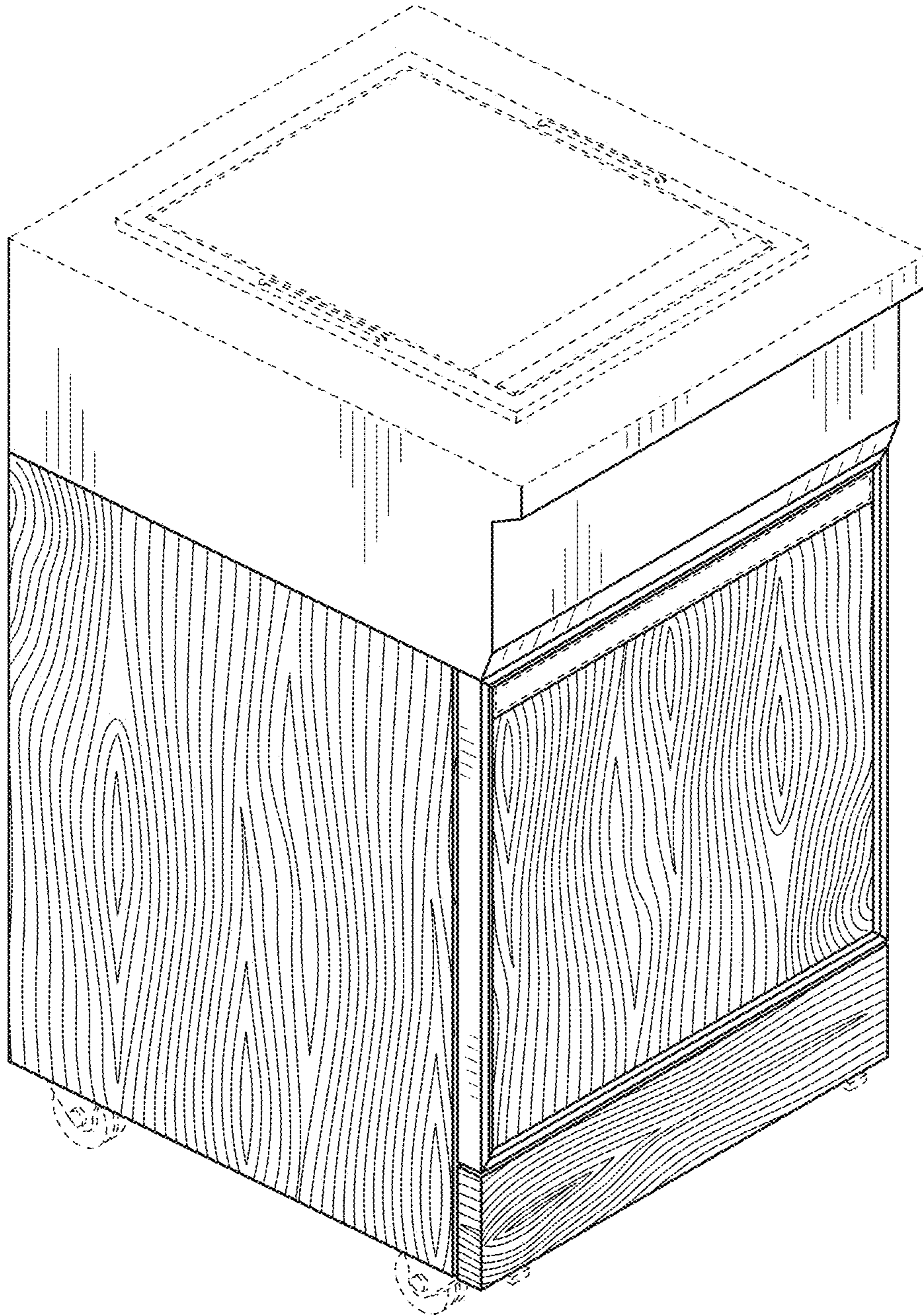


FIG. 21

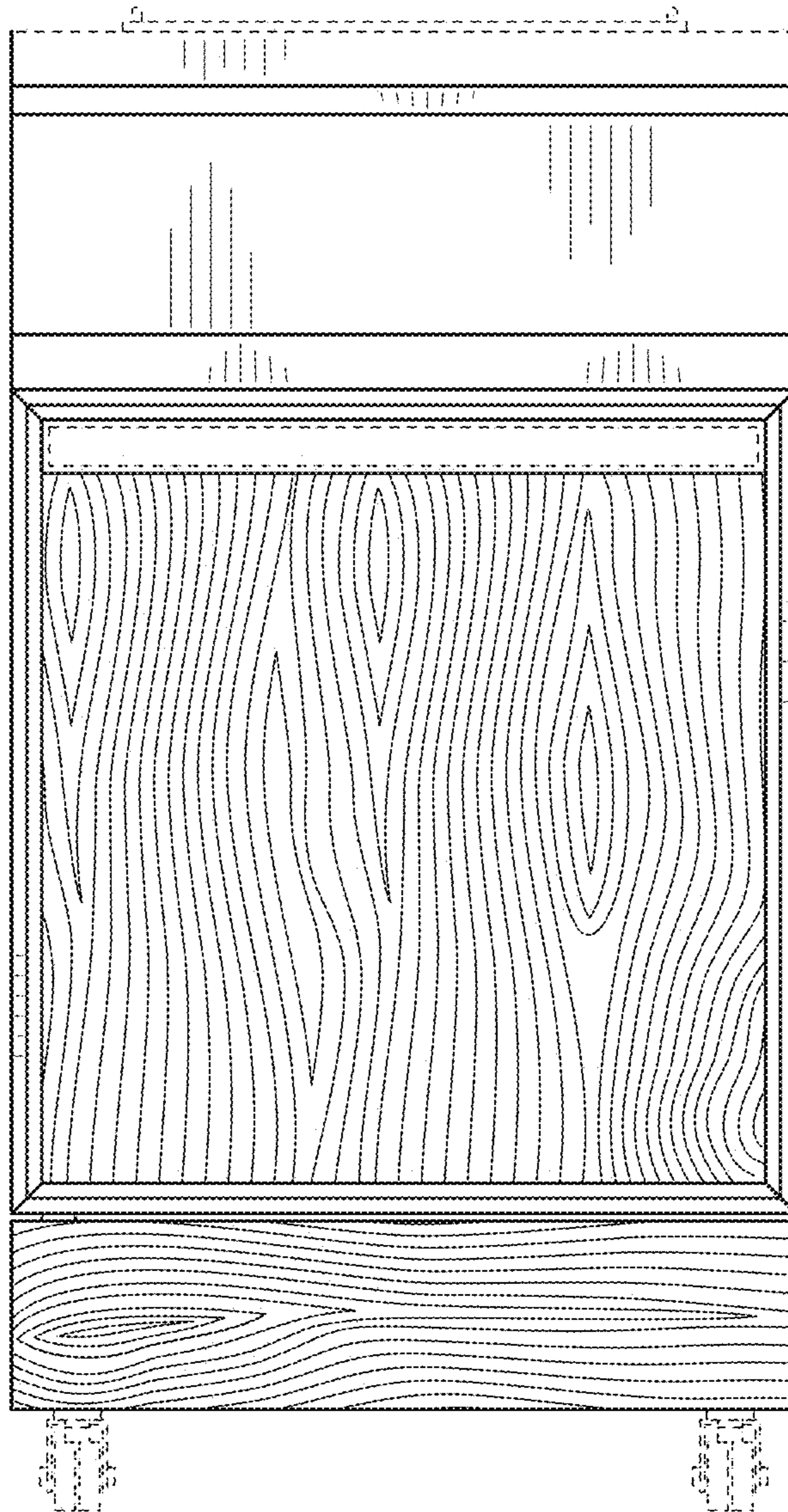


FIG. 22

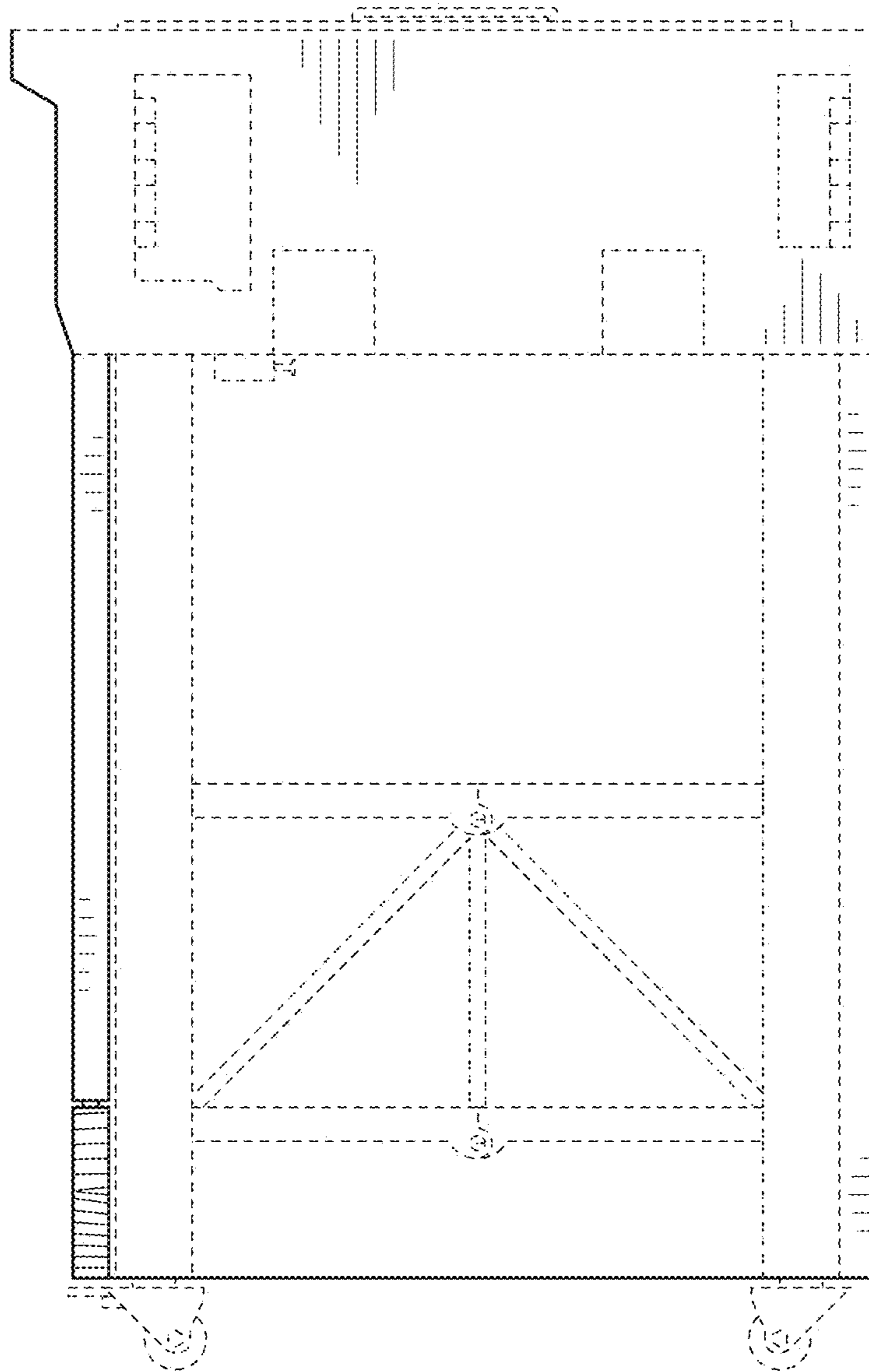


FIG. 23

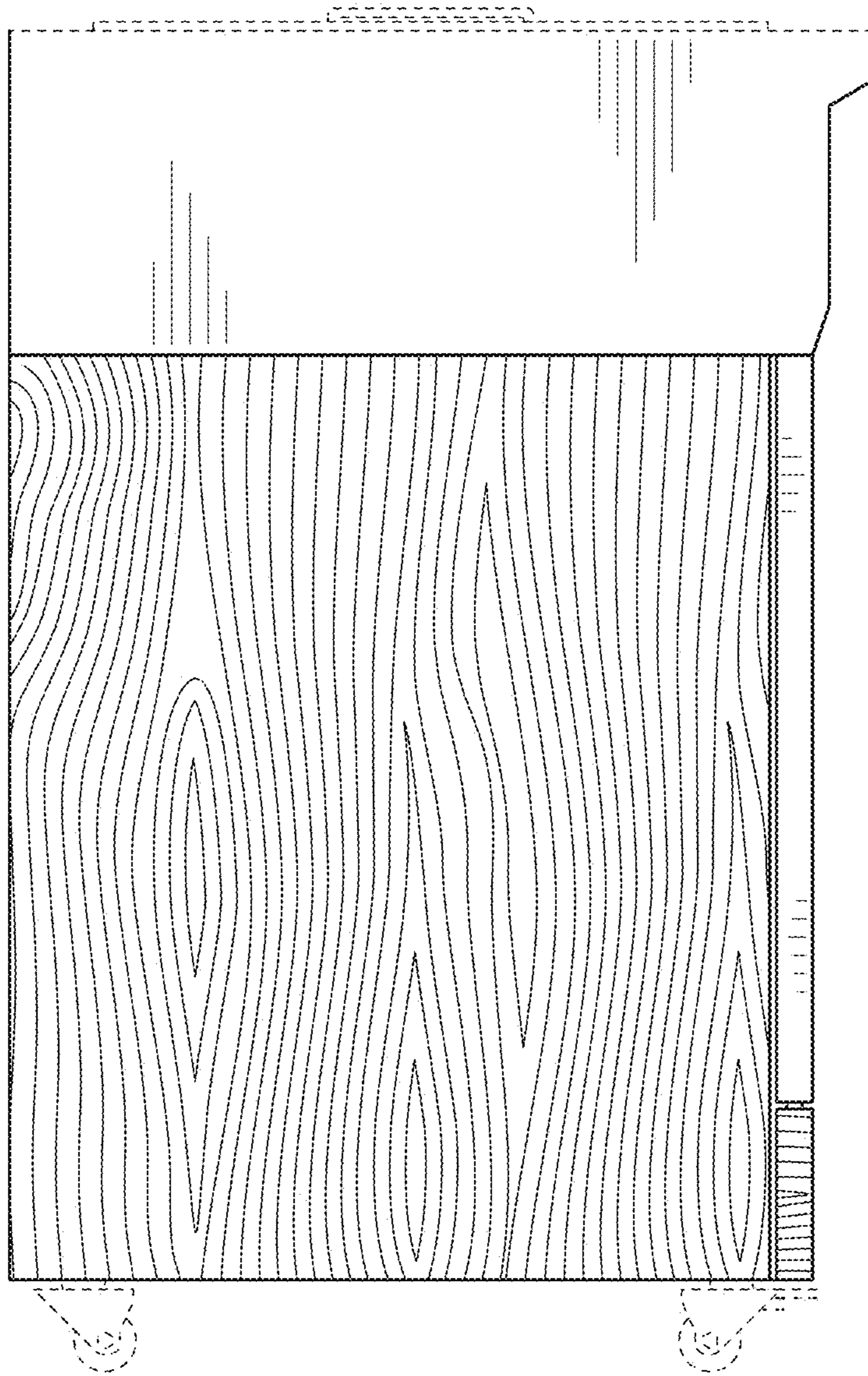


FIG. 24

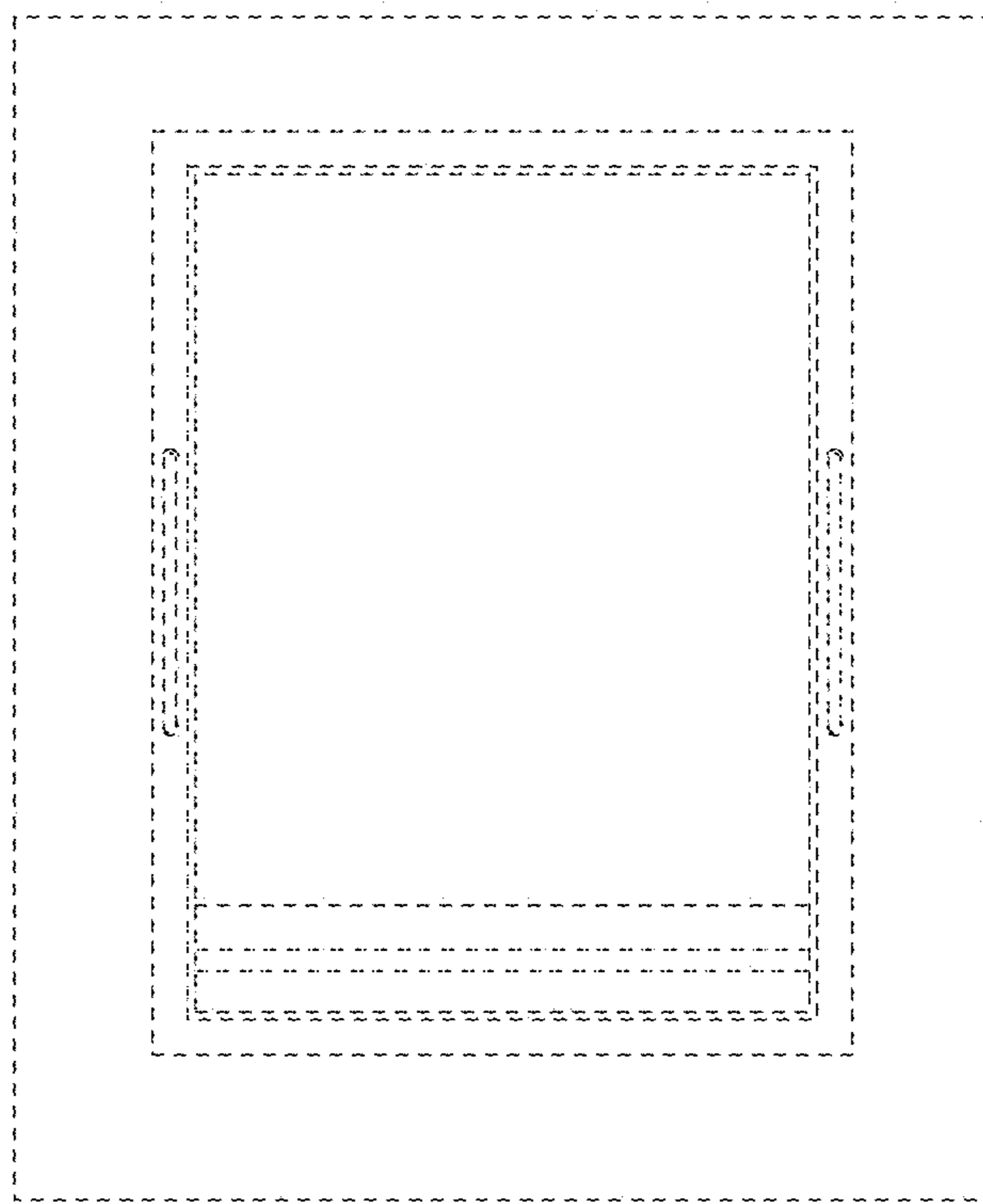


FIG. 25

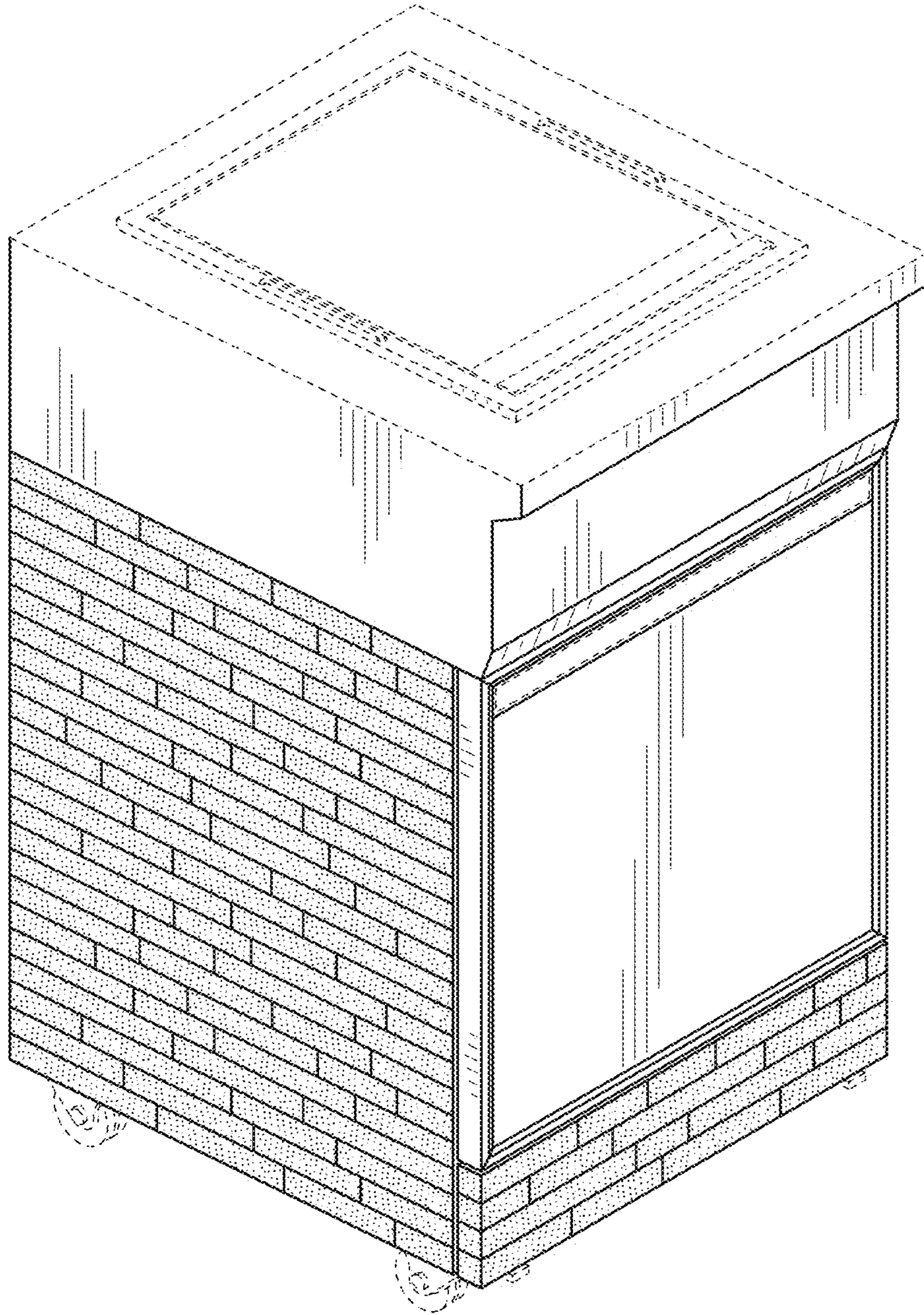


FIG. 26

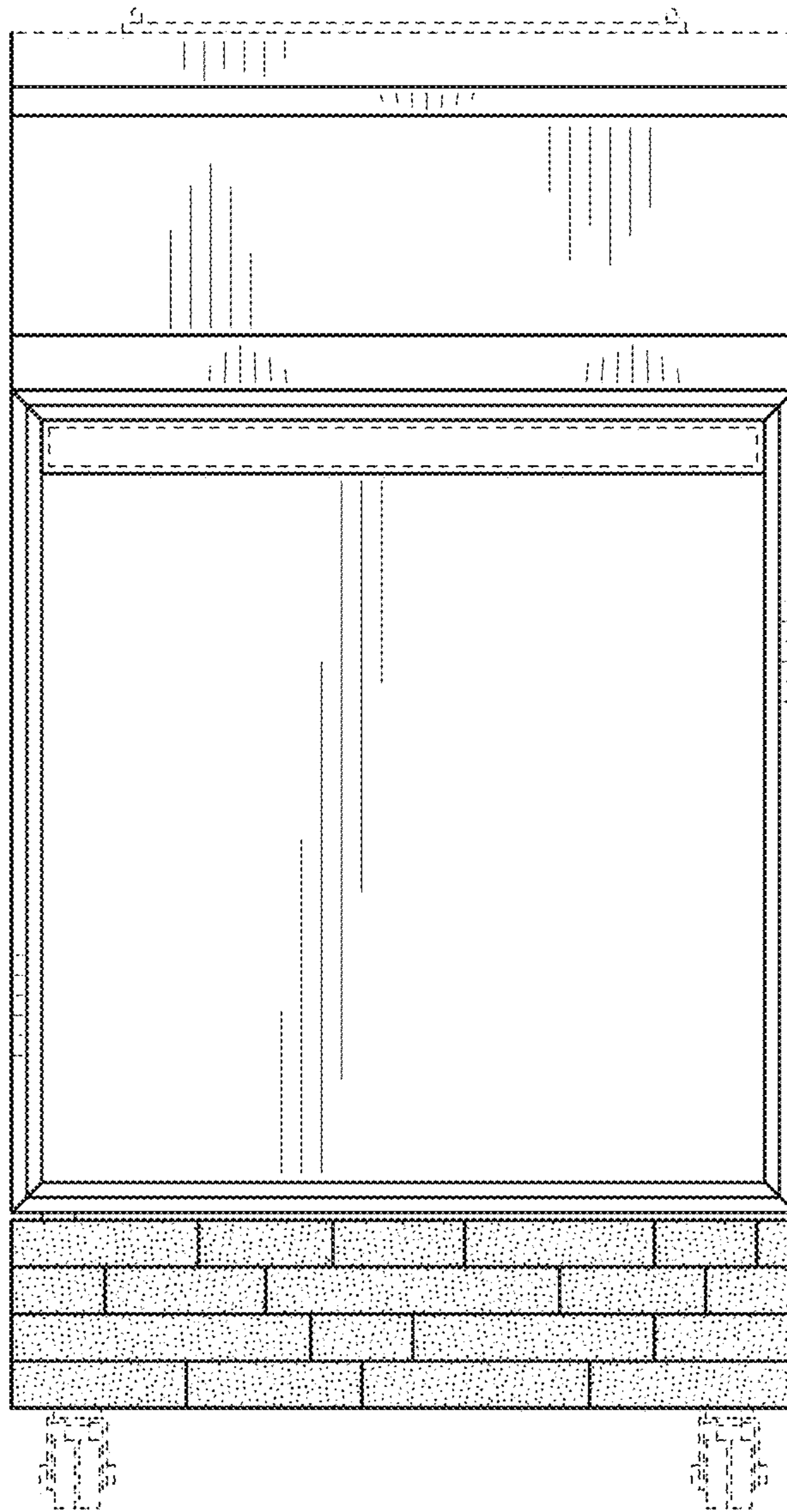


FIG. 27

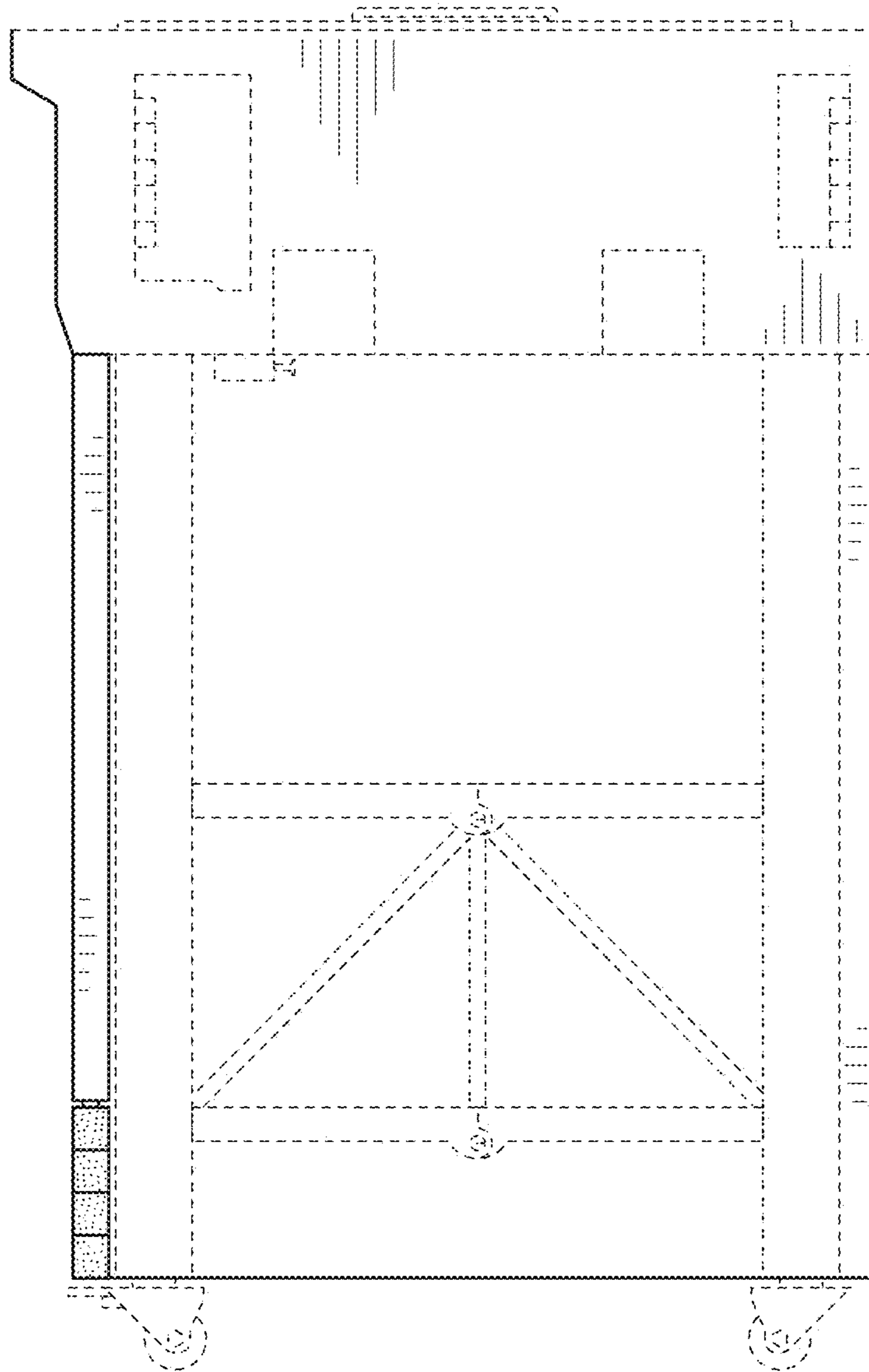


FIG. 28



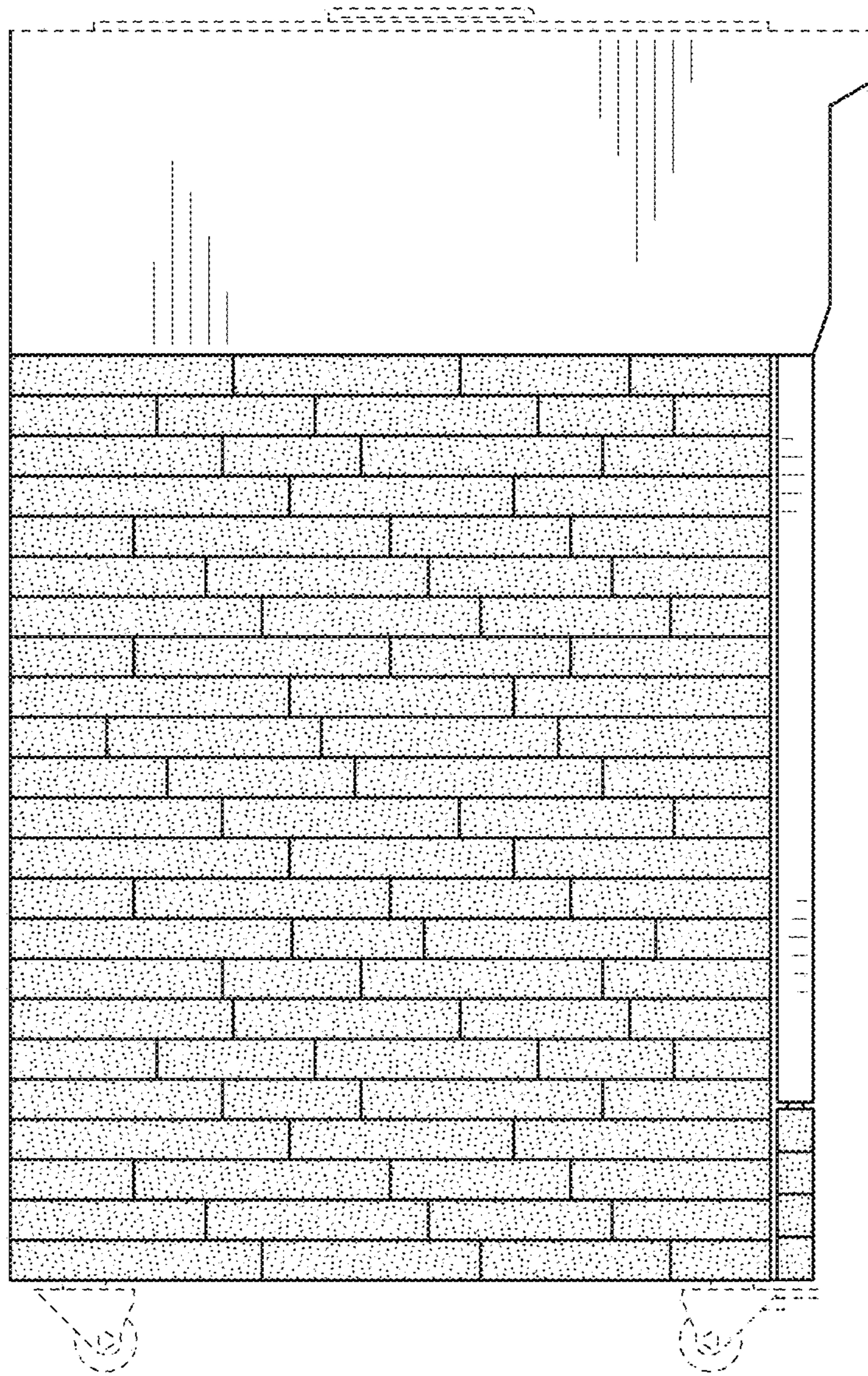


FIG. 29

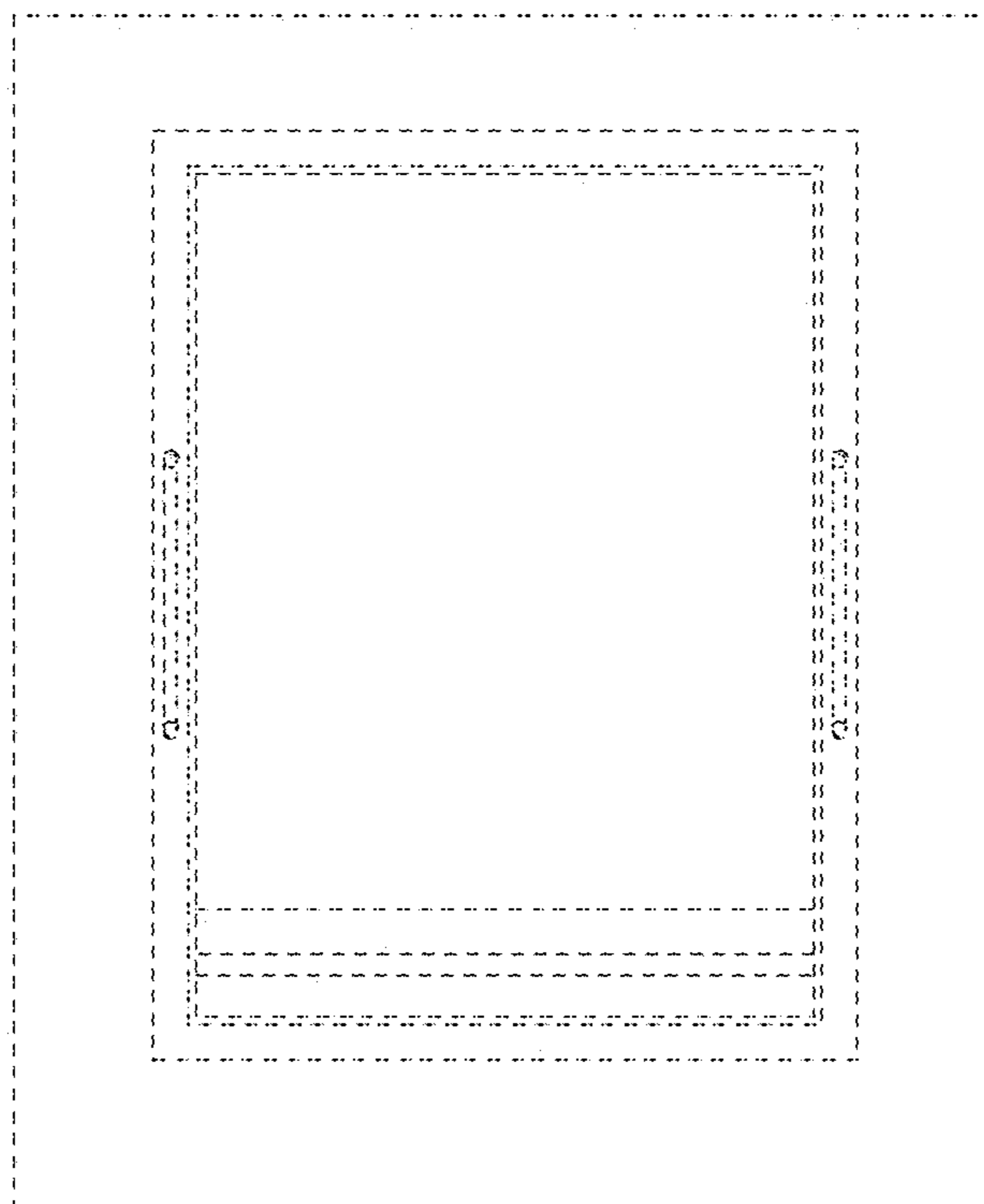


FIG. 30