



US00D926518S

(12) **United States Design Patent** (10) **Patent No.:** **US D926,518 S**  
**Hossom** (45) **Date of Patent:** **\*\* Aug. 3, 2021**

(54) **KNIFE HANDLE**

(71) Applicant: **Alexander Tybee Hossom**, Peachtree Corners, GA (US)

(72) Inventor: **Alexander Tybee Hossom**, Peachtree Corners, GA (US)

(\*\*) Term: **15 Years**

(21) Appl. No.: **29/730,273**

(22) Filed: **Apr. 2, 2020**

(51) **LOC (13) Cl.** ..... **07-03**

(52) **U.S. Cl.**  
USPC ..... **D7/401.2; D7/649**

(58) **Field of Classification Search**  
USPC ..... D7/393-395, 401.2, 642-652, 693,  
D7/695-696; D8/93, 97-100, 107, 300,  
D8/321; D22/117-118

CPC ..... A01B 1/20; A01B 1/22; A22C 25/006;  
A47G 21/06; A47G 21/065; A61B  
17/3211; A61B 17/3213; B21D 53/64;  
B25G 3/36; B26B 1/00; B26B 1/08;  
B26B 1/10; B26B 3/00; B26B 3/02;  
B26B 3/03; B26B 3/04; B26B 3/06;  
B26B 5/00; B26B 5/001; B26B 5/007;  
B26B 7/00; B26B 7/005; B26B 9/00;  
B26B 9/02; B26B 11/00; B26B 11/006;  
B26B 17/00; B26B 17/006; B26B 27/00;  
B26B 29/02; B25B 9/02

See application file for complete search history.

(56) **References Cited**

**U.S. PATENT DOCUMENTS**

D274,399 S \* 6/1984 Olsen, Jr. .... D7/649  
D455,937 S \* 4/2002 Huebner ..... D7/649

D538,590 S \* 3/2007 Stahl ..... D7/395  
D564,305 S \* 3/2008 Chisholm ..... D7/649  
D649,840 S \* 12/2011 Lo ..... D7/649  
D649,841 S \* 12/2011 Lo ..... D7/649  
D796,914 S \* 9/2017 Liu ..... D7/649  
D807,696 S \* 1/2018 Liu ..... D7/401.2  
D850,219 S \* 6/2019 Junfola ..... D7/649  
D881,644 S \* 4/2020 Liu ..... D7/401.2  
D920,056 S \* 5/2021 Chen ..... D7/649

\* cited by examiner

*Primary Examiner* — Ricky Pham

(74) *Attorney, Agent, or Firm* — Barnes & Thornburg LLP; Jason A. Bernstein

(57) **CLAIM**

The ornamental design for the knife handle, as shown and described.

**DESCRIPTION**

FIG. 1 is a perspective view of design for a knife handle according to one embodiment;

FIG. 2 is a right side view of the knife handle shown in FIG. 1;

FIG. 3 is a left side view of the knife handle shown in FIG. 1;

FIG. 4 is a top plan view of the knife handle shown in FIG. 1;

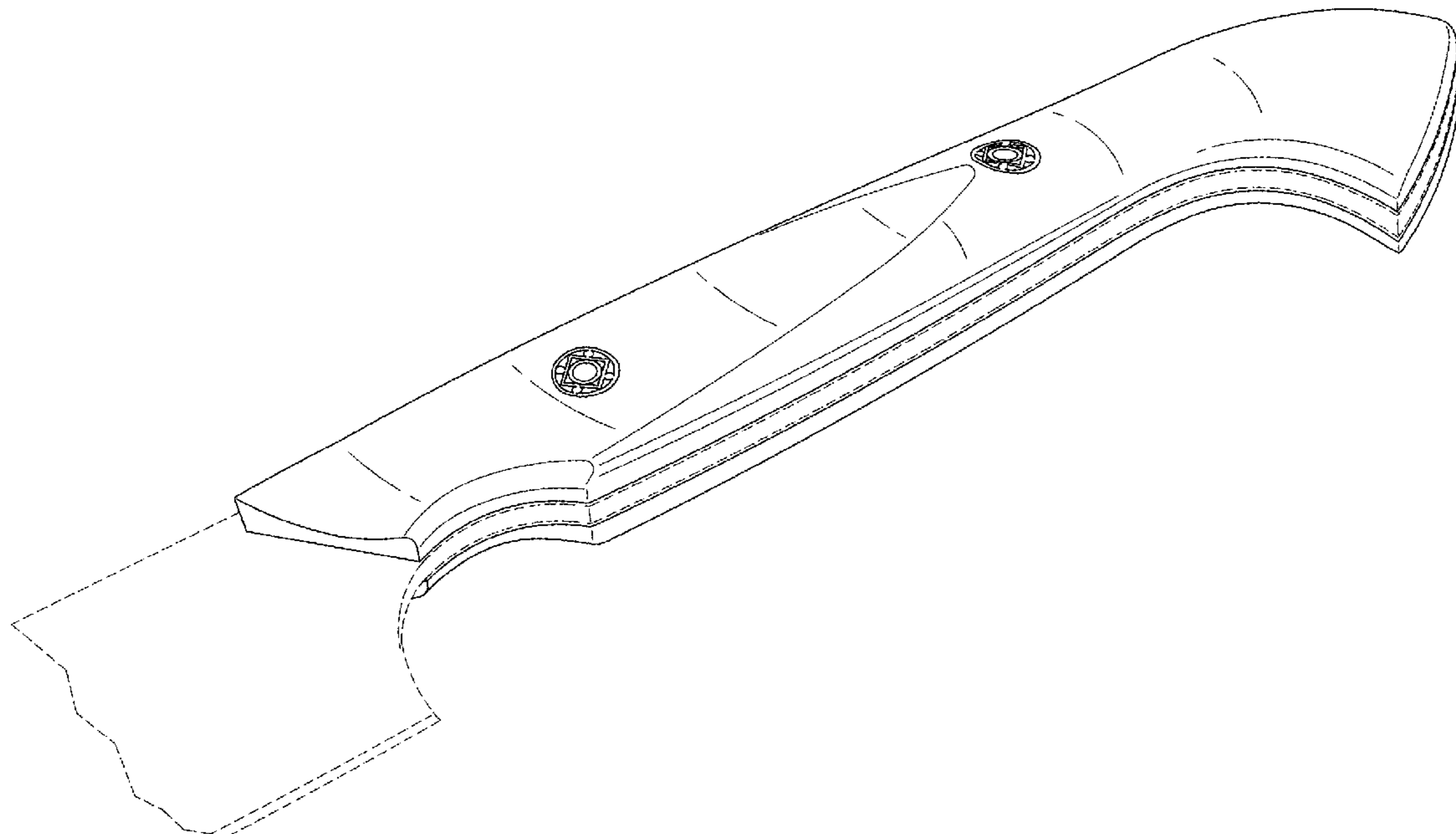
FIG. 5 is a bottom plan view of the knife handle shown in FIG. 1;

FIG. 6 is an enlarged front elevational view of the knife handle shown in FIG. 1; and,

FIG. 7 is an enlarged rear elevational view of the knife handle shown in FIG. 1.

The broken lines shown in the drawings are for illustrative purposes only and form no part of the claimed design.

**1 Claim, 4 Drawing Sheets**



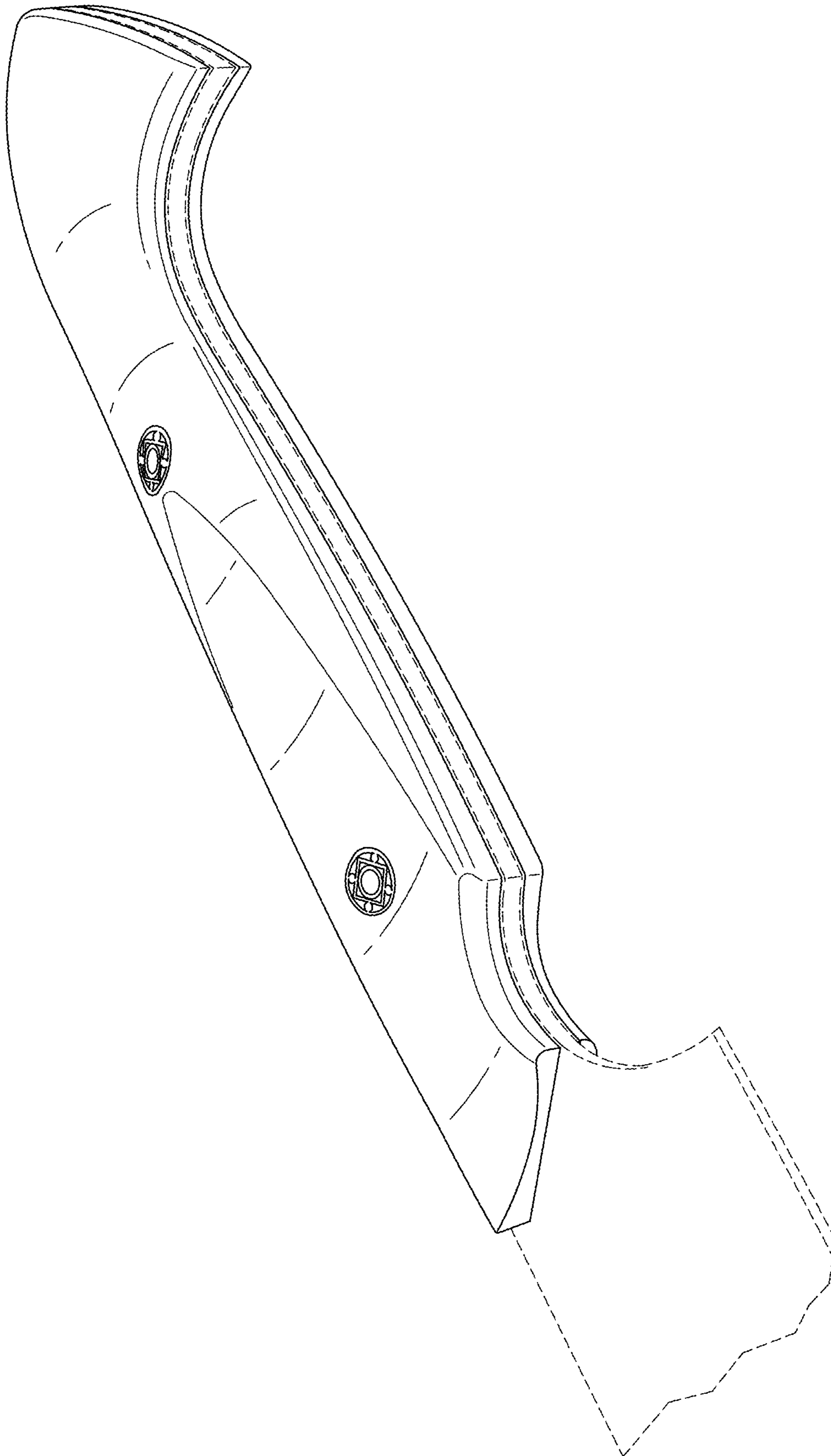


FIG. 1

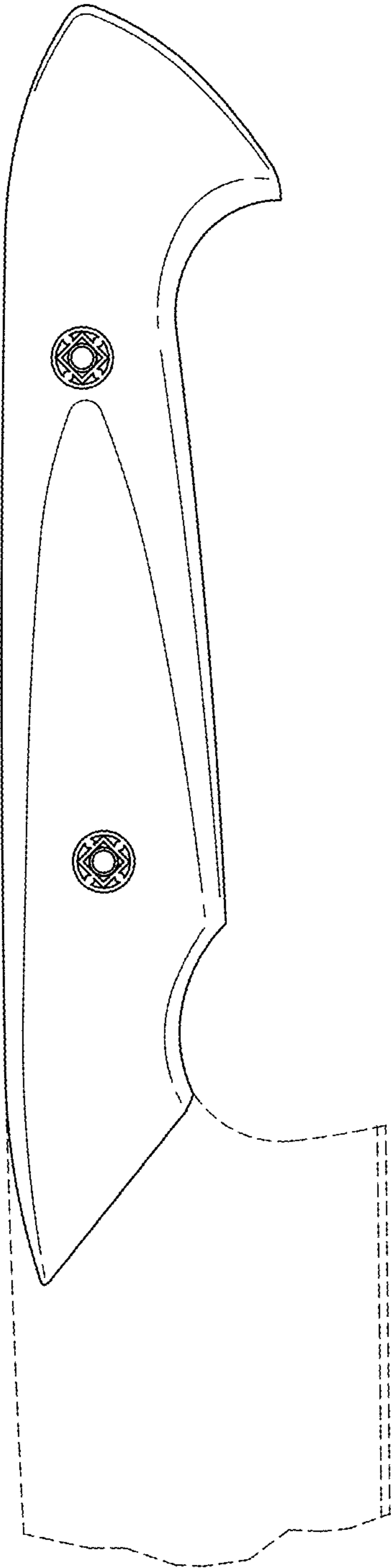


FIG. 2

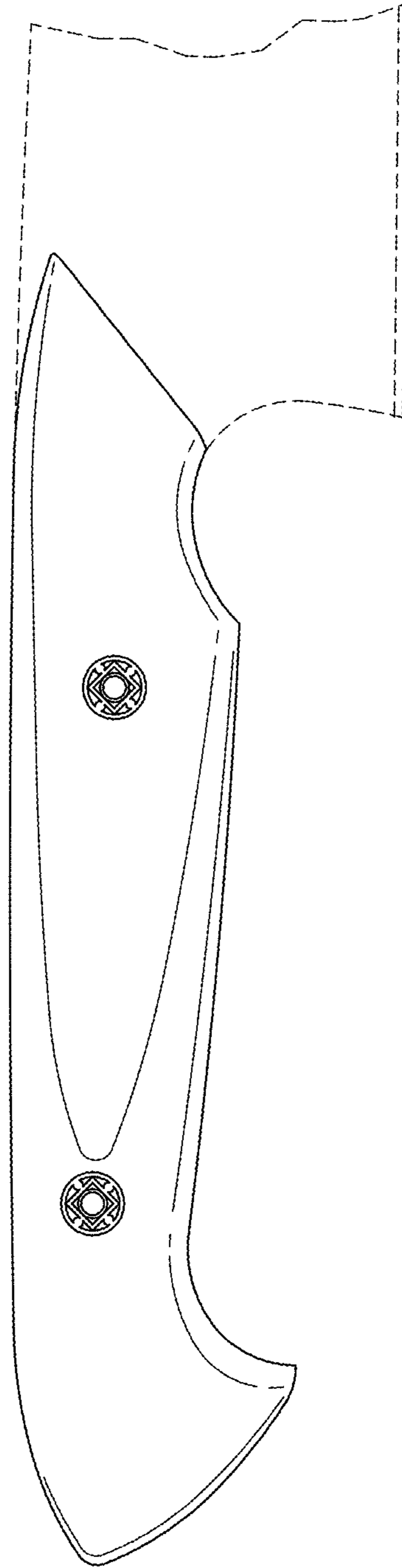


FIG. 3

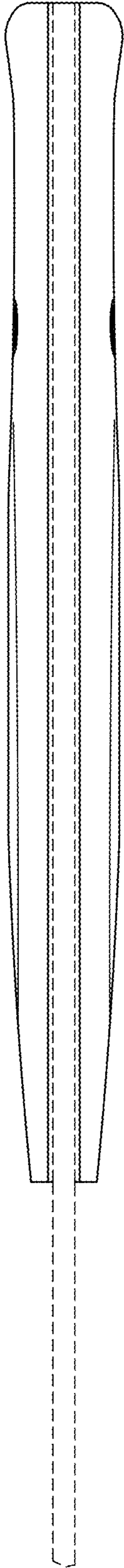


FIG. 4

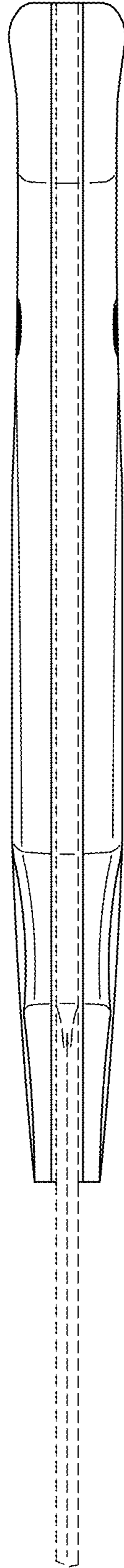


FIG. 5

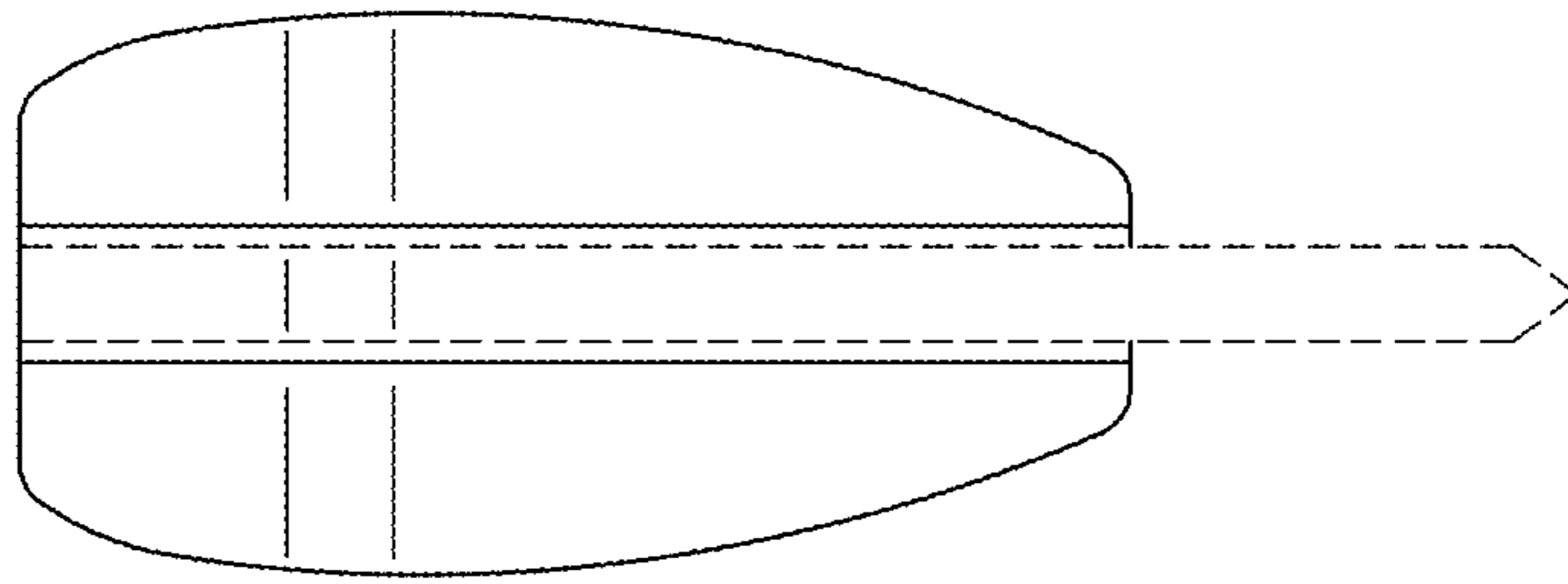


FIG. 6

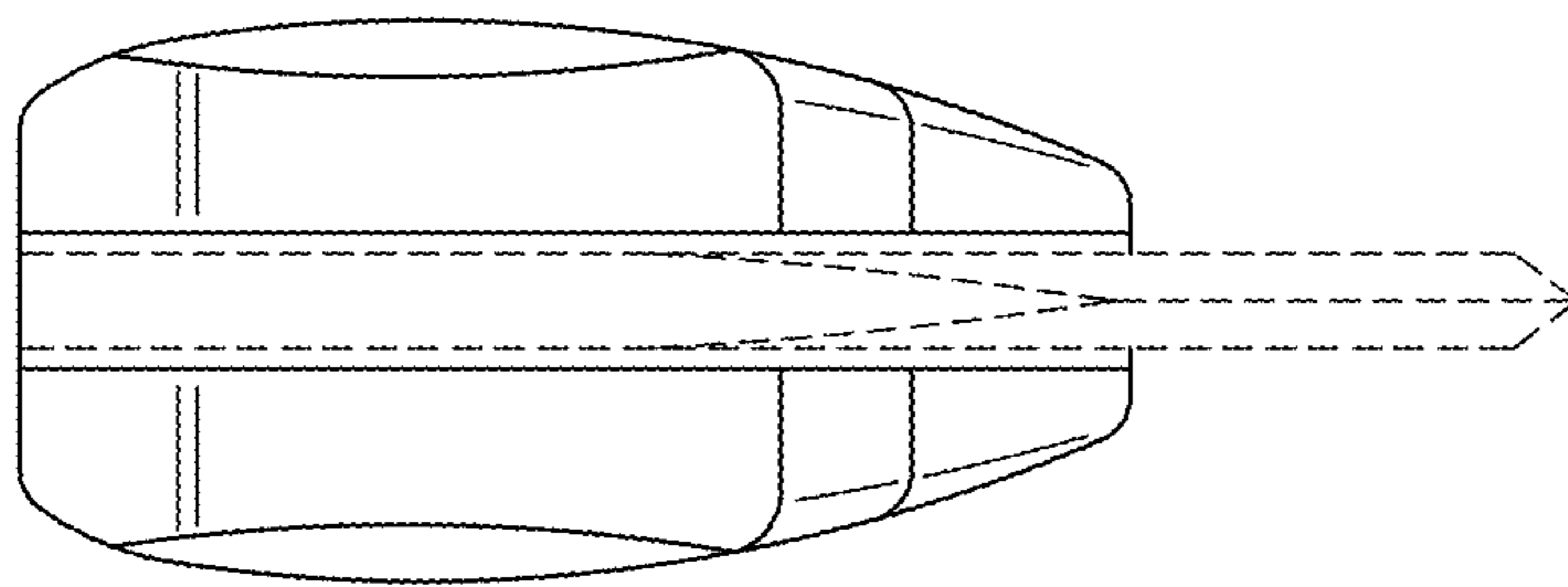


FIG. 7