



US00D926516S

(12) **United States Design Patent** (10) **Patent No.:** **US D926,516 S**
Deng (45) **Date of Patent:** **** Aug. 3, 2021**

(54) **MEAT SLICER**

(71) Applicant: **Yourong Deng**, Yangchun (CN)

(72) Inventor: **Yourong Deng**, Yangchun (CN)

(**) Term: **15 Years**

(21) Appl. No.: **29/769,845**

(22) Filed: **Feb. 8, 2021**

(51) **LOC (13) Cl.** **31-00**

(52) **U.S. Cl.**
USPC **D7/383; D7/381**

(58) **Field of Classification Search**

USPC D7/376–386, 412
CPC . B26D 1/14; B26D 1/143; B26D 1/15; B26D 1/153; B26D 1/157; B26D 1/18; B26D 1/28; B26D 5/00; B26D 5/06; B26D 5/08; B26D 5/10; B26D 5/12; B26D 5/22; B26D 5/26; B26D 5/38; B26D 5/42; B26D 7/00; B26D 7/01; B26D 7/08; B26D 7/088; B26D 7/12; B26D 7/18; B26D 7/1818; B26D 7/22; B26D 7/225; B26D 7/24; B26D 7/26; B26D 7/2614; B26D 7/2621; B26D 7/2628; B26D 7/2635; B26D 7/30; B26D 7/32; B26D 7/325; B27G 13/00; B27G 13/005; B27G 13/10

See application file for complete search history.

(56) **References Cited**

U.S. PATENT DOCUMENTS

D162,996 S * 4/1951 Sivertsen D7/383
D180,304 S * 5/1957 Van Duyn D7/383
3,146,814 A * 9/1964 Anecki B26D 7/00
83/717
D230,630 S * 3/1974 McCue D7/383
D263,237 S 3/1982 Anderson et al.

(Continued)

OTHER PUBLICATIONS

AKG Chef Electric Food Slicer. Date First Available on Amazon.com Sep. 14, 2020 <https://www.amazon.com/dp/B08HYV8VP2/ref> (Year: 2020).*

Primary Examiner — Ricky Pham

(74) *Attorney, Agent, or Firm* — Xiaofang Zhong; Law Office of Xiaofang Zhong, PLLC

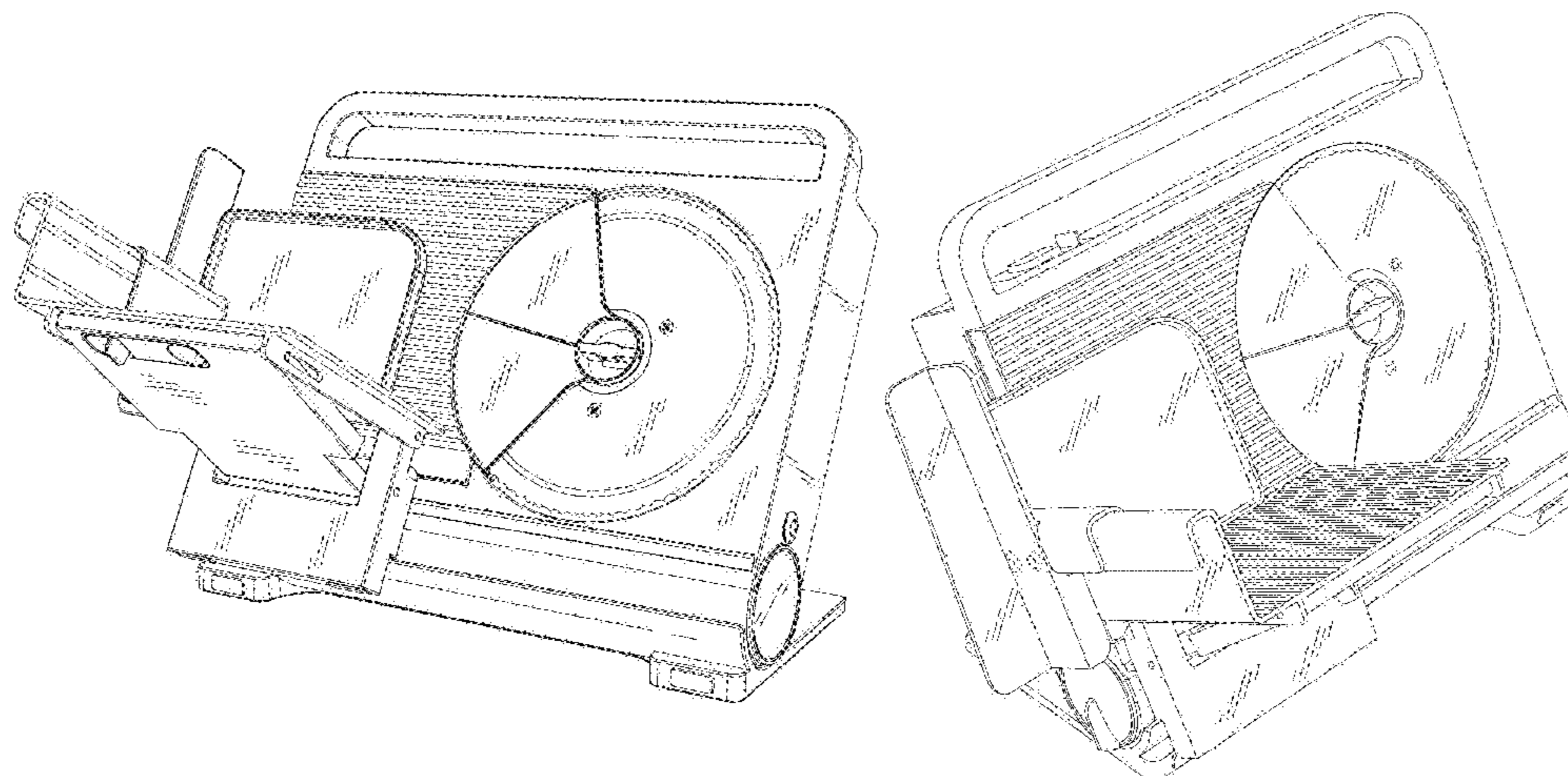
(57) **CLAIM**

The ornamental design for a meat slicer, as shown and described.

DESCRIPTION

FIG. 1 is a perspective view of a meat slicer showing my new design;
FIG. 2 is another perspective view thereof;
FIG. 3 is a top plan view thereof;
FIG. 4 is a bottom plan view thereof;
FIG. 5 is a left-side elevational view thereof;
FIG. 6 is a right-side elevational view thereof;
FIG. 7 is a front view thereof;
FIG. 8 is a back view thereof;
FIG. 9 is a perspective view of the folded meat slicer with the detached food pusher thereof;
FIG. 10 is another perspective view of the folded meat slicer with the detached food pusher thereof;
FIG. 11 is a top plan view of the folded meat slicer with the detached food pusher thereof;
FIG. 12 is a bottom plan view of the folded meat slicer with the detached food pusher thereof;
FIG. 13 is a left-side elevational view of the folded meat slicer with the detached food pusher thereof;
FIG. 14 is a right-side elevational view of the folded meat slicer with the detached food pusher thereof;
FIG. 15 is a front view of the folded meat slicer with the detached food pusher thereof; and,
FIG. 16 is a back view of the folded meat slicer with the detached food pusher thereof.
The broken lines in the drawings depict part of the meat slicer that form no part of the claimed design.

1 Claim, 16 Drawing Sheets



(56)

References Cited

U.S. PATENT DOCUMENTS

5,509,337 A * 4/1996 Norman B26D 7/088
83/478
D373,926 S 9/1996 White et al.
D406,990 S 3/1999 Ocampo
D418,011 S * 12/1999 van Dullemen D7/383
D488,953 S * 4/2004 Friel, Sr. D7/383
D503,314 S 3/2005 Wong
D513,682 S * 1/2006 Friel, Sr. D7/383
D544,747 S * 6/2007 Biddle D7/383
D546,638 S 7/2007 Kaposi
8,215,219 B2 * 7/2012 Rummel B26D 5/26
83/717
D683,577 S 6/2013 Cohen
D718,085 S * 11/2014 Elek D7/383
D747,916 S 1/2016 Wong
D769,670 S 10/2016 Smith et al.
D799,282 S 10/2017 Maslana et al.
D812,962 S 3/2018 Davies et al.
D914,437 S * 3/2021 Liu D7/383
2009/0064876 A1 * 3/2009 Feizi B26D 7/00
99/537

* cited by examiner

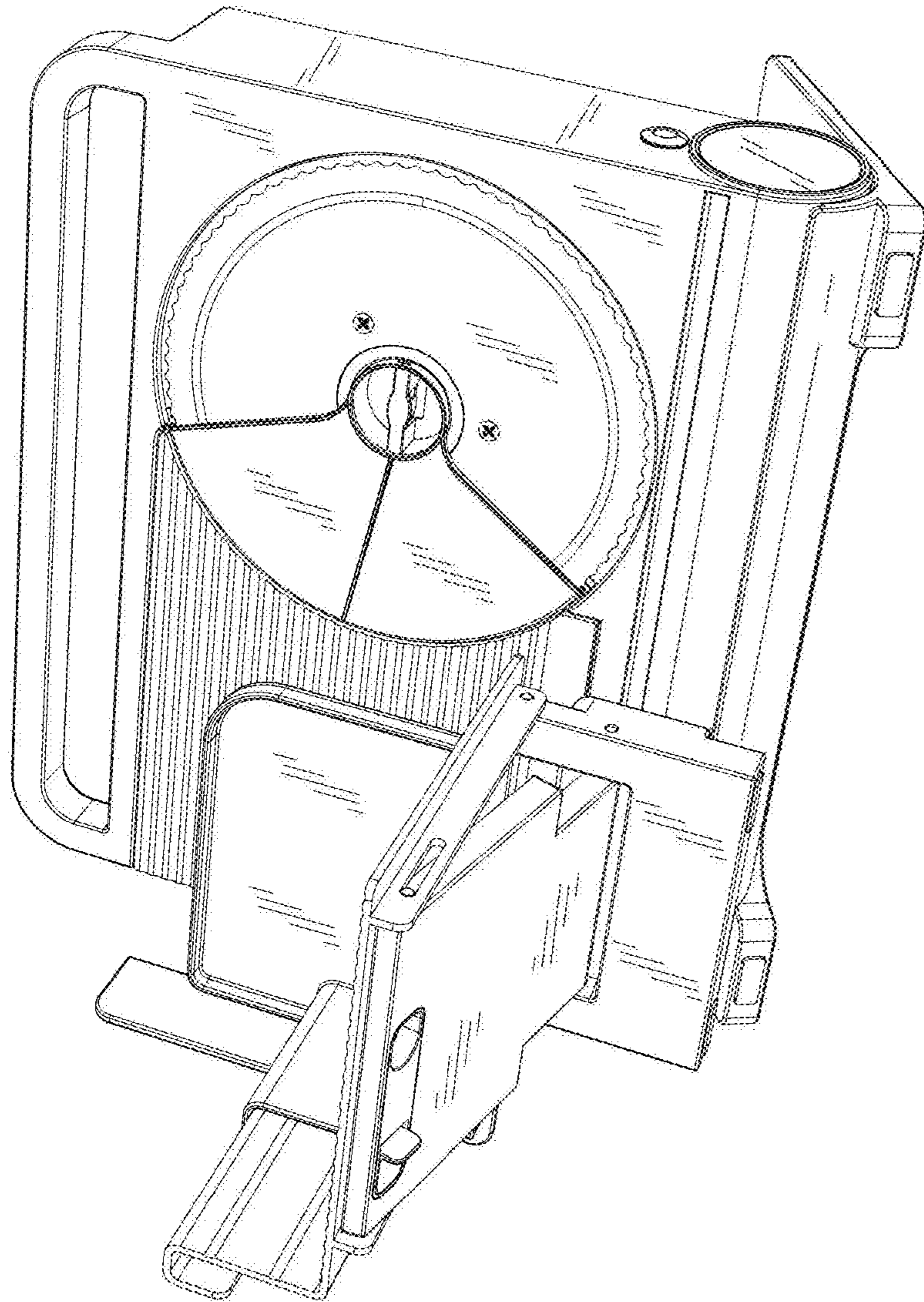


FIG. 1

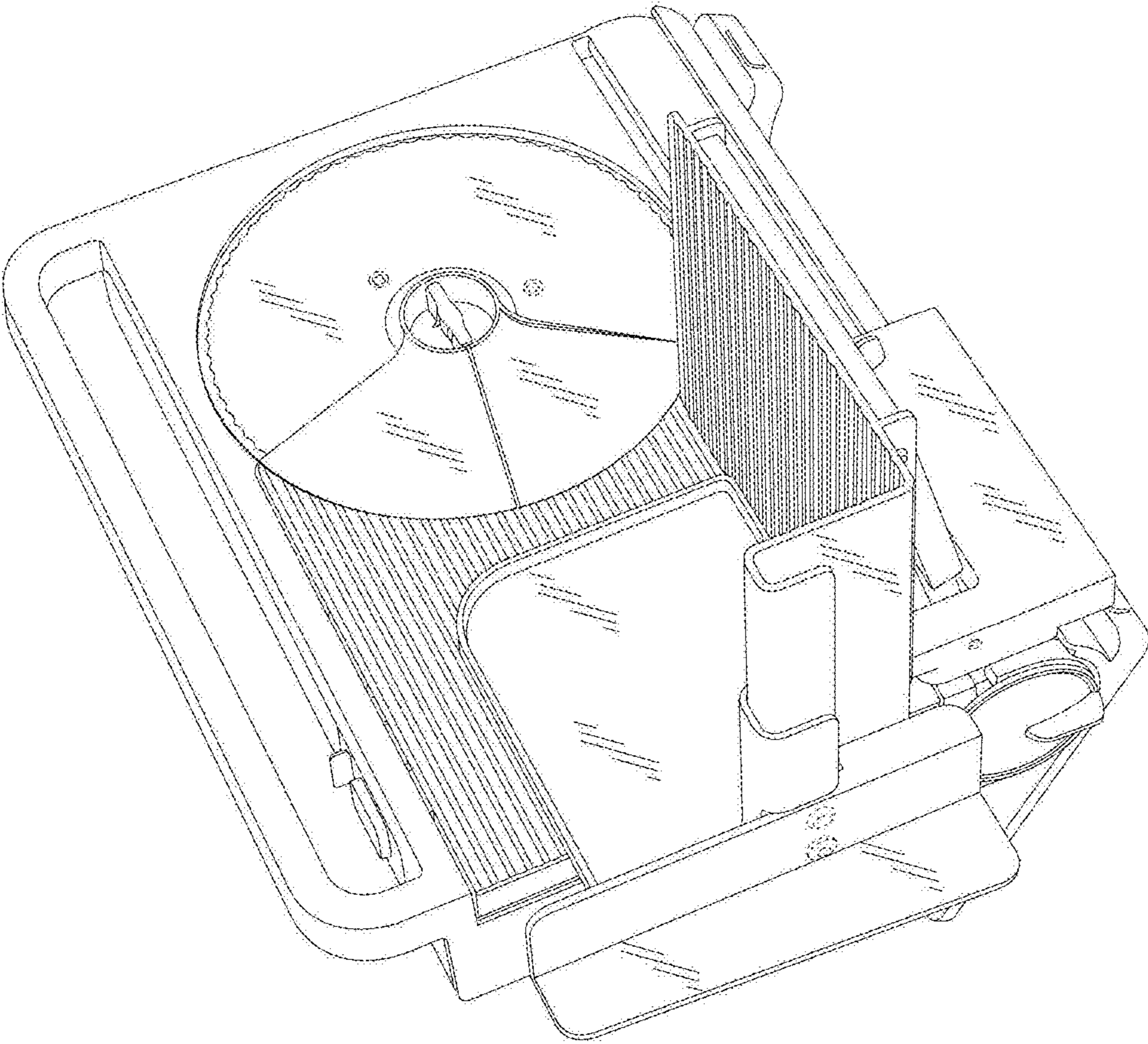


FIG. 2

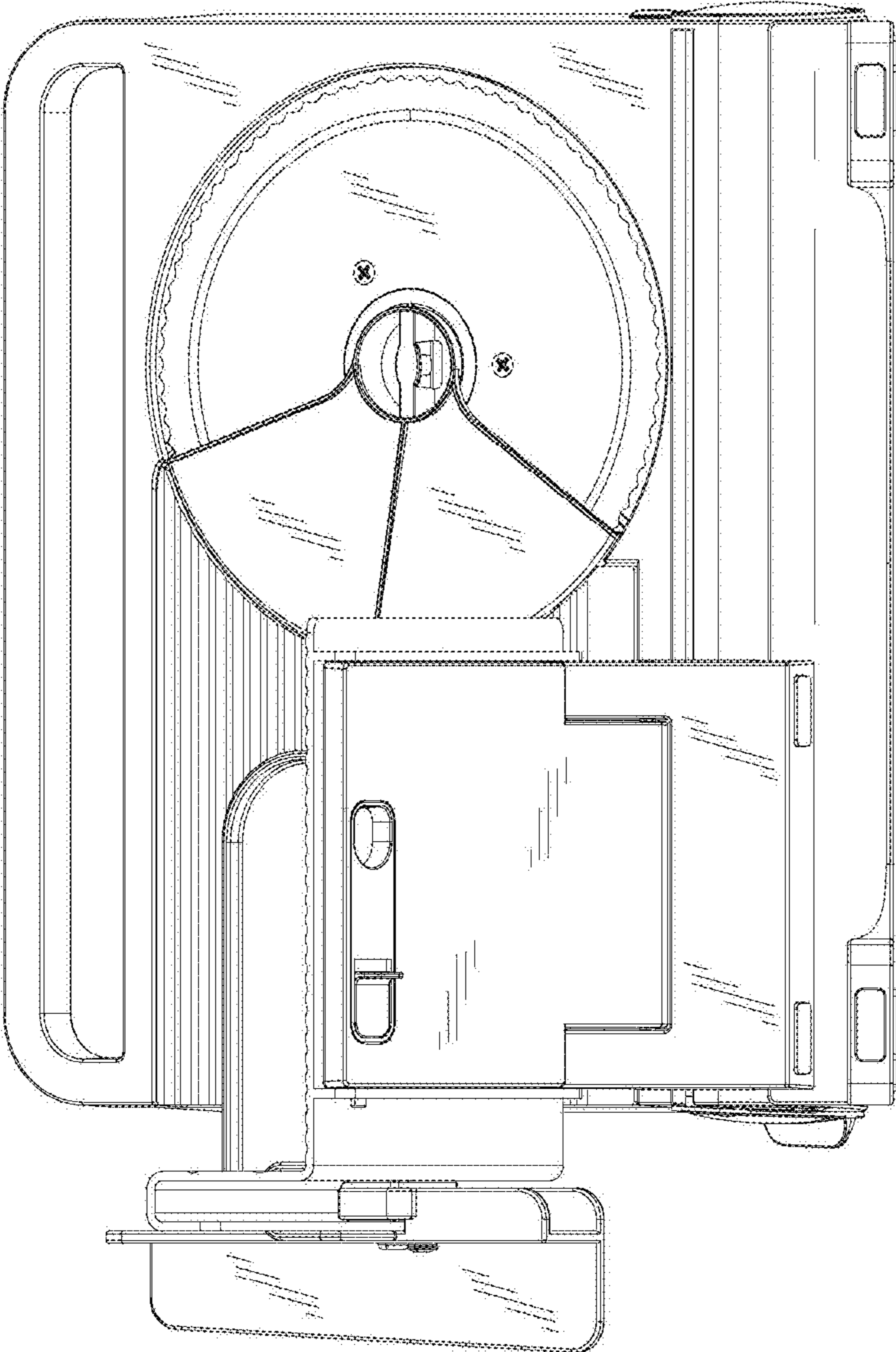


FIG. 3

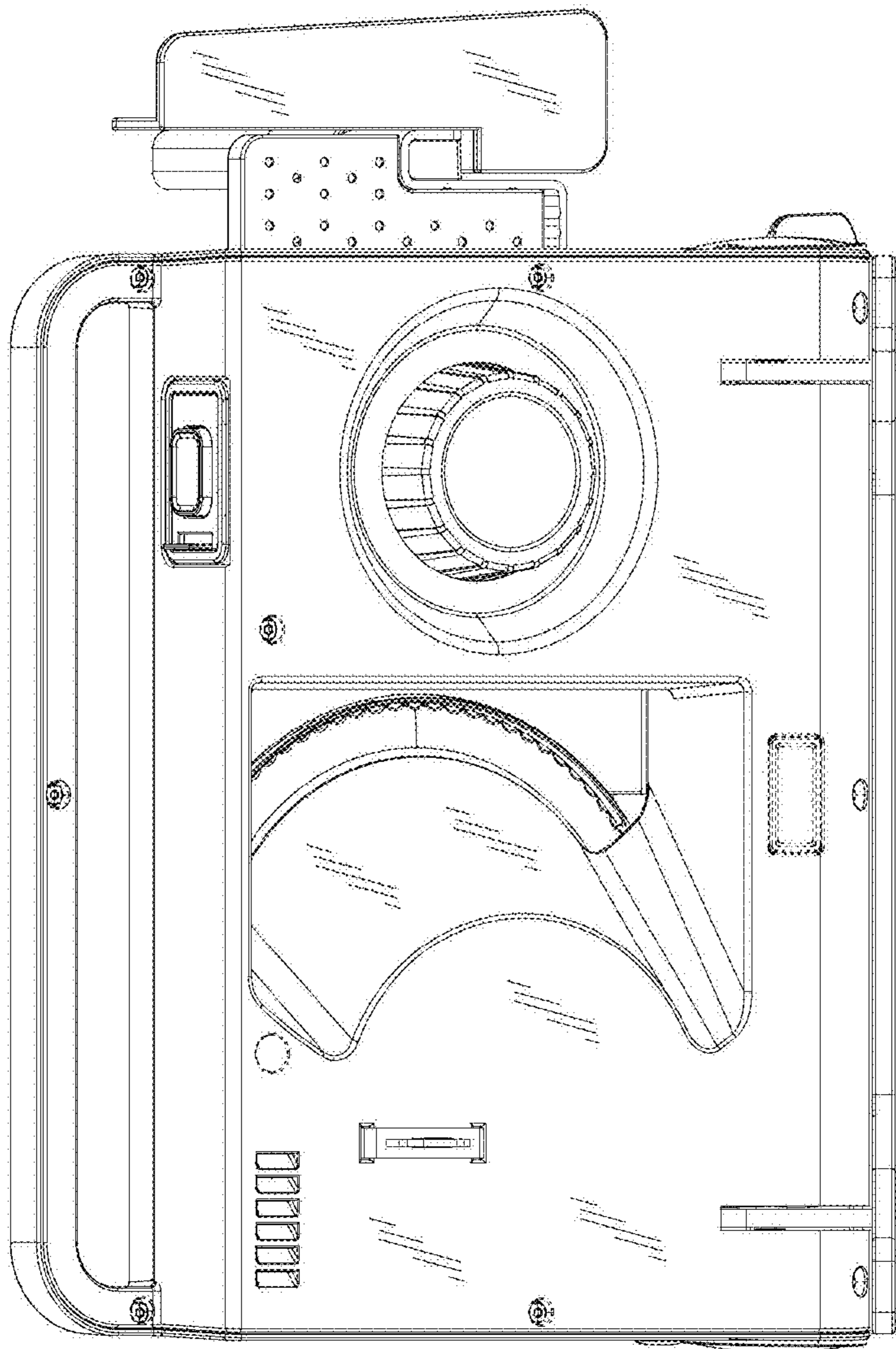


FIG. 4

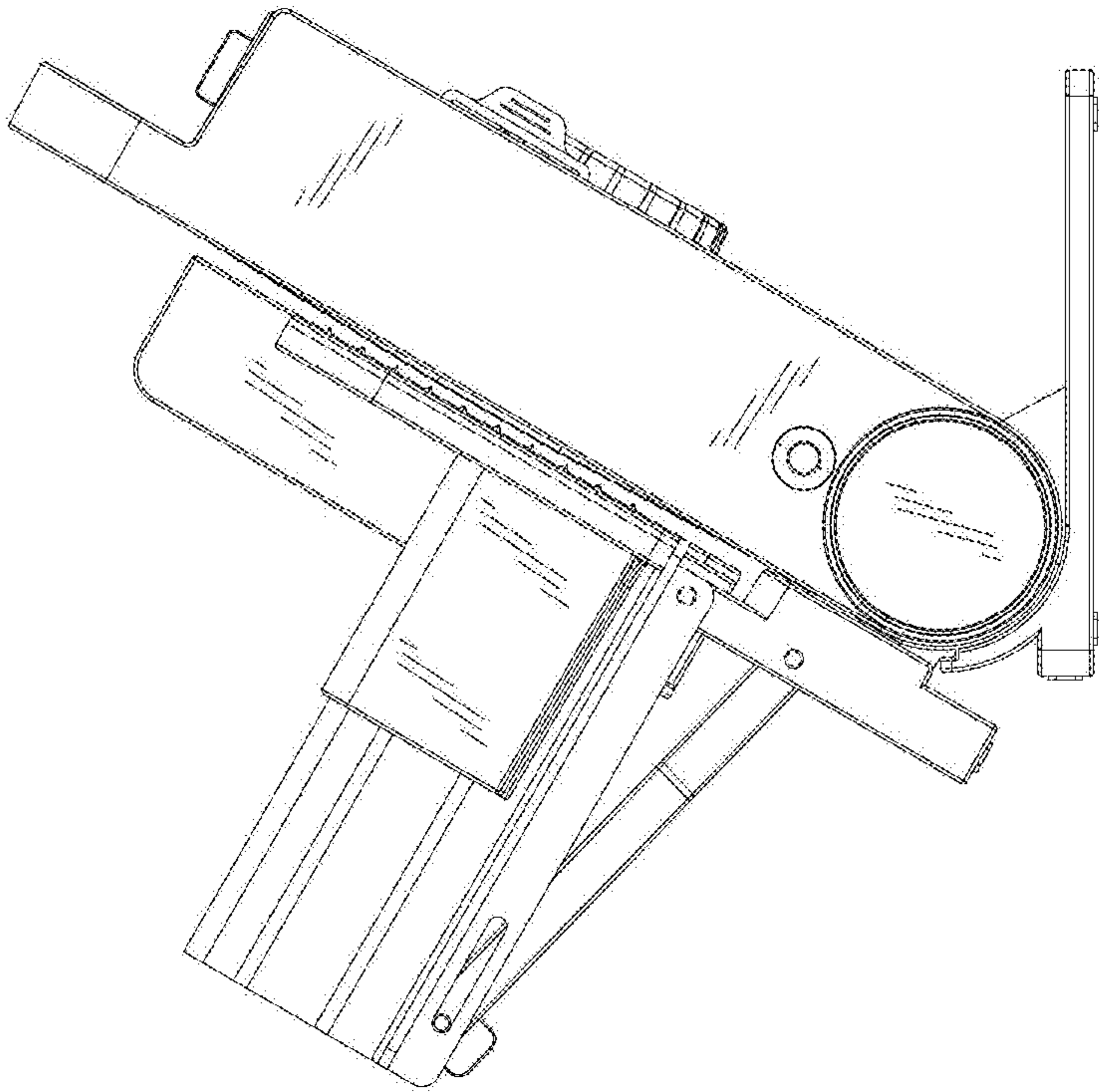


FIG. 5

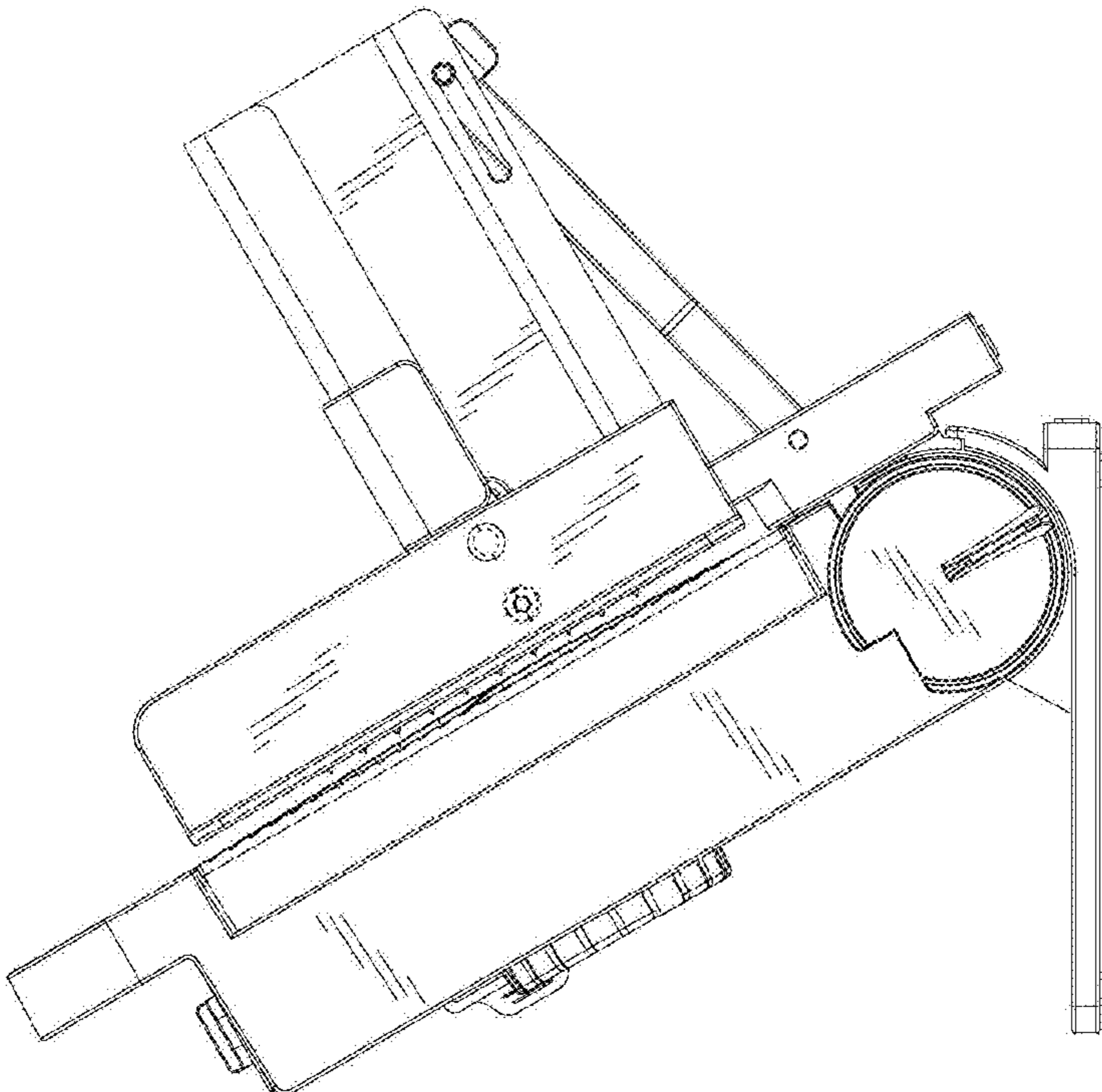


FIG. 6

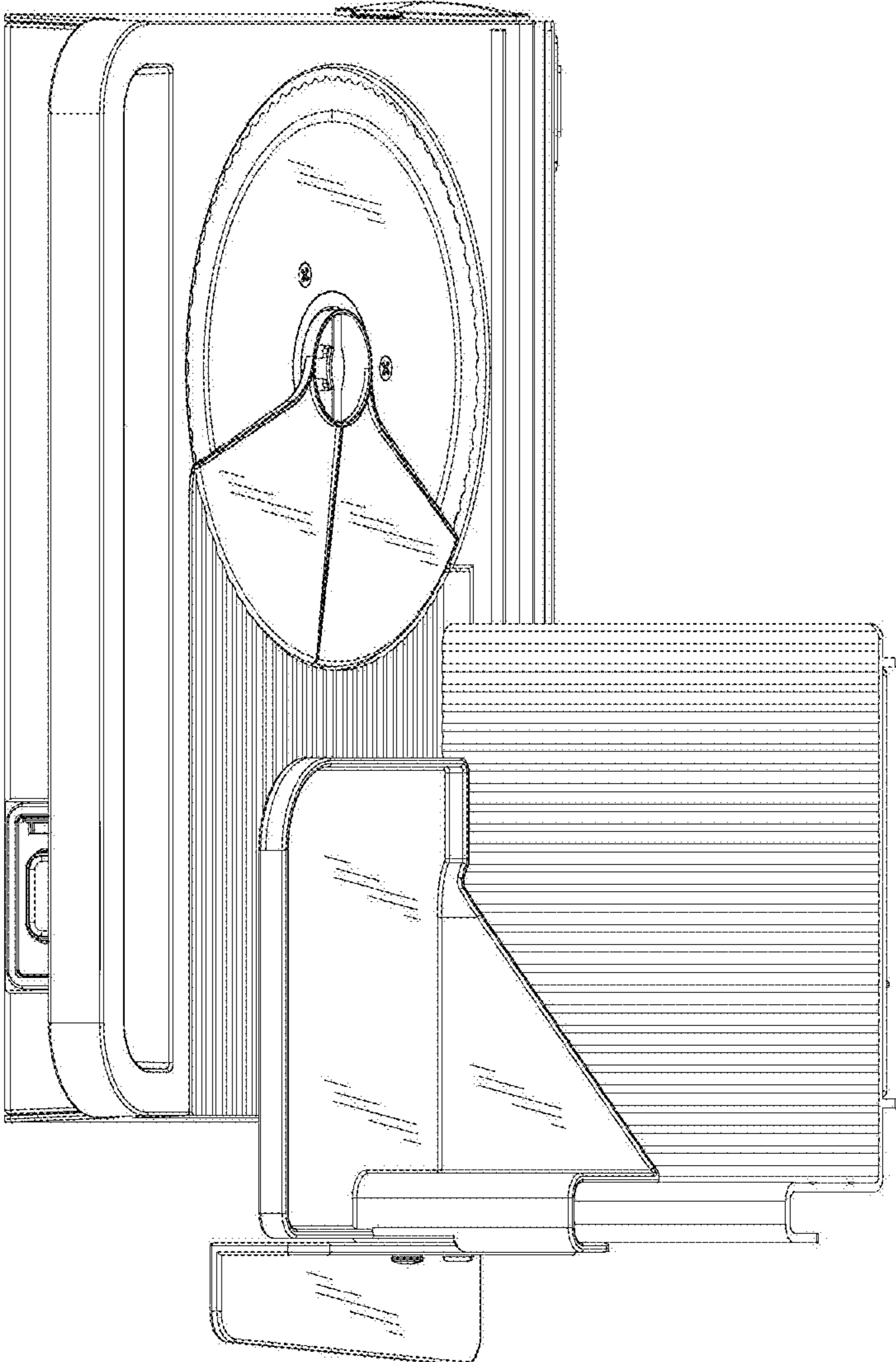


FIG. 7

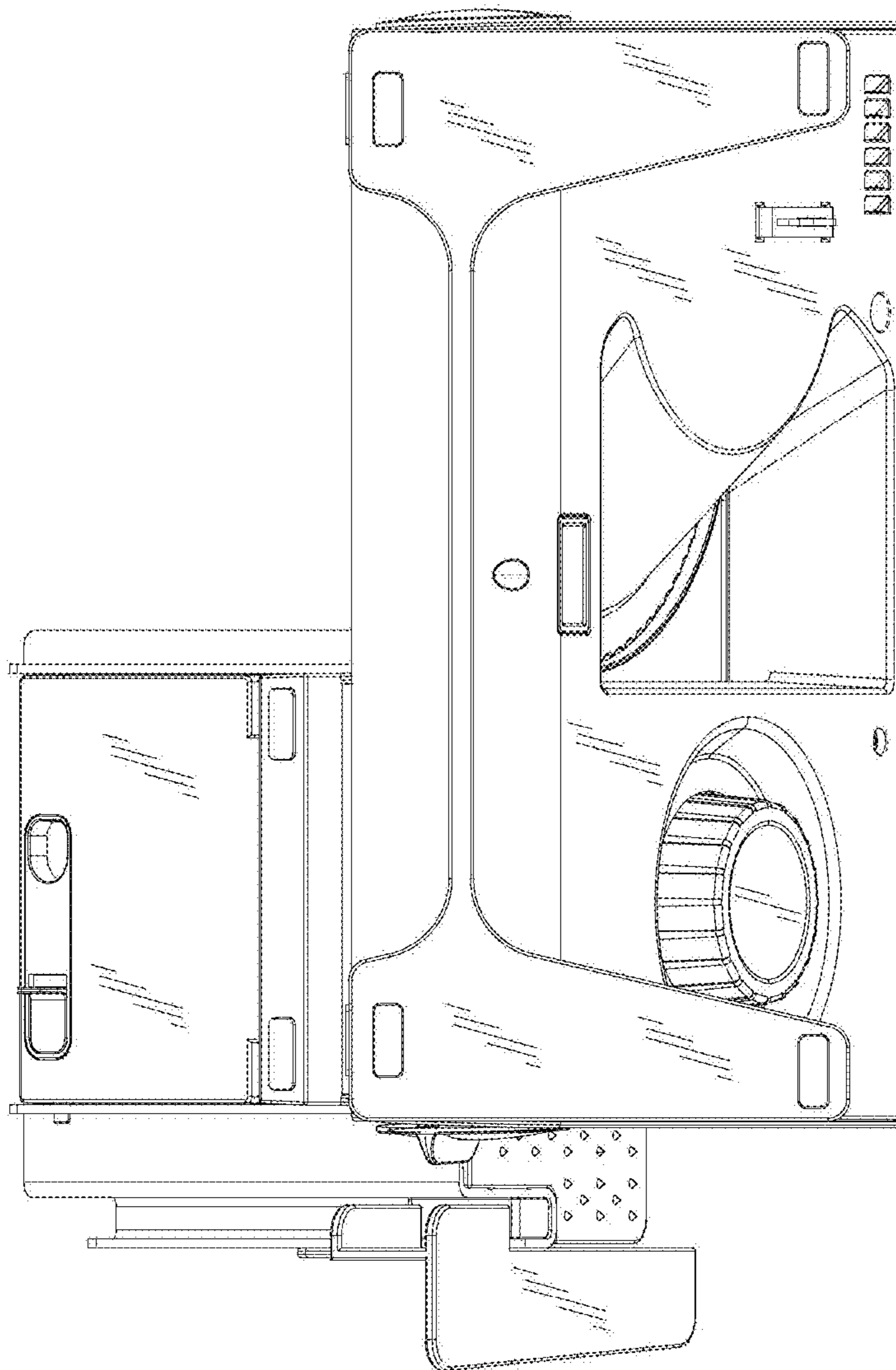


FIG. 8

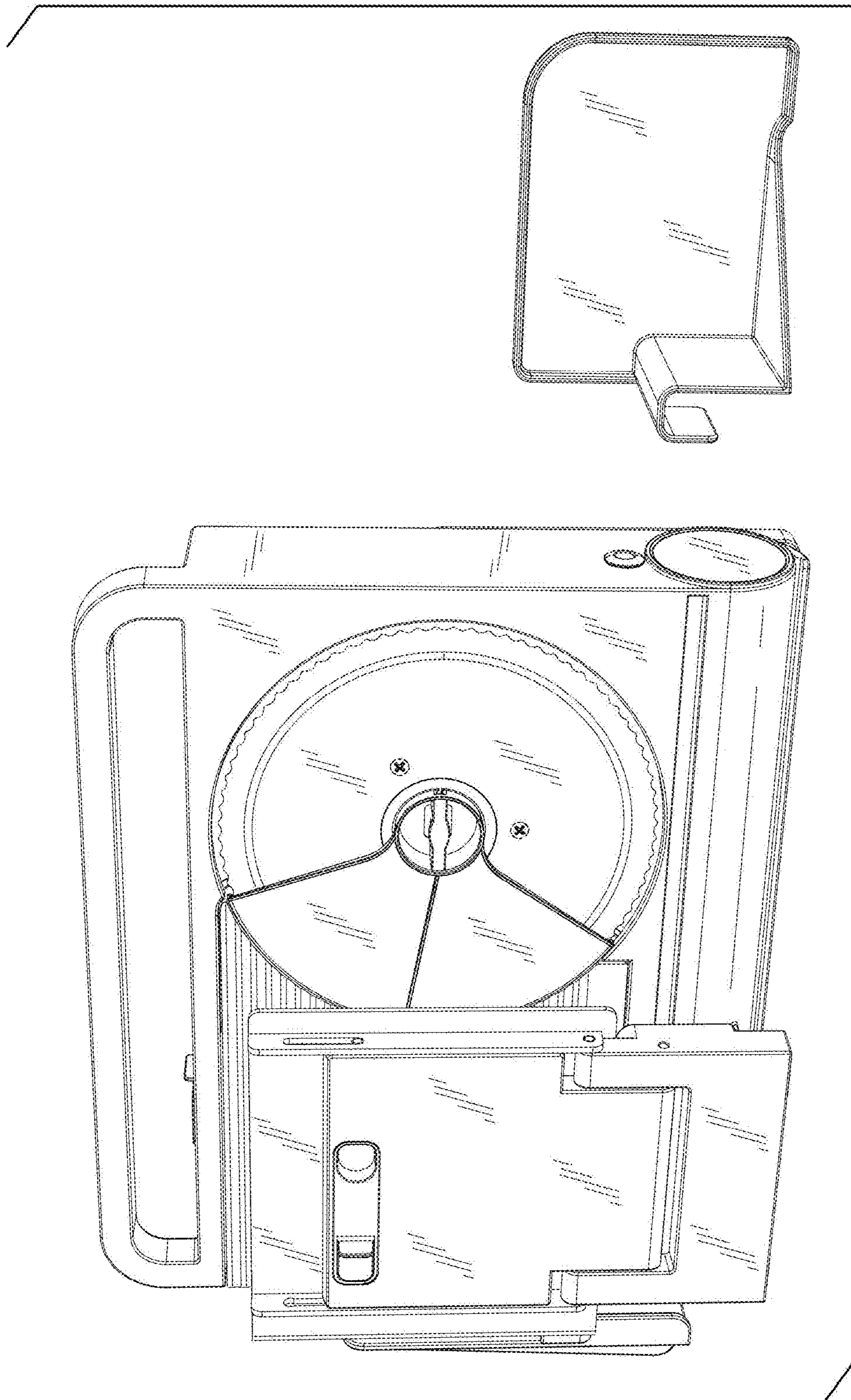


FIG. 9

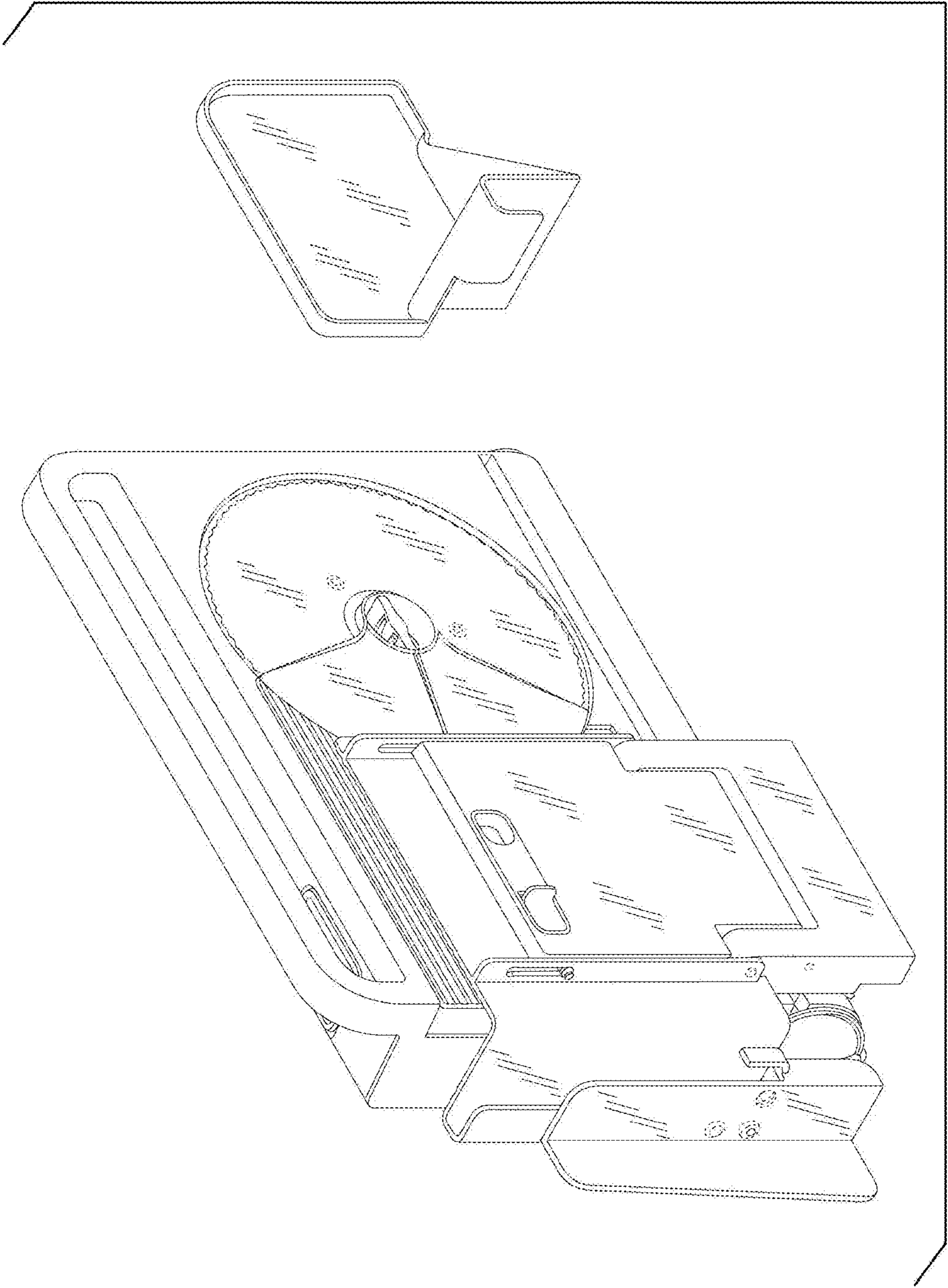


FIG. 10

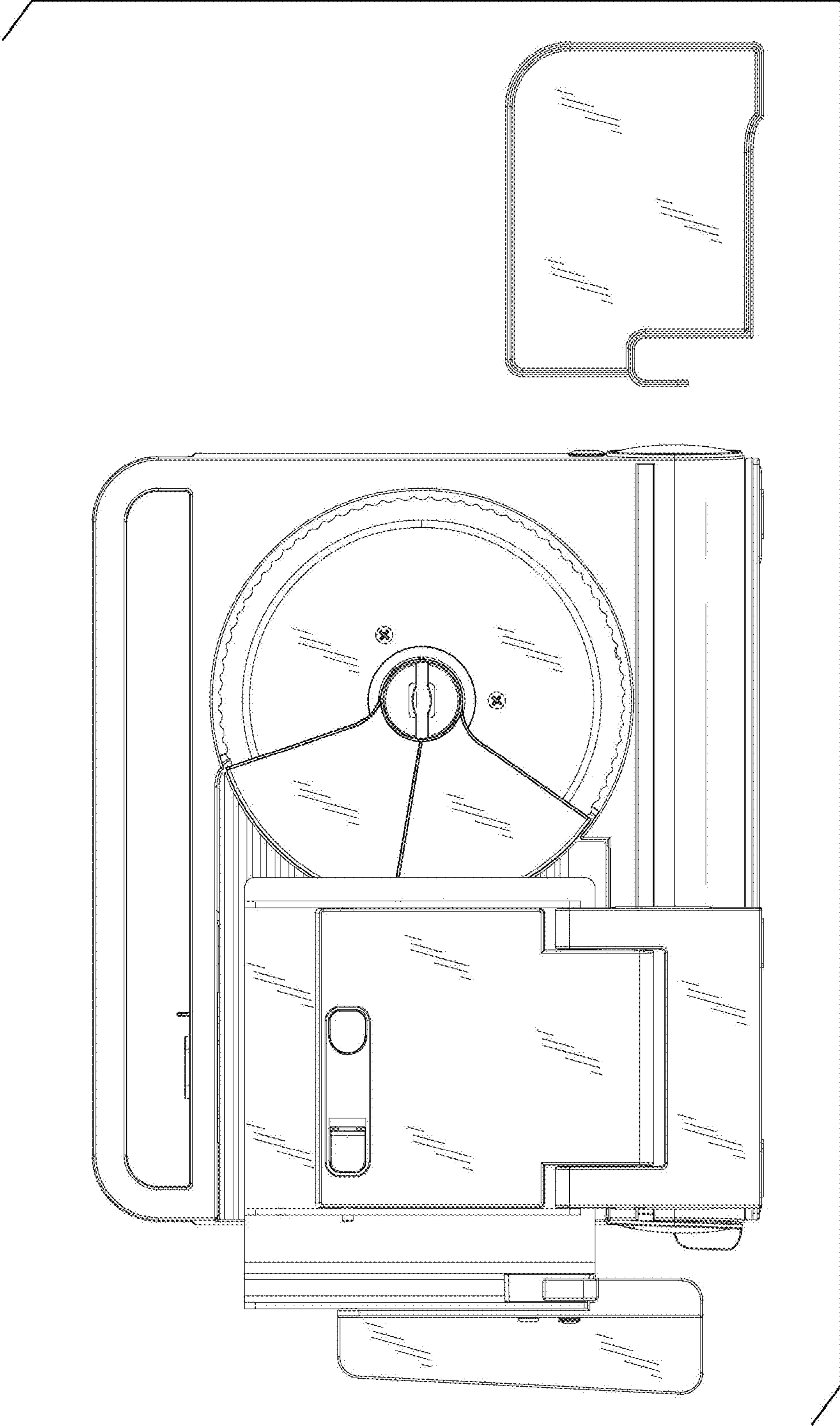


FIG. 11

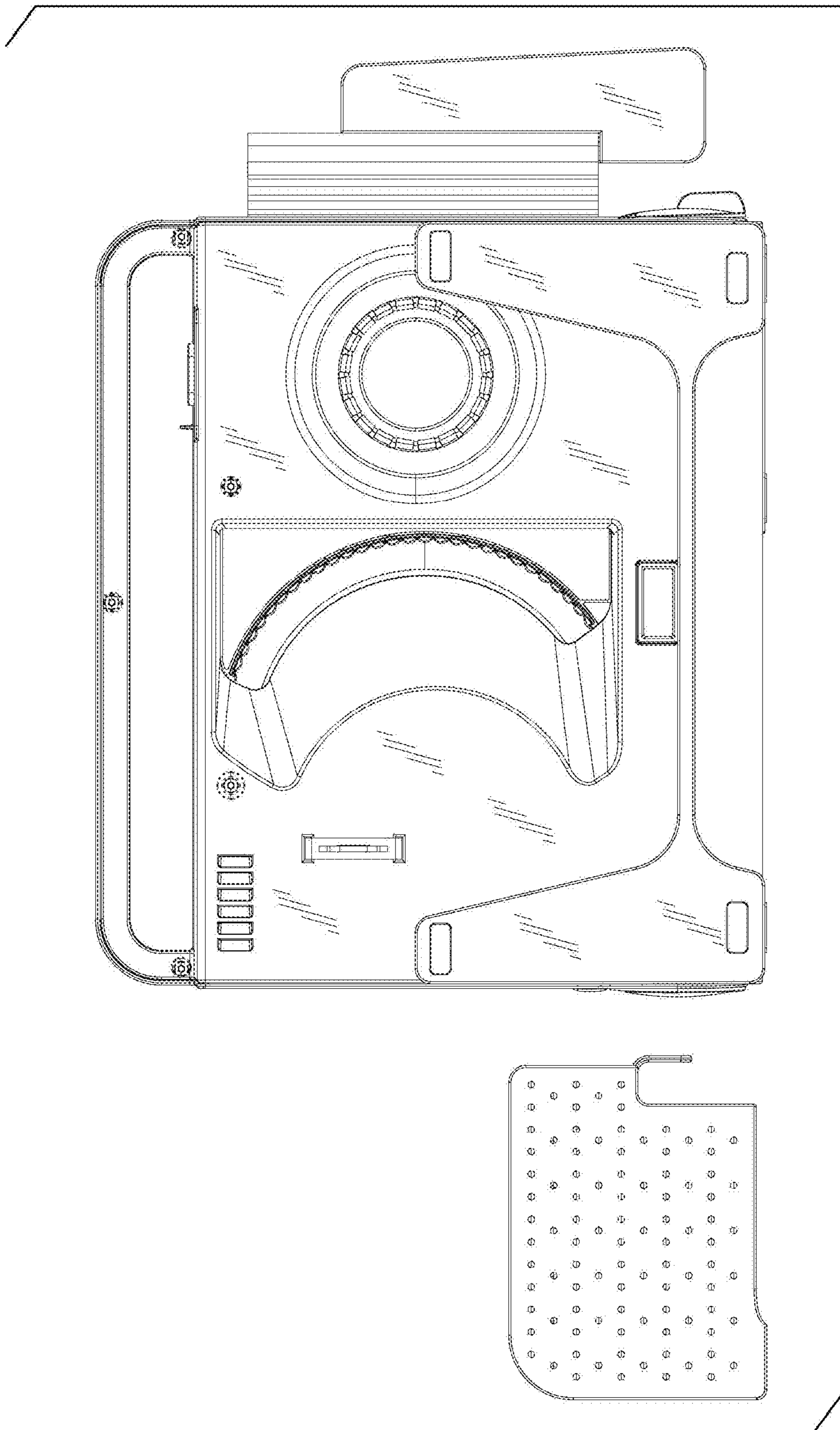


FIG. 12

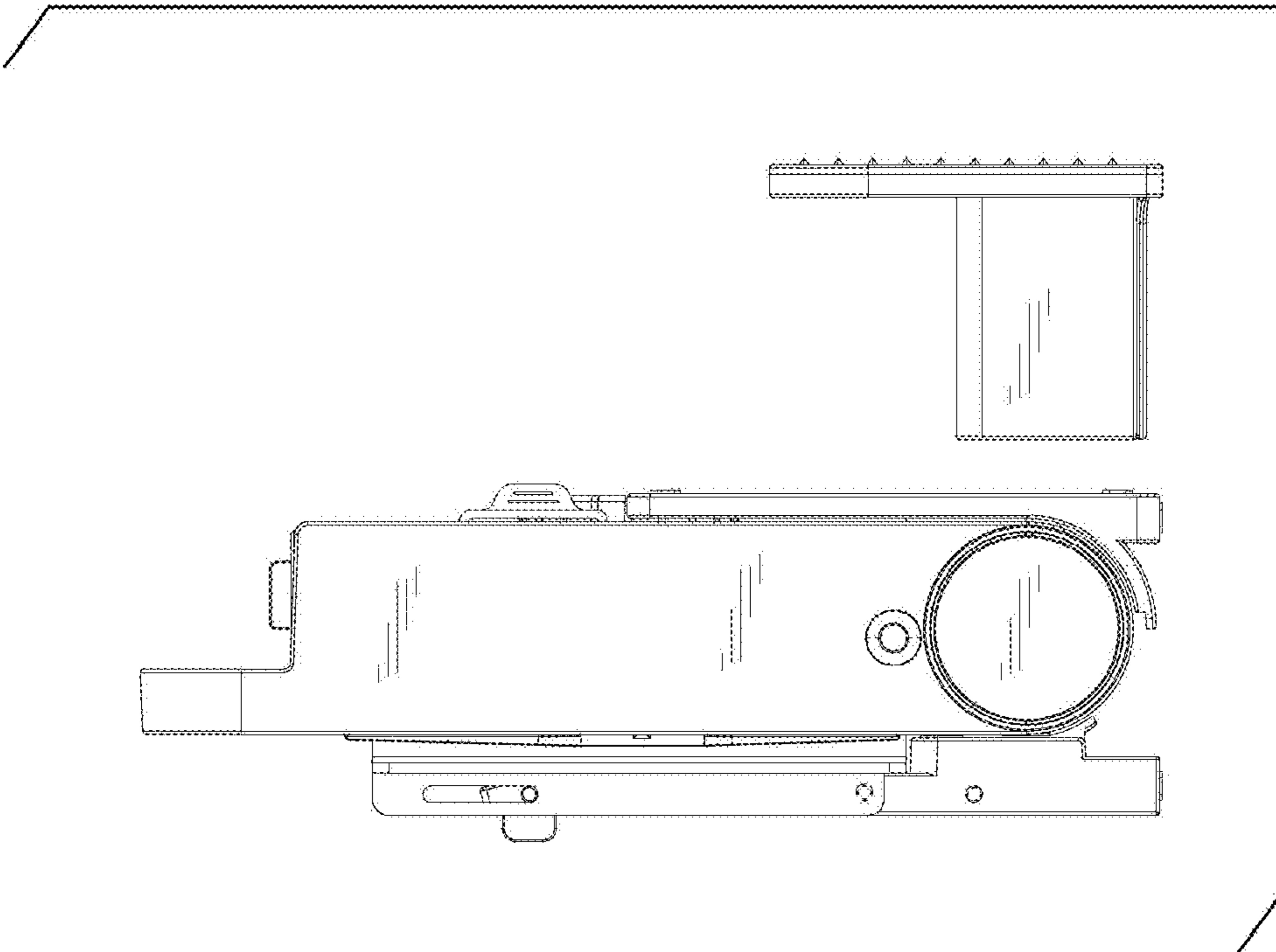


FIG. 13

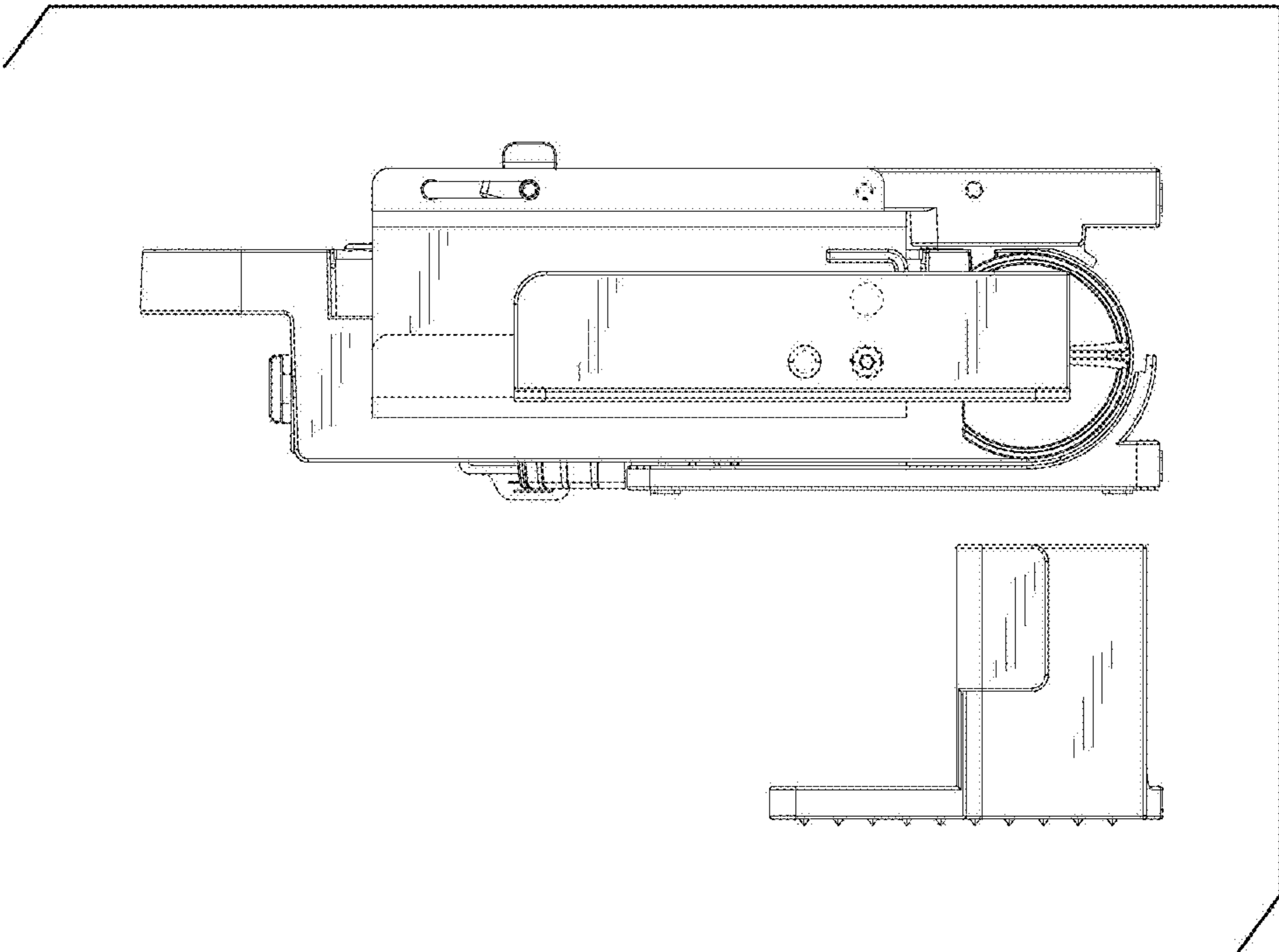


FIG. 14

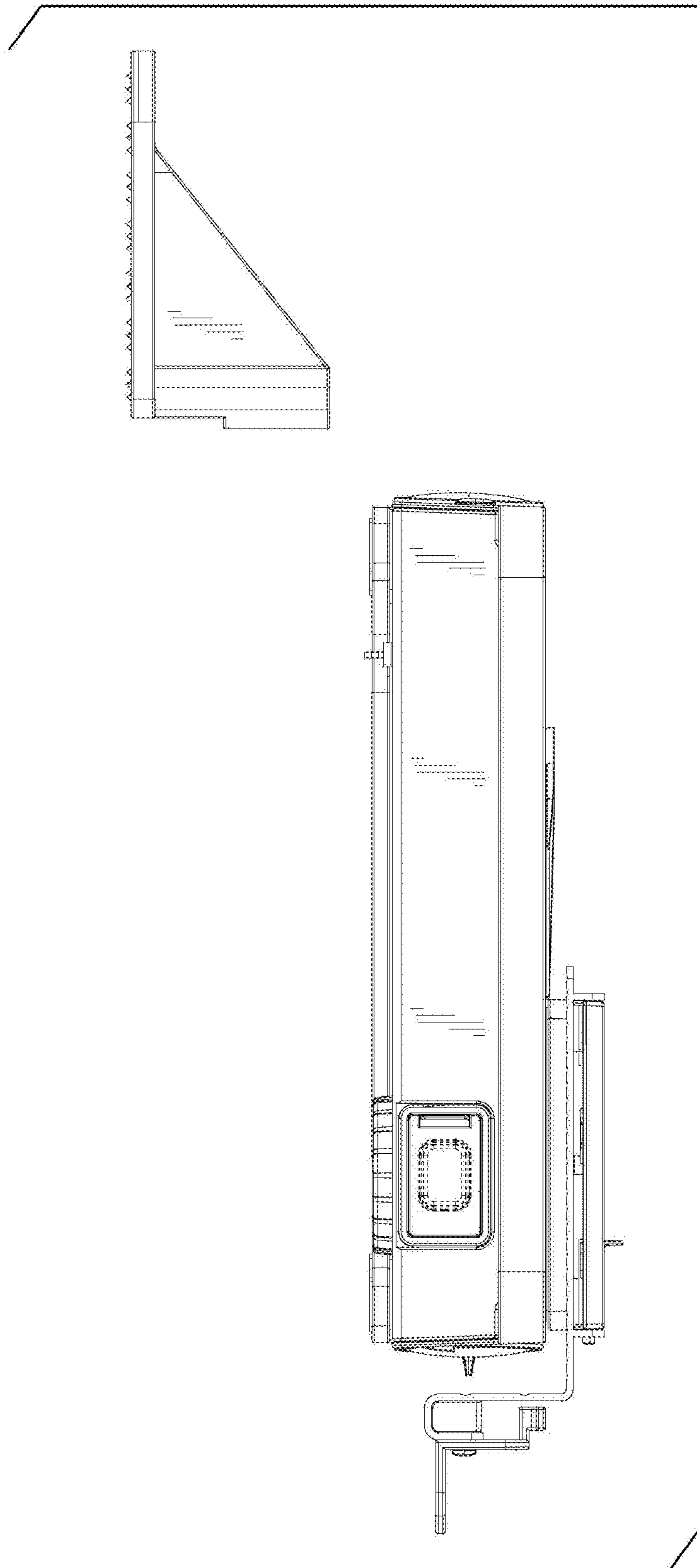


FIG. 15

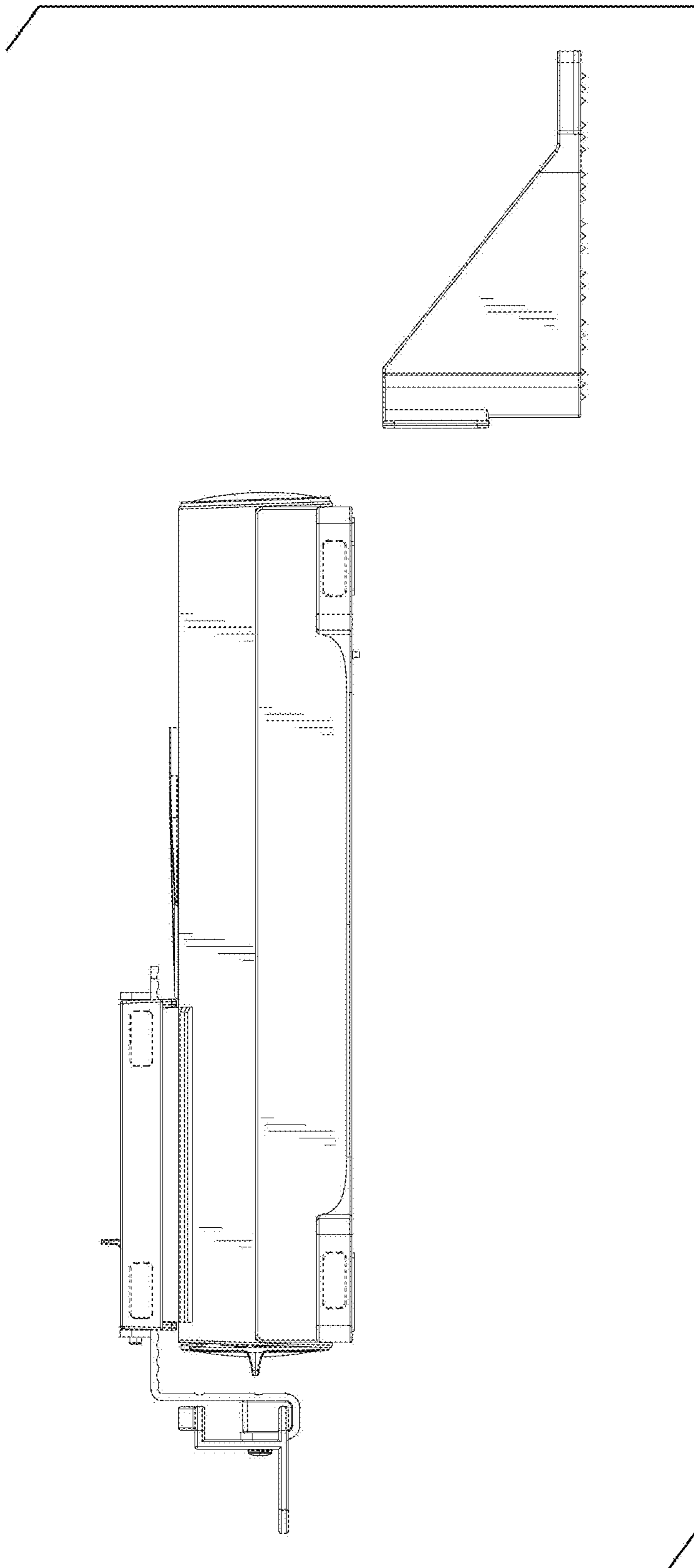


FIG. 16