



US00D926515S

(12) **United States Design Patent** (10) **Patent No.:** **US D926,515 S**
Mano (45) **Date of Patent:** **** Aug. 3, 2021**

(54) **GRIDDLE**
(71) Applicant: **Iris Ohyama Inc.**, Sendai (JP)
(72) Inventor: **Kazunori Mano**, Kakuda (JP)
(73) Assignee: **IRIS OHYAMA INC.**, Sendai (JP)
(**) Term: **15 Years**
(21) Appl. No.: **29/717,073**
(22) Filed: **Dec. 13, 2019**

(30) **Foreign Application Priority Data**
Jul. 24, 2019 (JP) 2019-016586
(51) **LOC (13) Cl.** **07-02**
(52) **U.S. Cl.**
USPC **D7/363**
(58) **Field of Classification Search**
USPC D7/323, 338, 352, 354, 355, 356, 357,
D7/358, 359, 360, 361, 362, 363, 364,
D7/365, 366, 367, 402, 407, 409
CPC .. A21B 3/00; A21B 3/13; A21B 3/131; A21B
3/132; A21B 3/135; A21B 3/136; A21B
3/137; A21B 3/15; A21B 5/00; A21B
5/02; A21B 5/04; A47J 27/00; A47J
36/00; A47J 36/02; A47J 36/06; A47J
36/16; A47J 36/24; A47J 36/022; A47J
36/027; A47J 37/00; A47J 37/01; A47J
37/04; A47J 37/06; A47J 37/10; A47J
37/07; A47J 37/0781; A47J 43/20
See application file for complete search history.

(56) **References Cited**
U.S. PATENT DOCUMENTS
D321,625 S * 11/1991 Dobson D7/360
D415,923 S * 11/1999 Hermansson D7/323
6,024,014 A * 2/2000 Kasai A47J 37/067
99/400

6,267,047 B1 * 7/2001 Mosher, II A47J 37/0713
99/339
D697,752 S * 1/2014 De'Longhi D7/363
D701,044 S * 3/2014 Kishimoto D3/272
D804,892 S * 12/2017 Chang D7/362
D835,451 S * 12/2018 Berge D7/360
D845,072 S * 4/2019 Colston D7/402
D862,974 S * 10/2019 Miyawaki D7/362
2007/0137499 A1 * 6/2007 Leon A47J 37/0664
99/422

(Continued)

OTHER PUBLICATIONS

Tiger hot plate "this one", announced Mar. 8, 2015 [online],
retrieved Oct. 23, 2020, retrieved from internet, <https://www.amazon.com/Tiger-plate-three-plates-CRV-A300-T/dp/B00LTCVXAE>.*

(Continued)

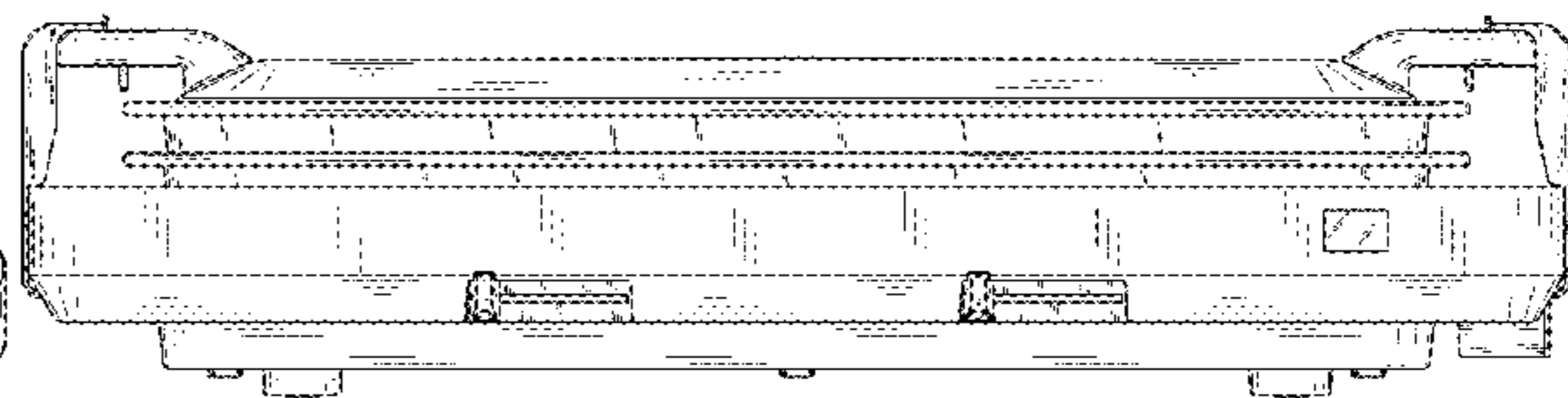
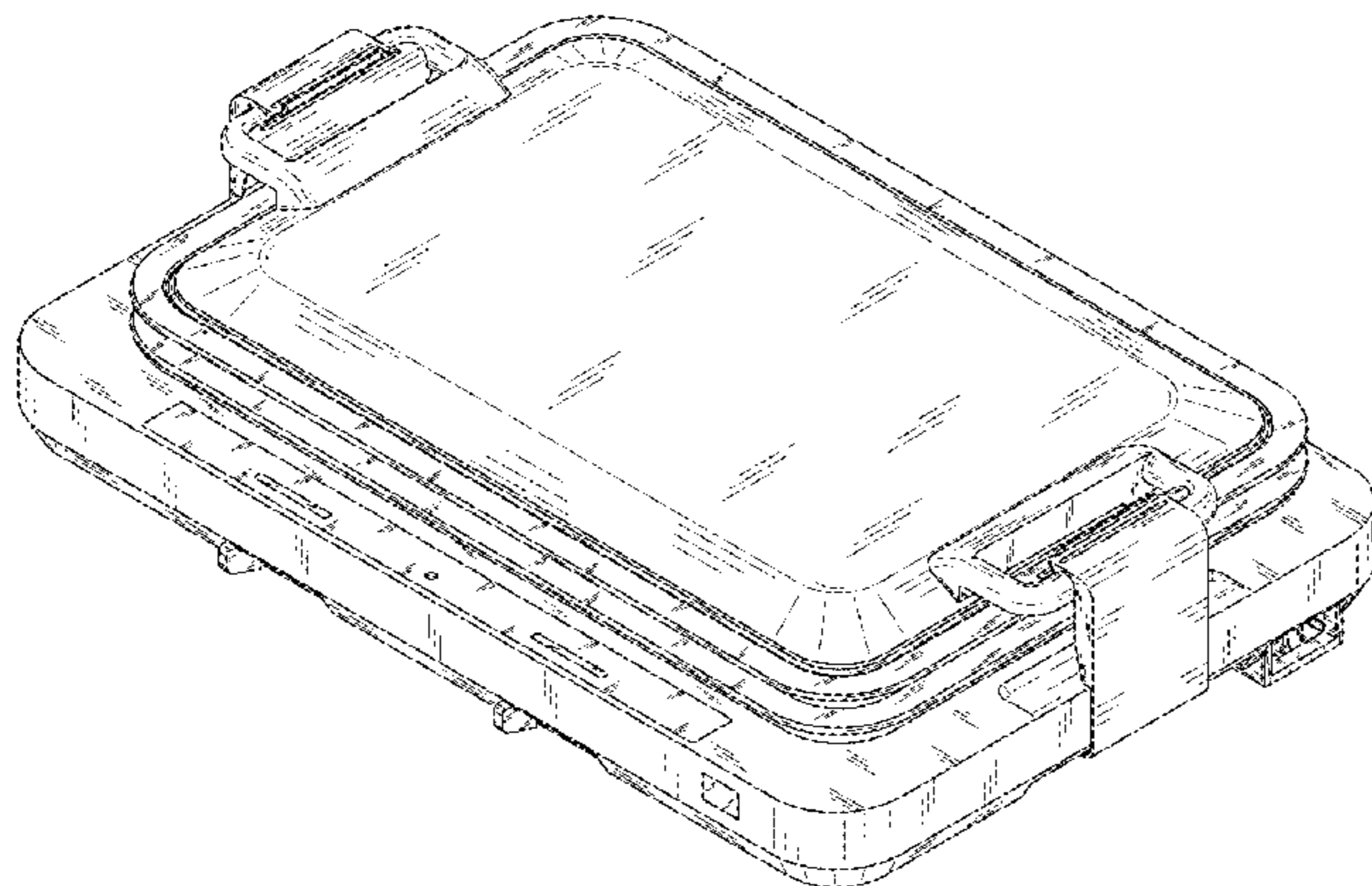
Primary Examiner — Dana K Weiland
Assistant Examiner — Messina L Smith
(74) *Attorney, Agent, or Firm* — Studebaker & Brackett
PC

(57) **CLAIM**
The ornamental design for a griddle, as shown and
described.

DESCRIPTION

FIG. 1 is a front, top, and right-side perspective view of a
griddle showing my new design;
FIG. 2 is a front view thereof;
FIG. 3 is a rear view thereof;
FIG. 4 is a top view thereof;
FIG. 5 is a bottom view thereof;
FIG. 6 is a right-side view thereof;
FIG. 7 is a left-side view thereof; and,
FIG. 8 is a rear, top, and left-side perspective view thereof.
The broken lines illustrate portions of the griddle and form
no part of the claimed design.

1 Claim, 8 Drawing Sheets



(56)

References Cited

U.S. PATENT DOCUMENTS

2011/0084057 A1* 4/2011 Lin A47J 37/0709
219/450.1
2014/0050834 A1* 2/2014 Berge A23L 5/10
426/523

OTHER PUBLICATIONS

TIGER Hot Plate“Kore Ichidai”, announced © 2020 [online],
retrieved Oct. 23, 2020, retrieved from internet, <https://www.lebanon.ubuy.com/en/catalog/product/view/id/8958885/s/tiger-hot-plate-quot-kore-ichidai-quot-c/>.*

* cited by examiner

FIG. 1

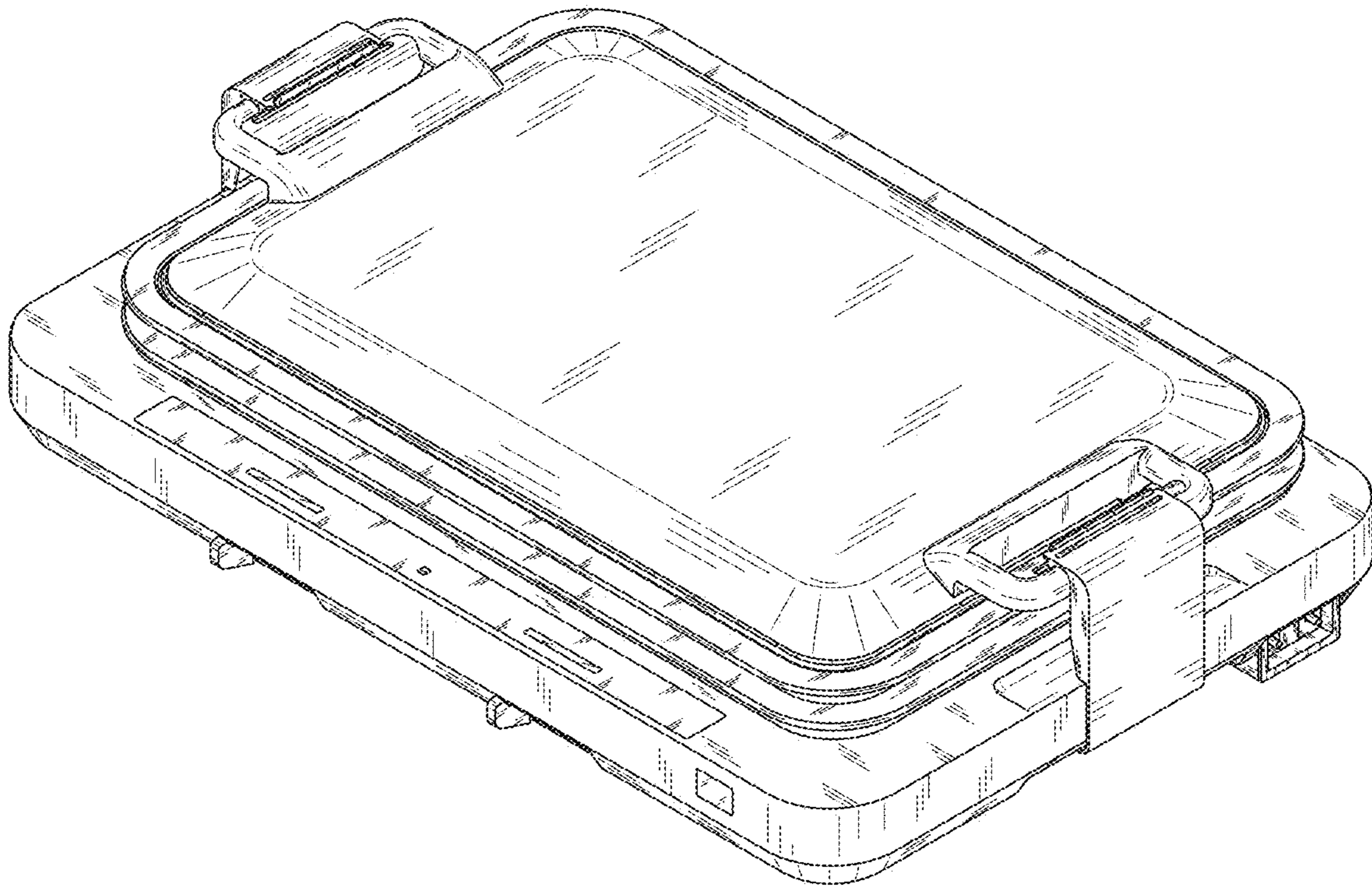


FIG.2

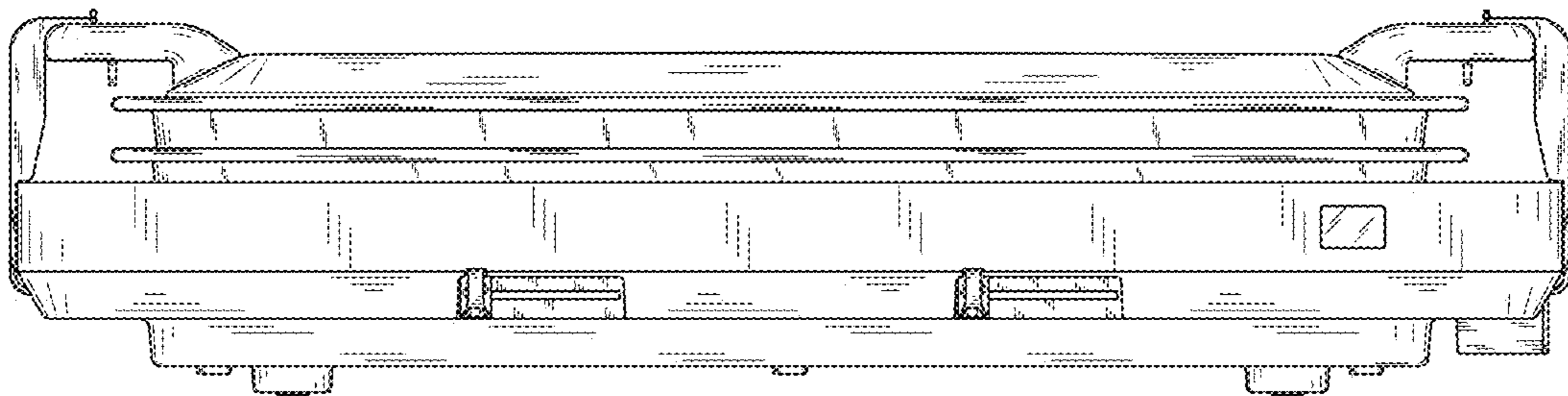


FIG.3

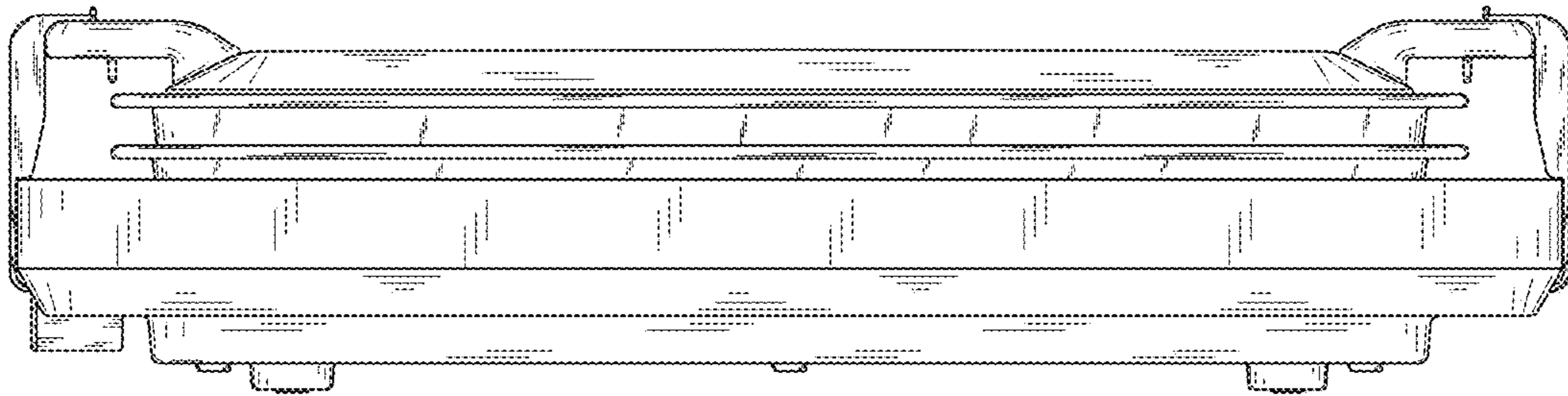


FIG.4

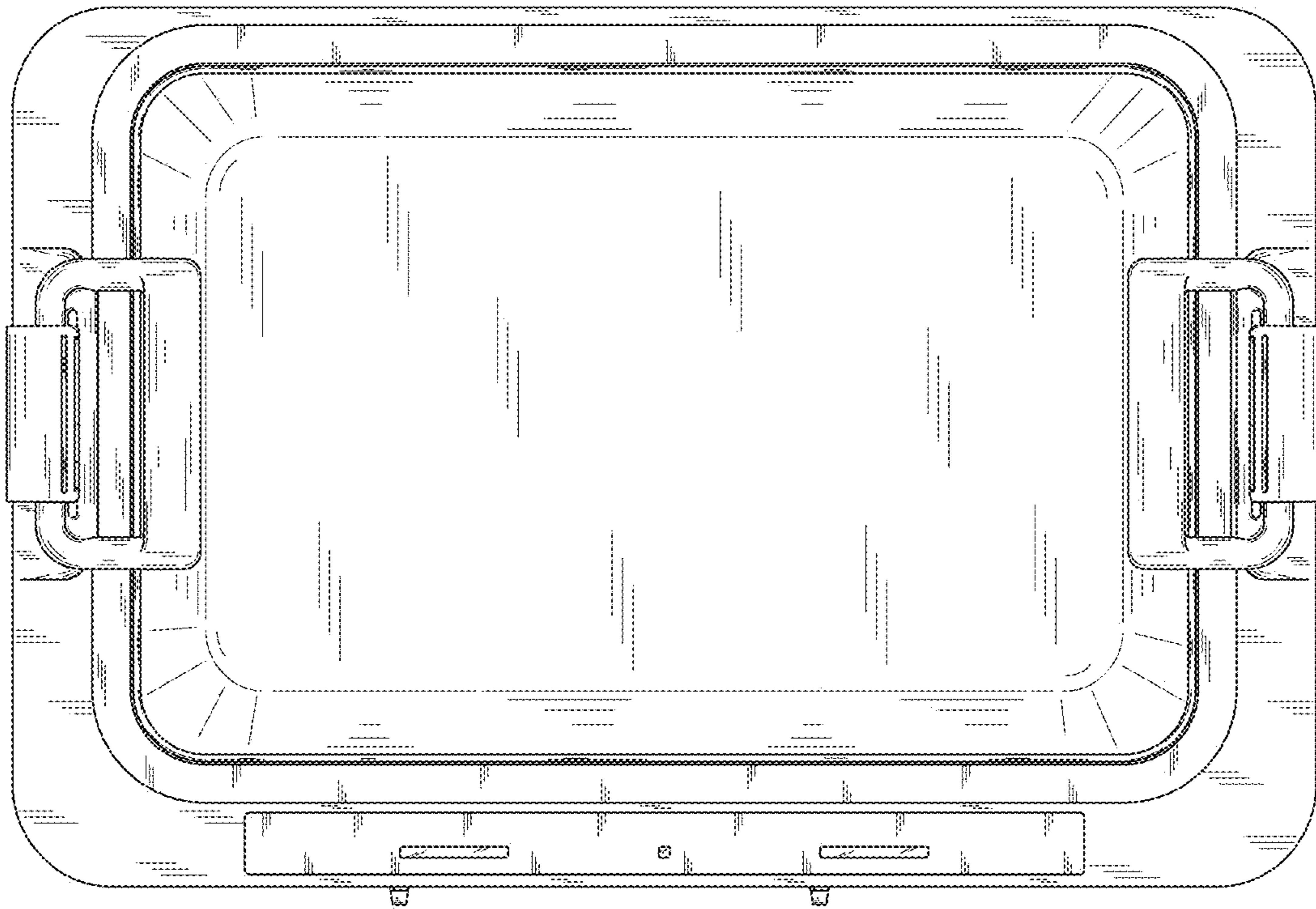


FIG.5

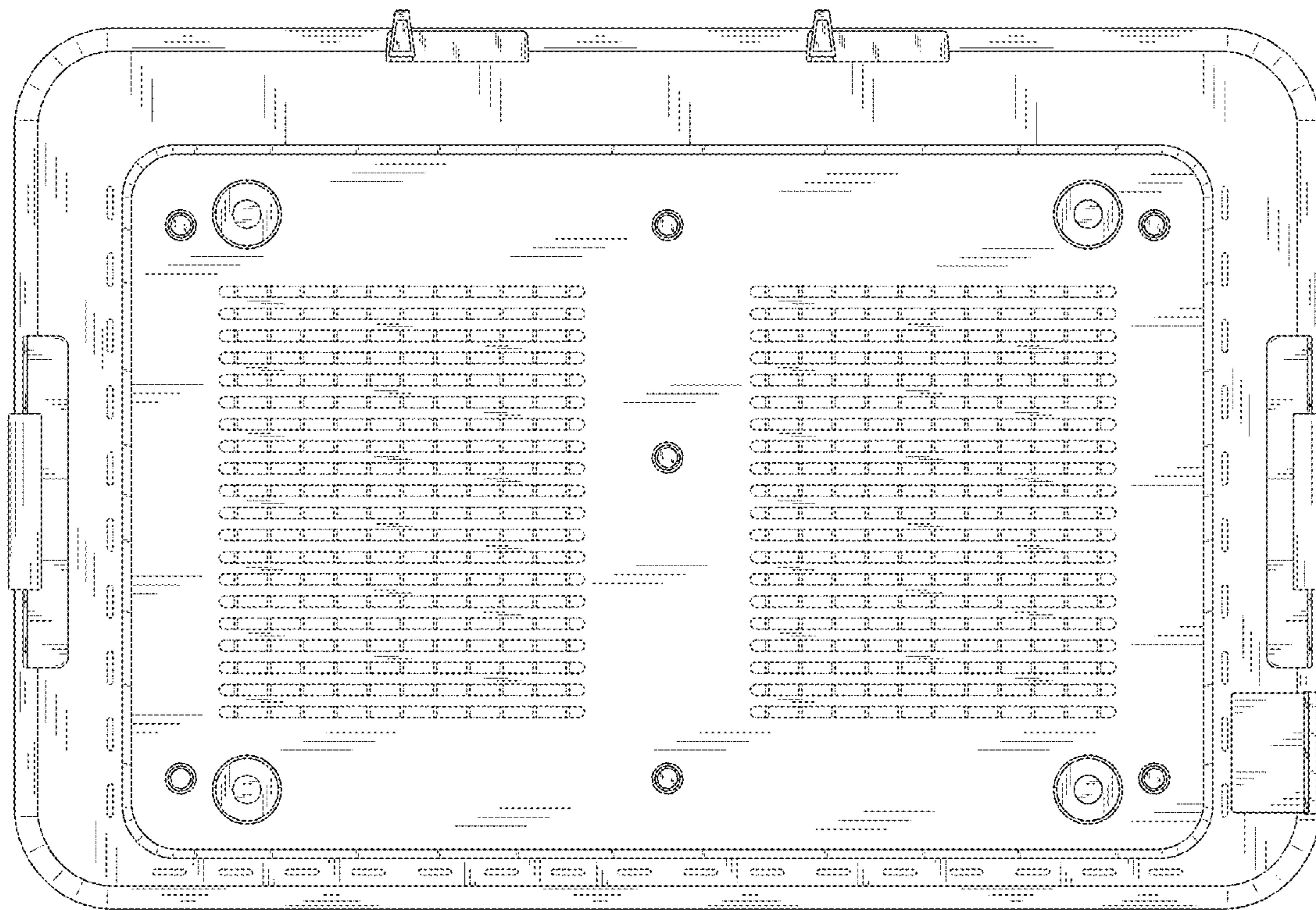


FIG.6

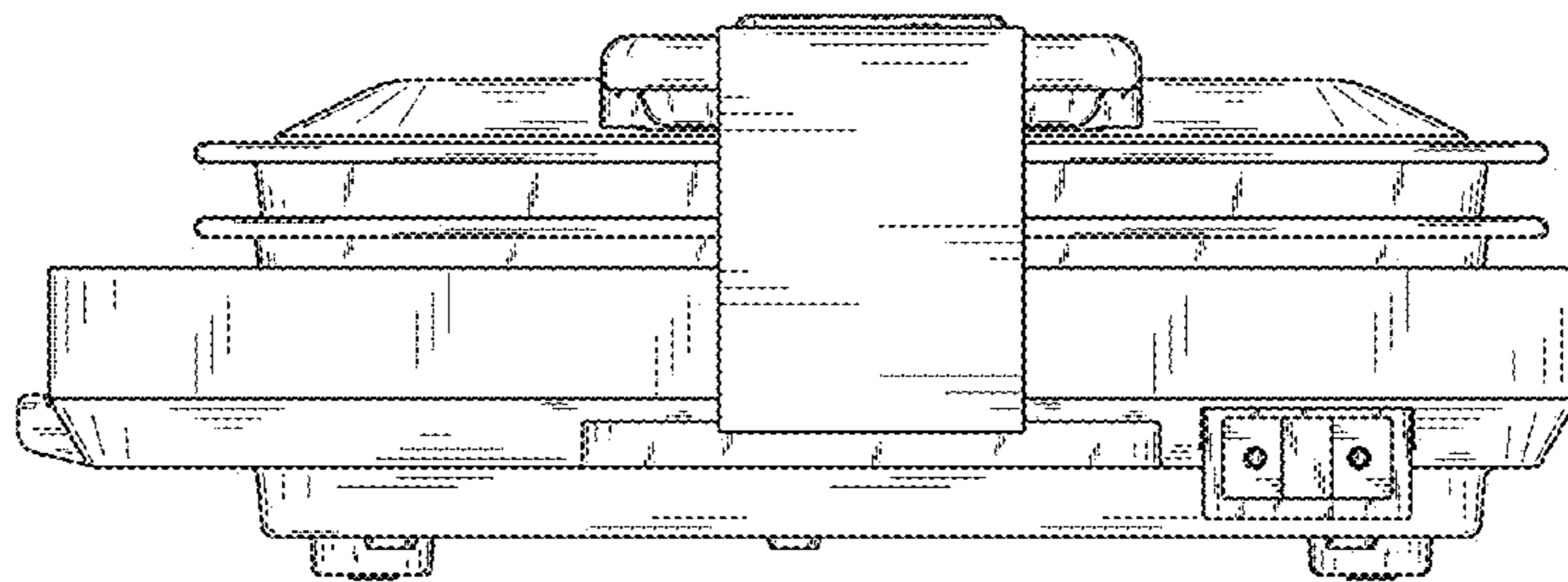


FIG. 7

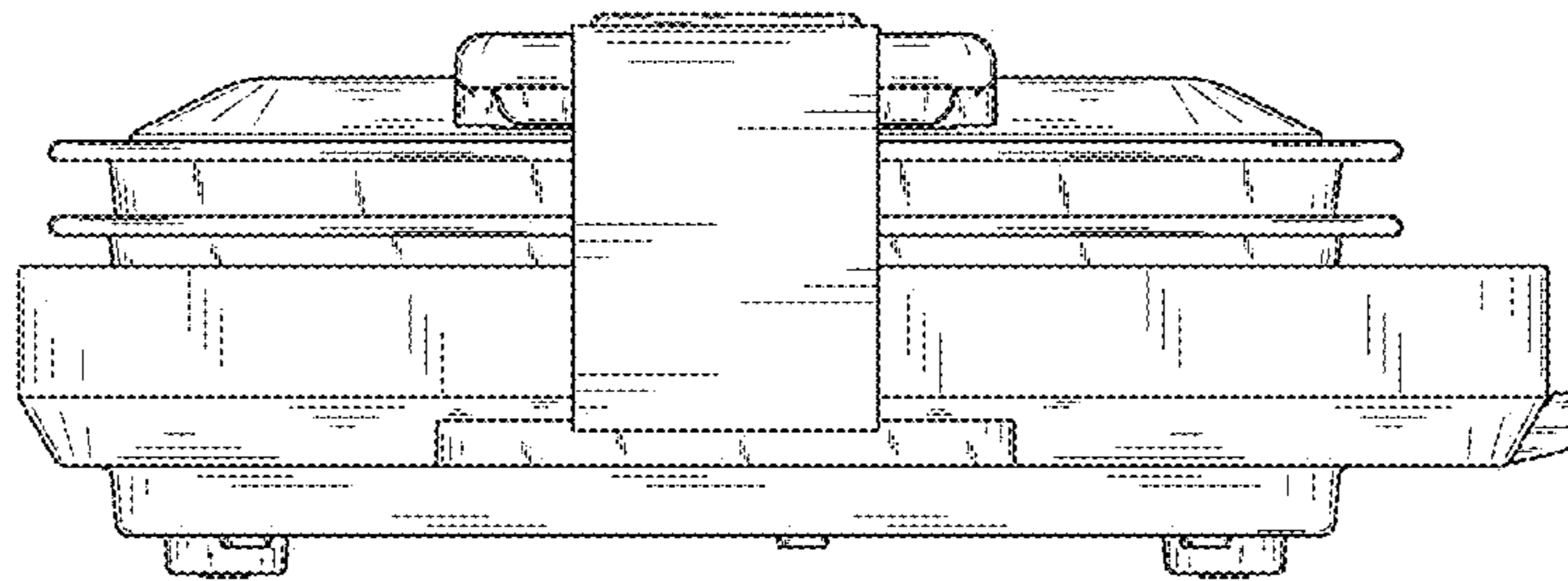


FIG. 8

