



US00D926514S

(12) **United States Design Patent**  
**Du**

(10) **Patent No.:** **US D926,514 S**

(45) **Date of Patent:** **\*\* Aug. 3, 2021**

(54) **ROASTING TRAY**

(71) Applicant: **ZHONGSHAN XINNENG APPLIANCES CO., LTD.**, Zhongshan (CN)

(72) Inventor: **Yan Du**, Zhongshan (CN)

(\*\*) Term: **15 Years**

(21) Appl. No.: **29/721,259**

(22) Filed: **Jan. 19, 2020**

(30) **Foreign Application Priority Data**

Dec. 25, 2019 (CN) ..... 201930728294.3

(51) **LOC (13) Cl.** ..... **07-02**

(52) **U.S. Cl.**  
USPC ..... **D7/362**

(58) **Field of Classification Search**  
USPC ..... D7/323, 338, 352, 354, 355, 356, 357, D7/358, 359, 360, 361, 362, 363, 364, D7/365, 366, 367, 402, 407, 409  
CPC .. A21B 3/00; A21B 3/13; A21B 3/131; A21B 3/132; A21B 3/135; A21B 3/136; A21B 3/137; A21B 3/15; A21B 5/00; A21B 5/02; A21B 5/04; A47J 27/00; A47J 36/00; A47J 36/02; A47J 36/06; A47J 36/16; A47J 36/24; A47J 36/022; A47J 36/027; A47J 37/00; A47J 37/01; A47J 37/04; A47J 37/06; A47J 37/10; A47J 37/07; A47J 37/0781; A47J 43/20  
See application file for complete search history.

(56) **References Cited**

**U.S. PATENT DOCUMENTS**

2,466,349 A \* 4/1949 Anderson ..... F24C 15/32 99/340  
D168,905 S \* 2/1953 O'Connell ..... D7/355  
2,694,999 A \* 11/1954 Sullivan ..... H05B 1/0213 116/298  
D340,614 S \* 10/1993 Kaeding ..... D7/354

D525,819 S \* 8/2006 Chung ..... D7/337  
D542,592 S \* 5/2007 Lubowicki ..... D7/362  
D610,861 S \* 3/2010 Chung ..... D7/337  
D726,494 S \* 4/2015 Mazoyer ..... D7/362  
9,060,640 B2 \* 6/2015 Barrows ..... A47J 37/105  
D763,034 S \* 8/2016 Berge ..... D7/362  
D811,797 S \* 3/2018 Mansueto ..... D7/337

(Continued)

**OTHER PUBLICATIONS**

Nesco 18 Qt. Professional Roaster Oven, announced Jan. 8, 2012 [online], retrieved Nov. 6, 2020, retrieved from internet, [https://www.wayfair.com/Nesco--Nesco-18-Qt.-Professional-Roaster-Oven-4818-L819-K~NSO1021.html?refid=GX107983236626-NSO1021\\_36901902&device=c&ptid=848611604365&network=g&targetid=pla-84861](https://www.wayfair.com/Nesco--Nesco-18-Qt.-Professional-Roaster-Oven-4818-L819-K~NSO1021.html?refid=GX107983236626-NSO1021_36901902&device=c&ptid=848611604365&network=g&targetid=pla-84861).\*

(Continued)

*Primary Examiner* — Dana K Weiland  
*Assistant Examiner* — Messina L Smith

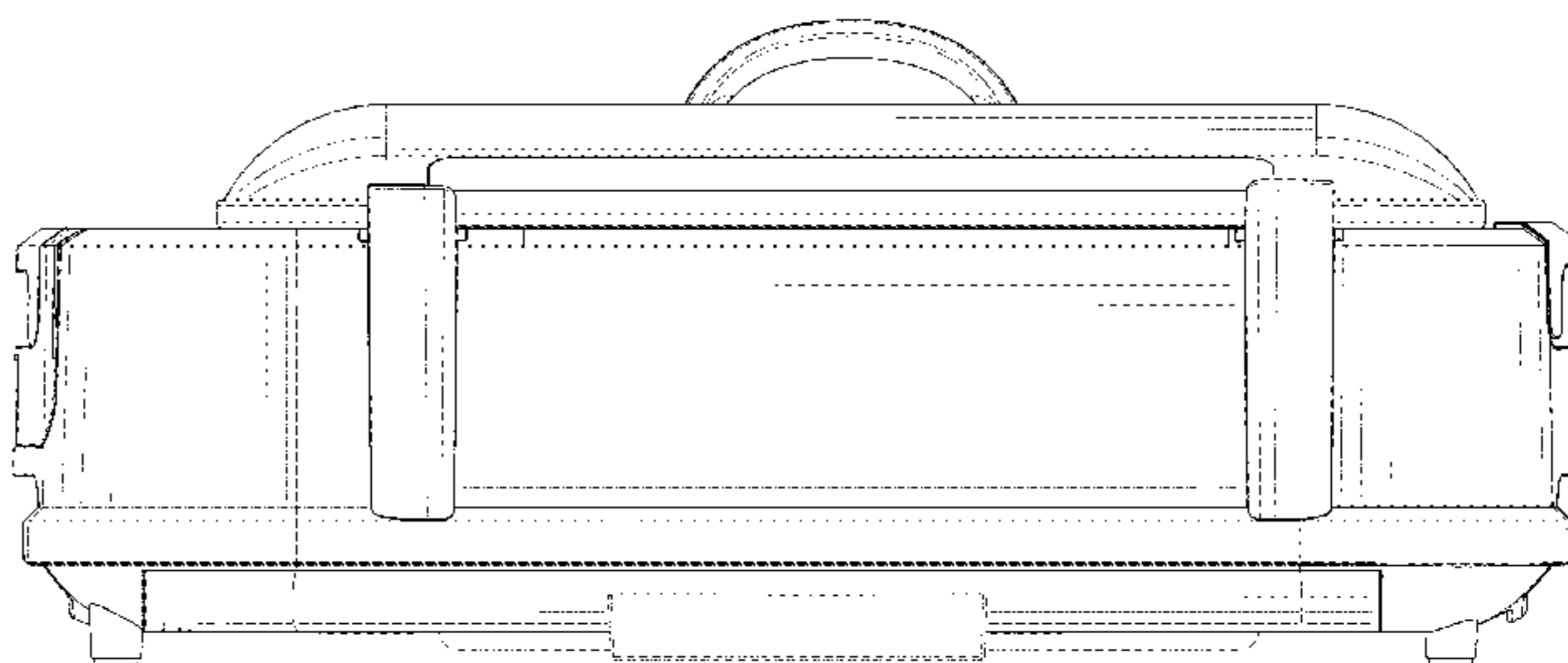
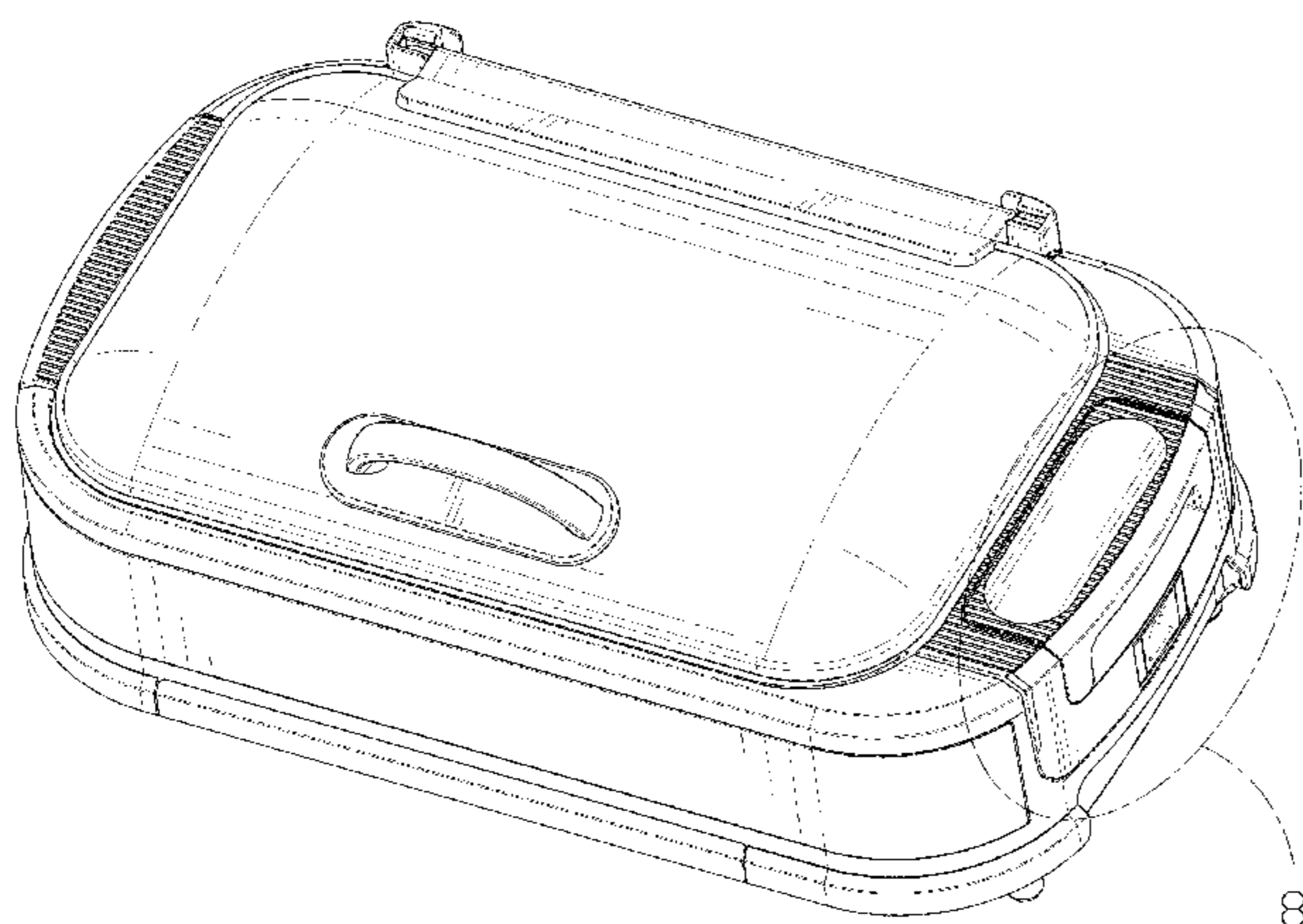
(57) **CLAIM**

The ornamental design for a roasting tray, as shown and described.

**DESCRIPTION**

FIG. 1 is a front, top perspective view of a roasting tray, showing my new design;  
FIG. 2 is a rear elevational view thereof;  
FIG. 3 is a front elevational view thereof;  
FIG. 4 is a left side elevational view thereof;  
FIG. 5 is a right side elevational view thereof;  
FIG. 6 is a top plan view thereof;  
FIG. 7 is a bottom plan view thereof; and,  
FIG. 8 is an enlarged view of a portion indicated in FIG. 1. The broken lines in the figures illustrate portions of the roasting tray that form no part of the claimed design. The dash dot dash lines in FIGS. 1 and 8 are for the purpose of depicting the cut line of the enlarged view and form no part of the claim.

**1 Claim, 8 Drawing Sheets**



(56)

**References Cited**

U.S. PATENT DOCUMENTS

D814,225	S	*	4/2018	Chang	.....	D7/334
D835,451	S	*	12/2018	Berge	.....	D7/360
D845,072	S	*	4/2019	Colston	.....	D7/402
D866,240	S	*	11/2019	Glucksman	.....	D7/354
D897,142	S	*	9/2020	Huang	.....	D7/339
2006/0054615	A1	*	3/2006	Tidey	.....	A47J 37/0629 219/429

OTHER PUBLICATIONS

Daewoo Electric Oven, announced © 2009-2020 [online], retrieved Nov. 6, 2020, retrieved from internet, <https://www.yoycart.com/Product/607874946171/>.\*

Oster 22-qt. Electric Roaster Oven, announced 2017 [online], retrieved Nov. 6, 2020, retrieved from internet, <https://www.kohls.com/product/prd-2204521/oster-22-qt-electric-roaster.jsp>.\*

Tablecraft CW40162 Two-Thirds Size Electric Chafer, announced © 2001-2020 [online], retrieved Nov. 6, 2020, retrieved from internet, <https://www.katom.com/229-CW40162.html>.\*

Proctor Silex 18-Quart Commercial Roaster Oven, no announcement date [online], retrieved Nov. 6, 2020, retrieved from internet, <https://www.equippers.com/proctor-silex-18-quart-commercial-roaster-oven-warmer-with-removable-pan/32918.asp>.\*

\* cited by examiner



FIG. 1

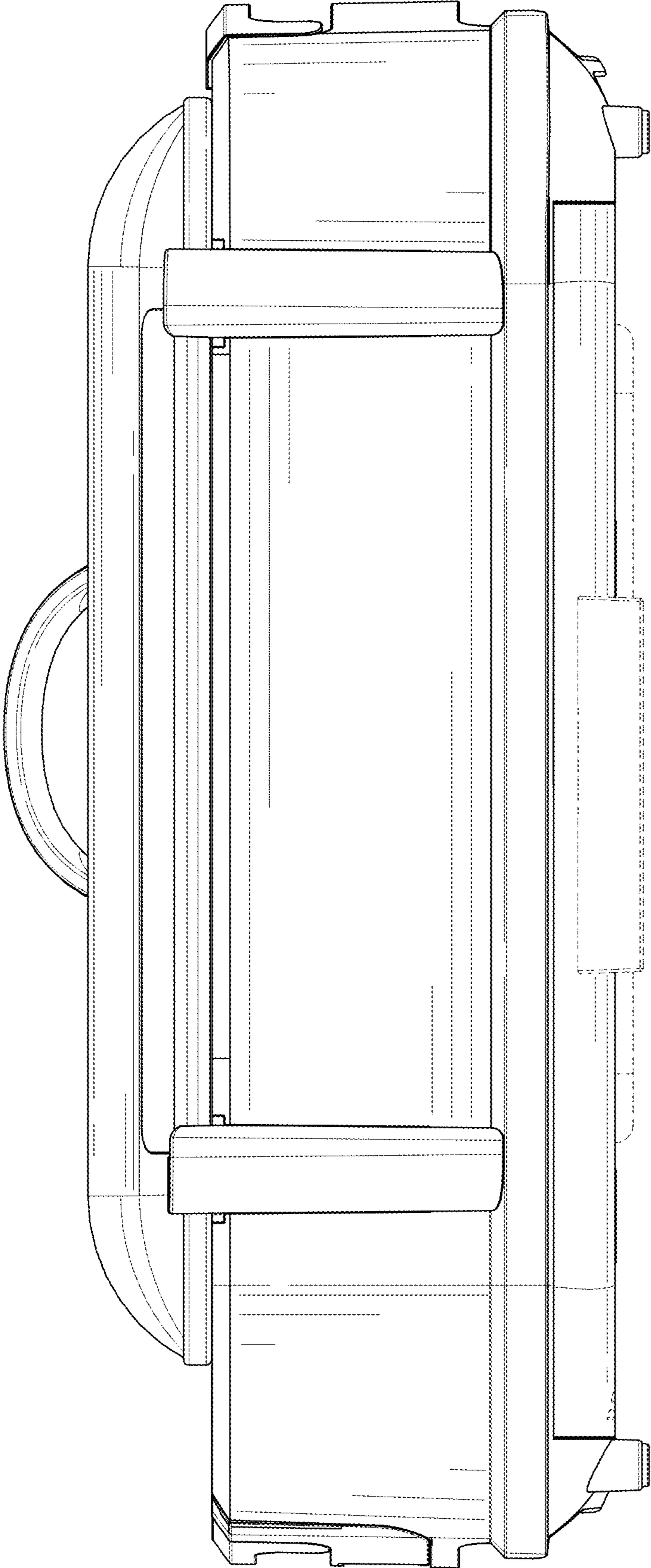


FIG. 2

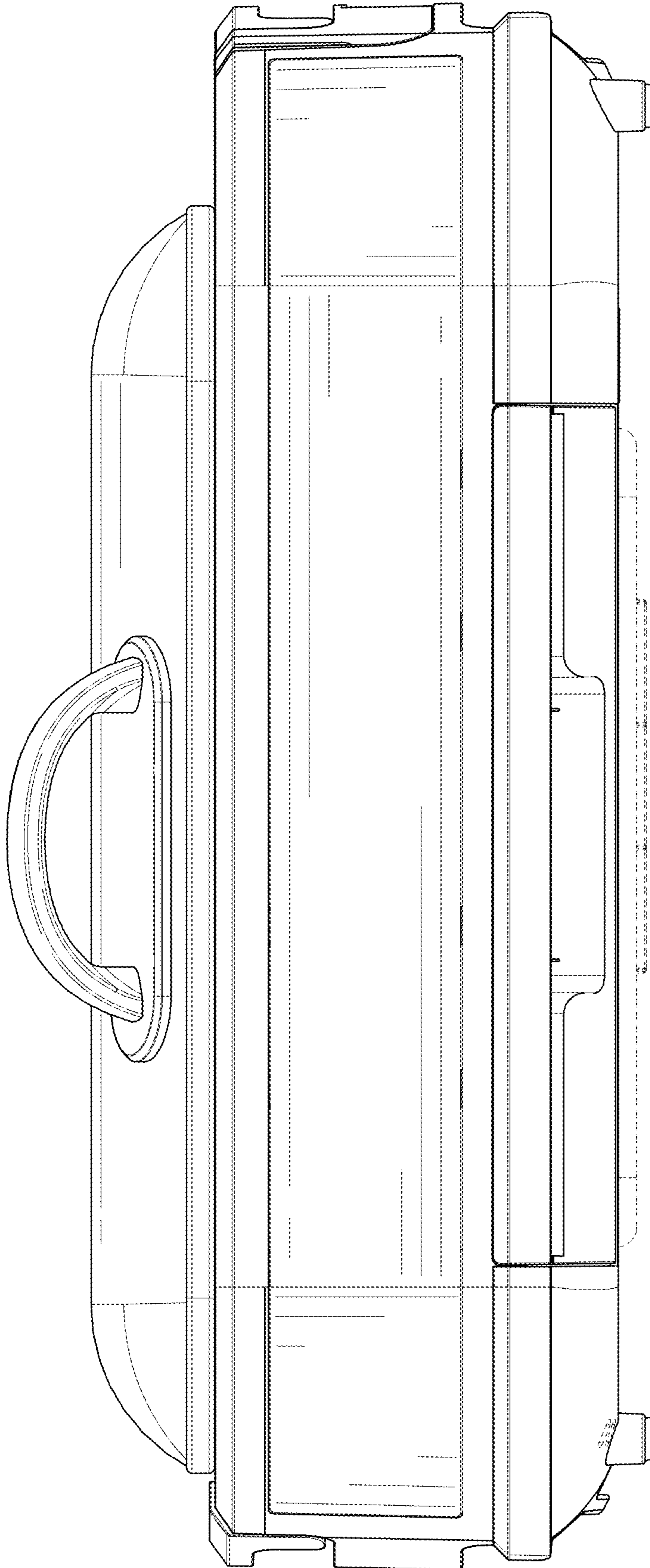


FIG. 3

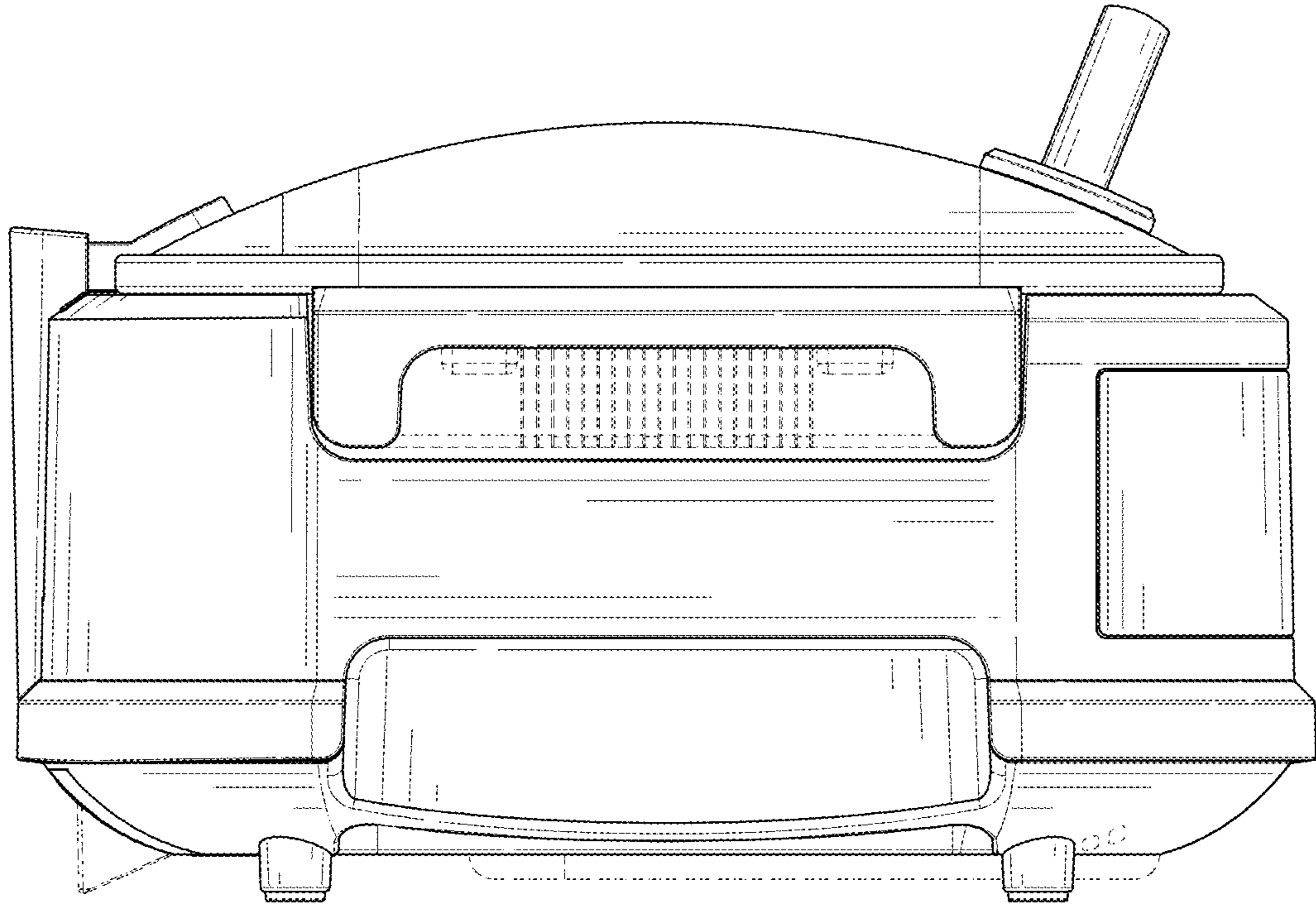


FIG. 4

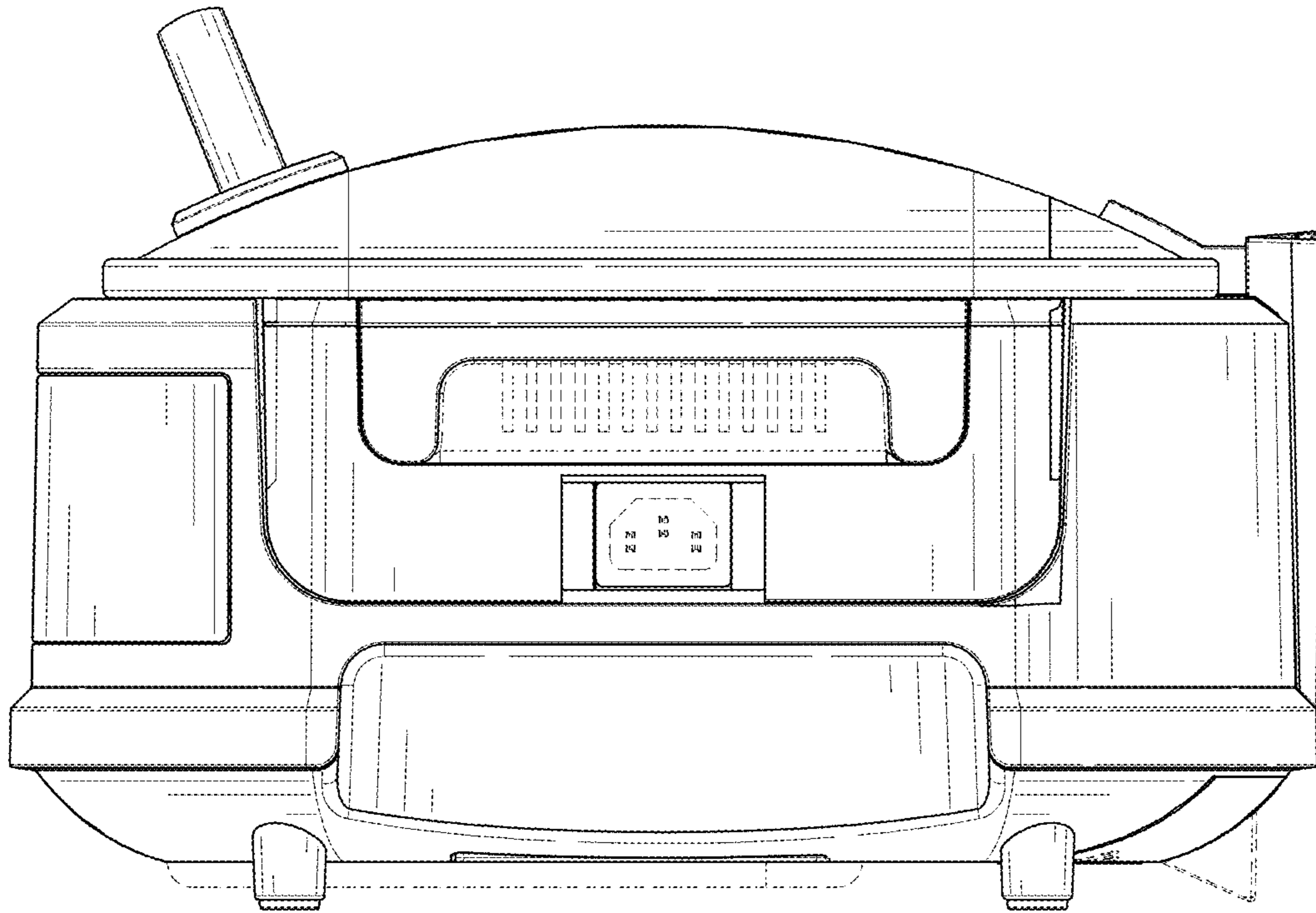


FIG. 5

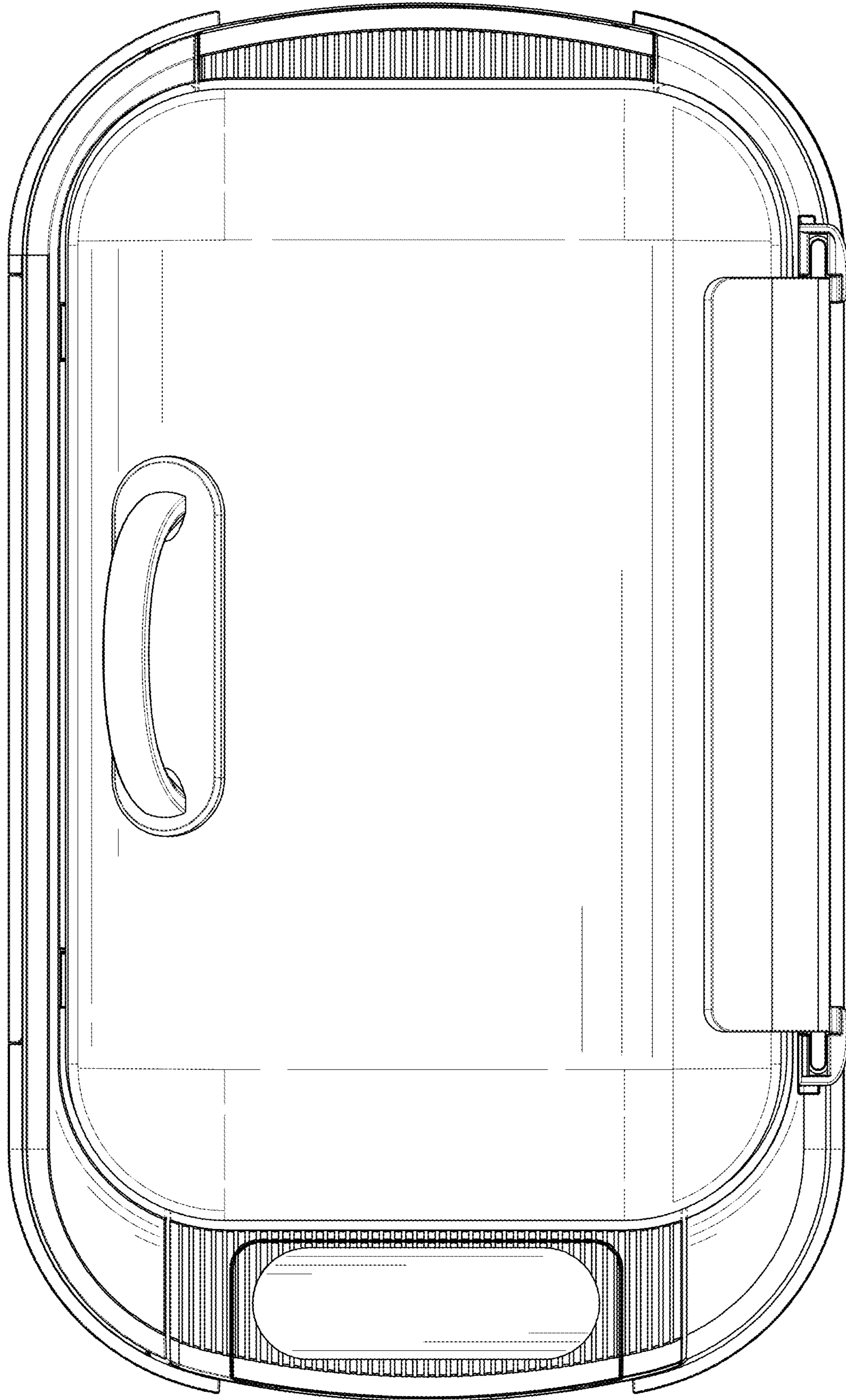


FIG. 6



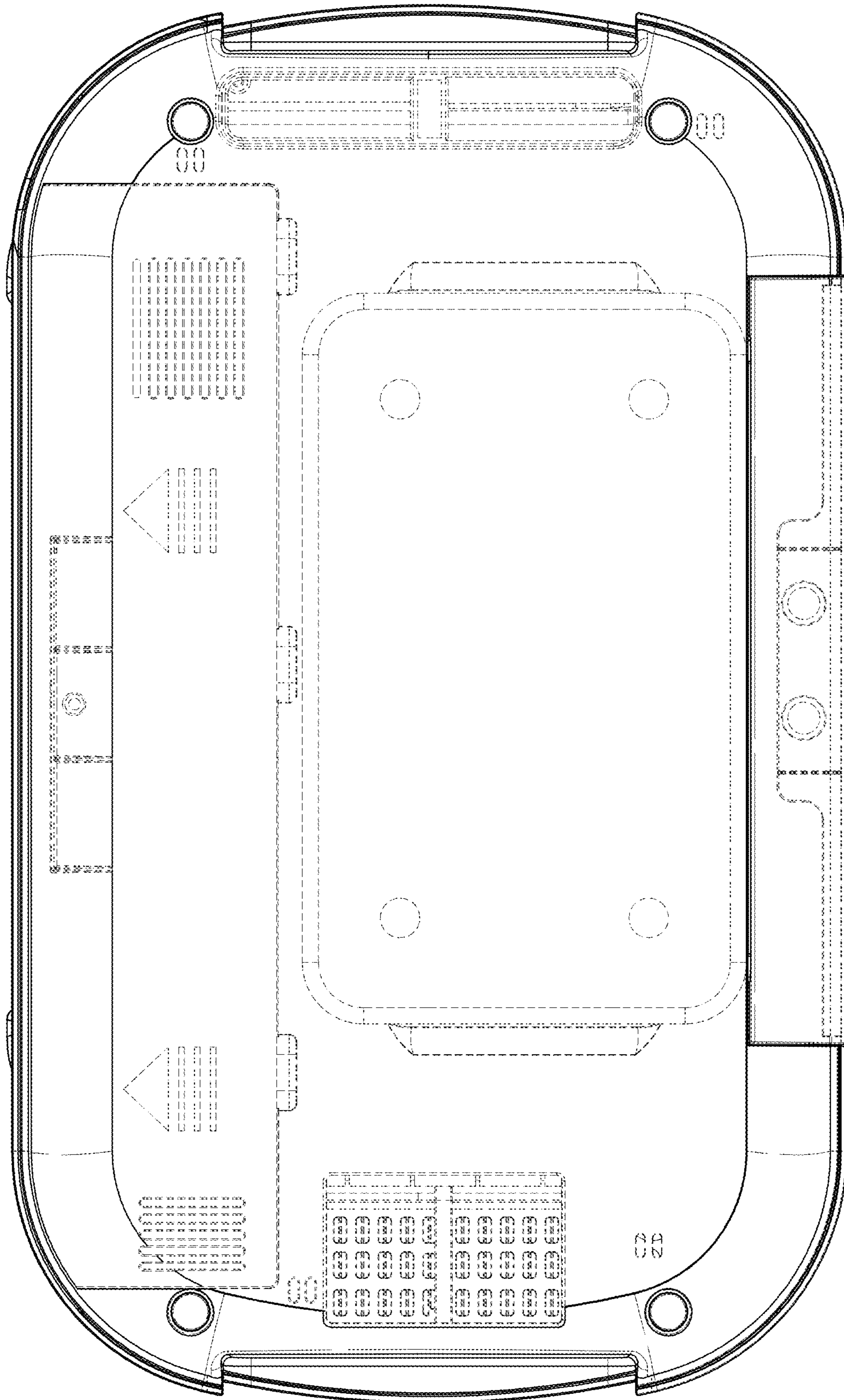


FIG. 7

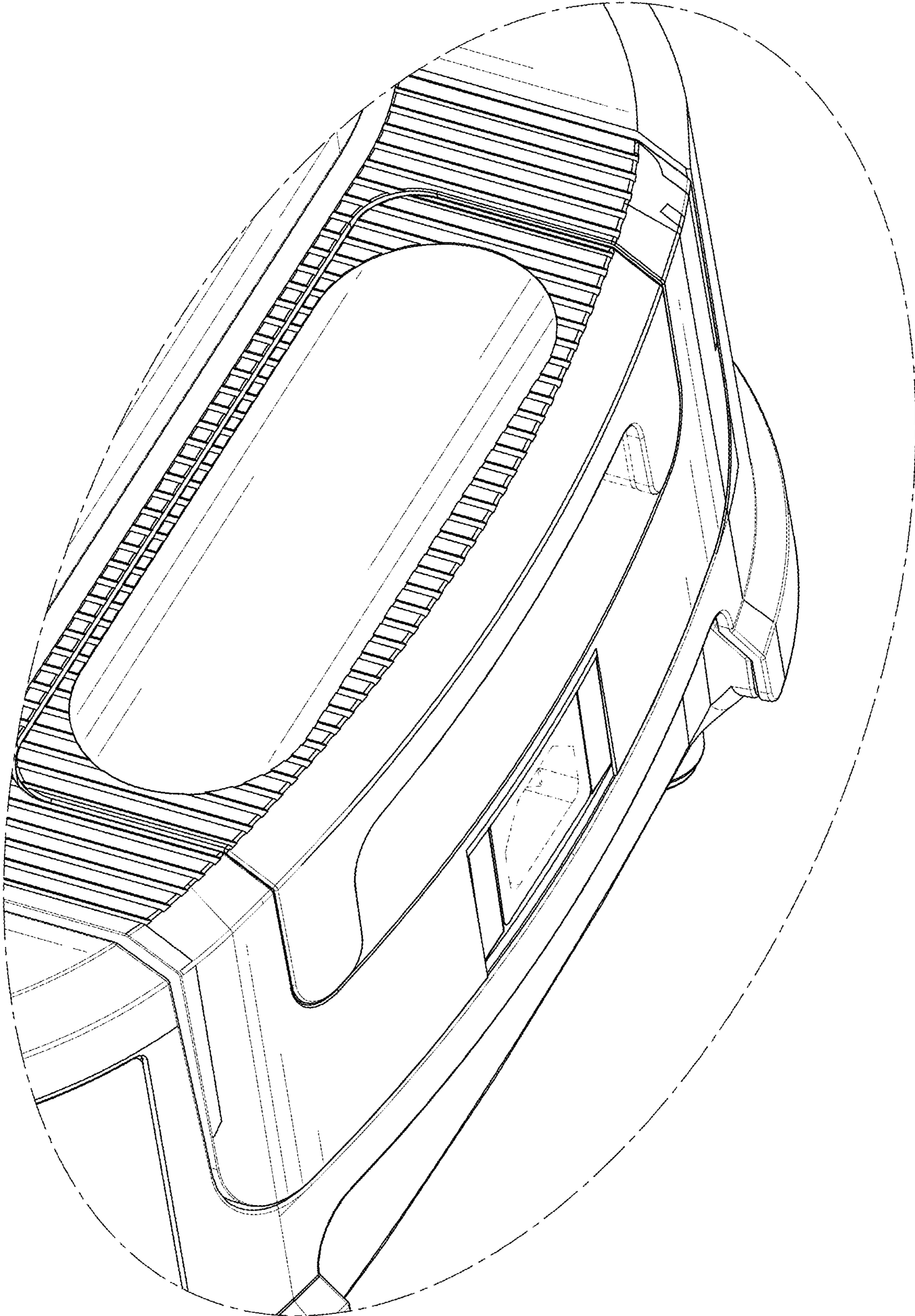


FIG. 8