



US00D926511S

(12) **United States Design Patent** (10) **Patent No.:** **US D926,511 S**  
**Abukashef** (45) **Date of Patent:** **\*\* Aug. 3, 2021**

(54) **TOASTER** 5,632,921 A \* 5/1997 Risman ..... H05B 6/707  
219/750  
(71) Applicant: **Abdalla Abukashef**, Fort Worth, TX D406,812 S \* 3/1999 Nagele ..... D13/108  
(US) D412,456 S \* 8/1999 Uehara ..... D10/47  
6,116,150 A \* 9/2000 Greenfield, Jr. .... A47J 37/08  
219/492  
(72) Inventor: **Abdalla Abukashef**, Fort Worth, TX 6,205,911 B1 \* 3/2001 Ochoa ..... A47J 37/08  
(US) 99/331  
D442,423 S \* 5/2001 Monard ..... D7/350.4  
(\*\*) Term: **15 Years** (Continued)

(21) Appl. No.: **29/700,350**  
(22) Filed: **Aug. 1, 2019**

**Related U.S. Application Data**

(63) Continuation-in-part of application No. 16/454,997, filed on Jun. 27, 2019, which is a continuation-in-part of application No. 15/867,618, filed on Jan. 10, 2018, now abandoned.  
(51) **LOC (13) Cl.** ..... **07-02**  
(52) **U.S. Cl.**  
USPC ..... **D7/350.1**  
(58) **Field of Classification Search**  
USPC ..... D7/323, 328, 329, 330, 332, 334, 337, D7/339, 347, 348, 349, 350.1, 350.2, D7/350.3, 350.4, 351, 402, 405; D14/314, 496, 498, 500, 503, 504, 506; D24/216, 219, 232  
CPC ..... A47J 37/00; A47J 37/206; A47J 37/0605; A47J 37/0623; A47J 37/0629; A47J 37/0641; A47J 37/0647; A47J 37/0664; A47J 37/0658; A47J 37/067; A47J 37/07; A47J 37/08; A47J 37/0807  
See application file for complete search history.

(56) **References Cited**

**U.S. PATENT DOCUMENTS**

D211,466 S \* 6/1968 Gulotta ..... D24/219  
D245,162 S \* 7/1977 Zimmer ..... A47J 37/0629  
D7/350.4

**OTHER PUBLICATIONS**

Electric Arabic Persian Middle Eastern Pita Bread Maker, first available Apr. 3, 2018, Amazon, [online], [site visited Mar. 17, 2021], Available from internet URL: <https://www.amazon.com/Electric-Persian-Eastern-Toaster-Tortilla/dp/B07CB8M84N> (Year: 2018).\*

(Continued)

*Primary Examiner* — Jeffrey D Asch  
*Assistant Examiner* — Natalya M Rapundalo

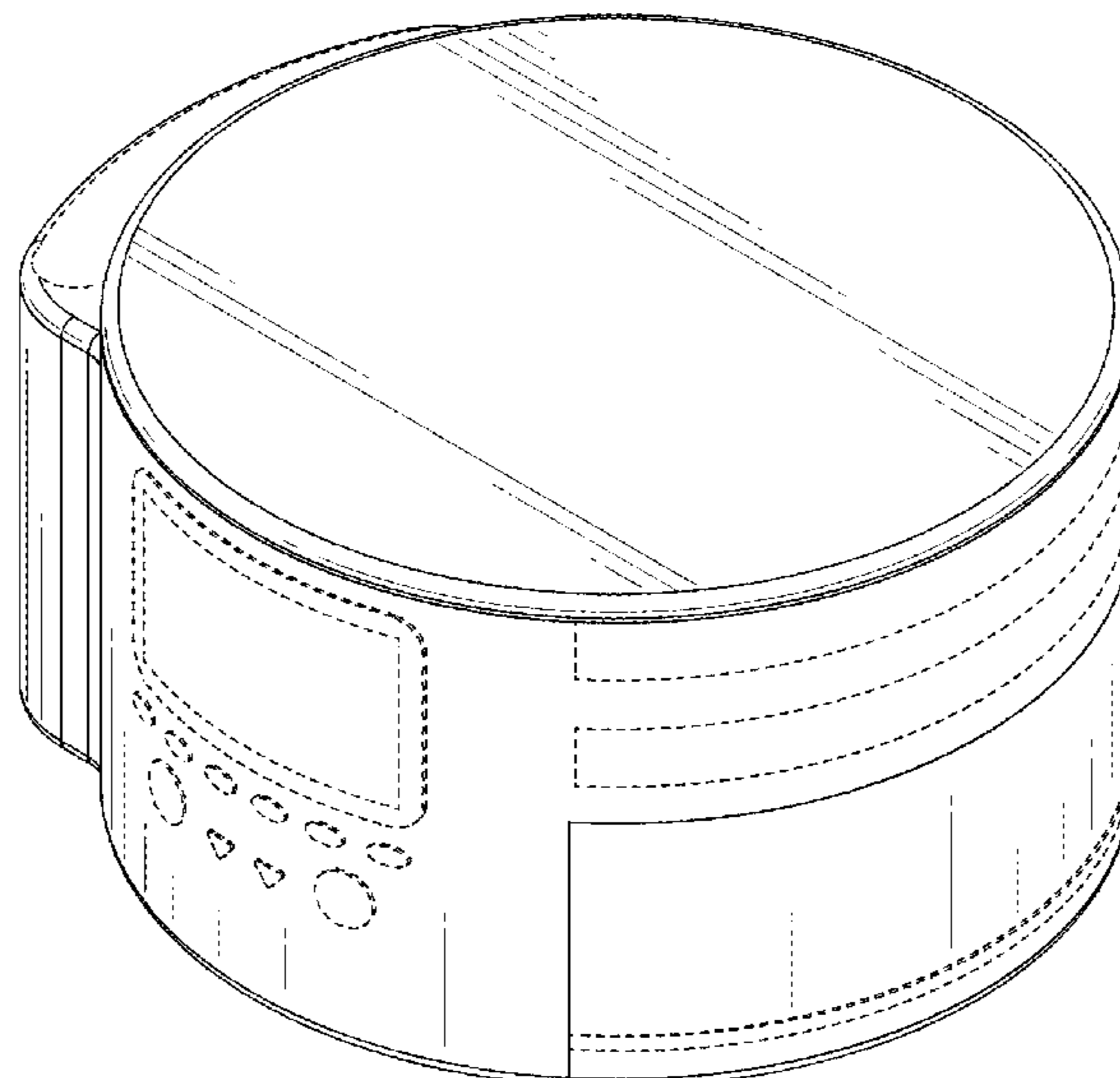
(57) **CLAIM**

The ornamental design for a toaster, as shown and described.

**DESCRIPTION**

FIG. 1 is a front-top perspective view of a toaster showing my new design;  
FIG. 2 is a front-bottom perspective view thereof;  
FIG. 3 is a rear-top perspective view thereof;  
FIG. 4 is a rear-bottom perspective view thereof;  
FIG. 5 is a front elevational view thereof;  
FIG. 6 is a rear elevational view thereof;  
FIG. 7 is a left elevational view thereof;  
FIG. 8 is a right elevational view thereof;  
FIG. 9 is a top plan view thereof; and,  
FIG. 10 is a bottom plan view thereof.  
The broken lines show portions of the toaster that form no part of the claimed design.

**1 Claim, 10 Drawing Sheets**





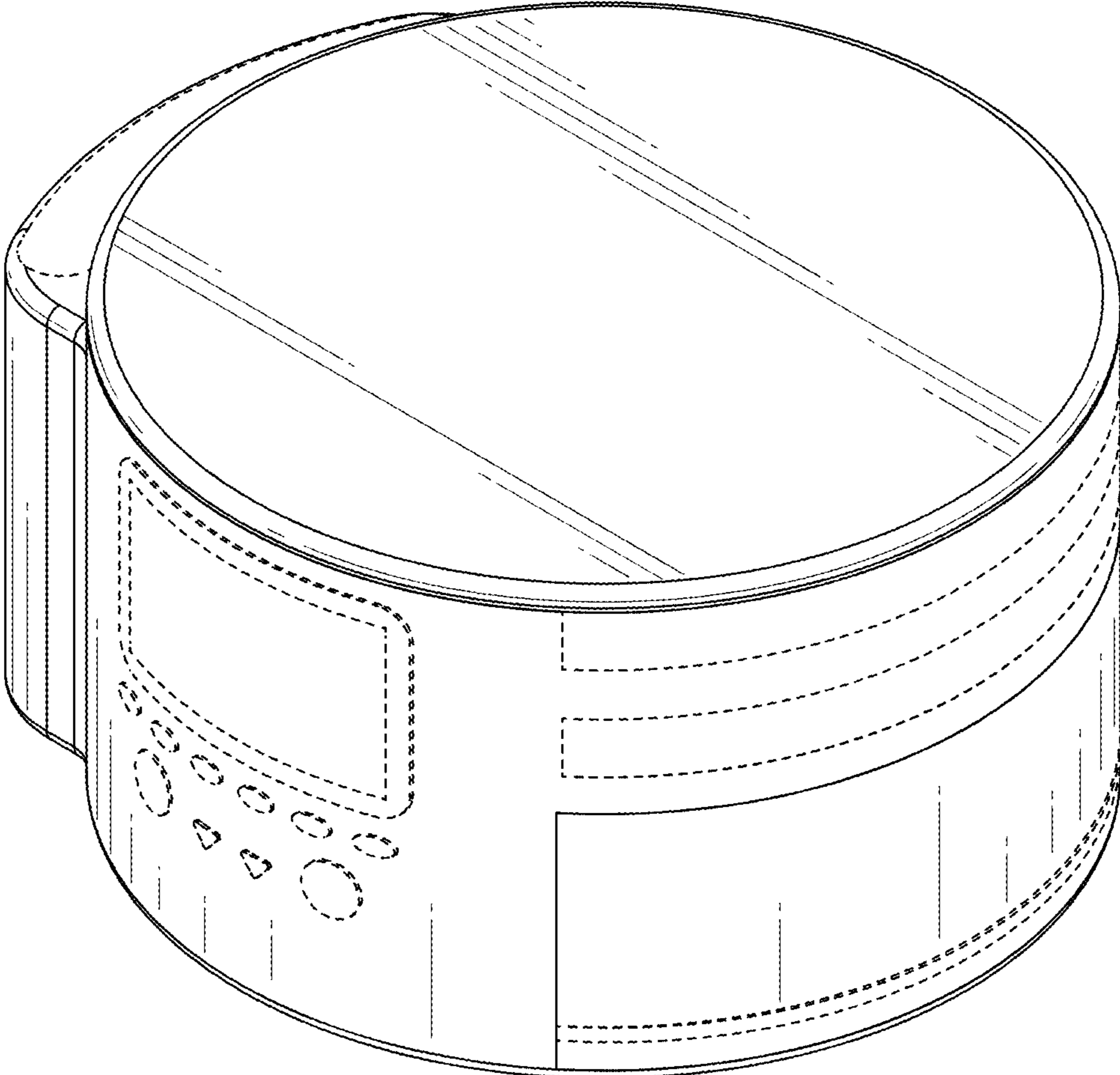


FIG. 1

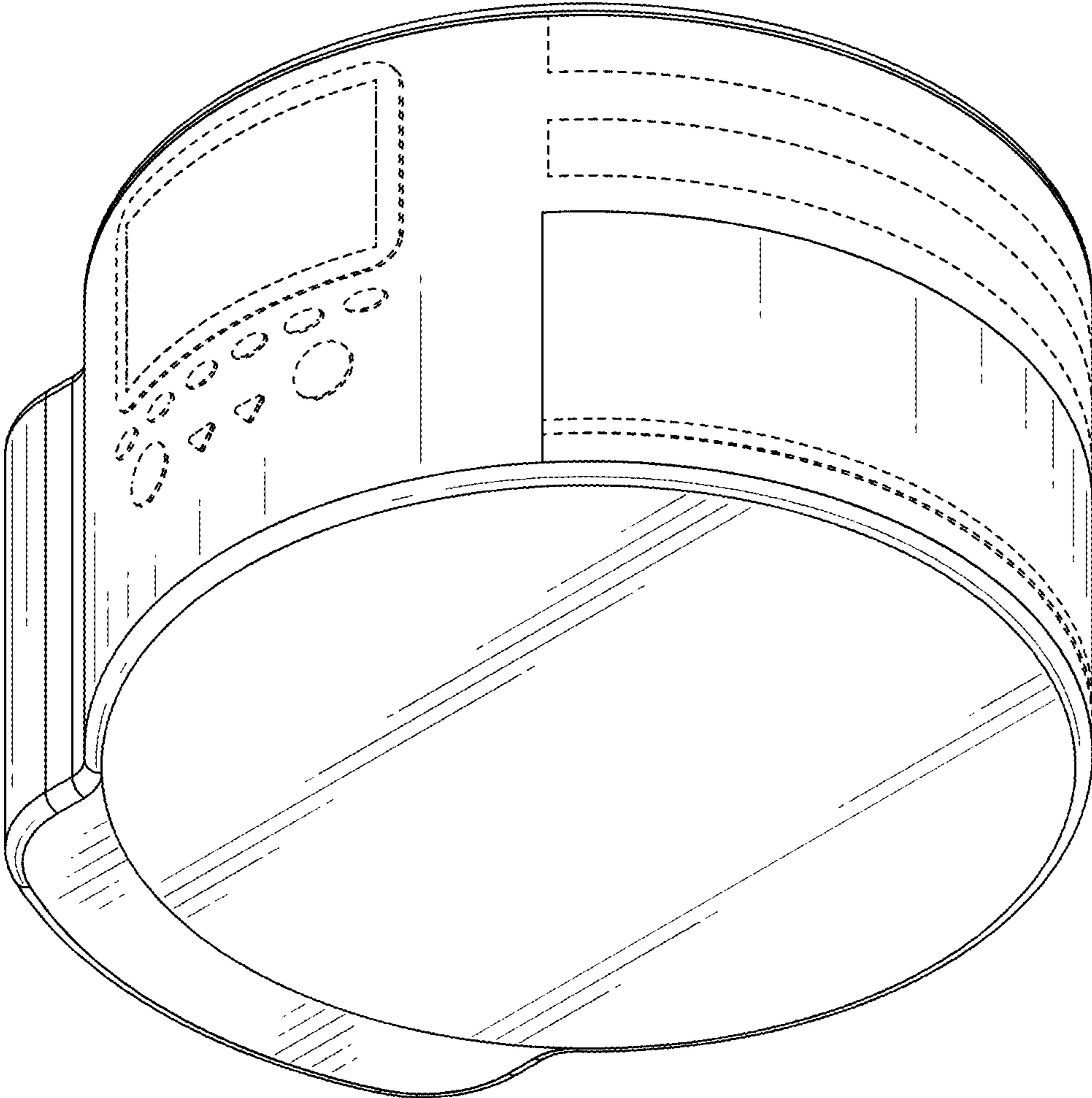


FIG. 2



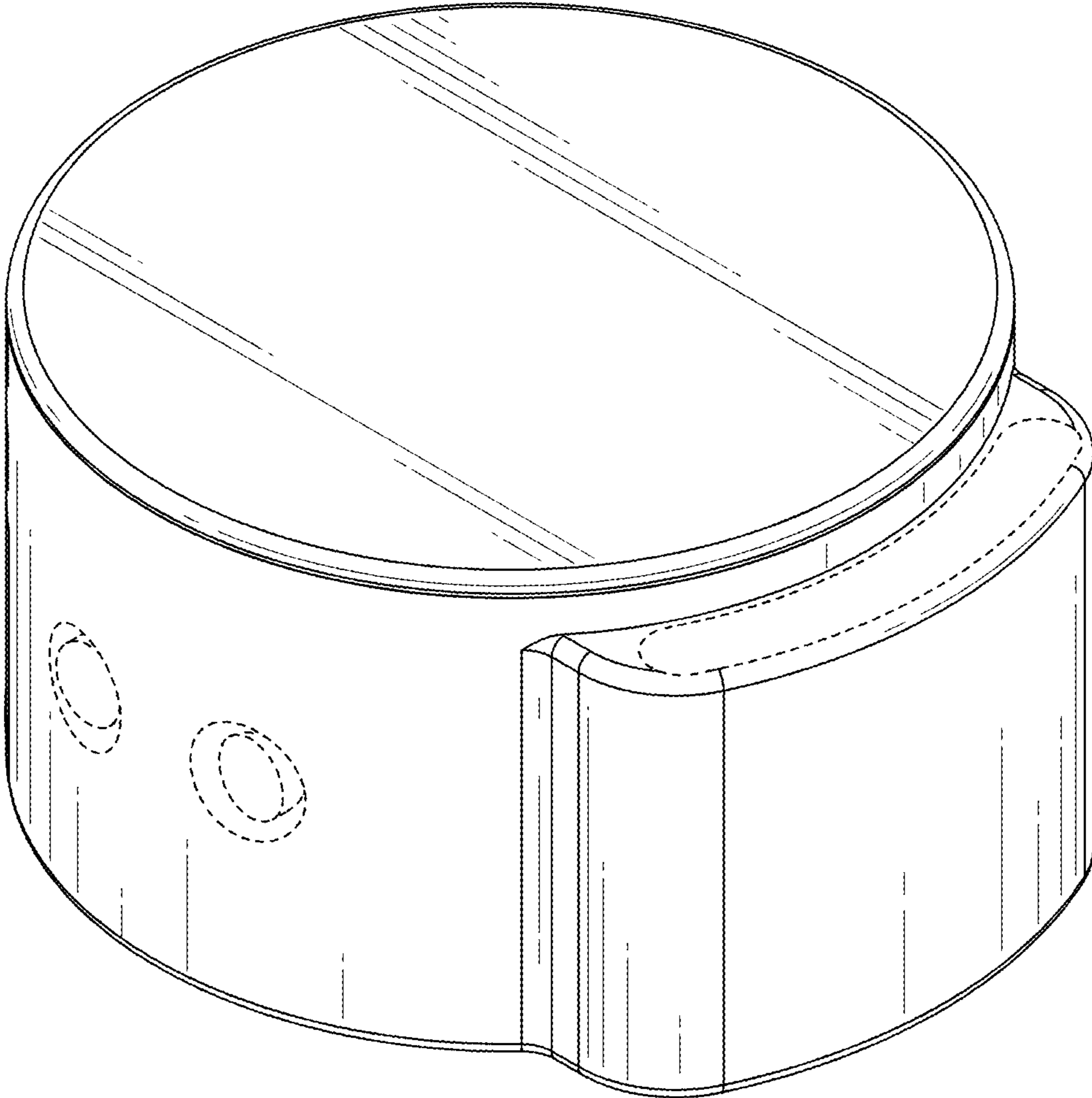


FIG. 3

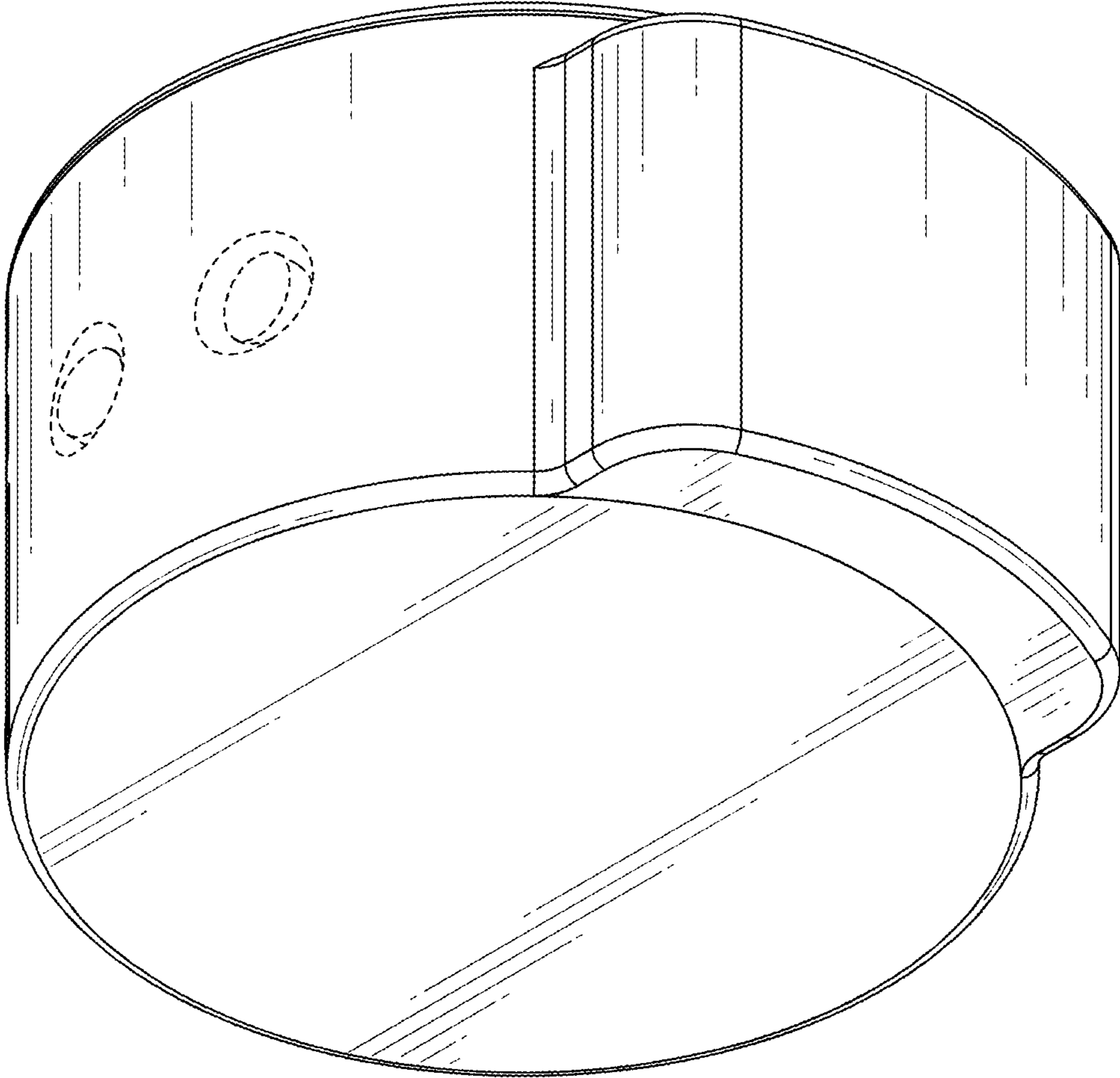


FIG. 4

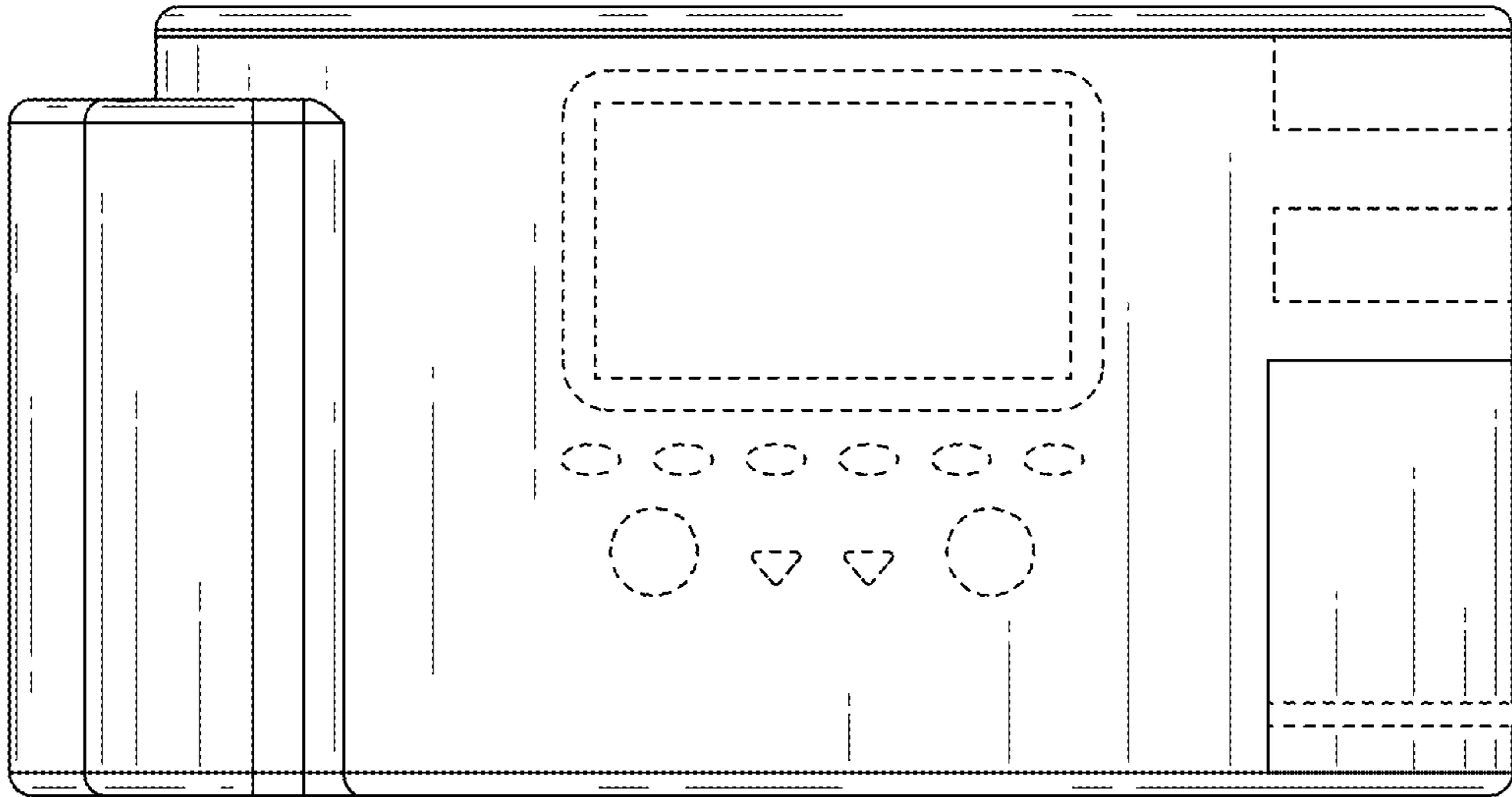


FIG. 5

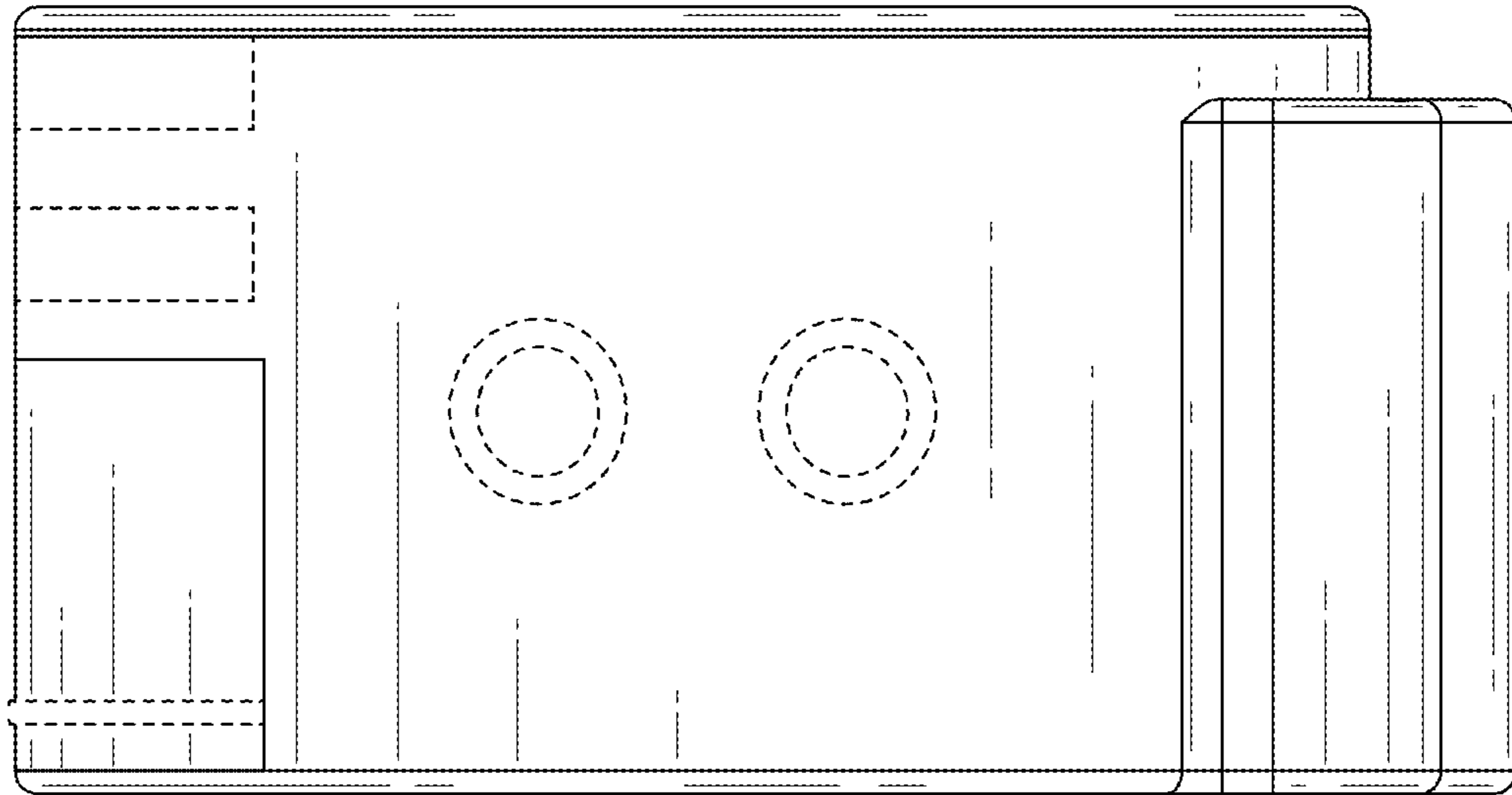


FIG. 6



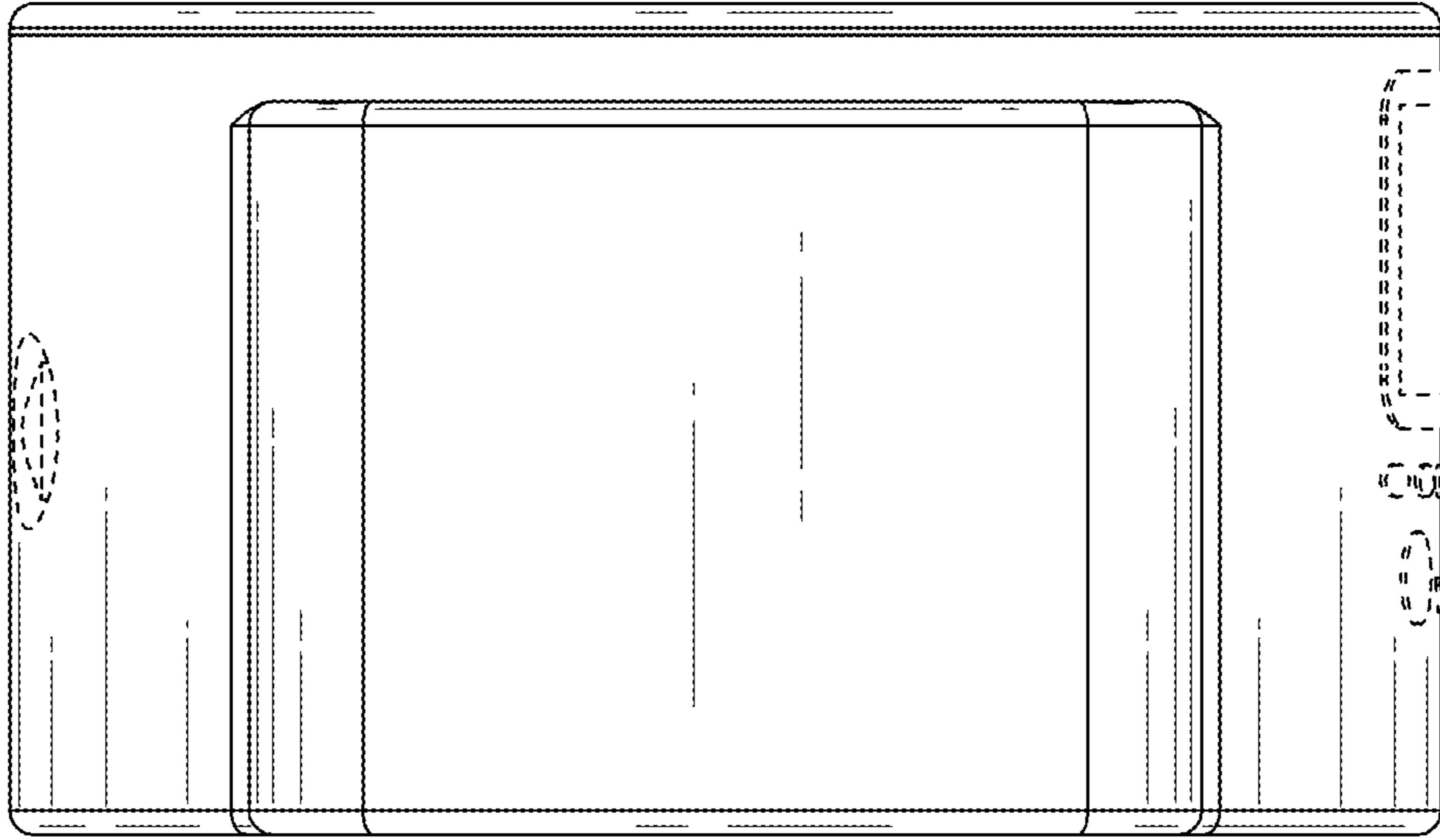


FIG. 7

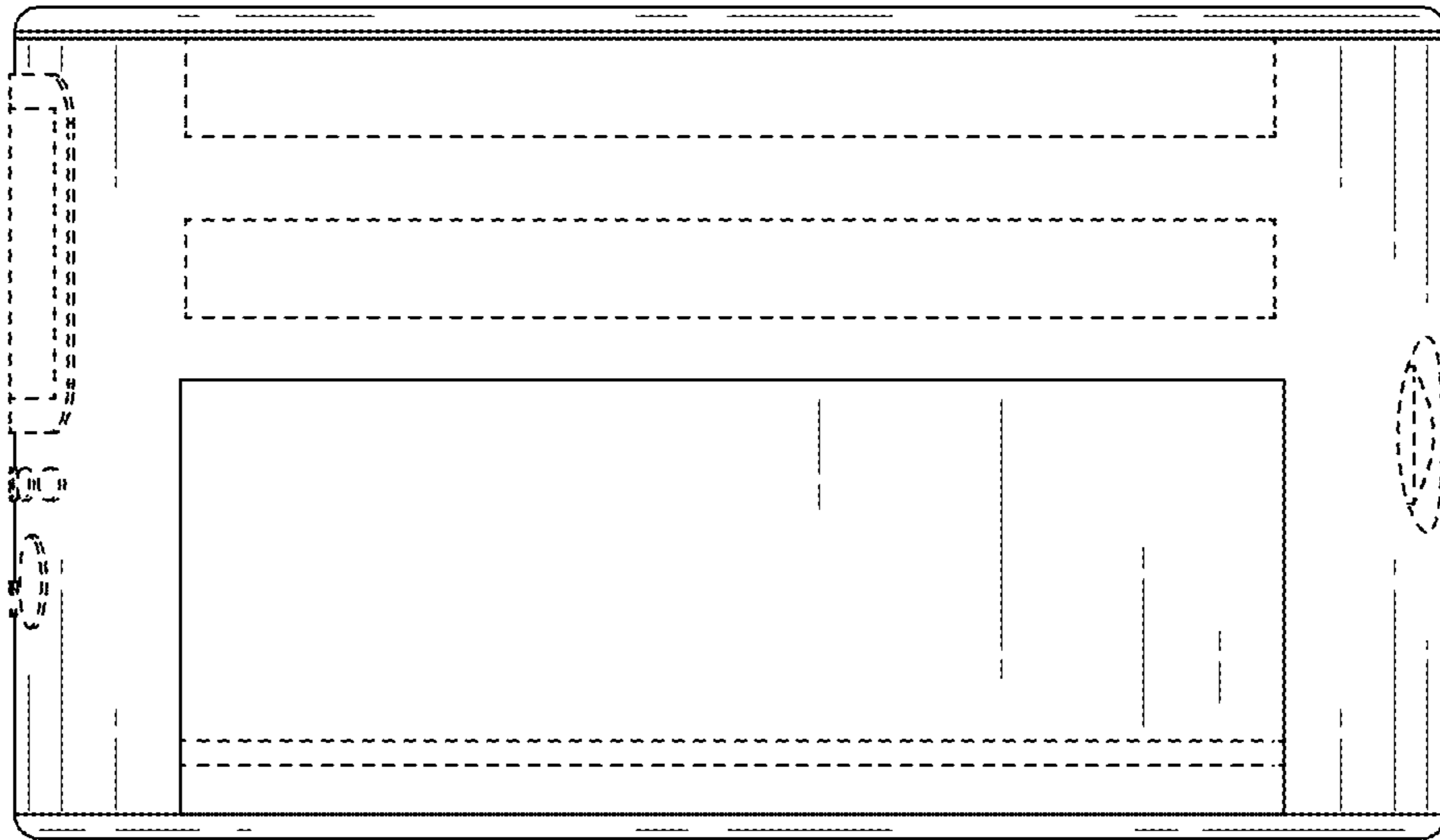


FIG. 8

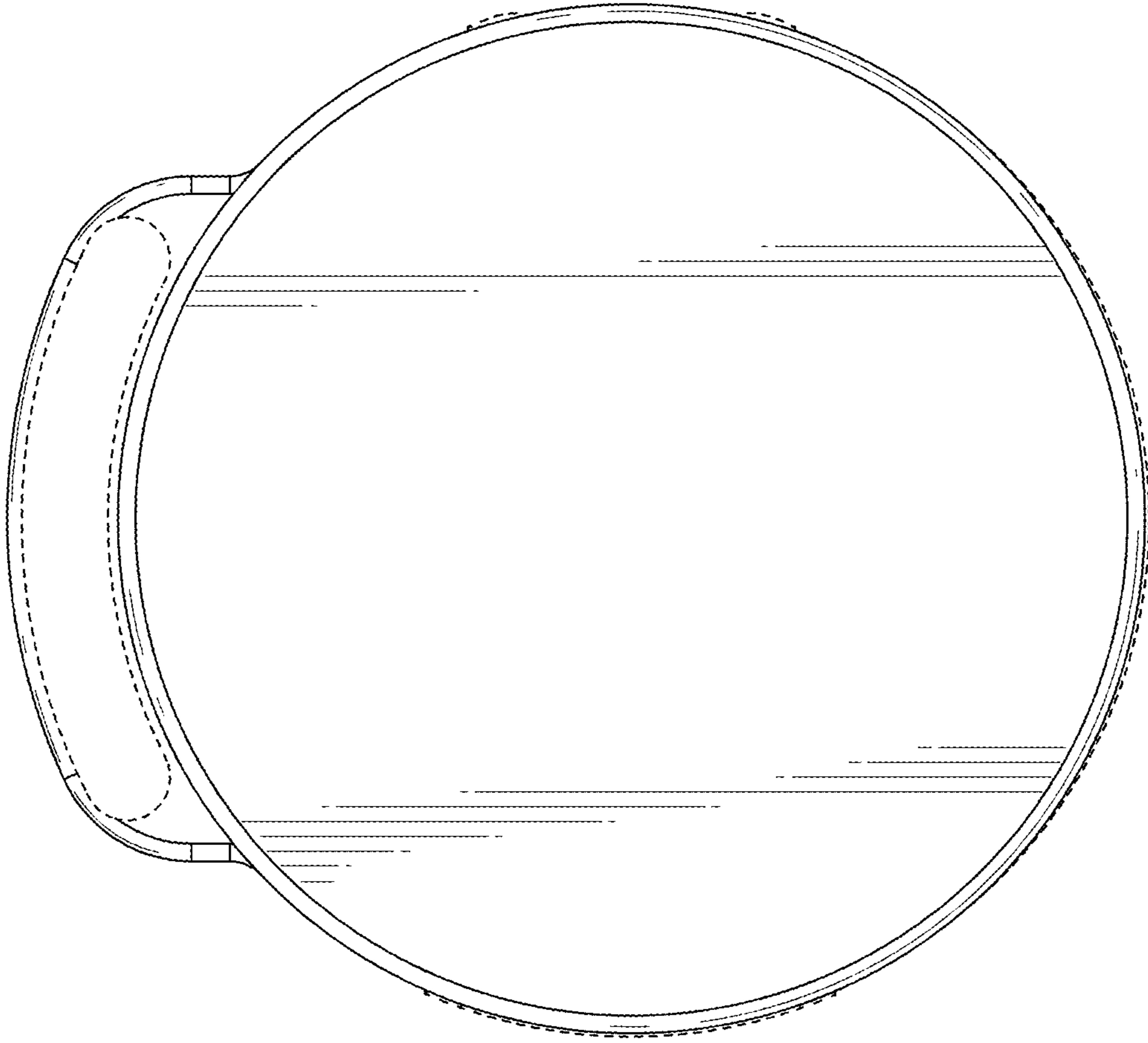


FIG. 9

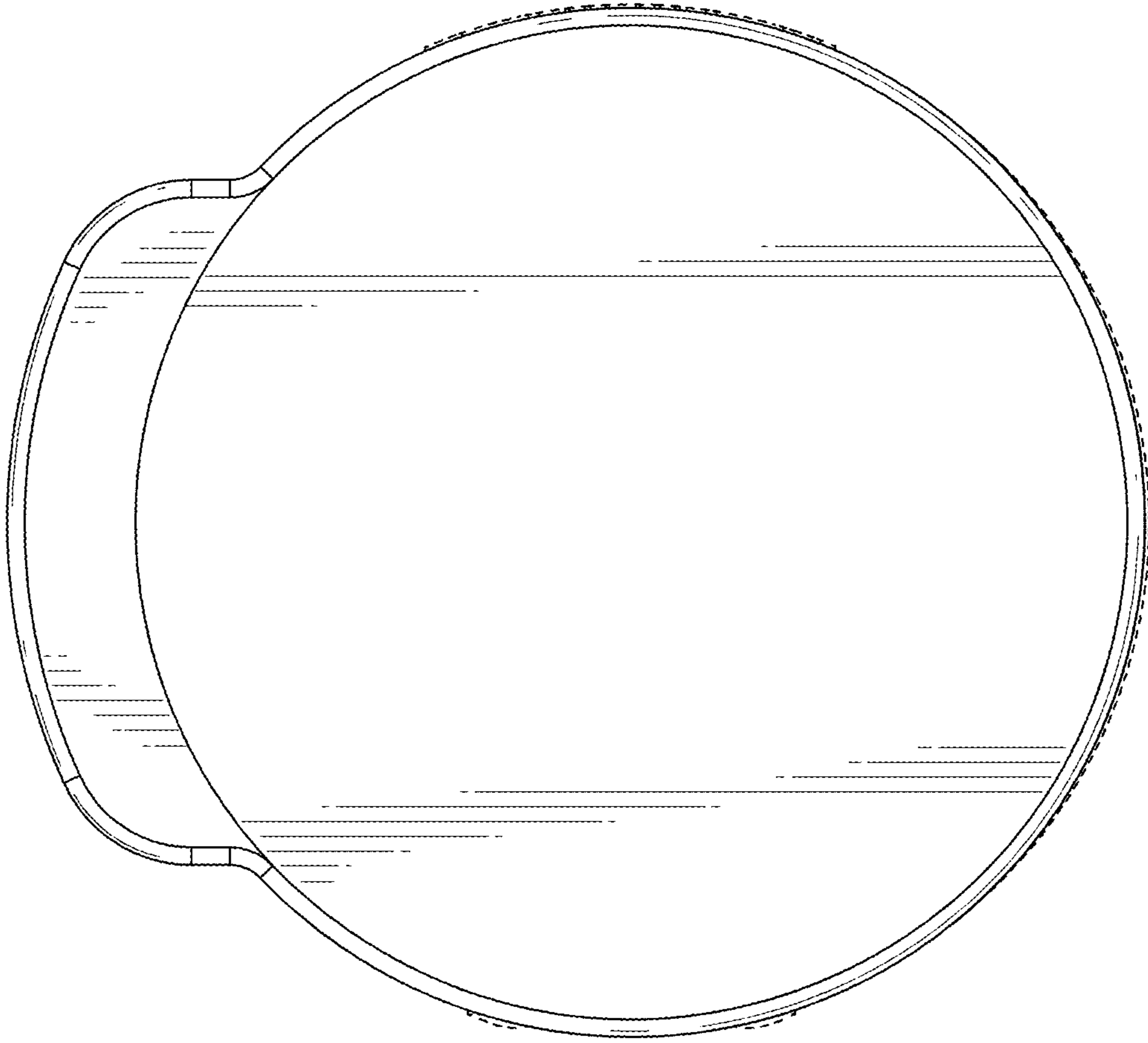


FIG. 10