



US00D926510S

(12) **United States Design Patent**
Chung

(10) **Patent No.:** **US D926,510 S**

(45) **Date of Patent:** **** Aug. 3, 2021**

- (54) **BARBECUE GRILL**
- (71) Applicant: **Kiosky Chung**, Taichung (TW)
- (72) Inventor: **Kiosky Chung**, Taichung (TW)
- (**) Term: **15 Years**
- (21) Appl. No.: **29/688,705**
- (22) Filed: **Apr. 24, 2019**
- (51) **LOC (13) Cl.** **07-02**
- (52) **U.S. Cl.**
USPC **D7/334; D7/363**
- (58) **Field of Classification Search**
USPC D7/332-338, 402-409, 355, 356, 360,
D7/362, 364, 365, 366, 363, 352;
D23/343, 348, 332, 335, 314, 345, 415;
D3/294-296, 276, 905; 126/40
CPC A47J 37/07-0763; A47J 37/0781; A47J
37/0786; A47J 2037/0777; A47J 33/00;
A47J 2201/00; A47J 36/26; F24C 3/14;
F24C 1/16; F24C 5/20; F24B 1/181;
F24B 1/19; F24B 1/195; F24B 1/00;
F24B 1/202-207; F24B 3/00; F23B
20/00; F23D 14/28
See application file for complete search history.

(56) **References Cited**

U.S. PATENT DOCUMENTS

| | | | | | |
|------------|---|---------|--------|-------|--------|
| D378,646 S | * | 4/1997 | Dutro | | D7/332 |
| D449,491 S | * | 10/2001 | Measom | | D7/334 |
| D450,524 S | * | 11/2001 | Measom | | D7/332 |
| D462,562 S | * | 9/2002 | Wood | | D7/332 |
| D473,095 S | * | 4/2003 | Nguyen | | D7/334 |

| | | | | | |
|-----------------|---|---------|--------|-------|------------------------|
| 6,595,198 B2 | * | 7/2003 | Mosher | | F24C 3/14 126/304 A |
| D656,773 S | * | 4/2012 | May | | D7/334 |
| D657,183 S | * | 4/2012 | May | | D7/334 |
| D694,056 S | * | 11/2013 | Dahle | | D7/334 |
| D848,204 S | * | 5/2019 | Chung | | D7/363 |
| D857,439 S | * | 8/2019 | Chung | | D7/334 |
| 2018/0368614 A1 | * | 12/2018 | Rudy | | A47J 37/0786 |
| 2019/0274476 A1 | * | 9/2019 | Dahle | | A47J 37/0704 |
| 2019/0343331 A1 | * | 11/2019 | Dahle | | A47J 37/0713 |
| 2020/0093330 A1 | * | 3/2020 | Dahle | | A47J 37/0786 |

* cited by examiner

Primary Examiner — Brett Miller

(74) *Attorney, Agent, or Firm* — Bruce Stone LLP;
Joseph A. Bruce

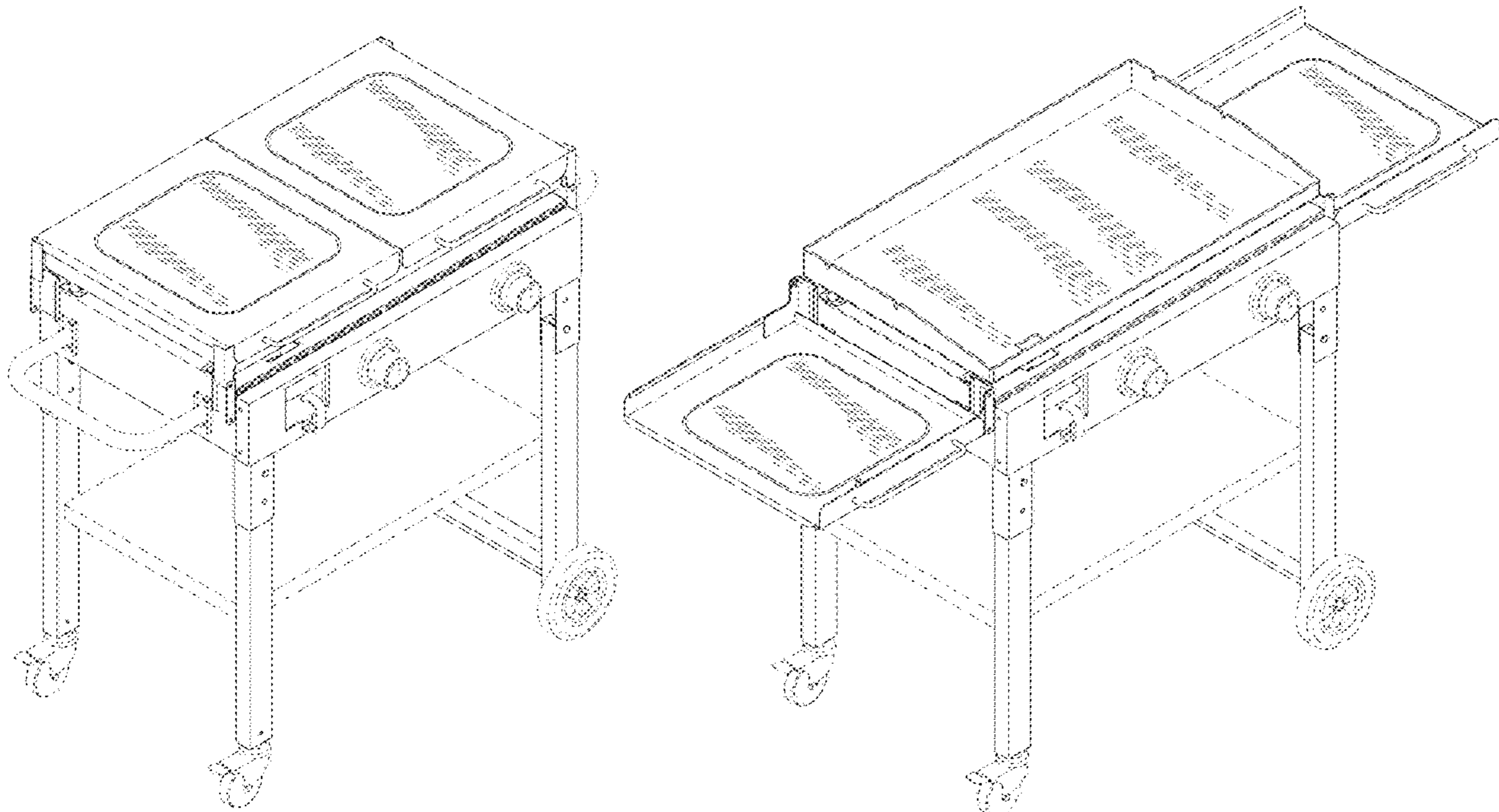
(57) **CLAIM**

The ornamental design for a barbecue grill, as shown and described.

DESCRIPTION

FIG. 1 is a perspective view of a barbecue grill;
 FIG. 2 is a front elevational view;
 FIG. 3 is a rear side view;
 FIG. 4 is a left side view;
 FIG. 5 is a right side view;
 FIG. 6 is a top plan view;
 FIG. 7 is a bottom plan view;
 FIG. 8 is a perspective view with the lid in an opened thereof in use; and,
 FIG. 9 is another perspective view with lid in an opened and the leg in a collapsed position thereof in use.
 The broken lines depict portions of the barbecue grill that form no part of the claimed design.

1 Claim, 9 Drawing Sheets



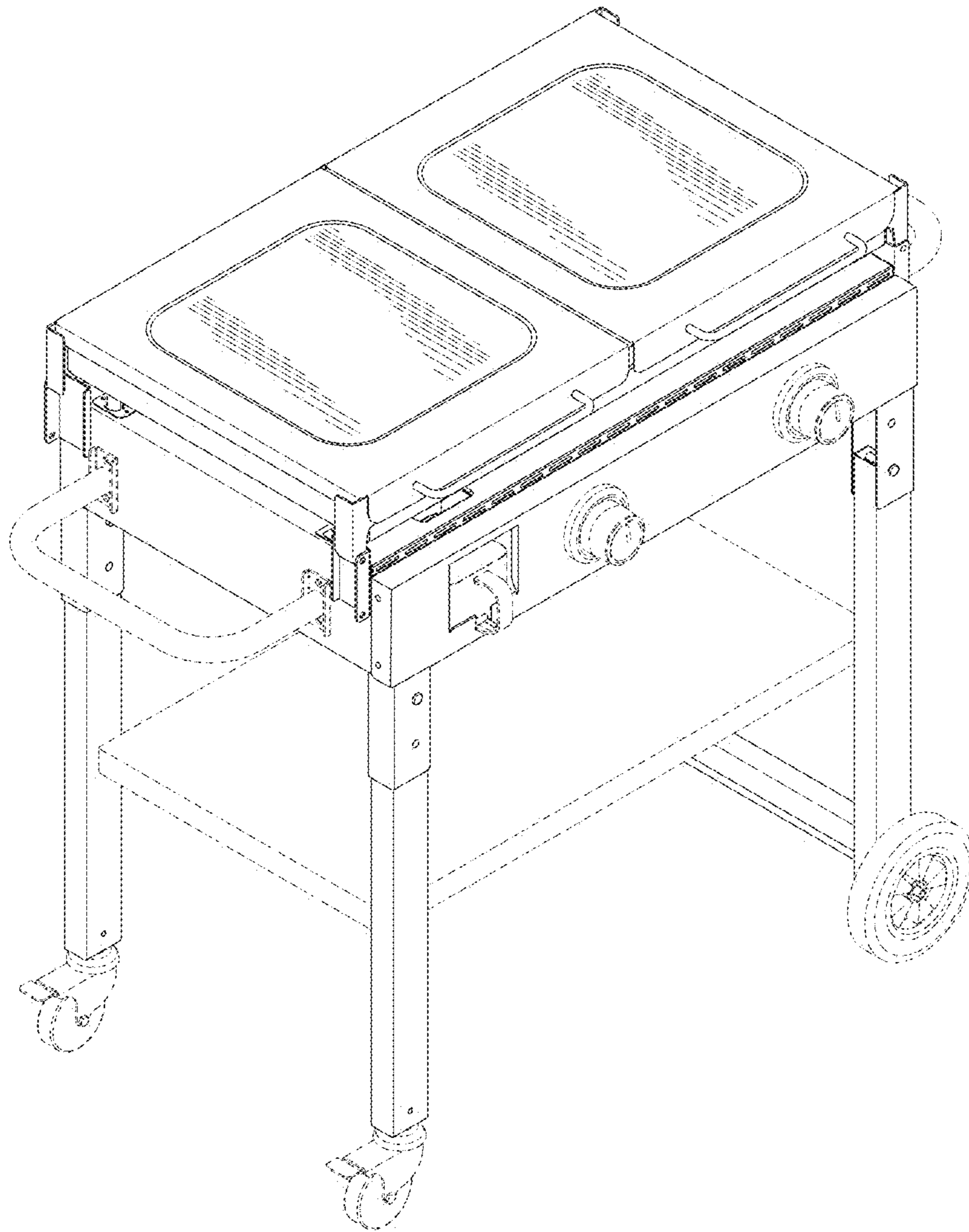


FIG. 1

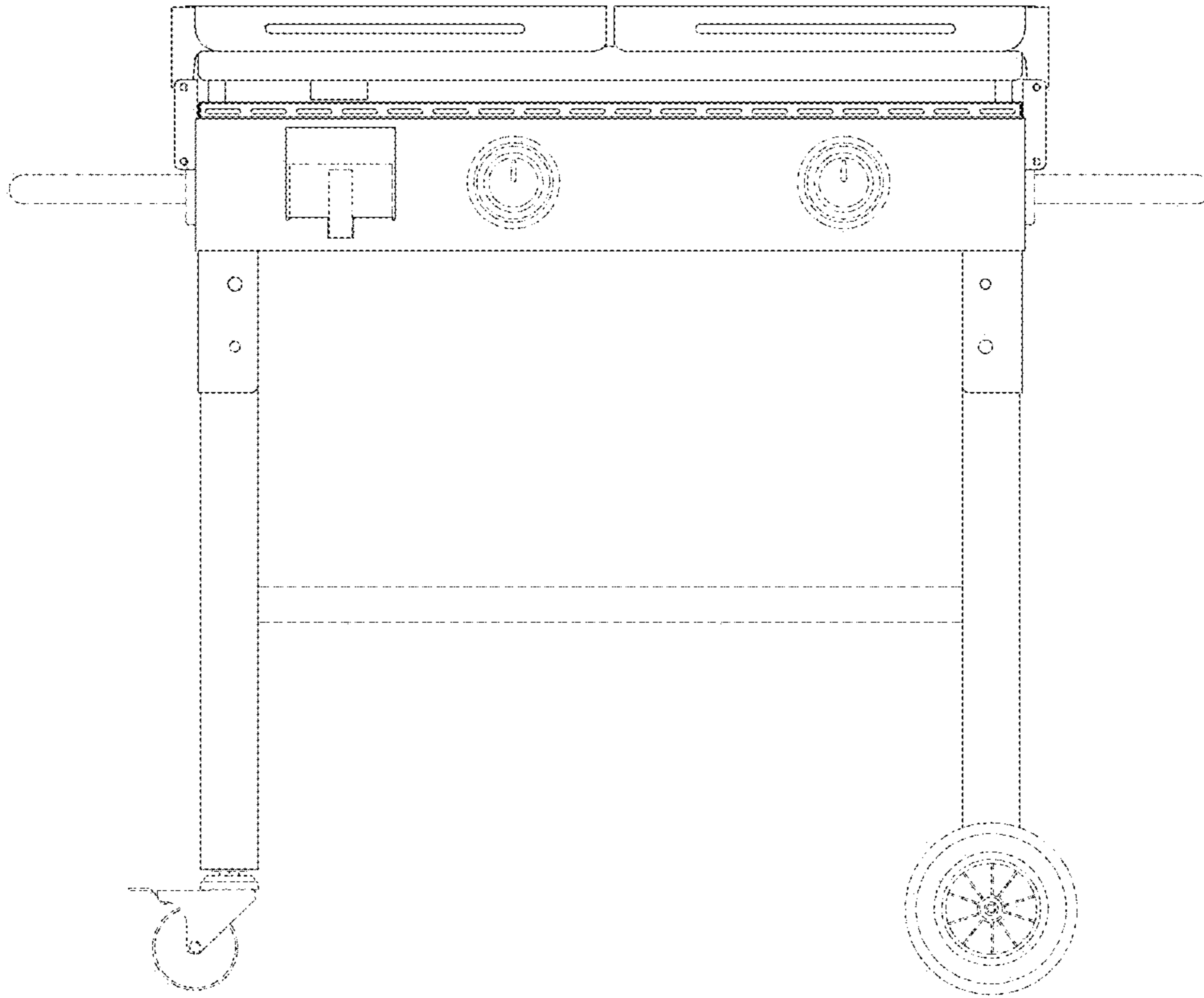


FIG. 2

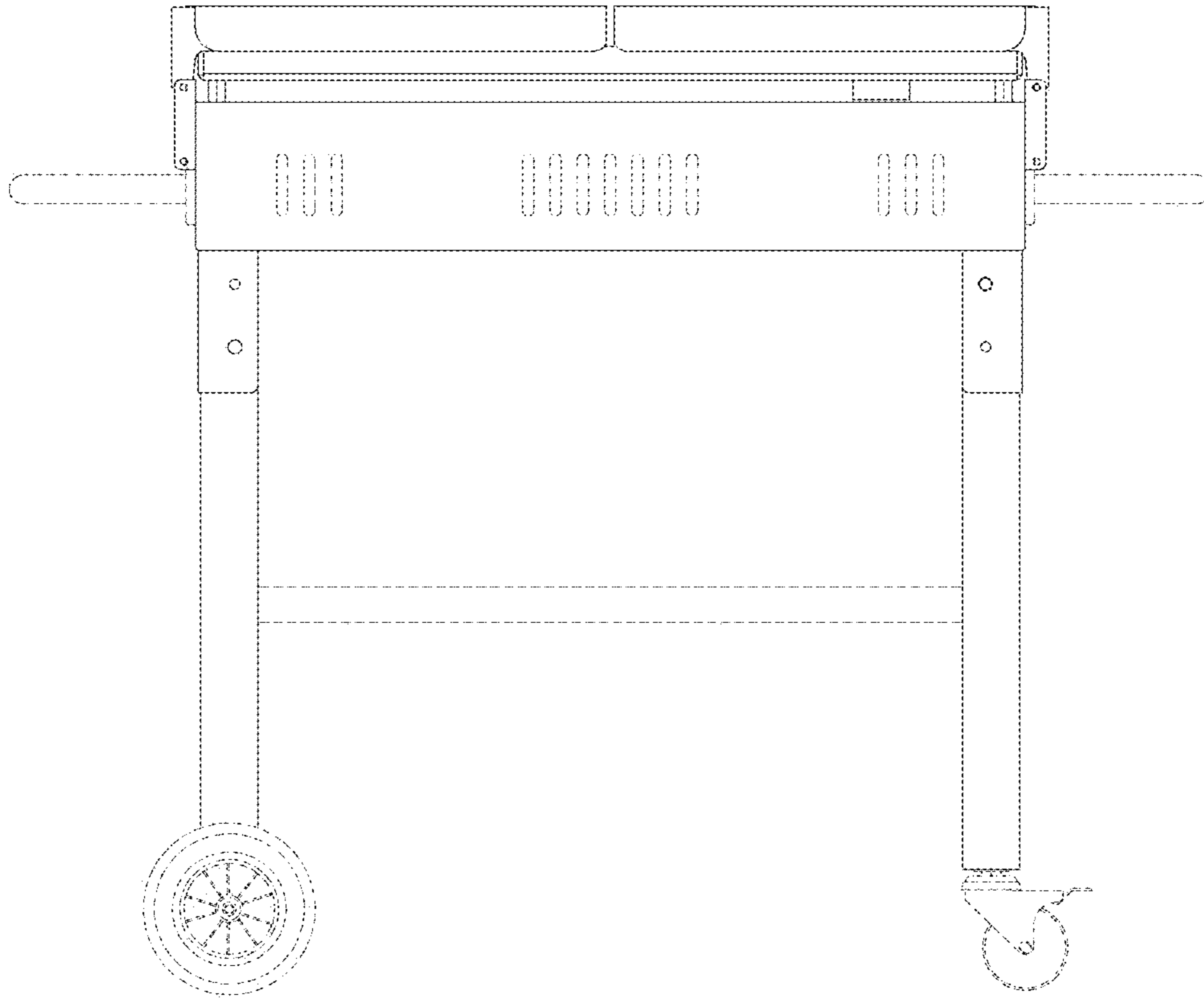


FIG. 3

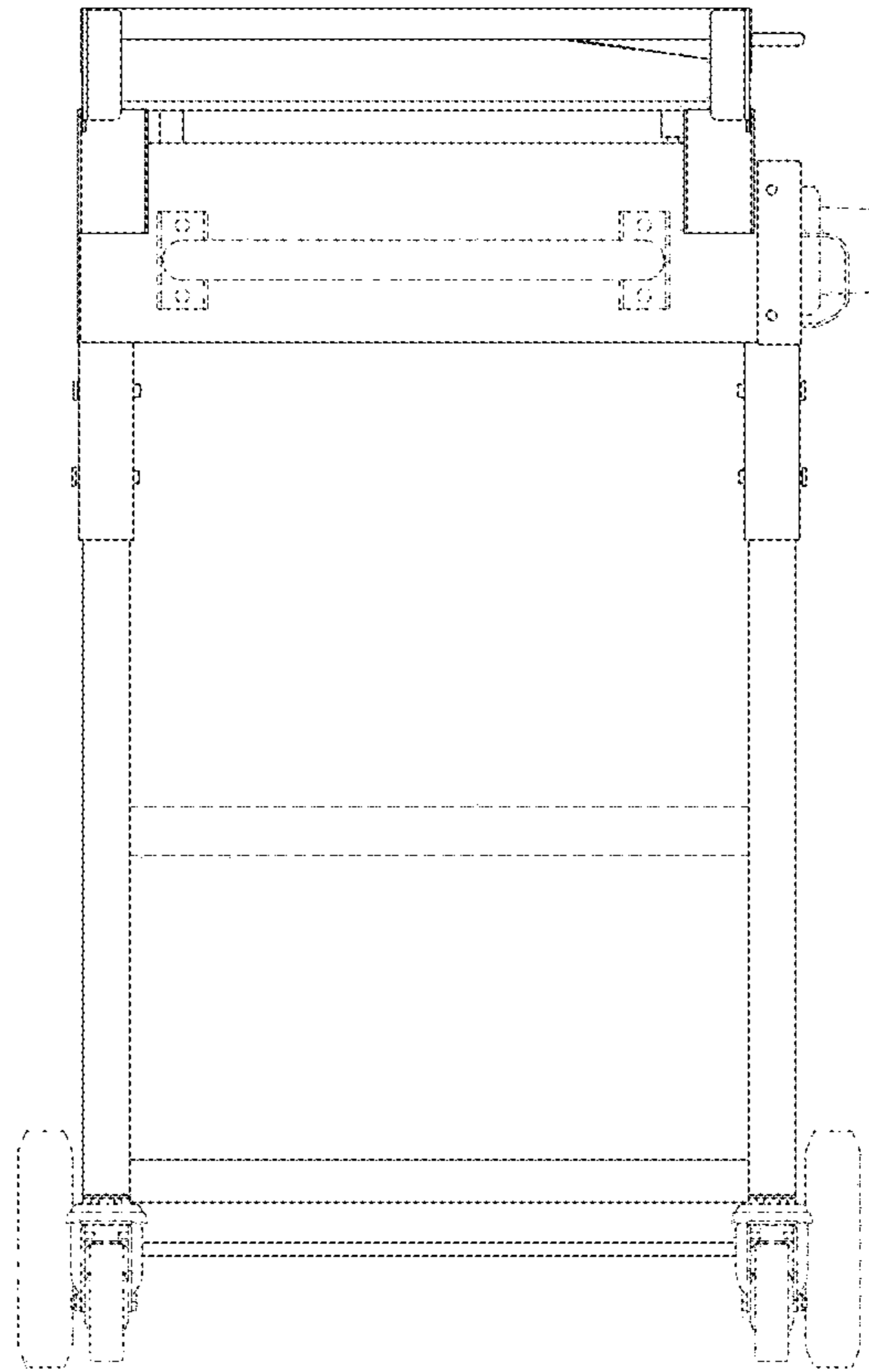


FIG. 4

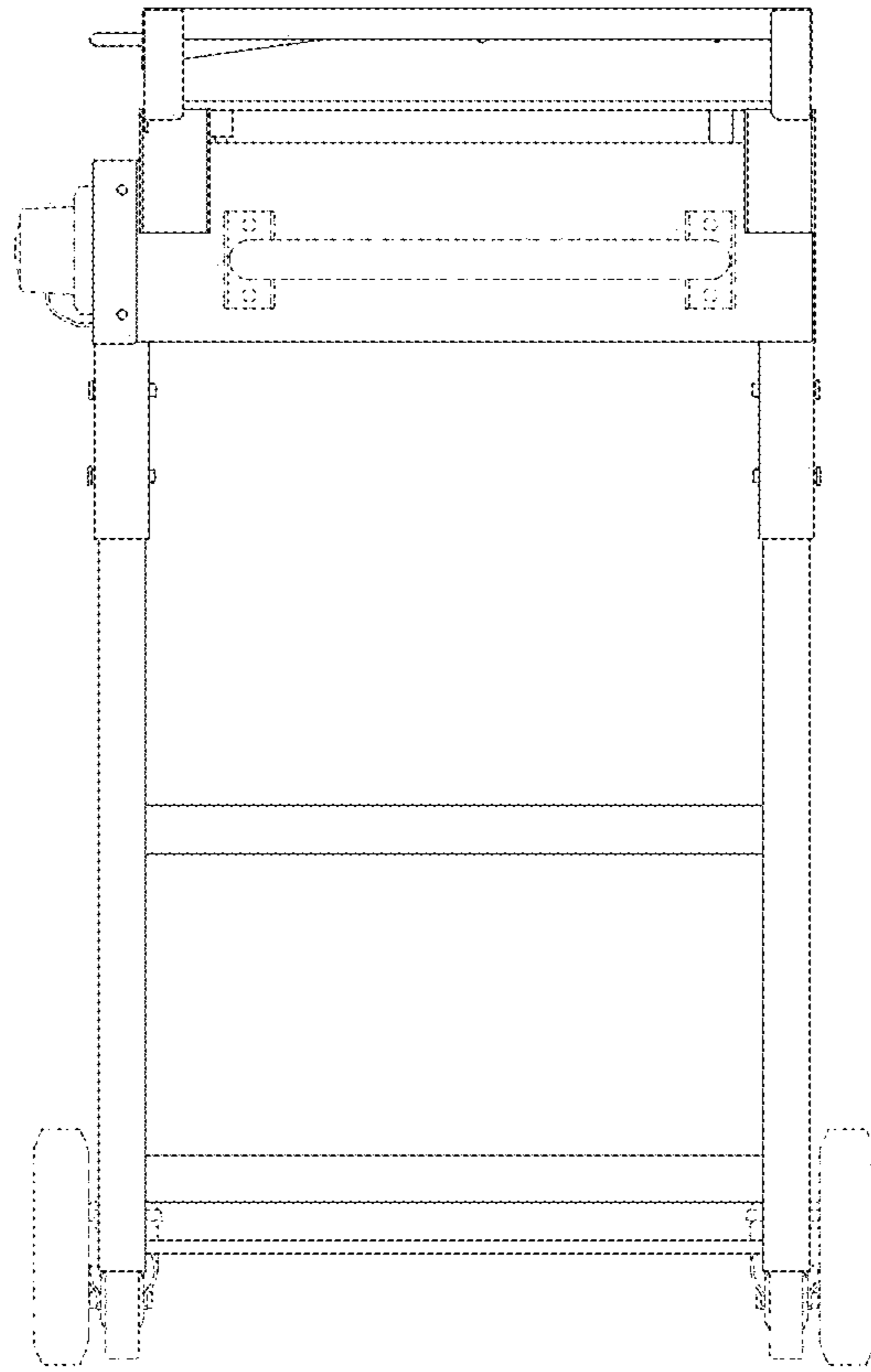


FIG. 5

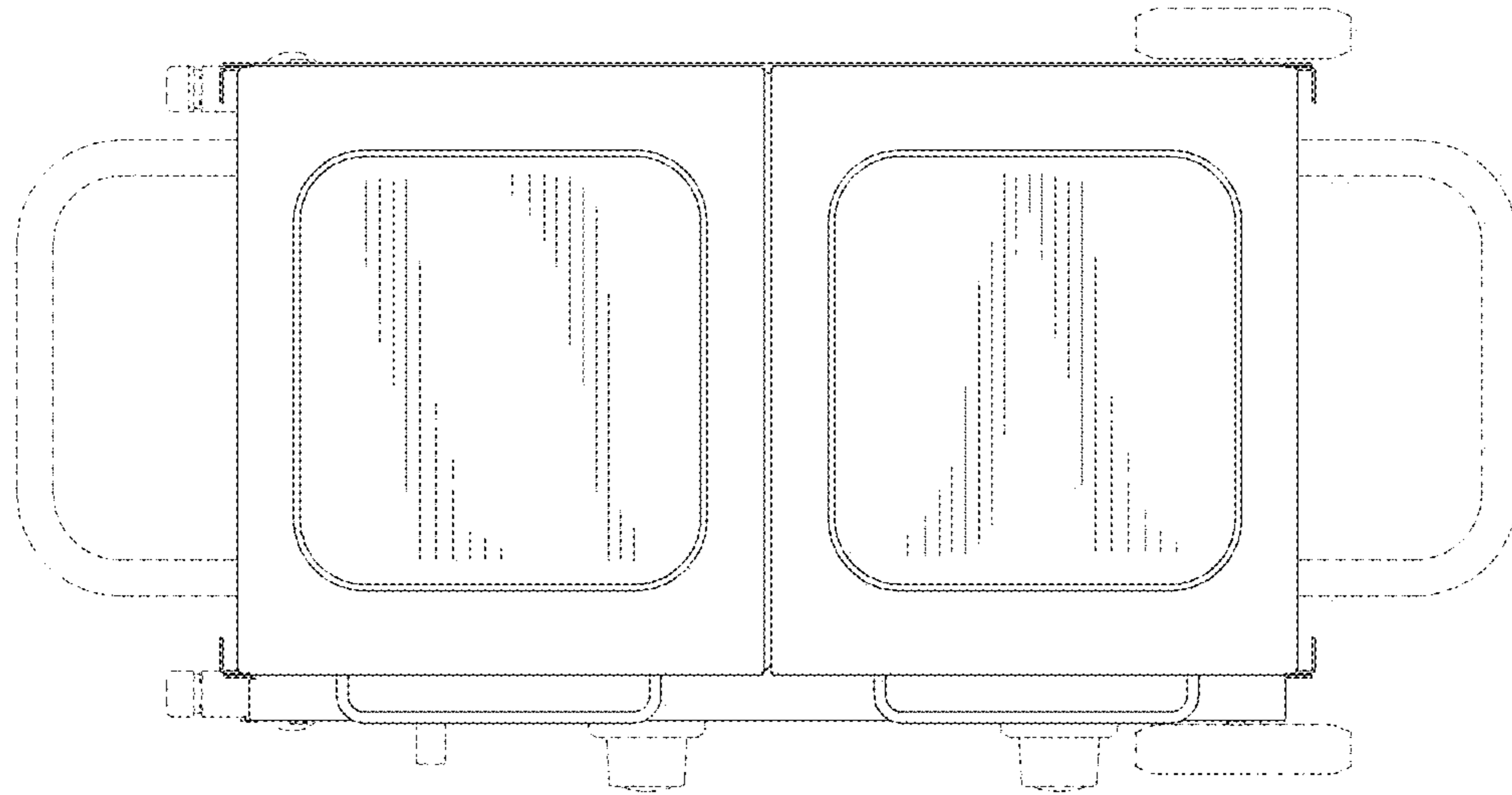


FIG. 6

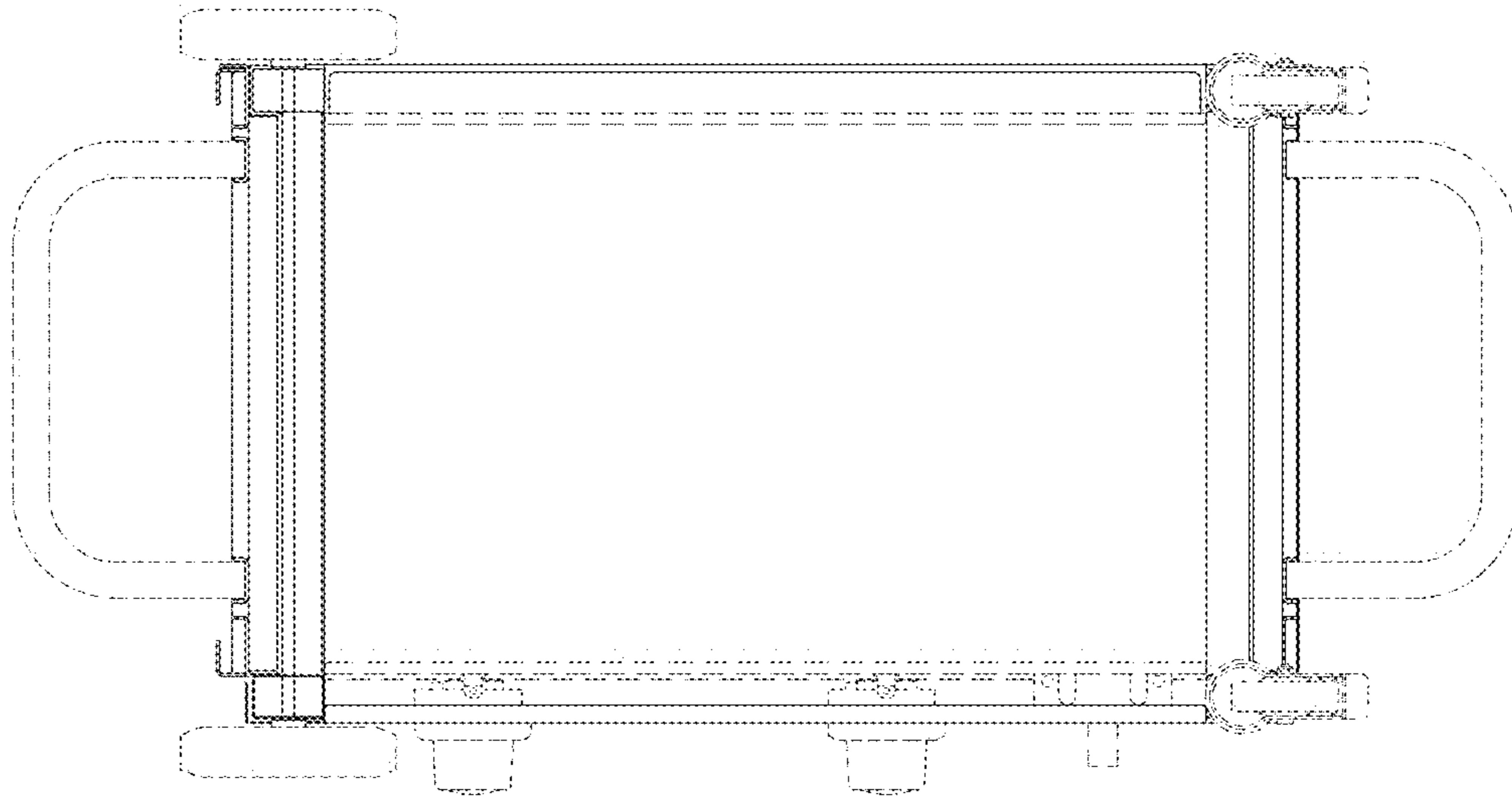


FIG. 7

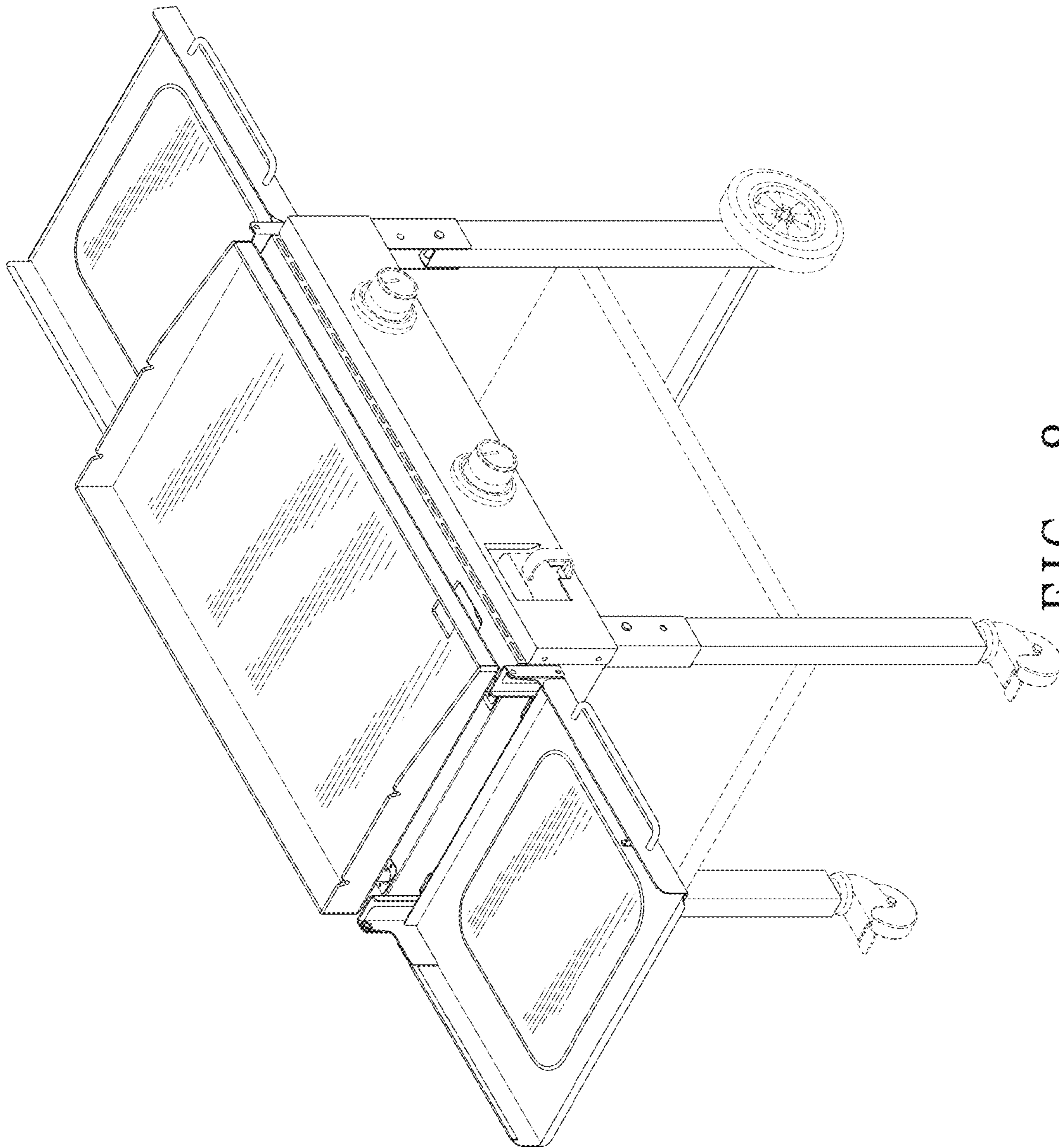


FIG. 8

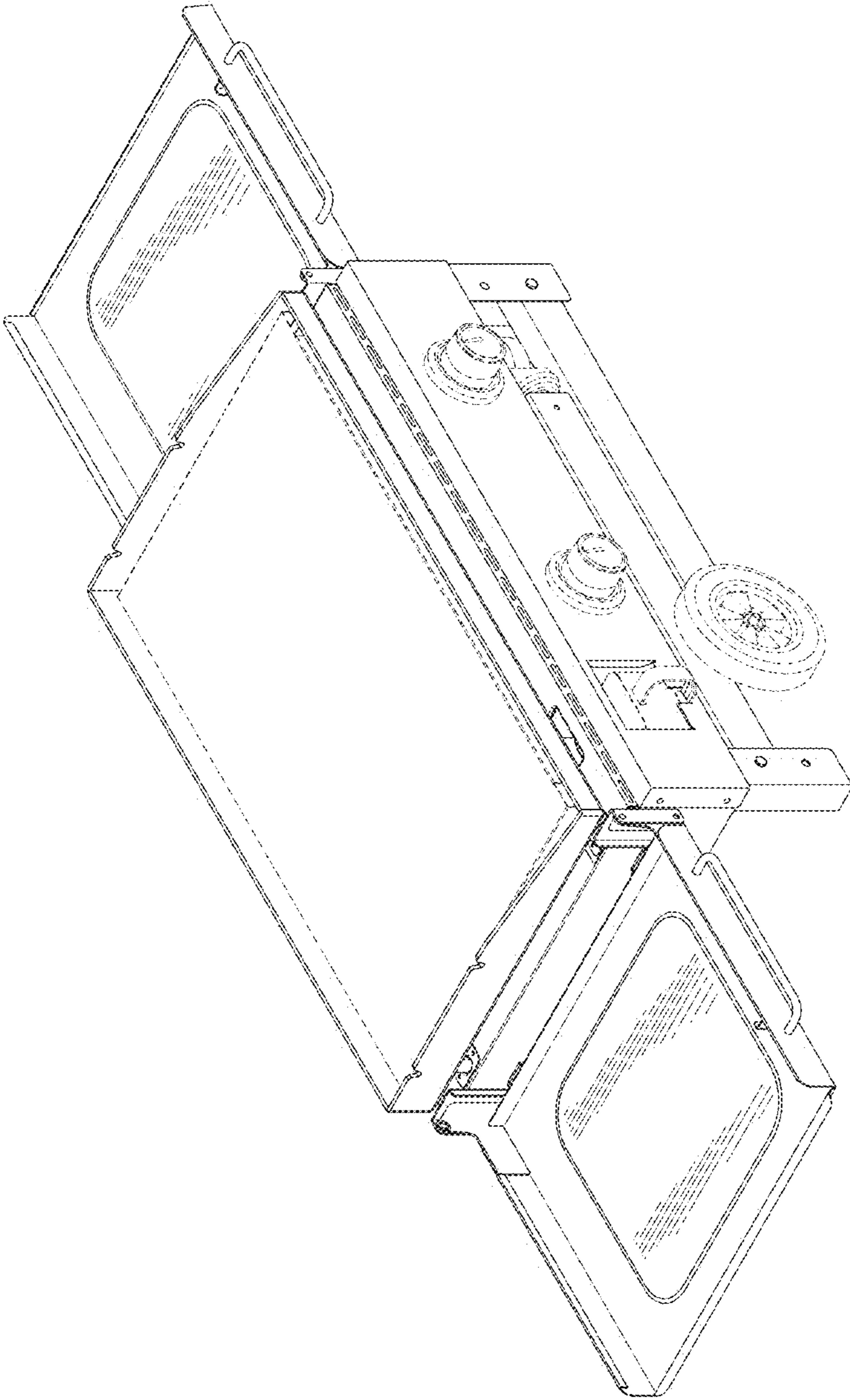


FIG. 9