



US00D926507S

(12) **United States Design Patent** (10) **Patent No.:** **US D926,507 S**
Ohno et al. (45) **Date of Patent:** **** Aug. 3, 2021**

(54) **KITCHEN WITH ROBOT MANIPULATOR**

(71) Applicant: **SONY CORPORATION**, Tokyo (JP)

(72) Inventors: **Shigeki Ohno**, Kanagawa (JP); **Yuto Ishizu**, Tokyo (JP); **Fumihito Yoshikawa**, Tokyo (JP)

(73) Assignee: **SONY CORPORATION**, Tokyo (JP)

(**) Term: **15 Years**

(21) Appl. No.: **29/684,247**

(22) Filed: **Mar. 19, 2019**

(30) **Foreign Application Priority Data**

Oct. 16, 2018 (JP) D2018-022711

Oct. 16, 2018 (JP) D2018-022712

(Continued)

(51) **LOC (13) Cl.** **06-03**

(52) **U.S. Cl.**
USPC **D6/699**; D15/199

(58) **Field of Classification Search**
USPC D6/702, 707, 699; D15/199, 122, 144;
D10/63

(Continued)

(56) **References Cited**

U.S. PATENT DOCUMENTS

4,636,137 A * 1/1987 Lemelson B25J 5/005

348/114

4,741,232 A * 5/1988 Myers B23Q 1/015

29/27 C

(Continued)

FOREIGN PATENT DOCUMENTS

GB 6013079 S 5/2017

JP 4243326 B2 3/2009

JP 4361132 B2 11/2009

Primary Examiner — Mary Ann Calabrese

(74) *Attorney, Agent, or Firm* — Michael Best and Friedrich LLP

(57) **CLAIM**

The ornamental design for a kitchen with a robot manipulator, as shown and described.

DESCRIPTION

FIG. 1 is a front, top, right perspective view of a first embodiment of a kitchen with a robot manipulator showing our new design;

FIG. 2 is a rear, top, left perspective view thereof;

FIG. 3 is a front elevational view thereof;

FIG. 4 is a right side elevational view thereof;

FIG. 5 is a top plan view thereof;

FIG. 6 is a cross sectional view cut along the line 6-6 of FIG. 3;

FIG. 7 is an enlarged cross sectional view of a robot manipulator cut along the line 7-7 of FIG. 4;

FIG. 8 is an enlarged partial perspective view taken from the area labeled 8 in FIG. 1; and

FIG. 9 is an enlarged partial perspective view taken from the area labeled 9 in FIG. 2.

FIG. 10 is a front, top, right perspective view of a second embodiment of a kitchen with a robot manipulator showing our new design;

FIG. 11 is a rear, top, left perspective view thereof;

FIG. 12 is a front elevational view thereof;

FIG. 13 is a right side elevational view thereof; and

FIG. 14 is a top plan view thereof.

FIG. 15 is an enlarged partial perspective view taken from the area labeled 15 in FIG. 10;

FIG. 16 is an enlarged partial perspective view taken from the area labeled 16 in FIG. 11;

FIG. 17 is a cross sectional view cut along the line 17-17 of FIG. 12; and

FIG. 18 is an enlarged cross sectional view of the robot manipulator cut along the line 18-18 of FIG. 13.

FIG. 19 is a front, top, right perspective view of a third embodiment of a kitchen with a robot manipulator showing our new design;

FIG. 20 is a rear, top, left perspective view thereof;

FIG. 21 is a front elevational view thereof;

(Continued)

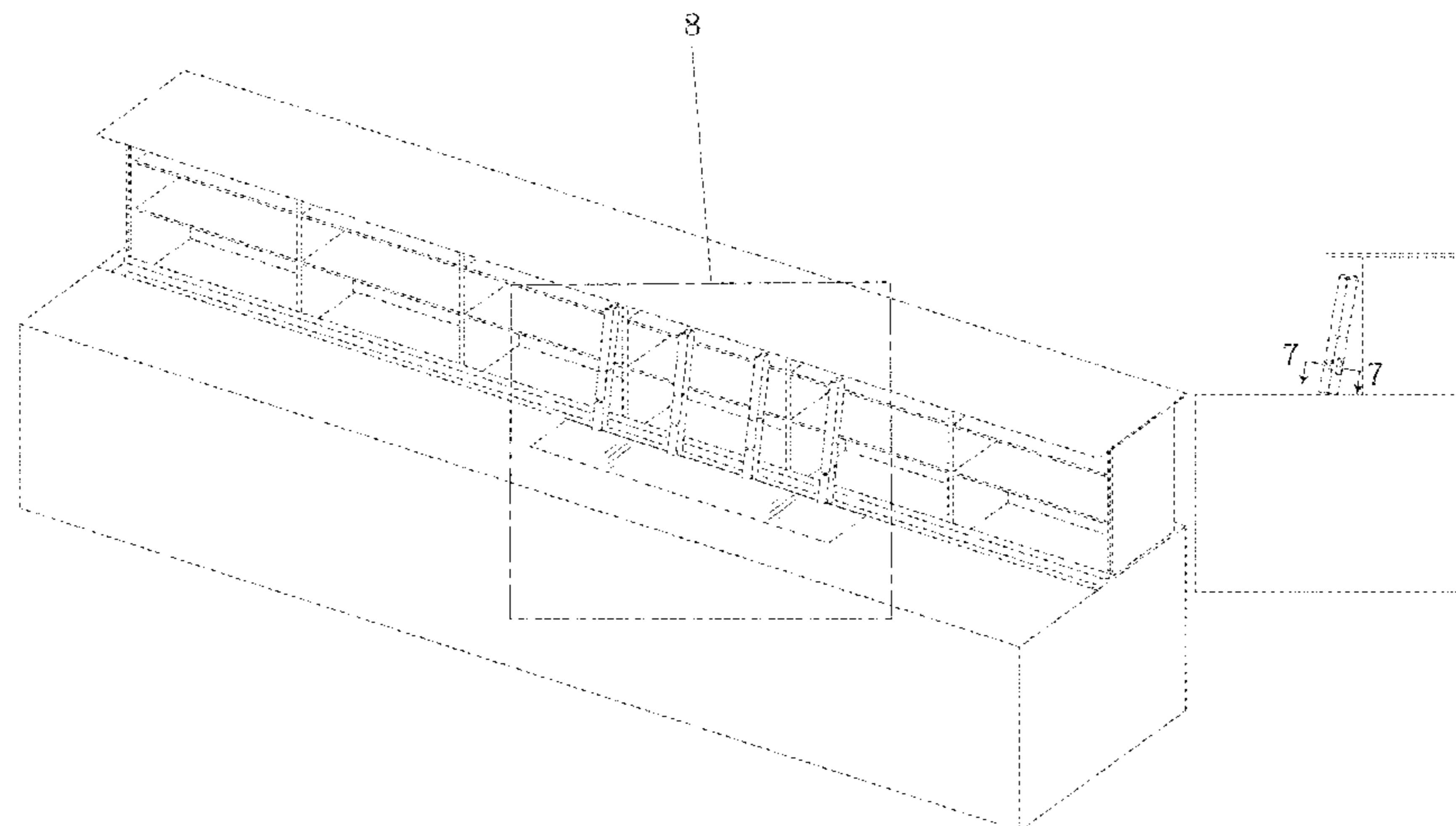


FIG. 22 is a right side elevational view thereof, a left side elevational view being a mirror image;
 FIG. 23 is a top plan view thereof;
 FIG. 24 is an enlarged partial perspective view taken from the area labeled 24 in FIG. 19;
 FIG. 25 is an enlarged partial perspective view taken from the area labeled 25 in FIG. 20;
 FIG. 26 is a cross sectional view cut along the line 26-26 of FIG. 21; and,
 FIG. 27 is an enlarged cross sectional view of the robot manipulator cut along the line 27-27 of FIG. 22.
 The broken lines illustrate portions of the kitchen with robot manipulator that form no part of the claimed design. The dot-dash broken lines defining the boundaries of the claimed design form no part of the claimed design.

1 Claim, 24 Drawing Sheets

(30) Foreign Application Priority Data

Oct. 16, 2018	(JP)	D2018-022713
Oct. 16, 2018	(JP)	D2018-022714
Oct. 16, 2018	(JP)	D2018-022715
Oct. 16, 2018	(JP)	D2018-022716
Oct. 16, 2018	(JP)	D2018-022717
Oct. 16, 2018	(JP)	D2018-022718
Oct. 16, 2018	(JP)	D2018-022719
Oct. 19, 2018	(JP)	D2018-023045

(58) Field of Classification Search

CPC .. A47F 9/00; A47F 10/00; A47F 10/06; A23L 5/10; B25J 9/00; B25J 9/0081; B25J 9/042; B25J 9/046; B25J 9/06

See application file for complete search history.

(56) References Cited

U.S. PATENT DOCUMENTS

4,911,033	A *	3/1990	Rosheim	B25J 9/06 74/490.03
D342,533	S *	12/1993	Stridsberg	D15/199
D368,727	S *	4/1996	Stevens	D15/145
D418,528	S *	1/2000	Honjo	D15/199
D503,117	S *	3/2005	Raab	D10/63
D547,643	S *	7/2007	Ratajczek	D15/199
D599,226	S *	9/2009	Gerent	B25J 9/06 D10/63
D610,926	S *	3/2010	Gerent	D10/63
D676,341	S *	2/2013	Bailey	D10/63
D754,227	S *	4/2016	Parrot	D15/199
D766,348	S *	9/2016	Long	D15/199
D785,688	S *	5/2017	Matsuda	D15/199
D846,013	S *	4/2019	Hakoda	D16/131
D856,390	S *	8/2019	Morimoto	D15/199
D865,826	S *	11/2019	Hatano	D15/199
D892,885	S *	8/2020	Corkum	D15/199
D896,860	S *	9/2020	Abe	B25J 5/005 D15/199
2018/0345485	A1 *	12/2018	Sinnet	G06T 7/73

* cited by examiner

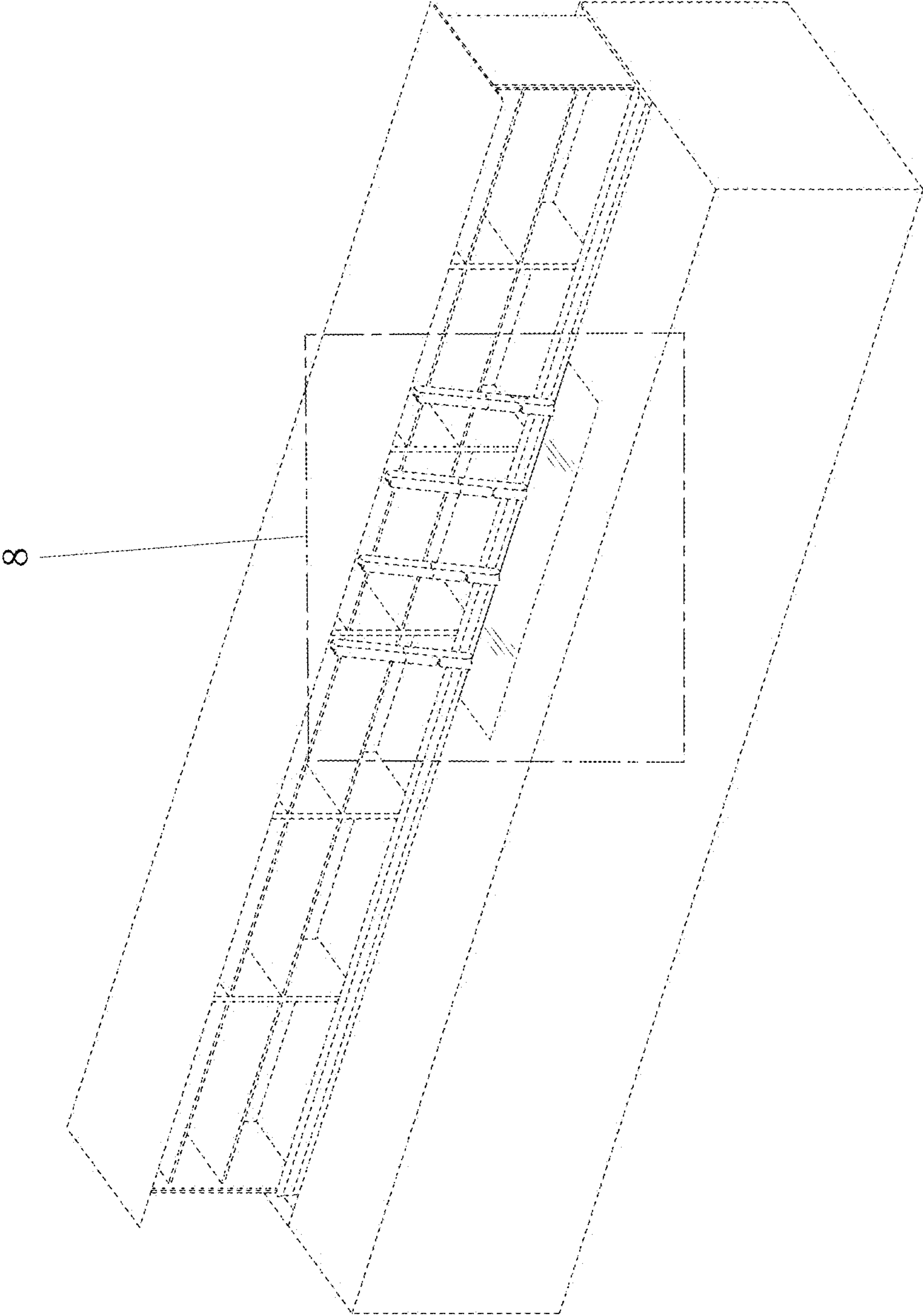


FIG. 1

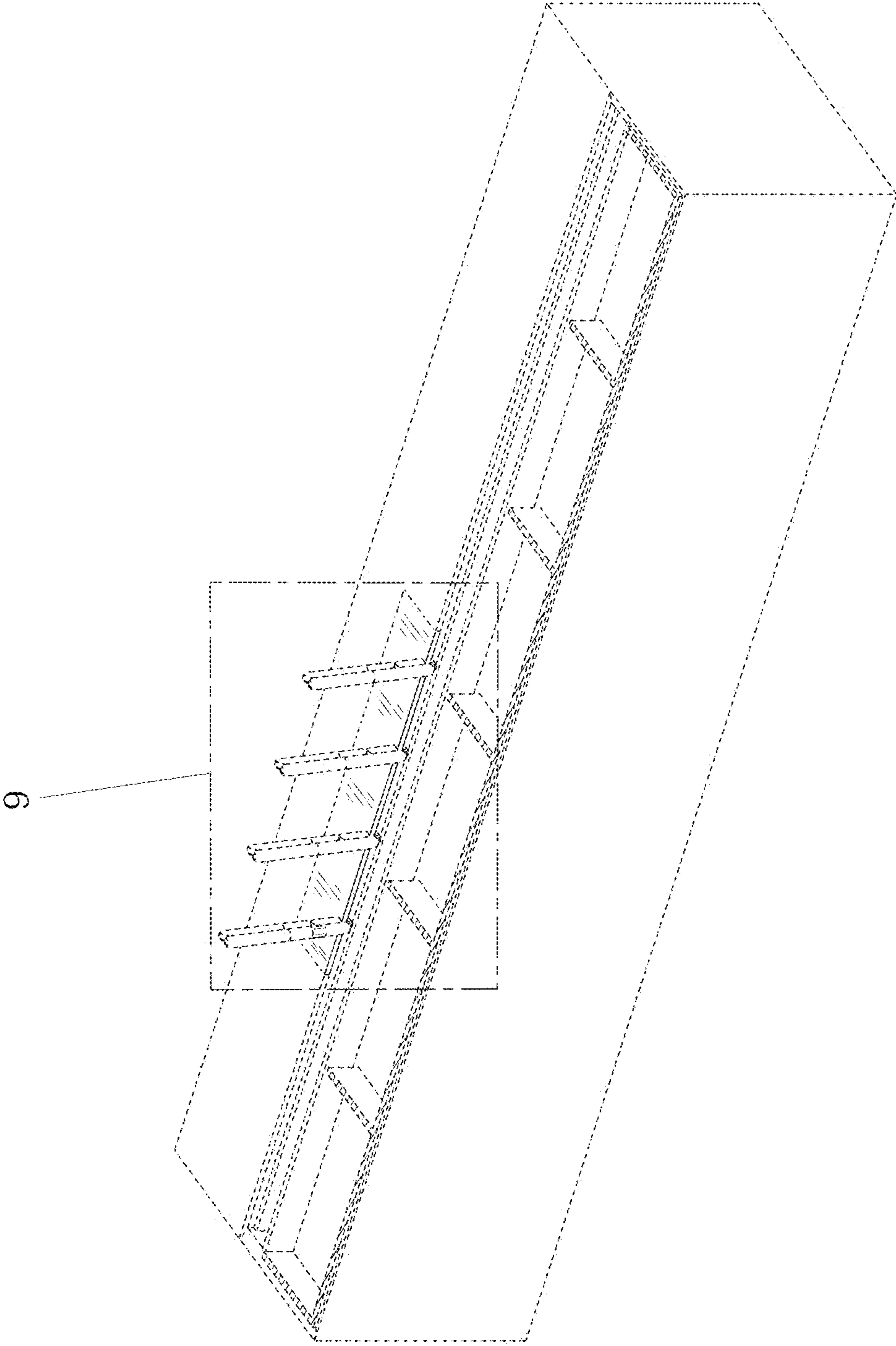


FIG. 2

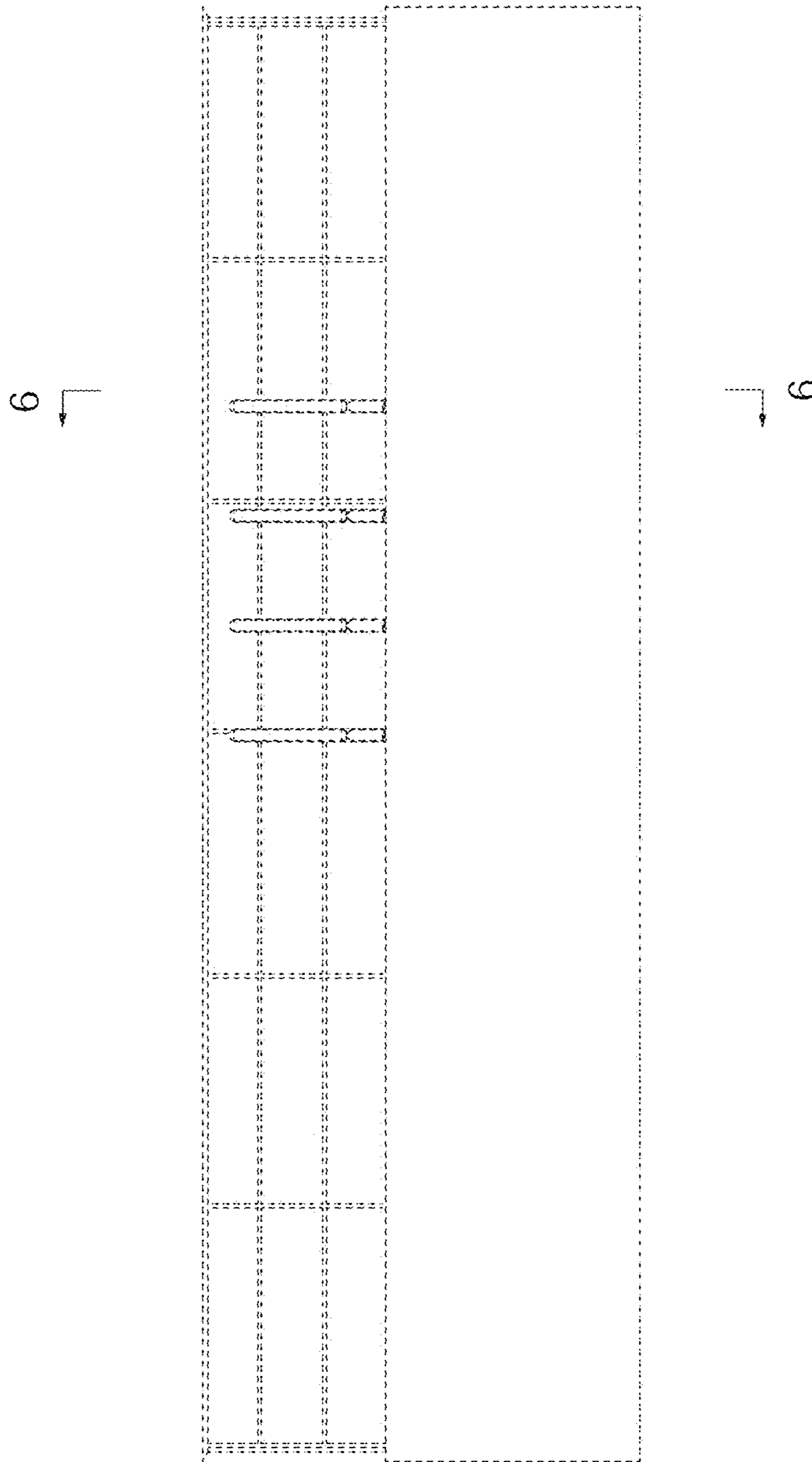


FIG. 3

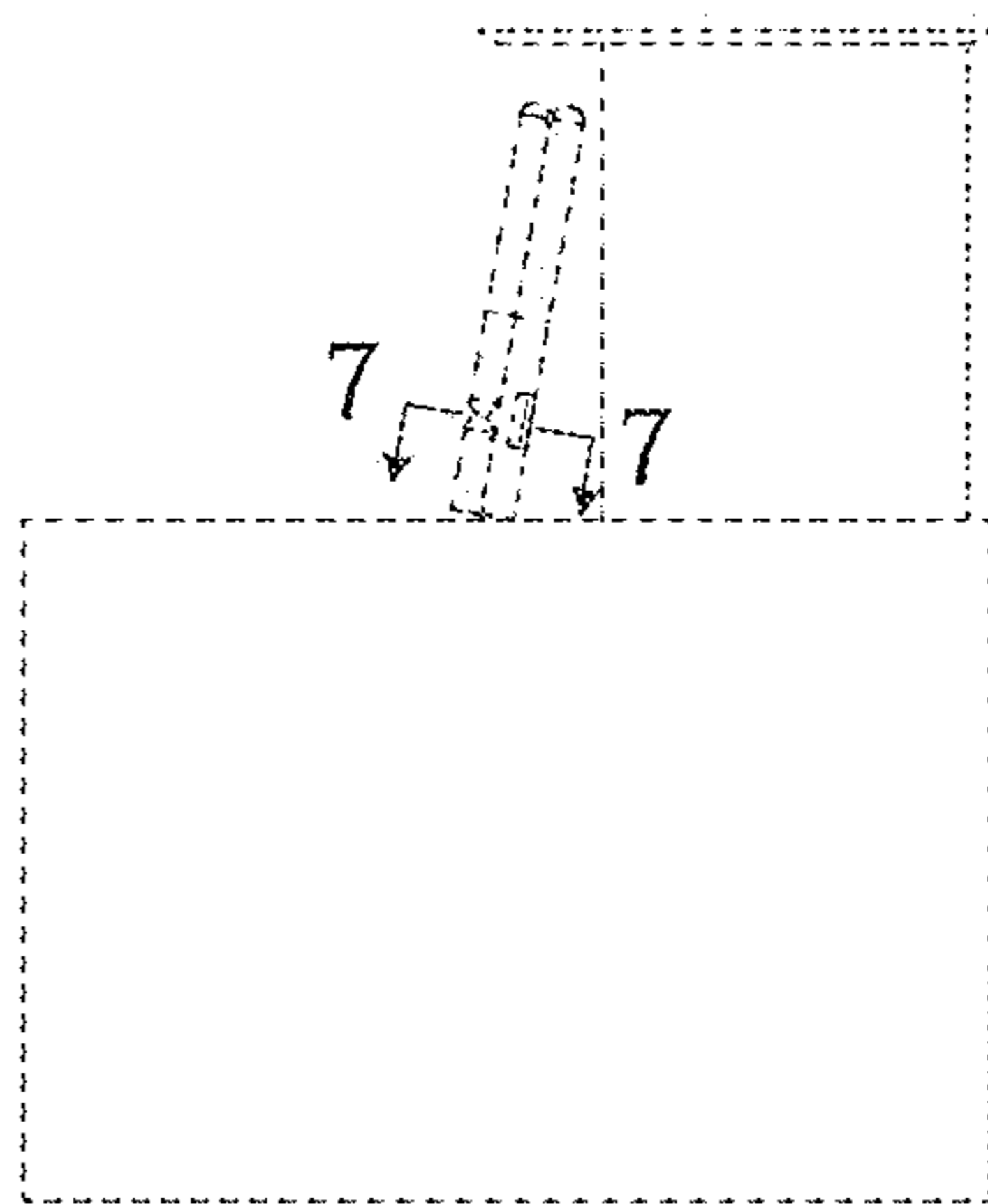


FIG. 4

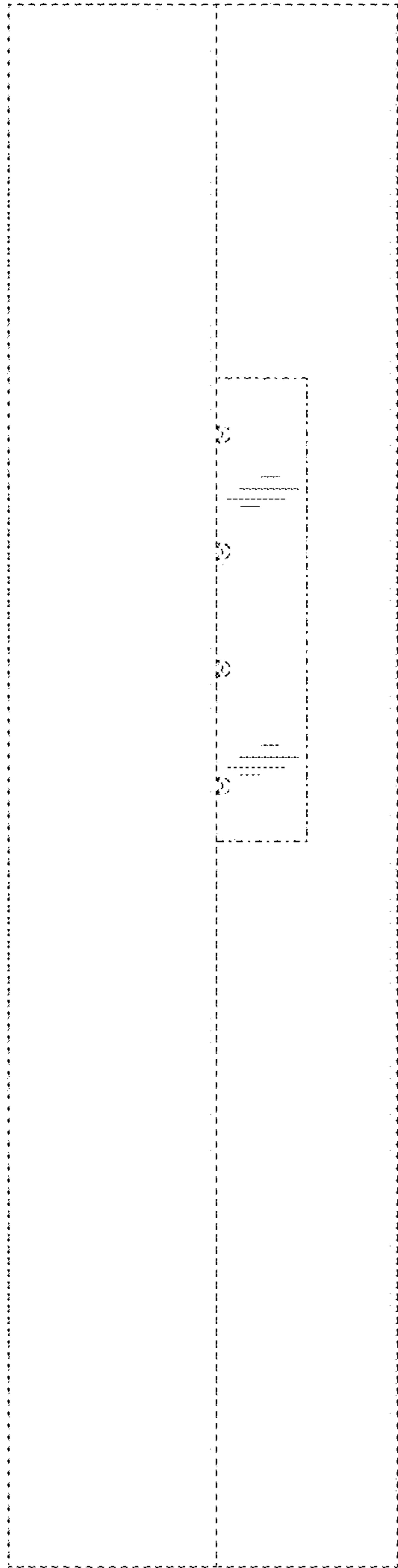


FIG. 5

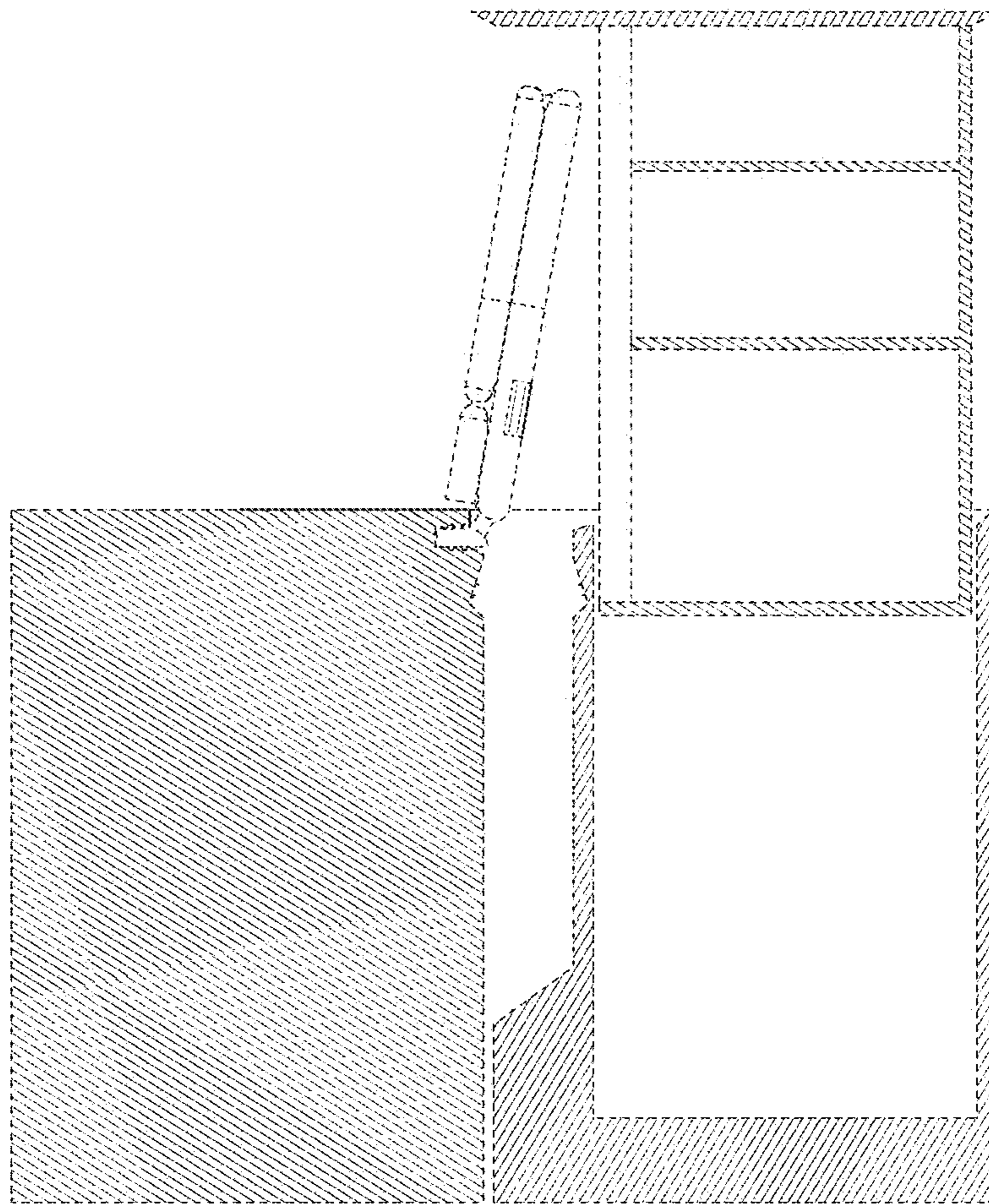


FIG. 6

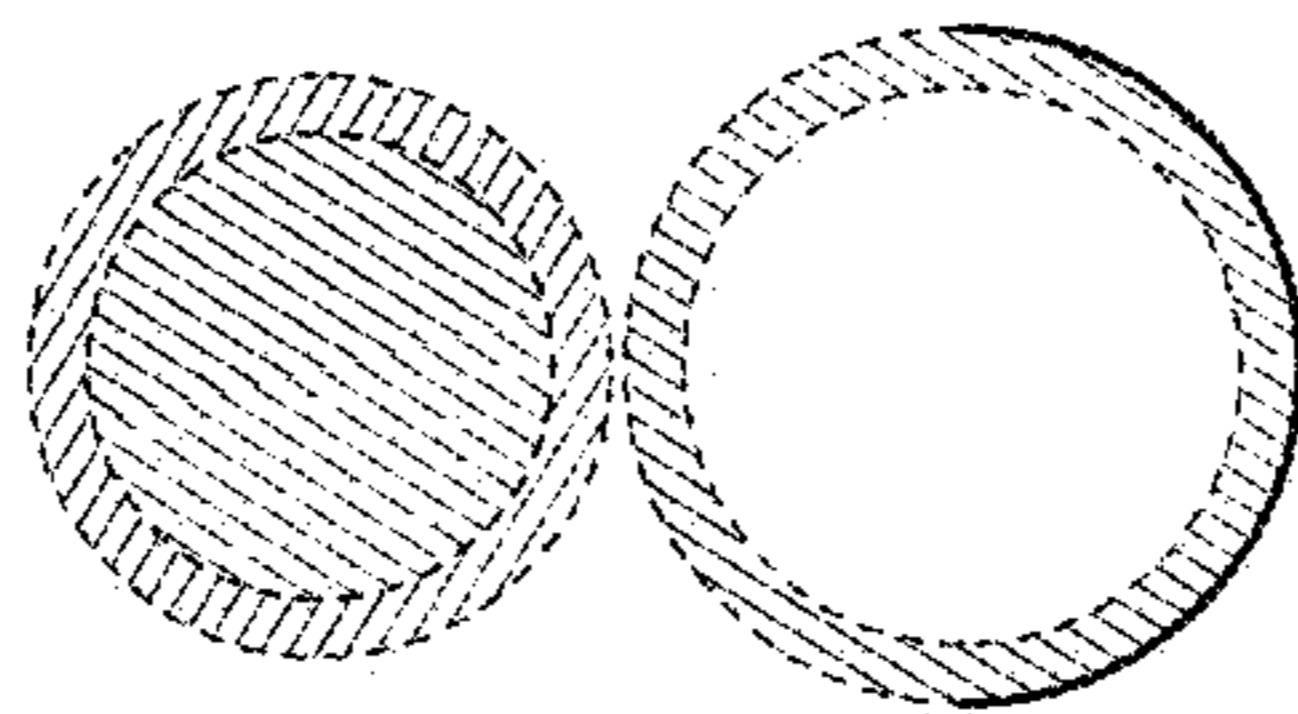


FIG. 7

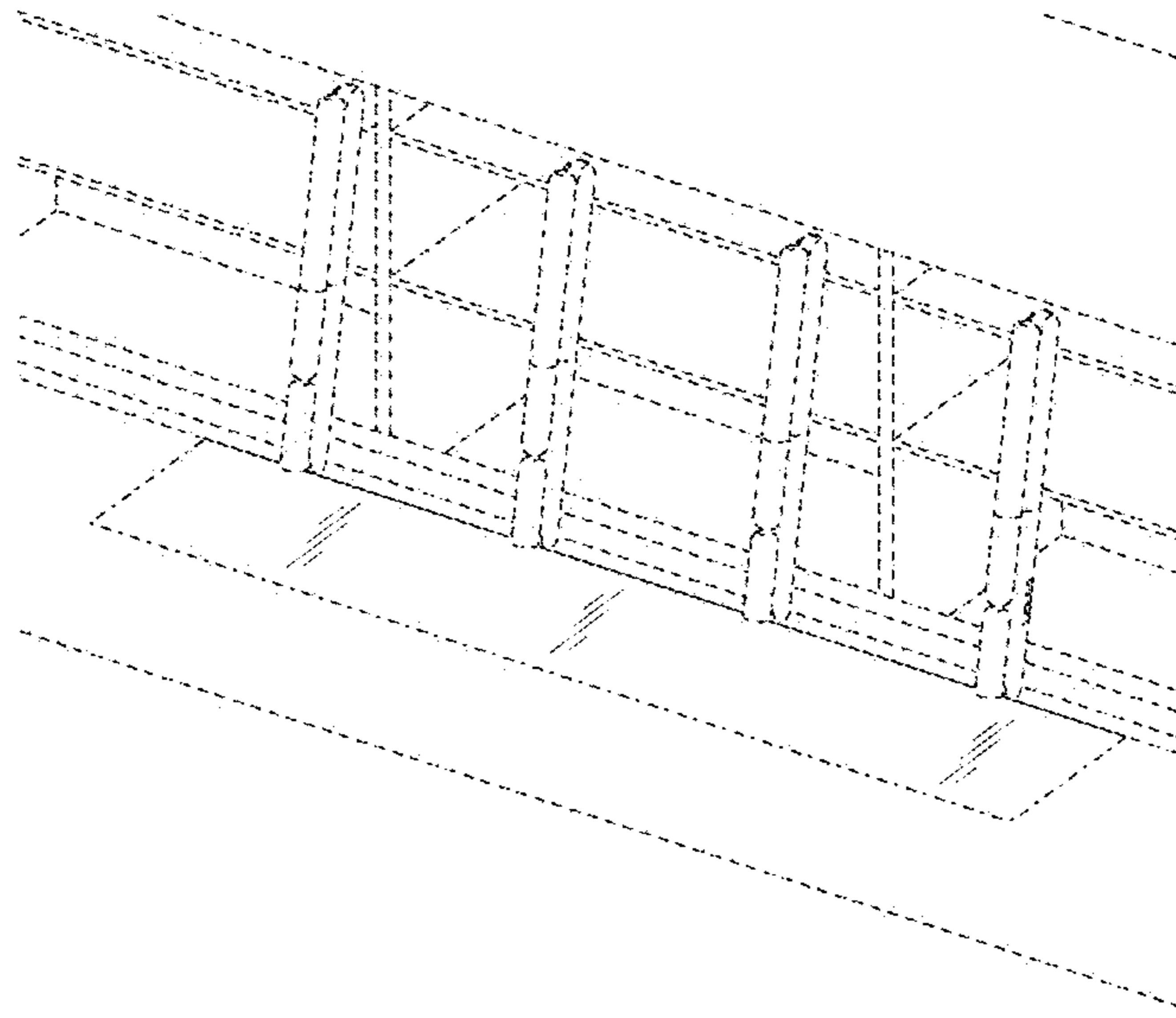


FIG. 8

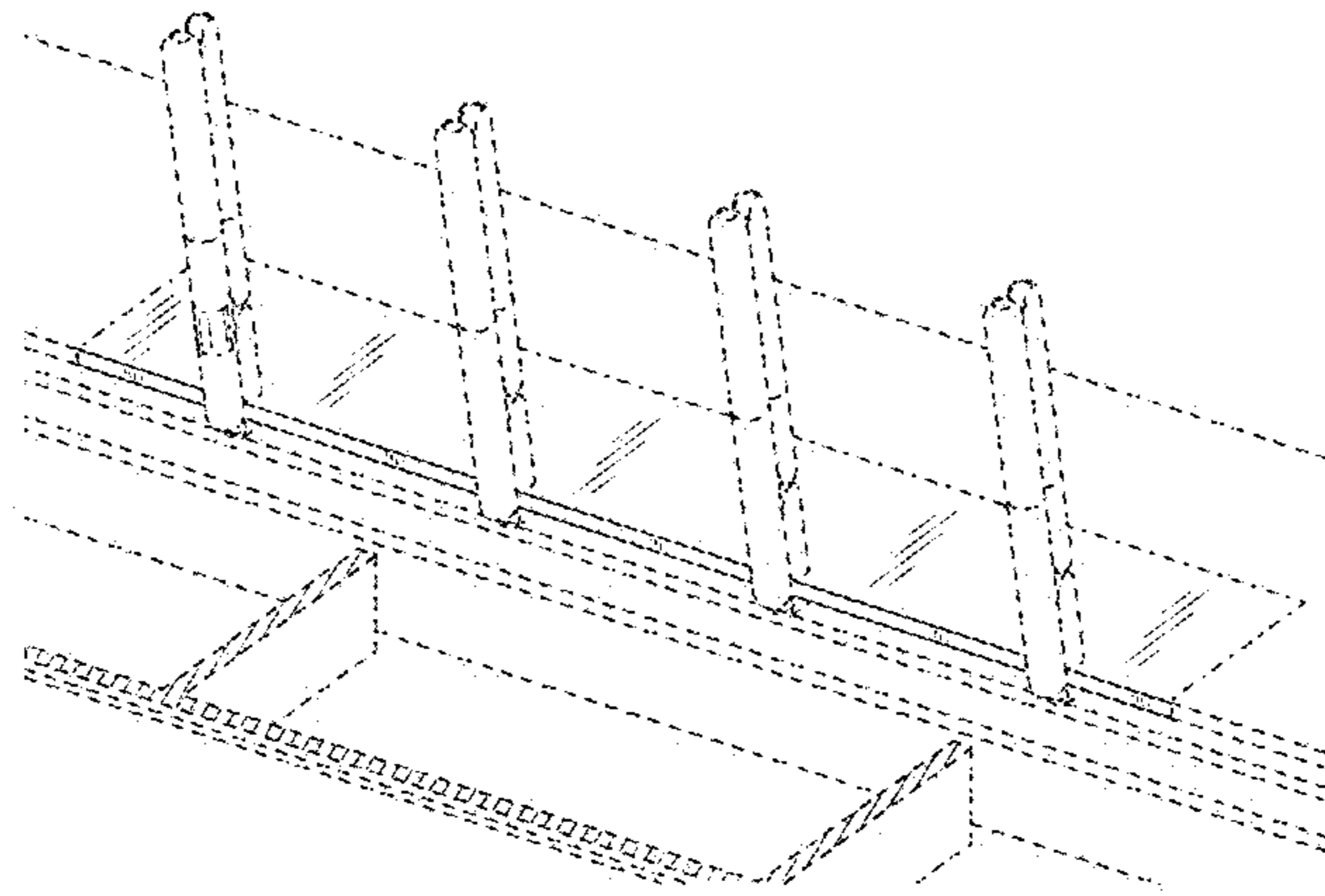


FIG. 9

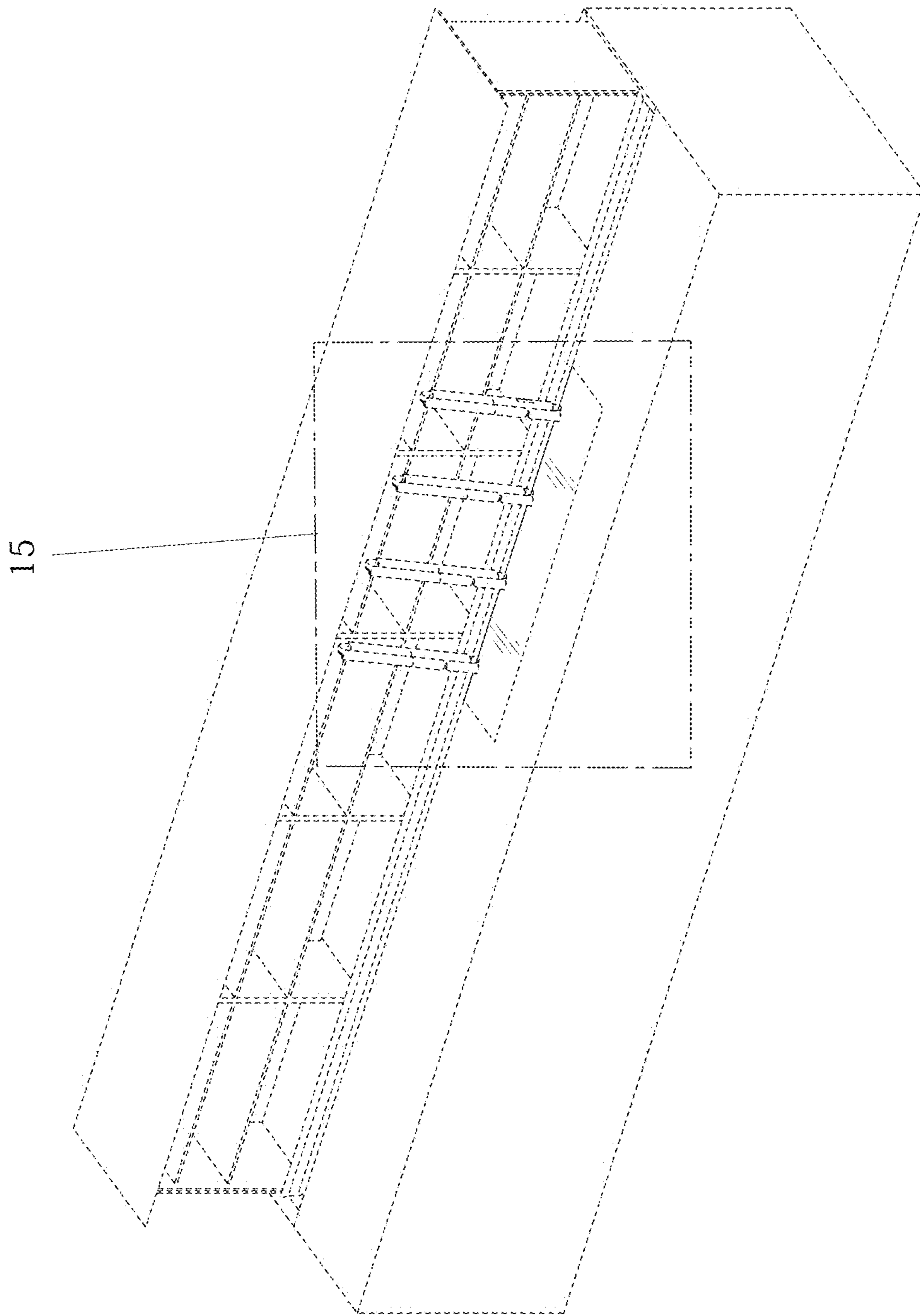


FIG. 10

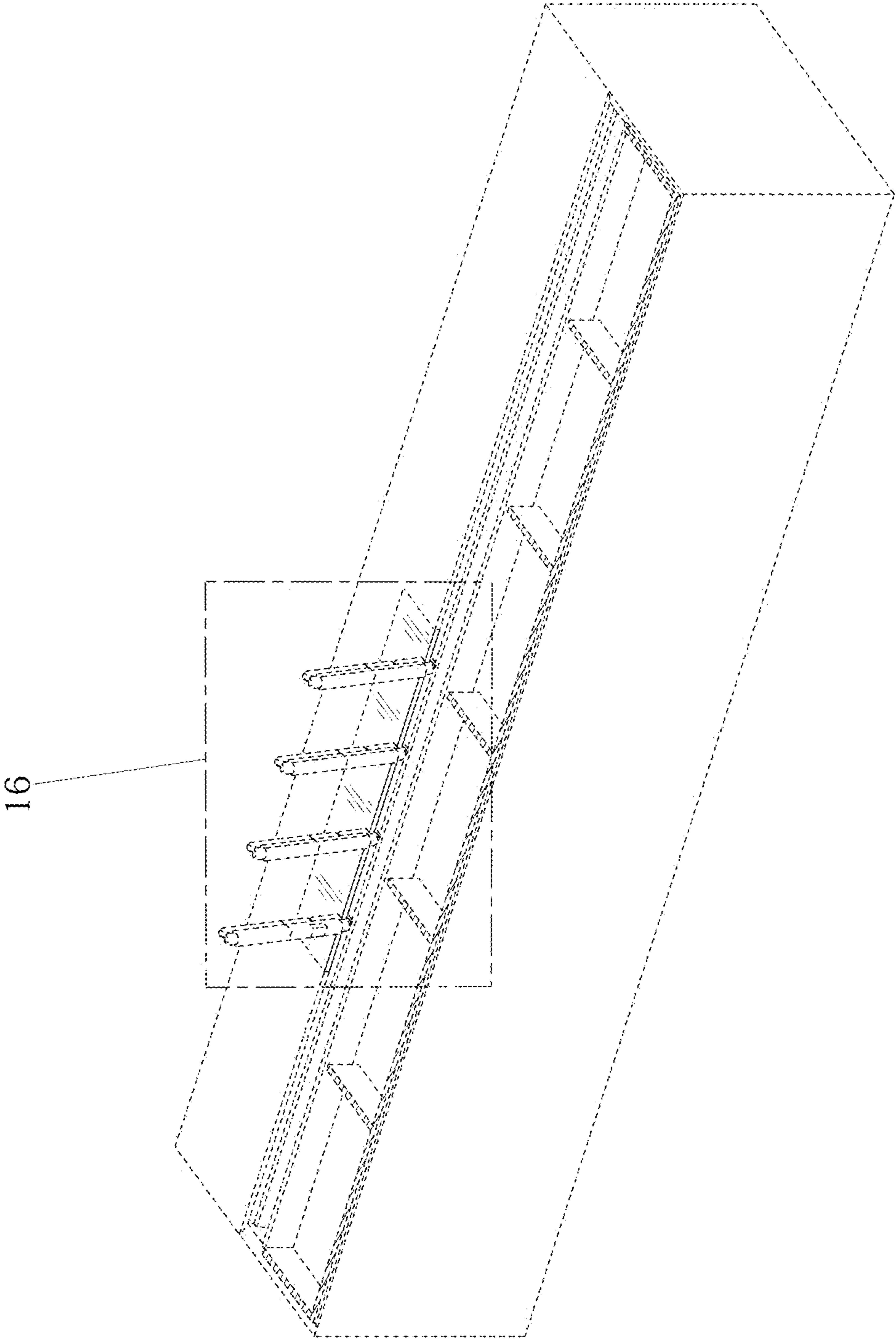


FIG. 11

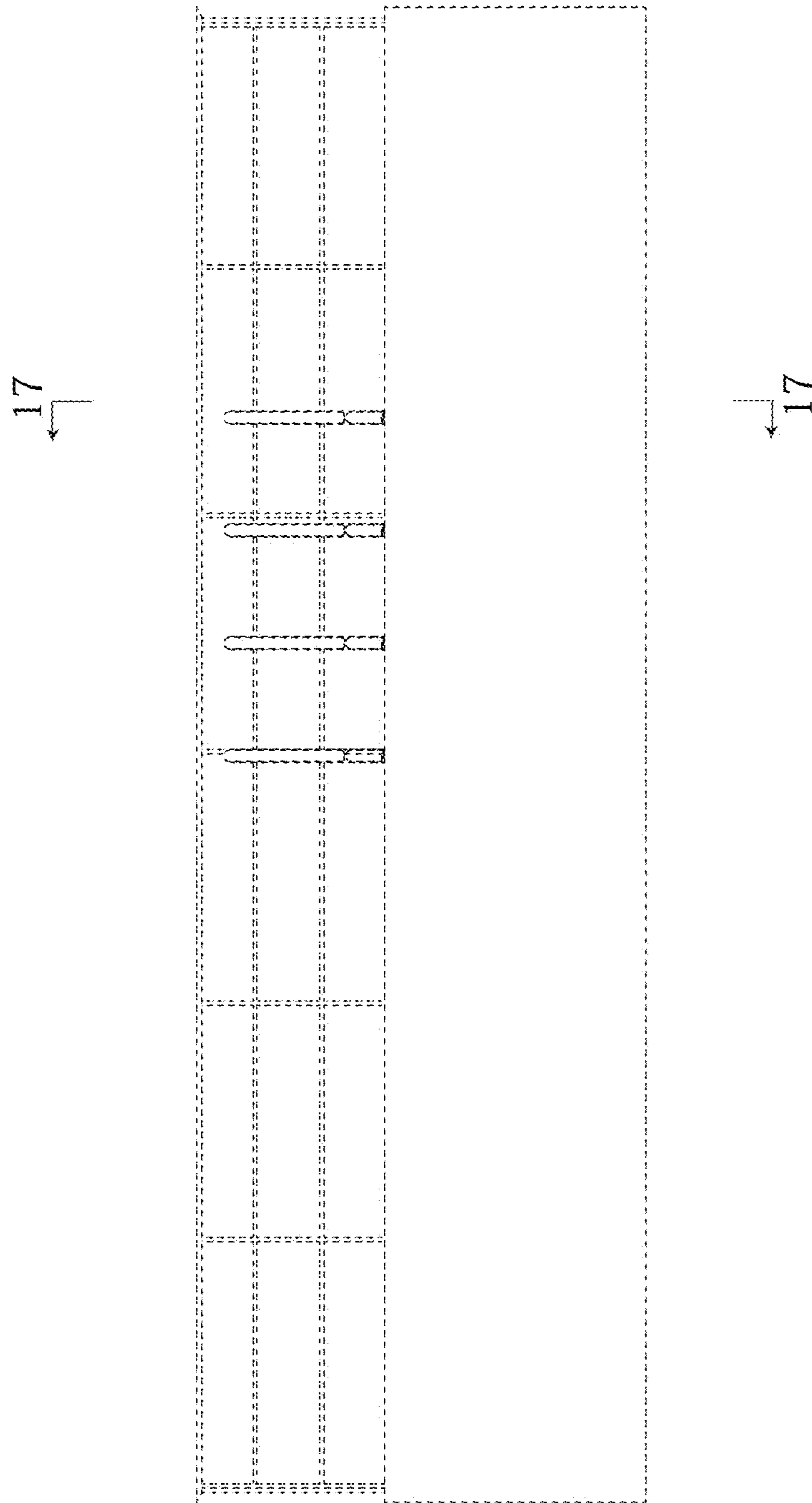


FIG. 12

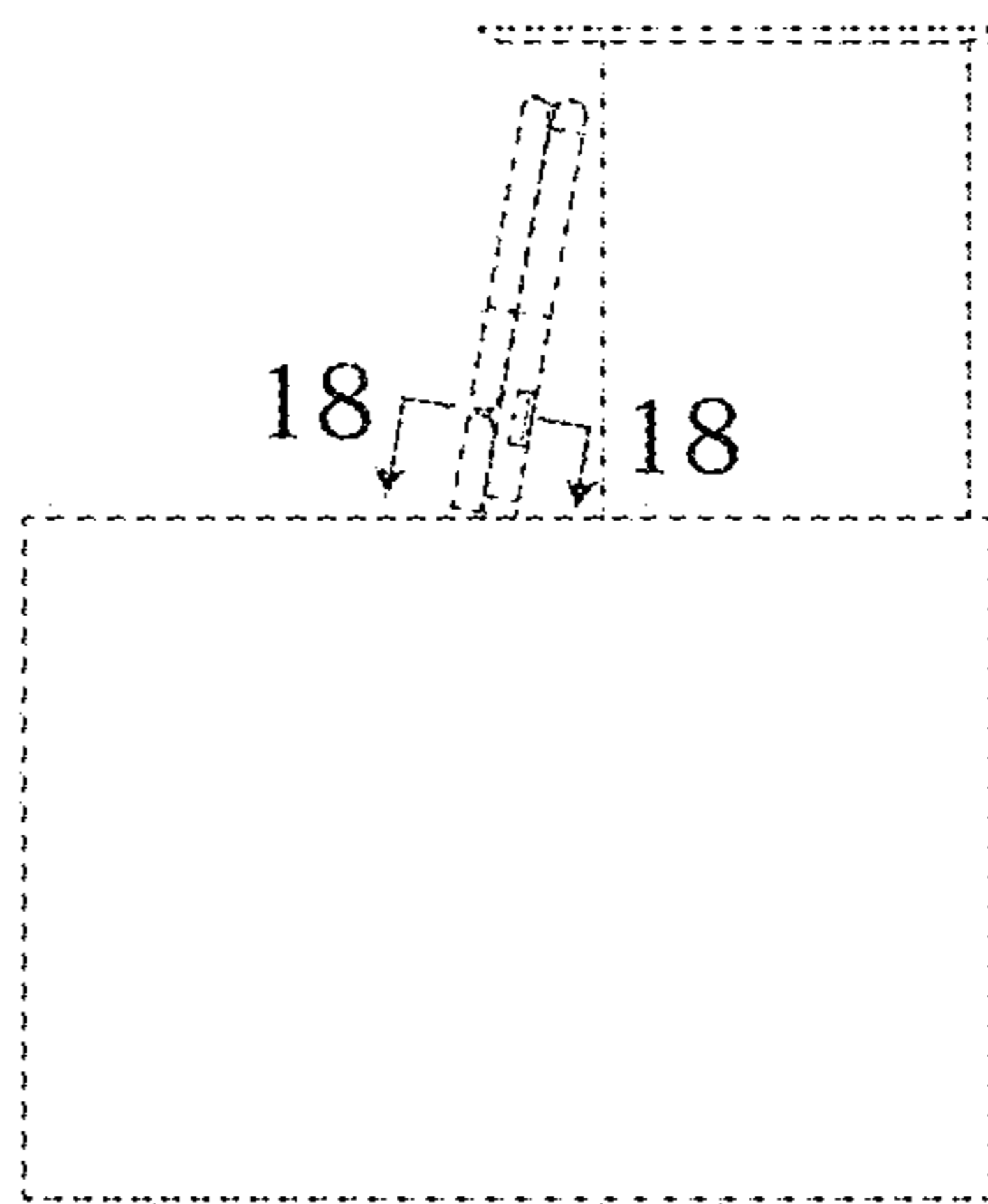


FIG. 13

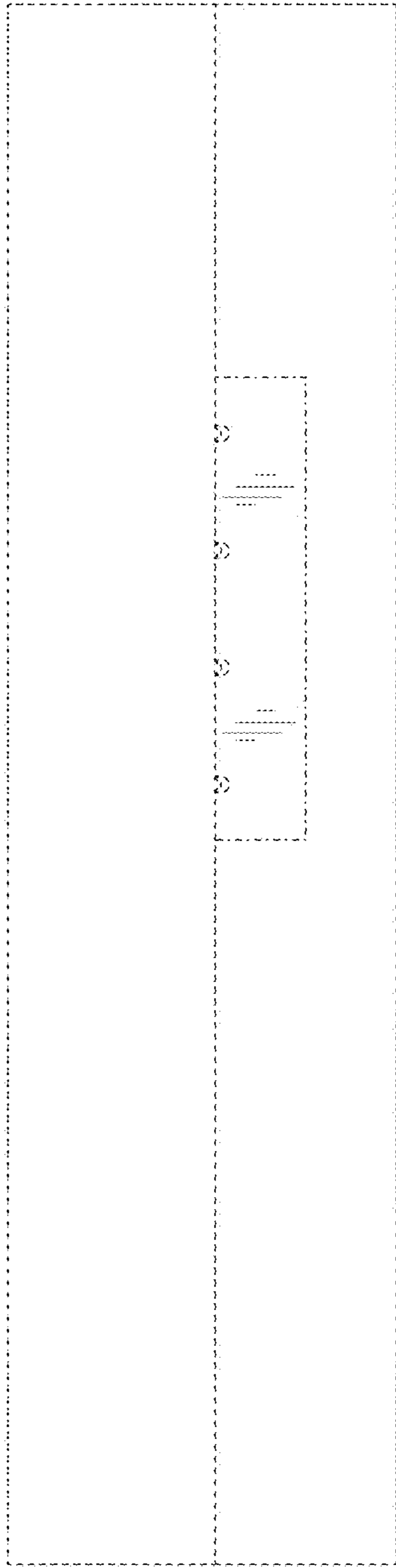


FIG. 14

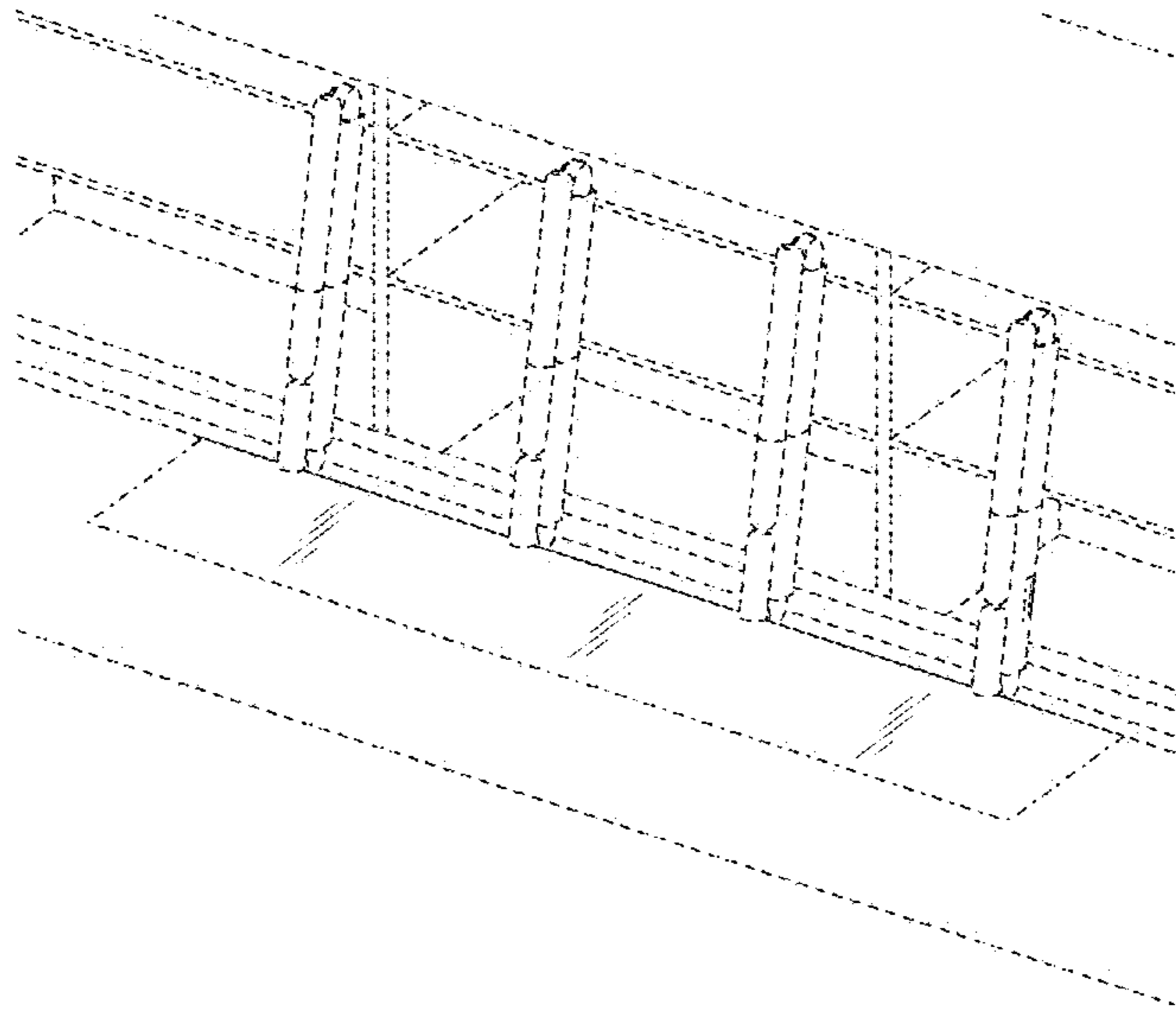


FIG. 15

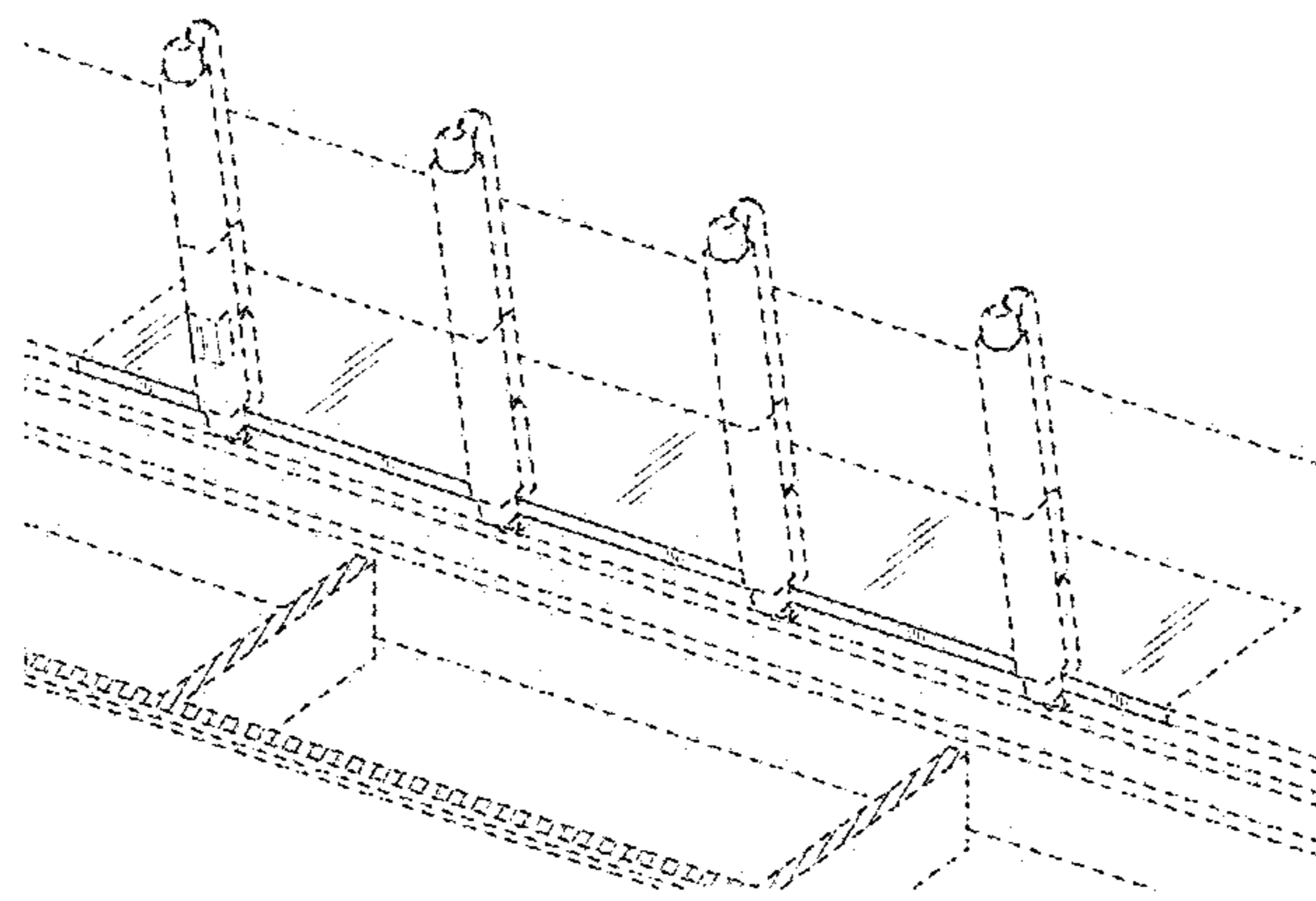


FIG. 16

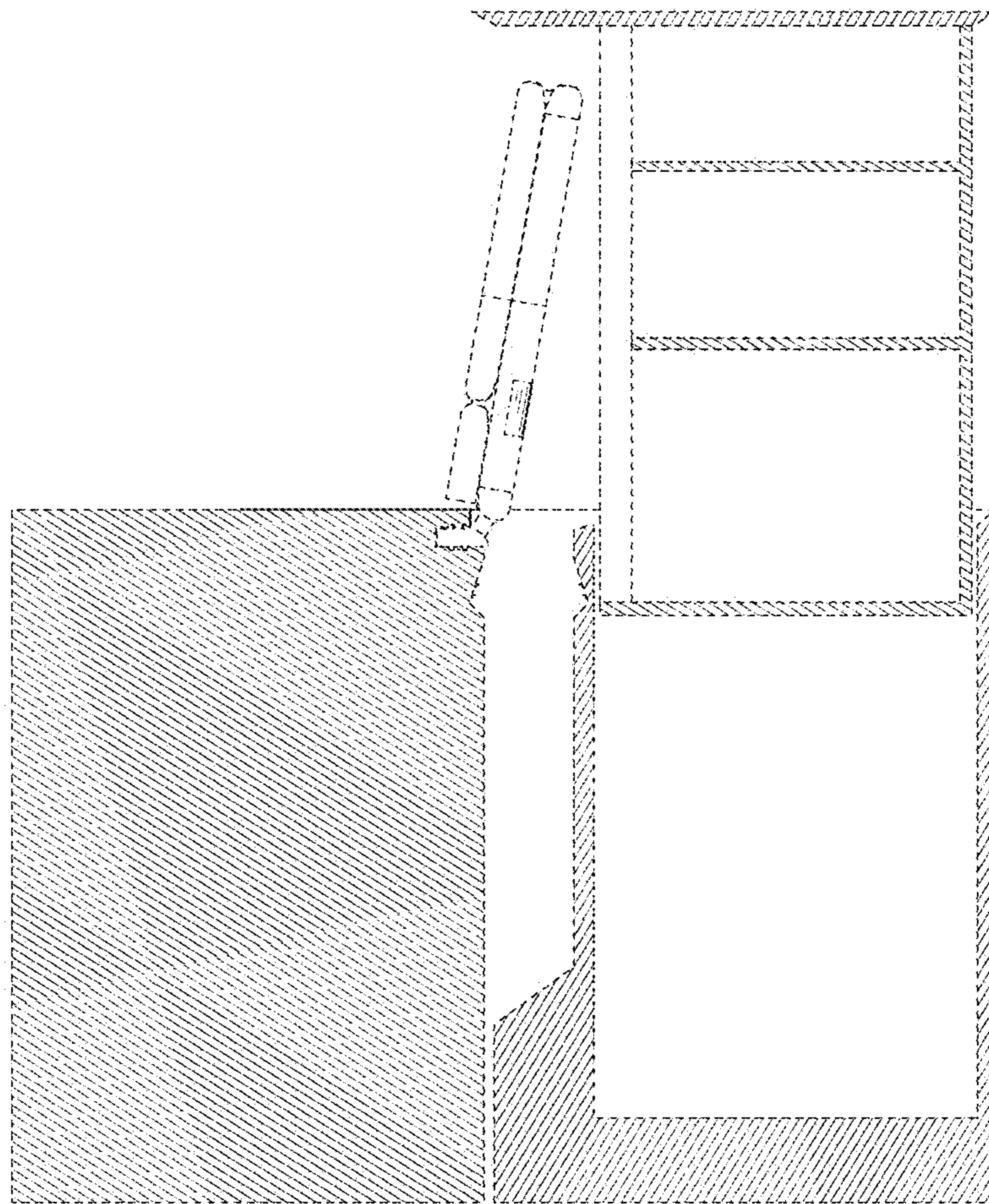


FIG. 17

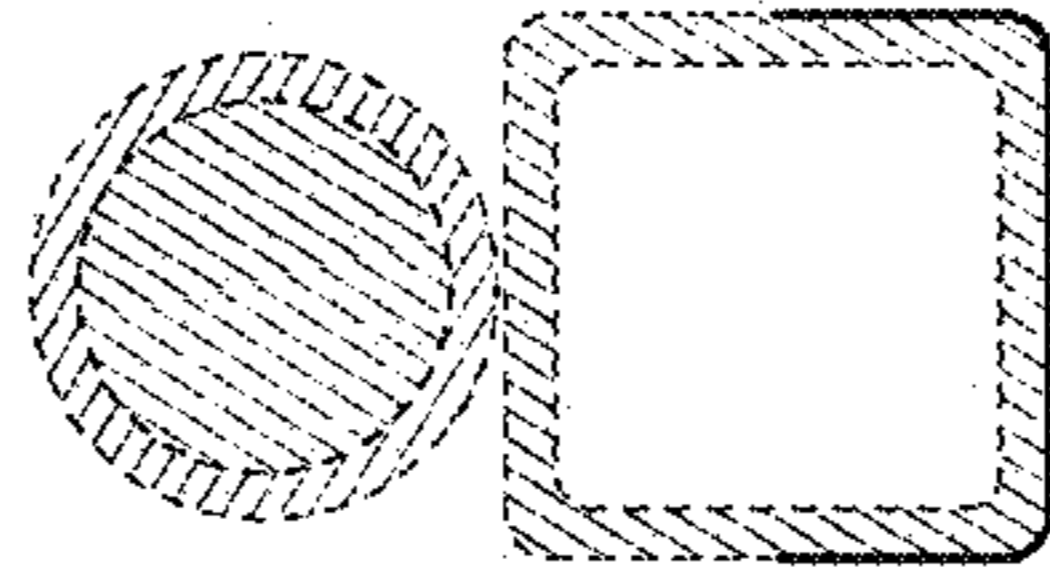


FIG. 18

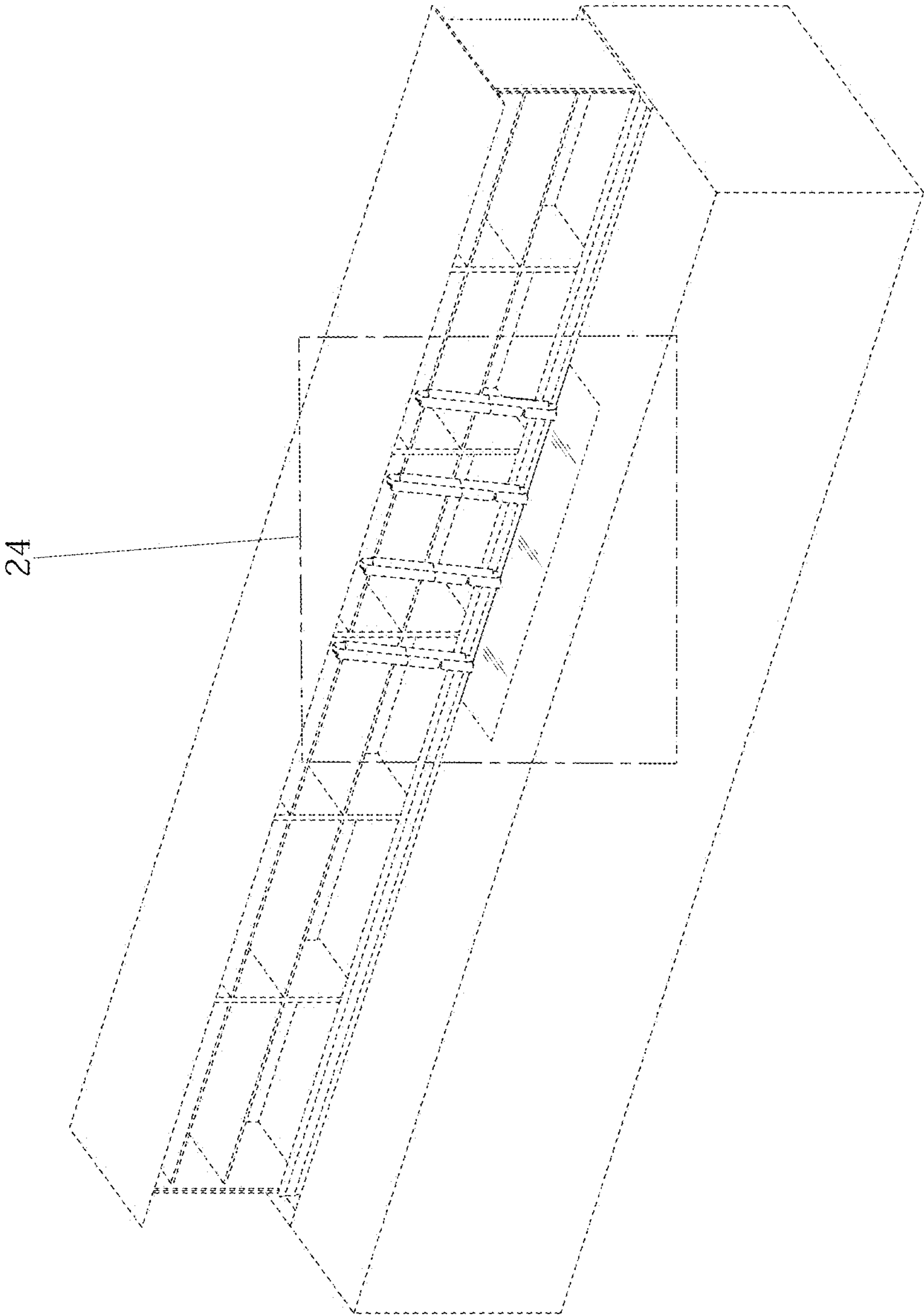


FIG. 19

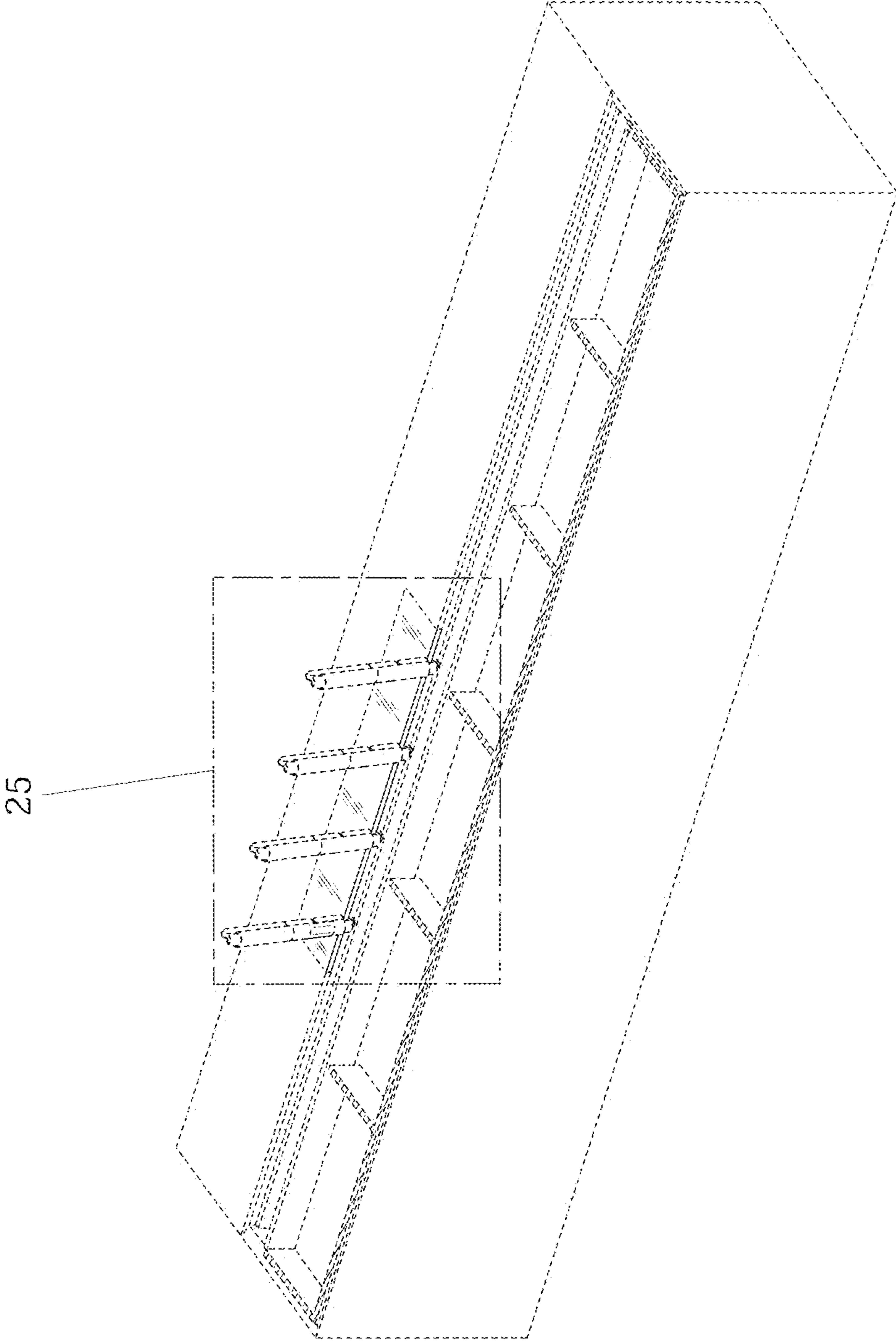


FIG. 20

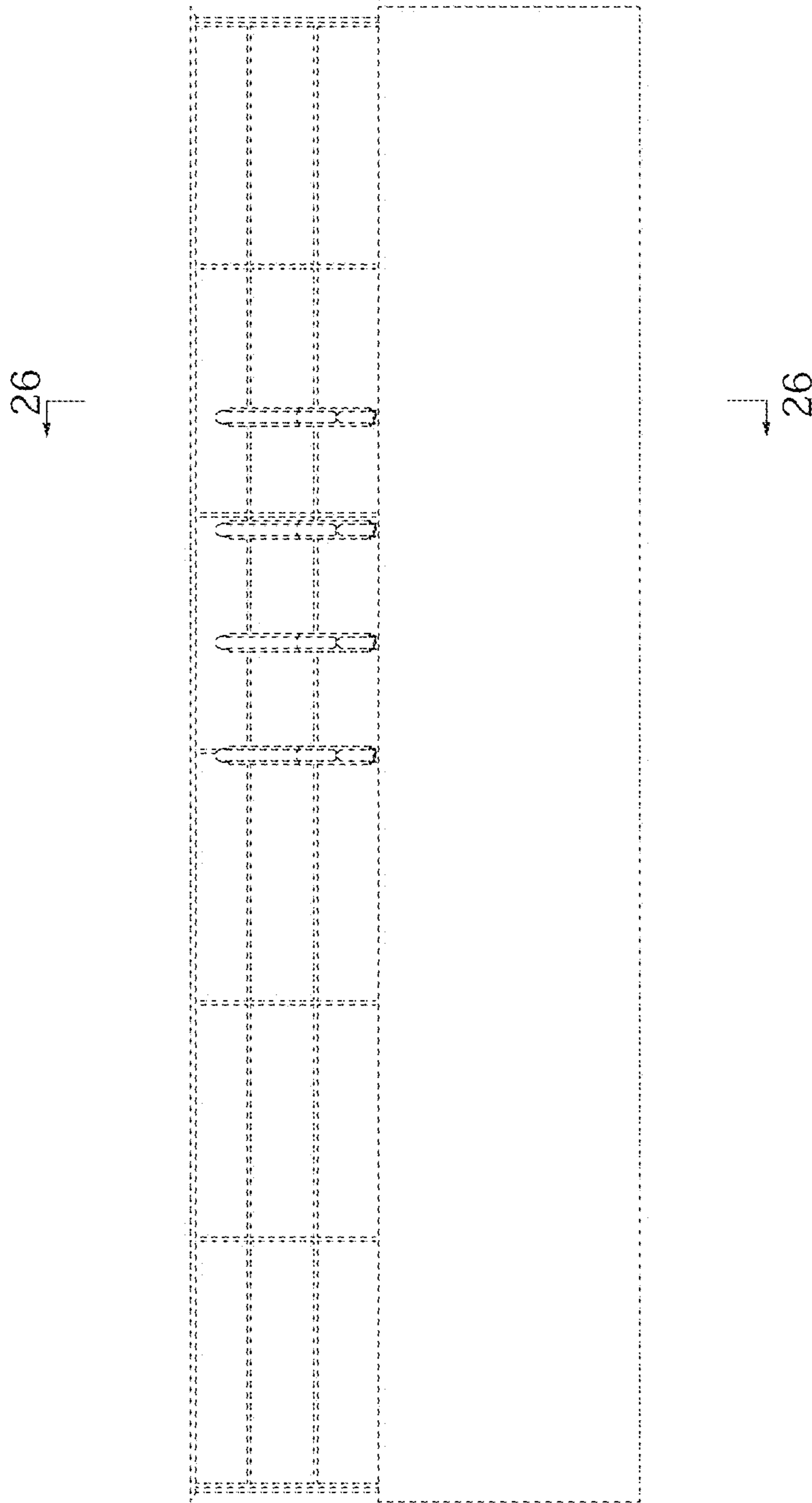


FIG. 21

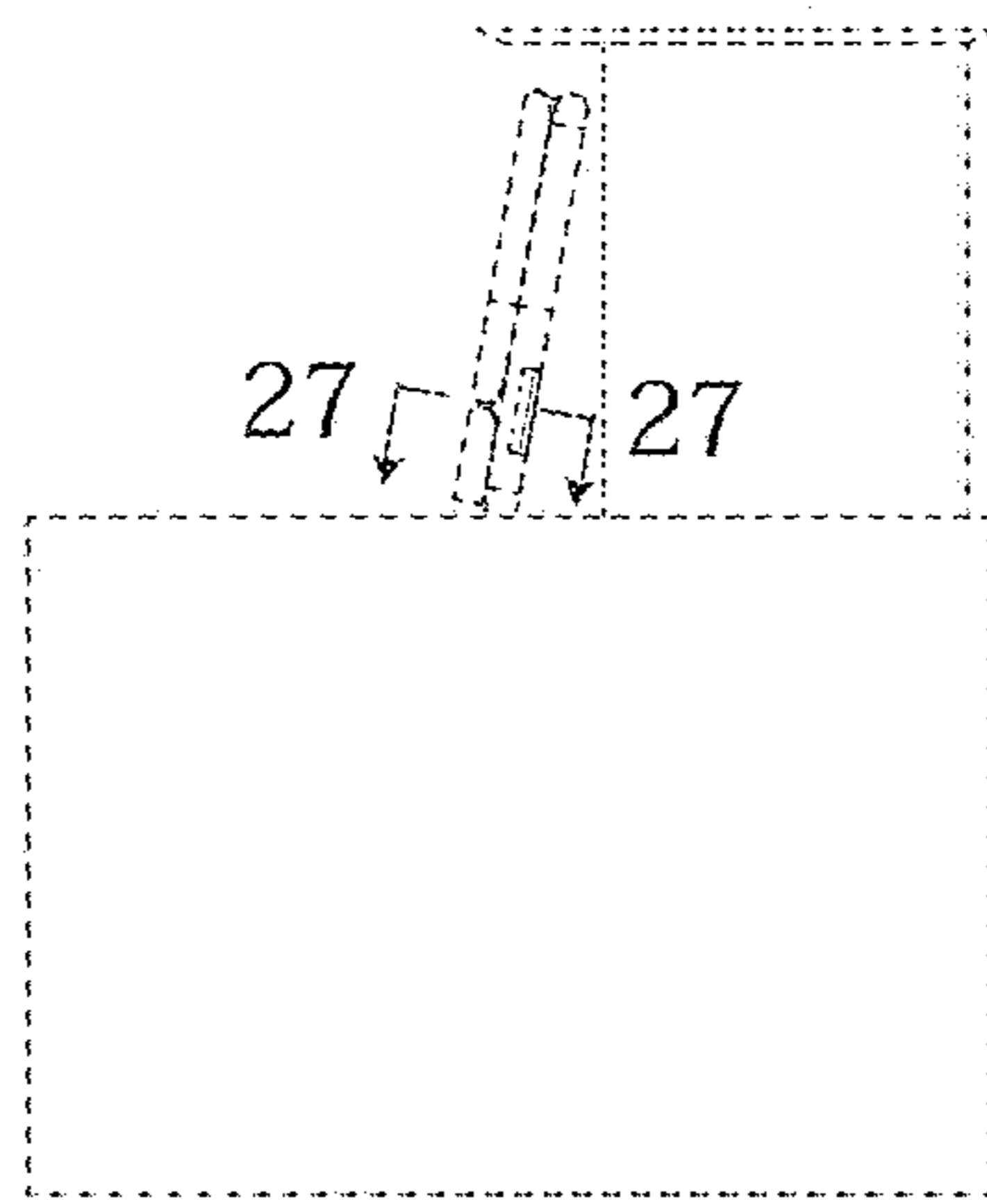


FIG. 22

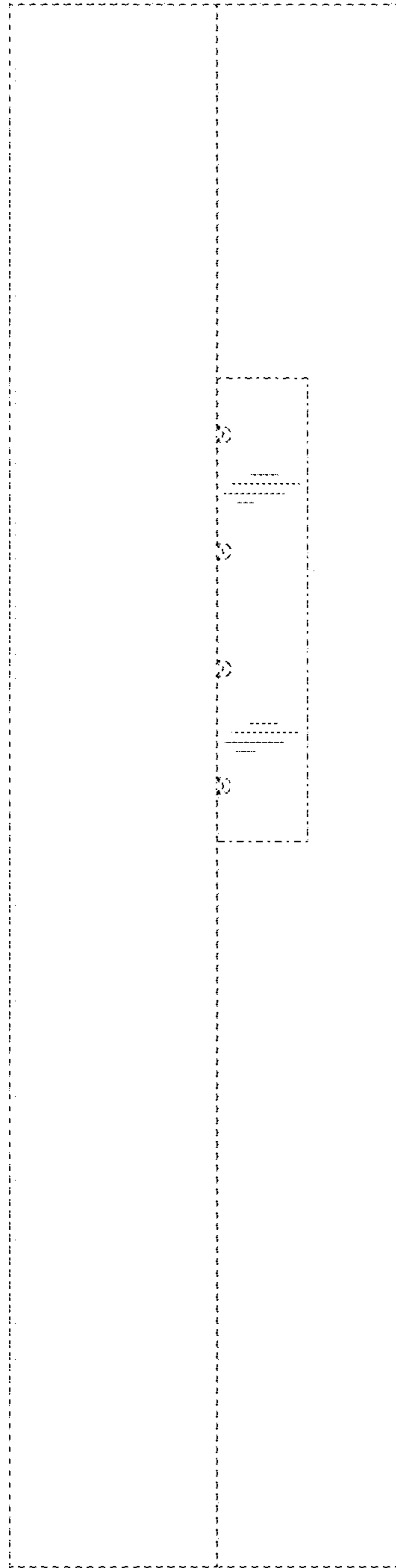


FIG. 23

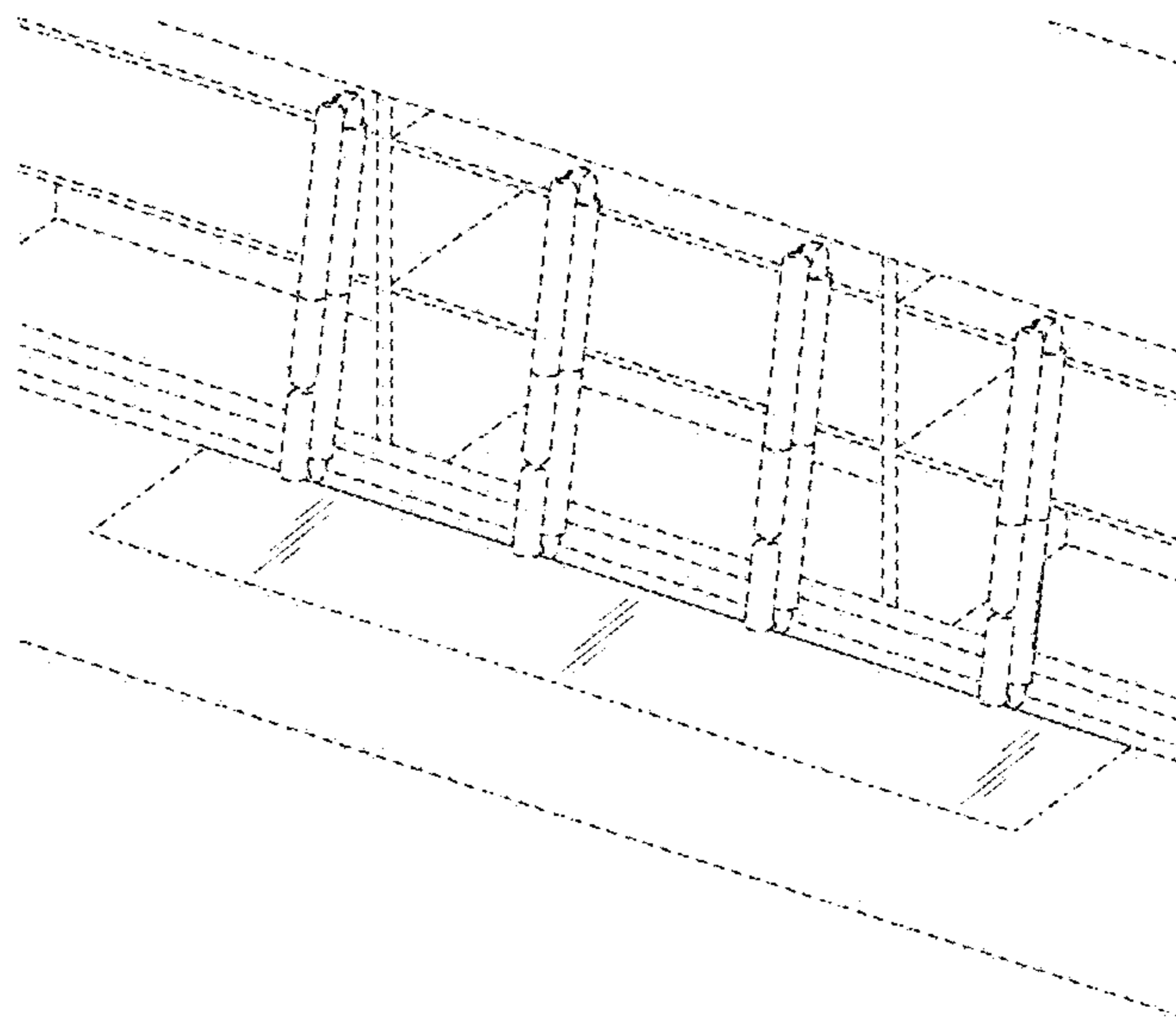


FIG. 24

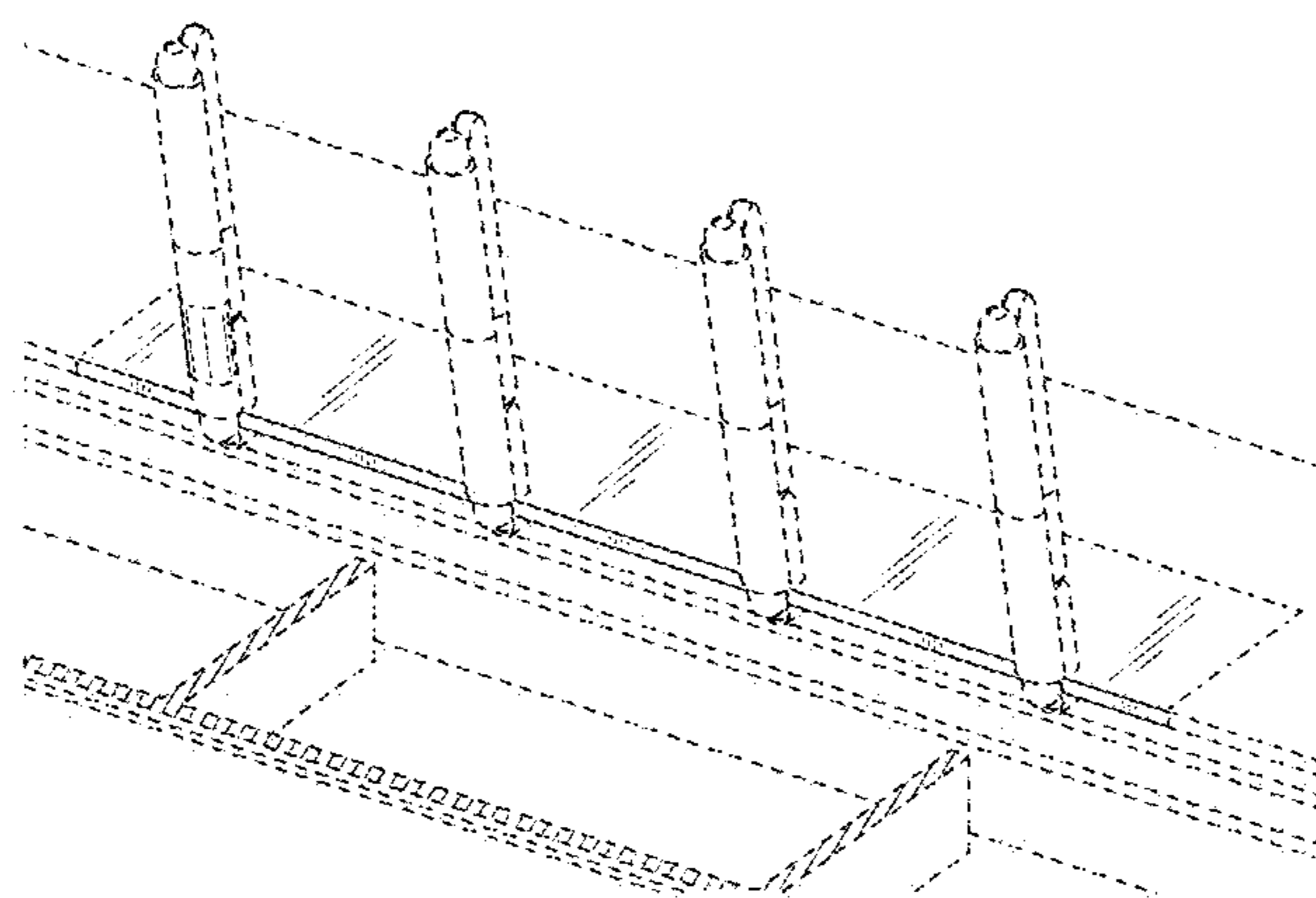


FIG. 25

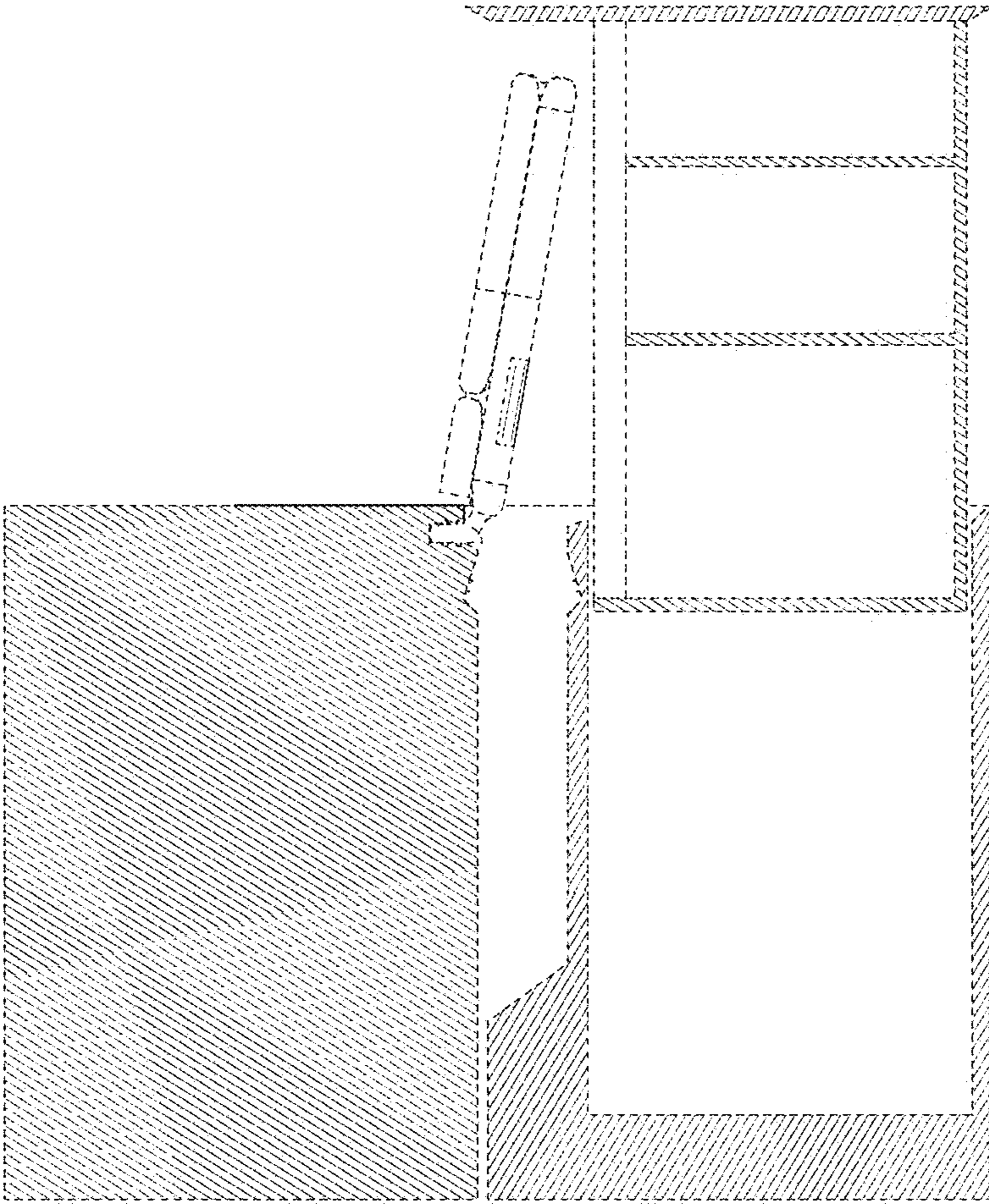


FIG. 26

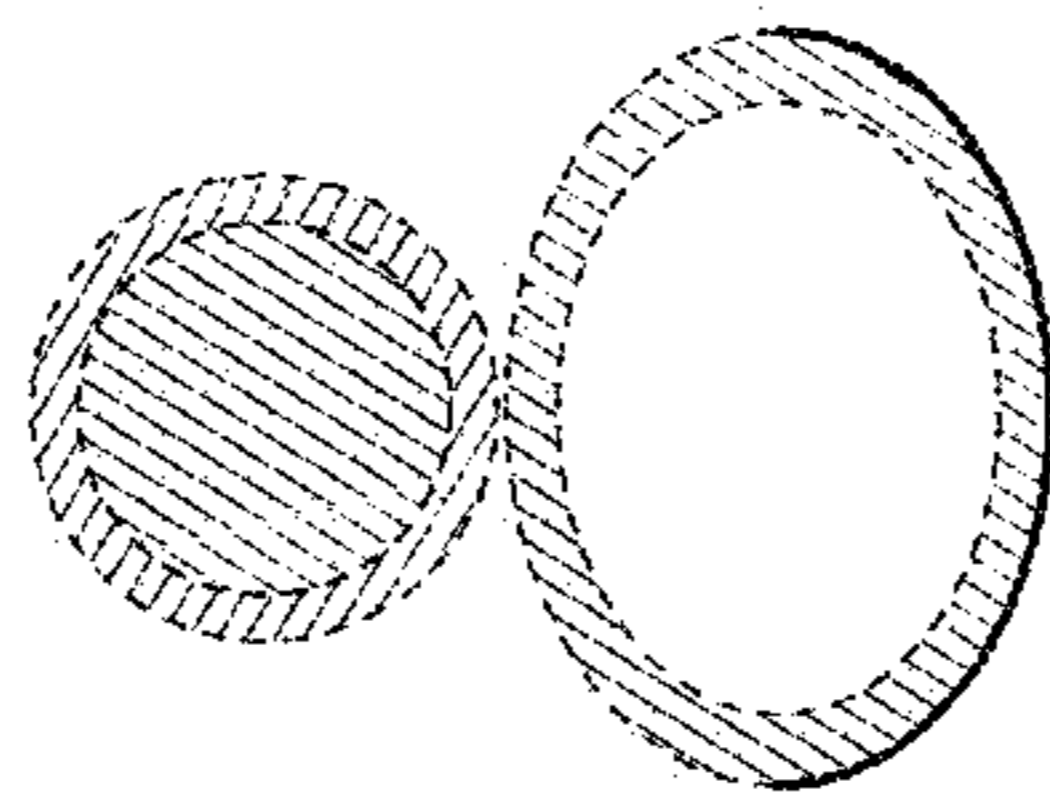


FIG. 27