



US00D926506S

(12) **United States Design Patent** (10) **Patent No.:** **US D926,506 S**
Li (45) **Date of Patent:** **** Aug. 3, 2021**

(54) **TABLE**
(71) Applicant: **Homy Casa Limited**, Hong Kong (HK)
(72) Inventor: **YueHai Li**, Guangzhou (CN)
(73) Assignee: **HOMY CASA LIMITED**, Hong Kong (HK)
(**) Term: **15 Years**
(21) Appl. No.: **29/701,170**
(22) Filed: **Aug. 8, 2019**
(51) **LOC (13) Cl.** **06-03**
(52) **U.S. Cl.**
USPC **D6/692**
(58) **Field of Classification Search**
USPC D6/349, 685, 686, 692, 692.1–692.6
CPC A47B 7/00; A47B 13/00; A47B 13/02;
A47B 13/04; A47B 13/06; A47B 13/08;
A47B 13/10; A47B 13/12; A47B 21/00;
A47B 2200/0001; A47B 2200/0011;
A47B 2200/002
See application file for complete search history.

D606,337 S * 12/2009 Lee D6/349
D722,799 S * 2/2015 Urban D6/692.4
D747,904 S * 1/2016 Haynes D6/692
D869,887 S * 12/2019 Vasiliou D6/692.6
D878,835 S * 3/2020 Davis A47B 13/02
D6/692.4
2017/0354243 A1* 12/2017 Egerhazy A47B 13/02

OTHER PUBLICATIONS

Round Cherry Table with Square Steel Base—Brooks Custom
https://brookscustom.com/portfolio-view/custom-furniture/29_round-walnut-table-square-steel-base/ retrieved from the internet on Mar. 23, 2021.*

* cited by examiner

Primary Examiner — Mary Ann Calabrese
(74) *Attorney, Agent, or Firm* — Hauptman Ham, LLP

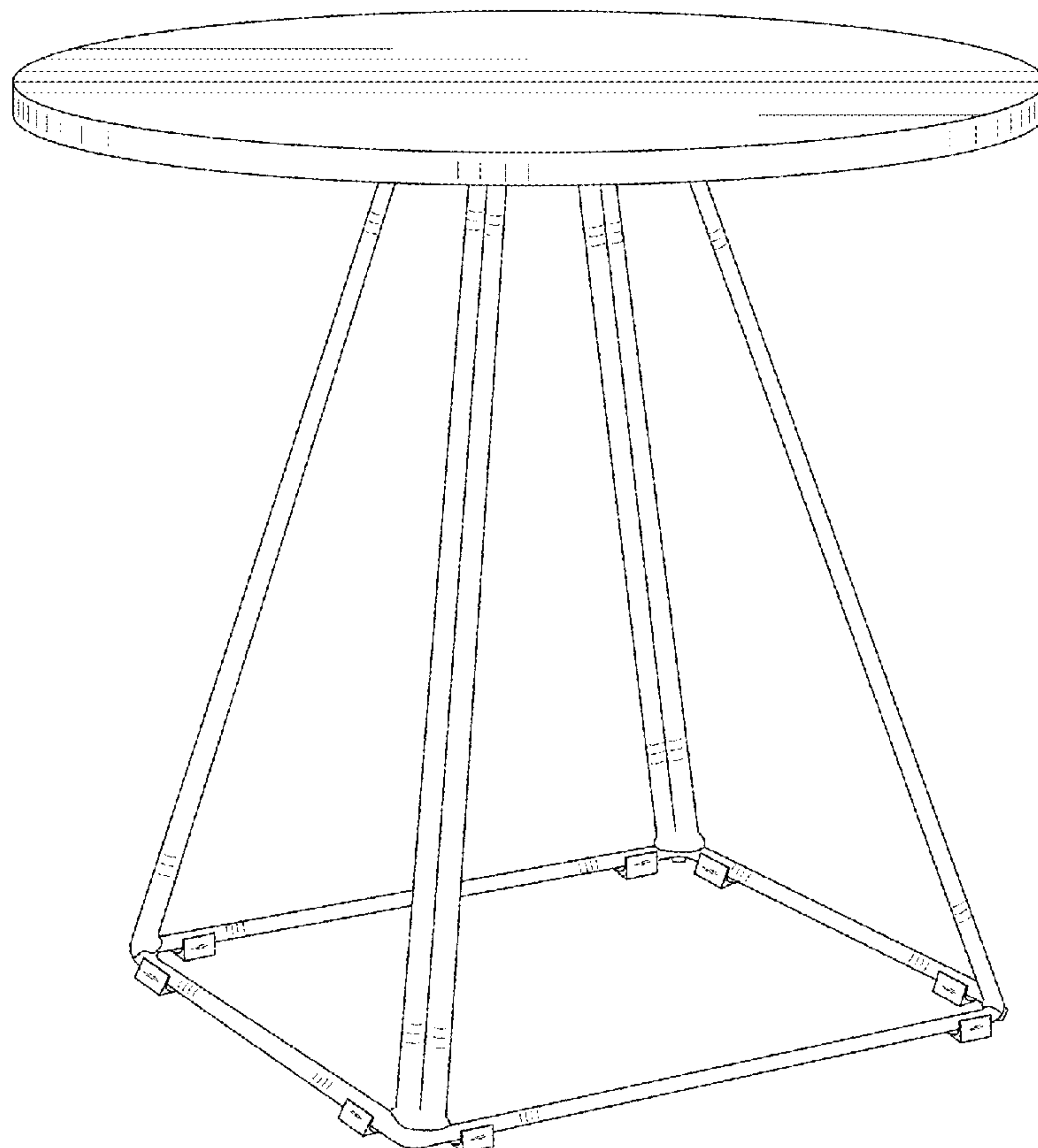
(57) **CLAIM**
The ornamental design for a table, as shown.

DESCRIPTION

FIG. 1 is a front view of a table bearing the design.
FIG. 2 is a back view of the table of FIG. 1.
FIG. 3 is a left side view of the table of FIG. 1.
FIG. 4 is a right side view of the table of FIG. 1.
FIG. 5 is a top view of the table of FIG. 1.
FIG. 6 is a bottom view of the table of FIG. 1; and,
FIG. 7 is a perspective view of the table of FIG. 1.

1 Claim, 7 Drawing Sheets

(56) **References Cited**
U.S. PATENT DOCUMENTS
D145,540 S * 9/1946 Sky D6/692
D557,524 S * 12/2007 Simpson D6/692.4



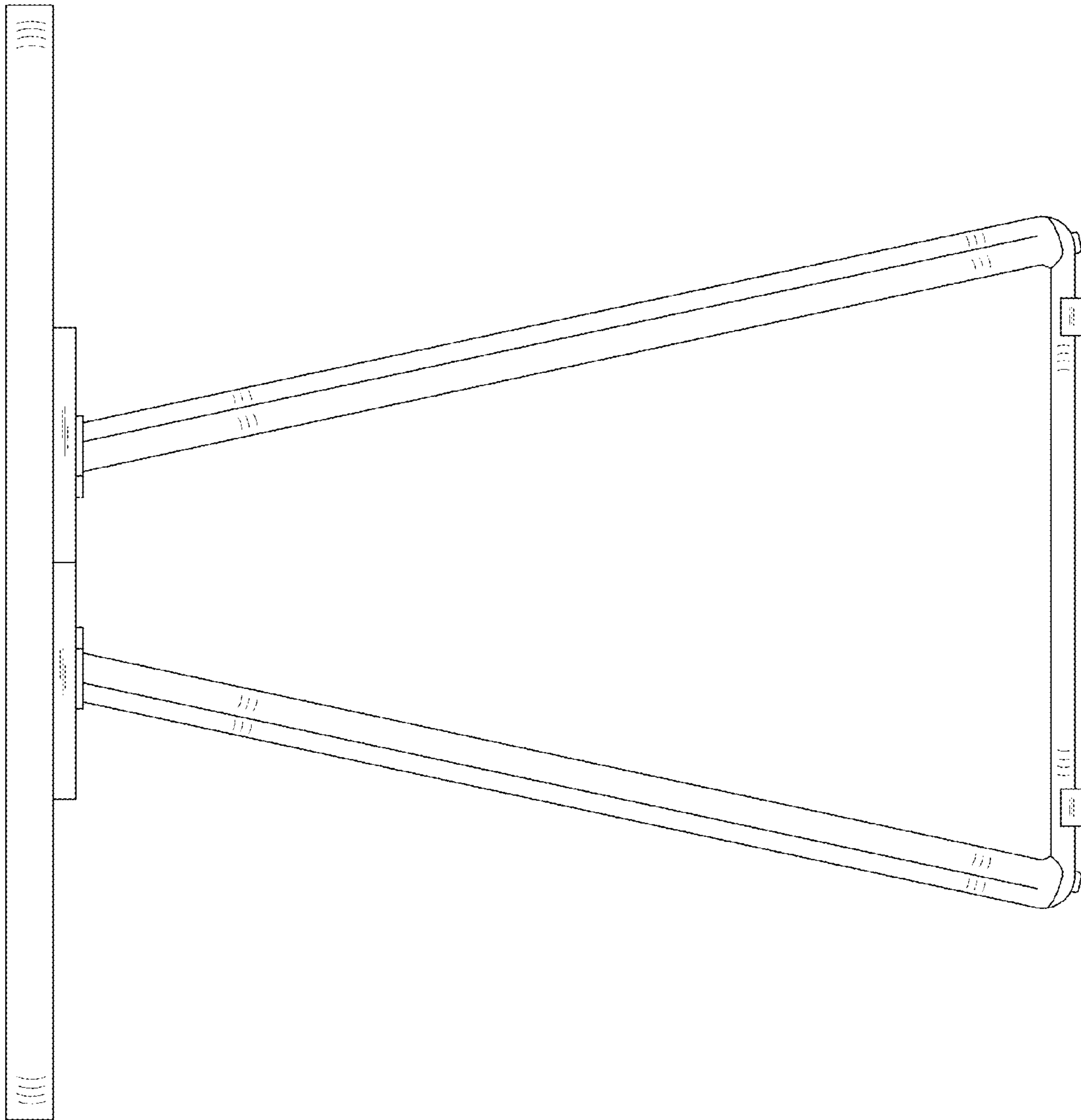


FIG. 1

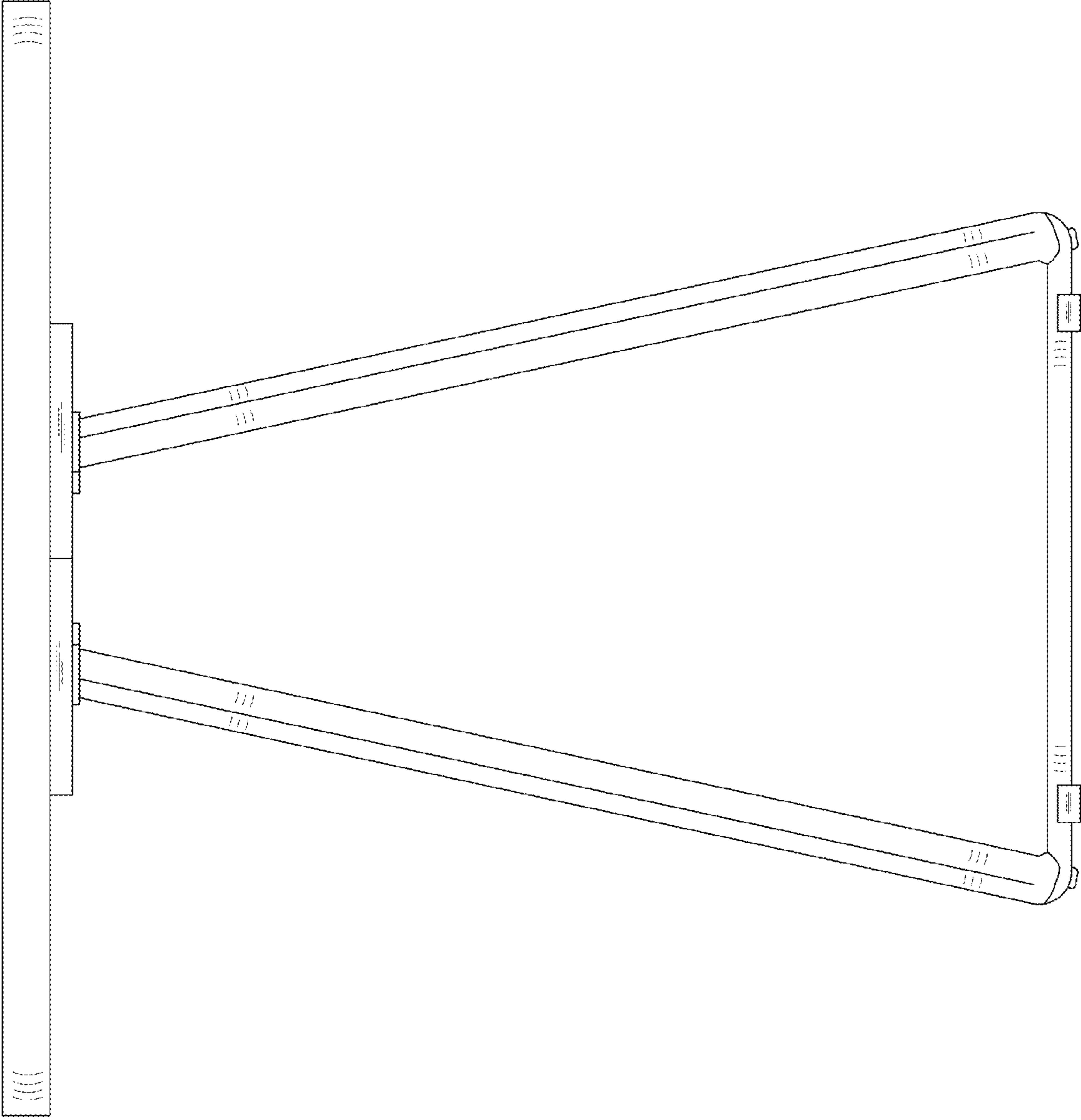


FIG. 2

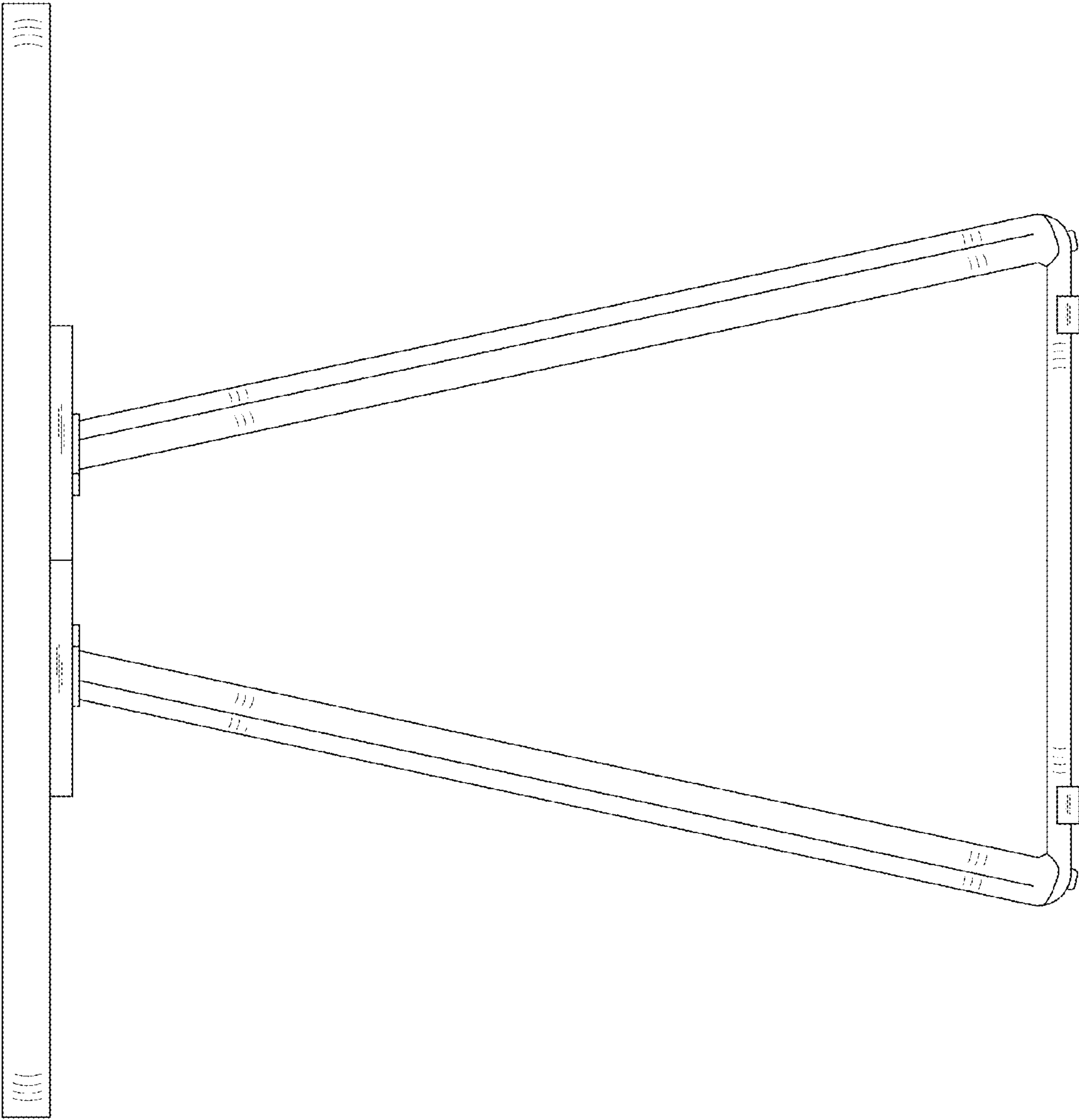


FIG. 3

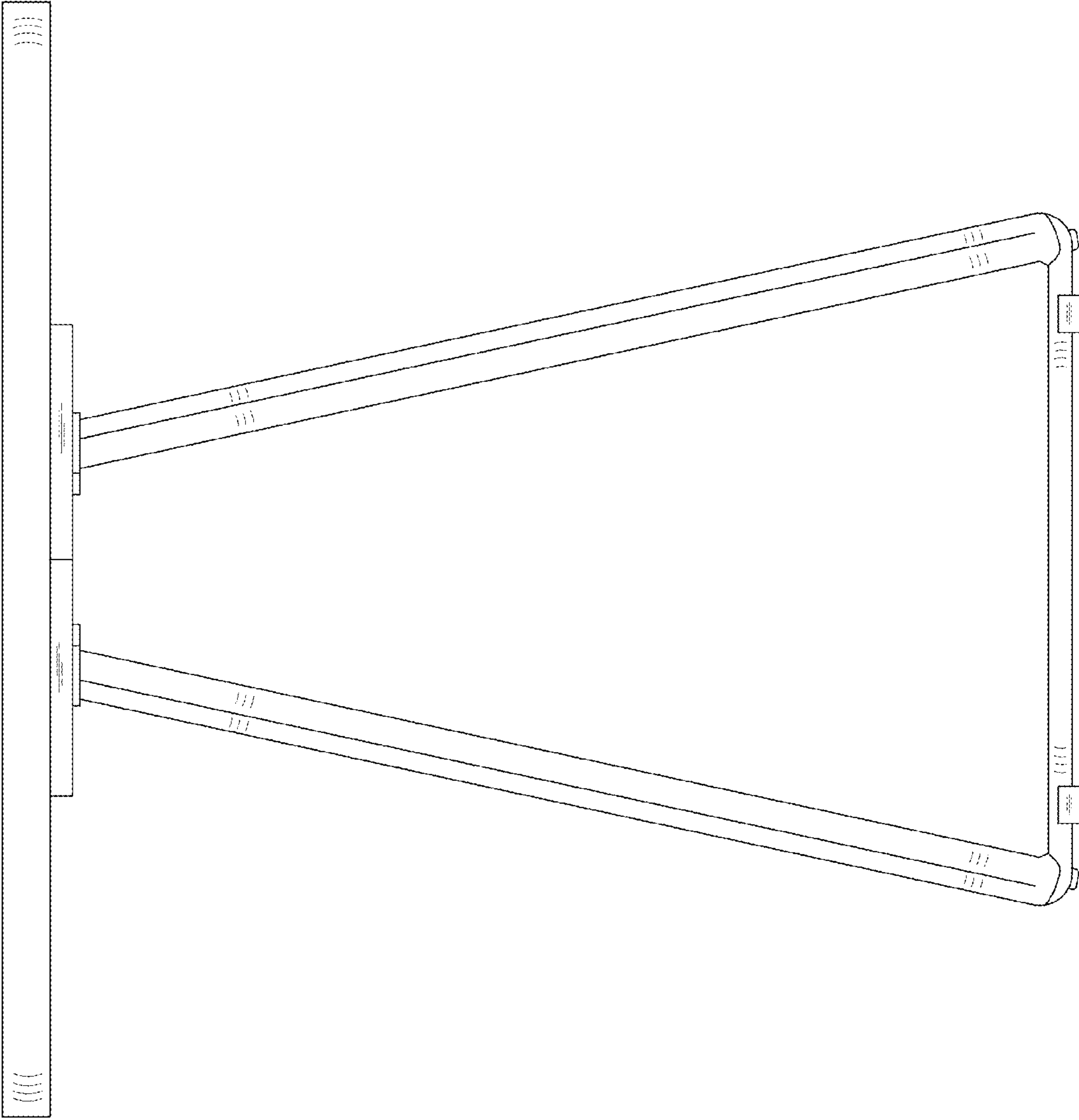


FIG. 4

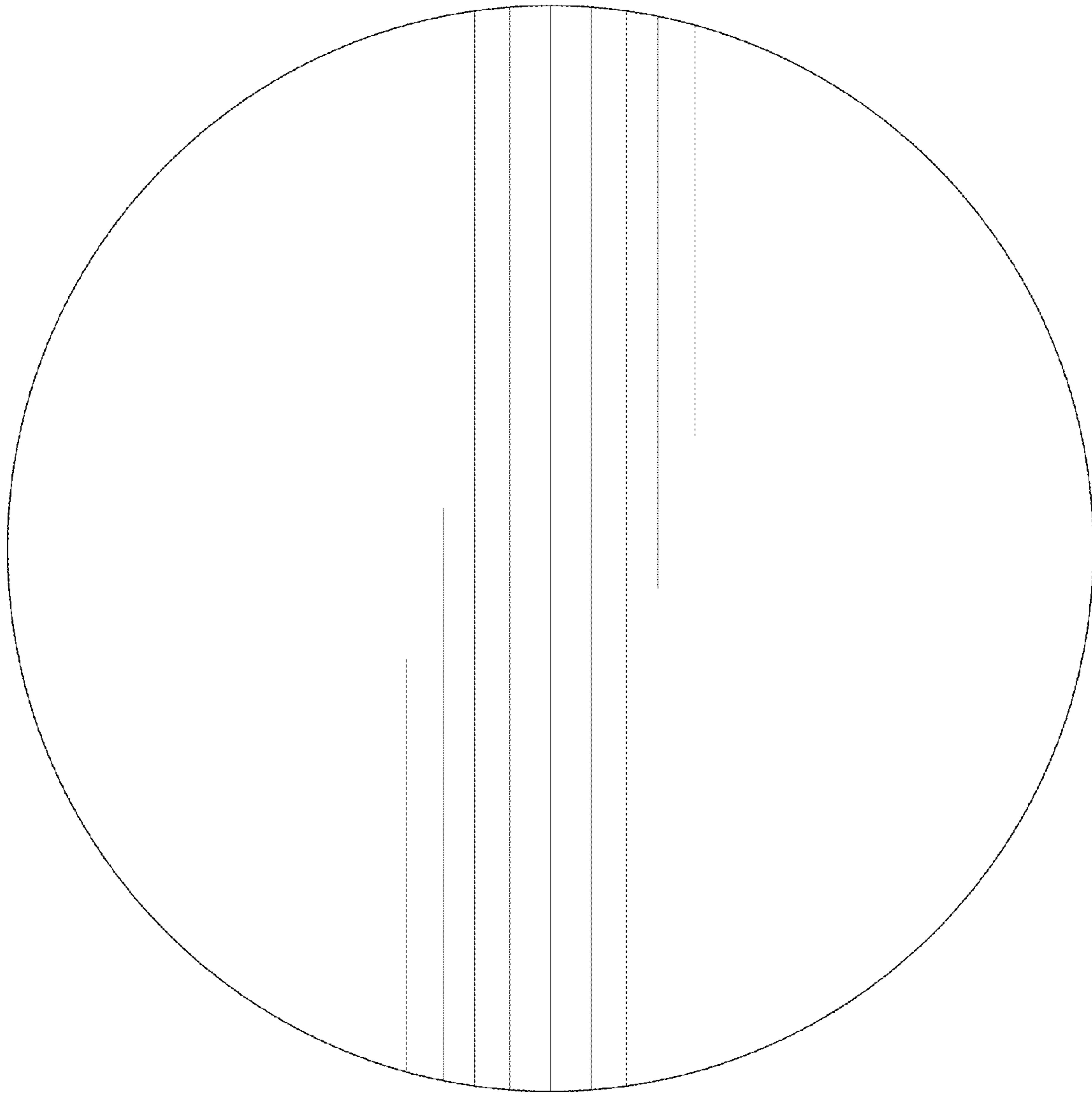


FIG. 5

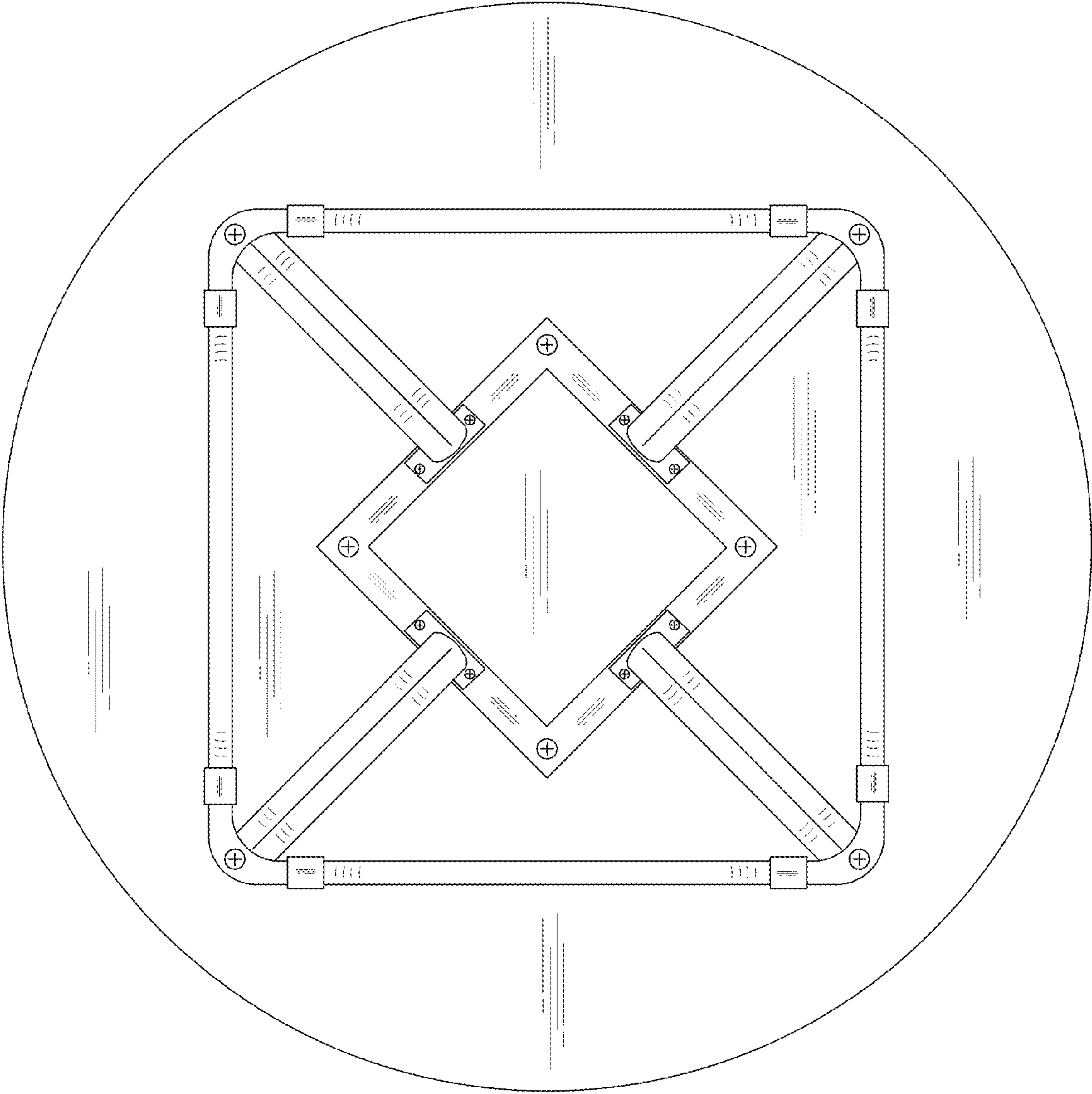


FIG. 6

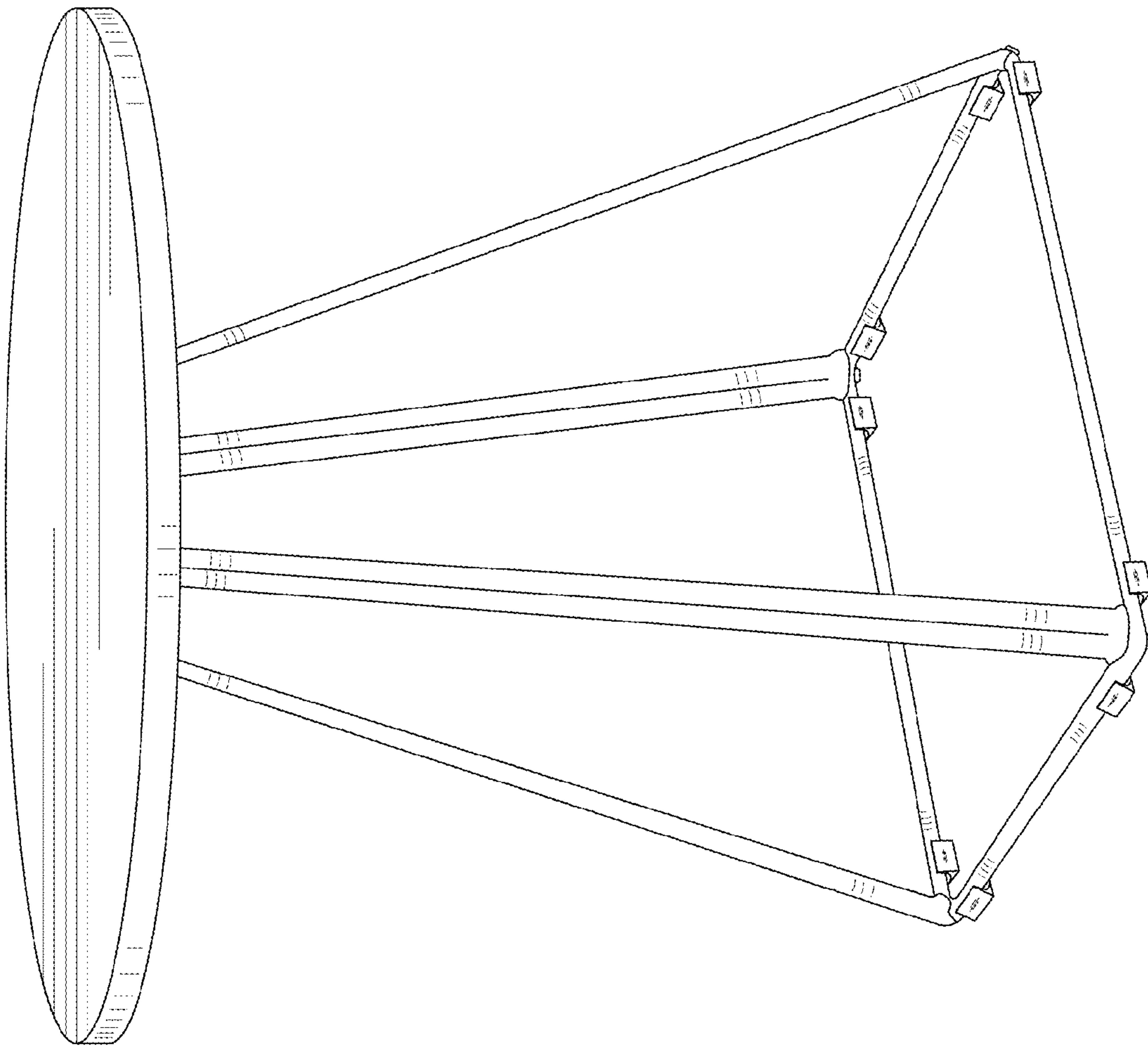


FIG. 7