



US00D926505S

(12) **United States Design Patent** (10) **Patent No.:** **US D926,505 S**
Akana et al. (45) **Date of Patent:** **** Aug. 3, 2021**

(54) **TABLE**

(71) Applicant: **Apple Inc.**, Cupertino, CA (US)

(72) Inventors: **Jody Akana**, San Francisco, CA (US); **Bartley K. Andre**, Palo Alto, CA (US); **Shota Aoyagi**, San Francisco, CA (US); **Anthony Michael Ashcroft**, San Francisco, CA (US); **Jeremy Bataillou**, San Francisco, CA (US); **Daniel J. Coster**, San Francisco, CA (US); **Daniele De Iuliis**, San Francisco, CA (US); **Christopher M. Green**, Woodside, CA (US); **M. Evans Hankey**, San Francisco, CA (US); **Julian Hoenig**, San Francisco, CA (US); **Richard P. Howarth**, San Francisco, CA (US); **Jonathan P. Ive**, San Francisco, CA (US); **Duncan Robert Kerr**, San Francisco, CA (US); **Kully Kraig Mandon**, San Francisco, CA (US); **Matthew Dean Rohrbach**, San Francisco, CA (US); **Peter Russell-Clarke**, San Francisco, CA (US); **Benjamin Andrew Shaffer**, San Jose, CA (US); **Jonathan P. Siegel**, San Francisco, CA (US); **Mikael Silvano**, San Francisco, CA (US); **Christopher J. Stringer**, Woodside, CA (US); **Eugene Antony Whang**, San Francisco, CA (US); **Rico Zörkendörfer**, San Francisco, CA (US)

(73) Assignee: **Apple Inc.**, Cupertino, CA (US)

(**) Term: **15 Years**

(21) Appl. No.: **29/691,606**

(22) Filed: **May 17, 2019**

Related U.S. Application Data

(63) Continuation of application No. 29/600,162, filed on Apr. 10, 2017, now Pat. No. Des. 848,773, which is (Continued)

(51) **LOC (13) Cl.** **06-04**

(52) **U.S. Cl.**
USPC **D6/691.1**

(58) **Field of Classification Search**
USPC D6/349, 672, 675, 685, 686, 691, D6/691.1-691.9

(Continued)

(56) **References Cited**

U.S. PATENT DOCUMENTS

D90,849 S 10/1933 Kayser
D96,986 S 9/1935 Jewell

(Continued)

OTHER PUBLICATIONS

Neil Hughes, "Apple retail stores 'bulging at the seams' at 8400 average square feet," Appleinsider.com, dated May 8, 2012, accessed at <http://appleinsider.com/articles/12/05/08/apple_retail_stores_bulging_at_the_seams_at_8400_average_square_feet>, accessed on Oct. 10, 2014, 2 pages.

(Continued)

Primary Examiner — Mary Ann Calabrese
(74) *Attorney, Agent, or Firm* — Sterne, Kessler, Goldstein & Fox P.L.L.C.

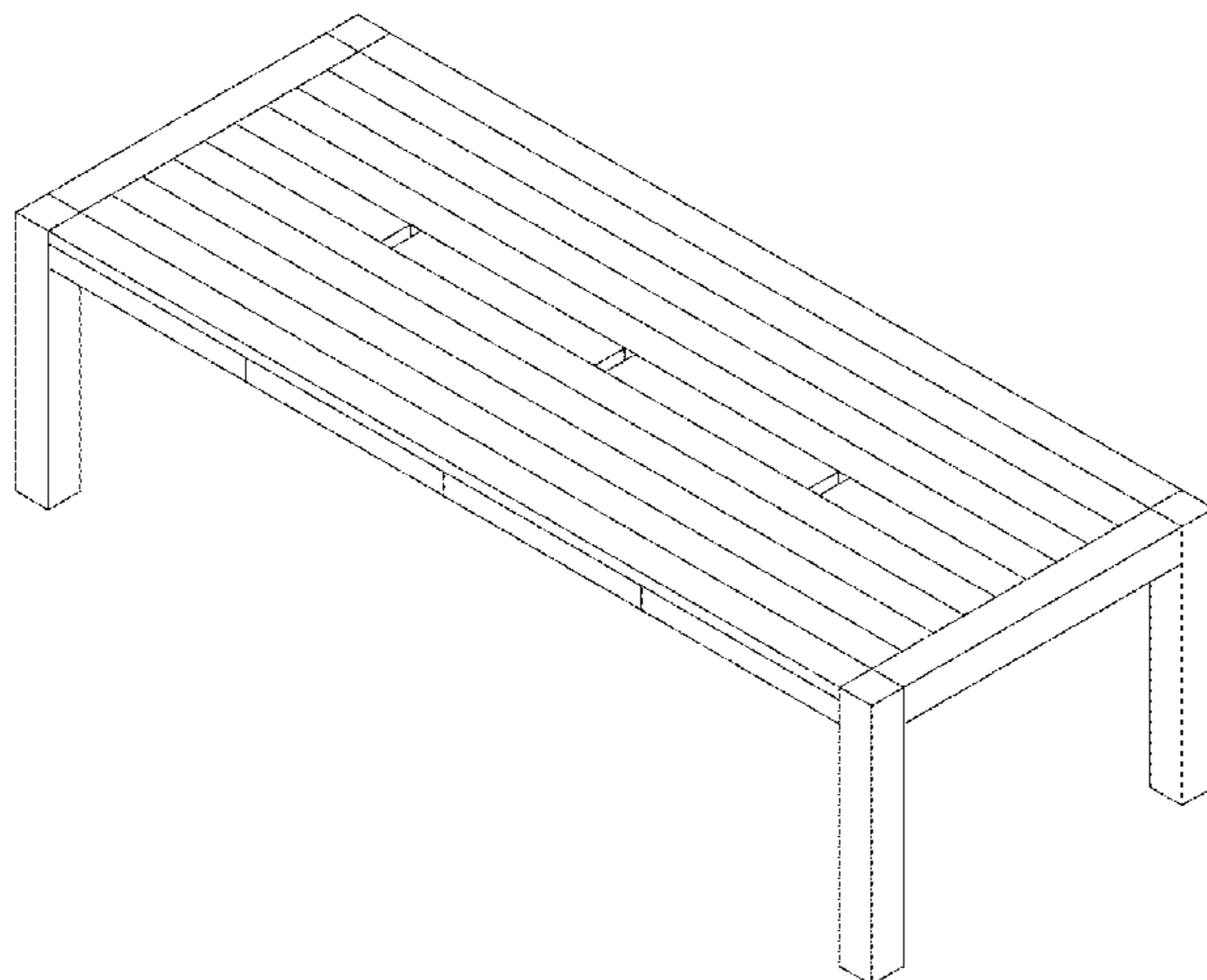
(57) **CLAIM**

The ornamental design for a table, as shown and described.

DESCRIPTION

FIG. 1 is a front perspective view of a table showing the claimed design;
FIG. 2 is a rear perspective view thereof;
FIG. 3 is a front view thereof
FIG. 4 is a rear view thereof;
FIG. 5 is a left side view thereof;
FIG. 6 is a right side view thereof;
FIG. 7 is a top view thereof; and,
FIG. 8 is a bottom view thereof.

1 Claim, 7 Drawing Sheets



Related U.S. Application Data

a continuation of application No. 29/577,887, filed on Sep. 16, 2016, now Pat. No. Des. 783,324, which is a continuation of application No. 29/501,841, filed on Sep. 9, 2014, now Pat. No. Des. 766,633, and a continuation of application No. 29/500,951, filed on Aug. 29, 2014, now Pat. No. Des. 766,631, and a continuation of application No. 29/495,788, filed on Jul. 3, 2014, now Pat. No. Des. 766,632, and a continuation of application No. 29/493,879, filed on Jun. 13, 2014, now Pat. No. Des. 766,630, which is a continuation of application No. 29/500,951, filed on Aug. 29, 2014, now Pat. No. Des. 766,631, which is a continuation-in-part of application No. 29/495,788, filed on Jul. 3, 2014, now Pat. No. Des. 766,632, which is a continuation of application No. 29/493,879, filed on Jun. 13, 2014, now Pat. No. Des. 766,630.

(58) **Field of Classification Search**

CPC A47B 7/00; A47B 13/00; A47B 13/02; A47B 13/04; A47B 13/06; A47B 13/08; A47B 13/10; A47B 13/12; A47B 21/001; A47B 2200/0001; A47B 2200/0011; A47B 2200/002; A47F 3/00; A47F 5/00
See application file for complete search history.

(56) **References Cited**

U.S. PATENT DOCUMENTS

3,289,616 A	12/1966	Donihi	
D221,238 S	7/1971	Gianfagna	
D245,135 S	7/1977	Saltz et al.	
D330,132 S	10/1992	Shields	
D385,728 S	11/1997	Mulligan et al.	
D414,354 S	9/1999	Gower	
D442,391 S	5/2001	Wu	
D448,211 S	9/2001	Schulte et al.	
D484,717 S	1/2004	de Blois	
D516,842 S	3/2006	Cross	
D522,274 S	6/2006	Coval	
D527,928 S	9/2006	Spector et al.	
D556,473 S	12/2007	Good	
D558,489 S *	1/2008	Christensen	D6/691.5
D584,072 S	1/2009	Mohundro	
D591,079 S	4/2009	Singler et al.	
D591,979 S	5/2009	Singler et al.	
D657,978 S	4/2012	Hamm et al.	
D678,696 S	3/2013	Hamm et al.	

D679,521 S	4/2013	Hamm et al.	
D688,494 S	8/2013	Hamm et al.	
D693,156 S	11/2013	Hamm et al.	
D713,658 S	9/2014	Tio et al.	
D724,388 S	3/2015	Smeja	
D725,947 S	4/2015	Tio et al.	
D728,281 S	5/2015	Heirakuji et al.	
D729,560 S	5/2015	Hamm et al.	
D734,078 S	7/2015	Bougay	
D734,965 S	7/2015	Tio et al.	
9,095,209 B2 *	8/2015	Mirth	A47B 13/003
D742,666 S	11/2015	Akana et al.	
D753,418 S	4/2016	Hsu	
D758,106 S	6/2016	Hamm et al.	
D766,630 S	9/2016	Akana et al.	
D766,631 S	9/2016	Akana et al.	
D766,632 S	9/2016	Akana et al.	
D766,633 S	9/2016	Akana et al.	
D767,310 S	9/2016	Akana et al.	
D769,654 S	10/2016	Akana et al.	
D776,471 S	1/2017	Mandon et al.	
D783,324 S *	4/2017	Akana	A47B 13/003 D6/691.1
D790,262 S *	6/2017	Akana	D6/691
D799,250 S	10/2017	Schwalbach et al.	
D810,476 S *	2/2018	Heirakuji	D6/675
D823,013 S *	7/2018	Burden	H02J 7/0042 D6/349
D823,621 S	7/2018	Everson et al.	
D827,339 S	9/2018	Clark et al.	
D833,189 S	11/2018	Inovero	
D848,773 S *	5/2019	Akana	A47B 88/407 D6/702
D887,152 S *	6/2020	Kuo	D6/335
2010/0043679 A1	2/2010	Laws et al.	
2012/0154297 A1	6/2012	Schultz et al.	
2012/0304897 A1 *	12/2012	Williamson	A47B 3/0803 108/50.11
2015/0320203 A1	11/2015	Mandon et al.	
2016/0058173 A1 *	3/2016	Green	A47B 88/407 108/26
2016/0058206 A1 *	3/2016	Schwalbach	H02J 7/0042 361/752
2016/0064996 A1	3/2016	Green et al.	

OTHER PUBLICATIONS

Valentina Palladino, "Apple Store Receives Trademark for 'Distinctive Design and Layout,'" Wired.com, dated Jan. 30, 2013, accessed at <<http://www.wired.com/2013/01/apple-store-trademark/>>, accessed on Oct. 10, 2014, 2 pages.

* cited by examiner

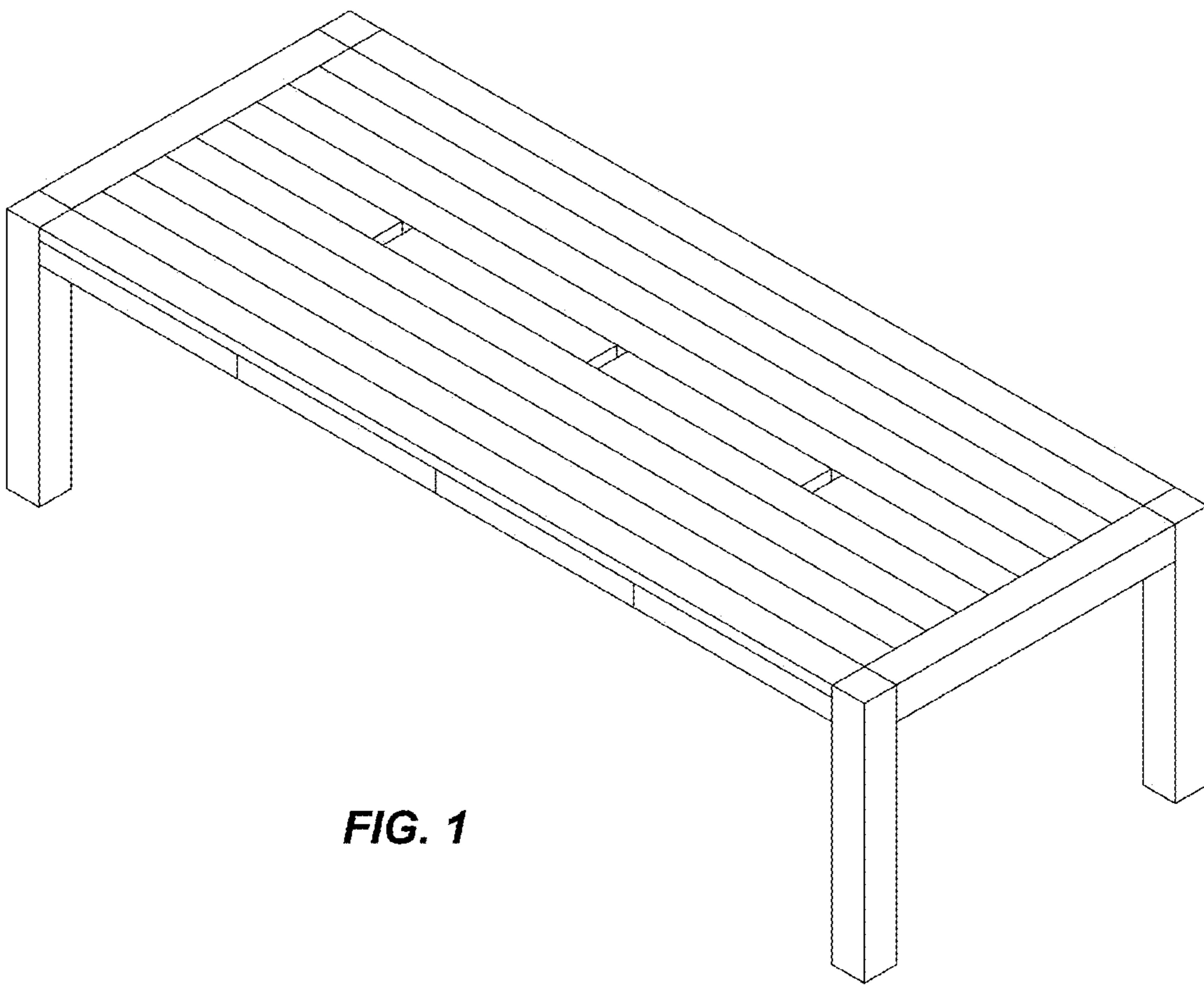


FIG. 1

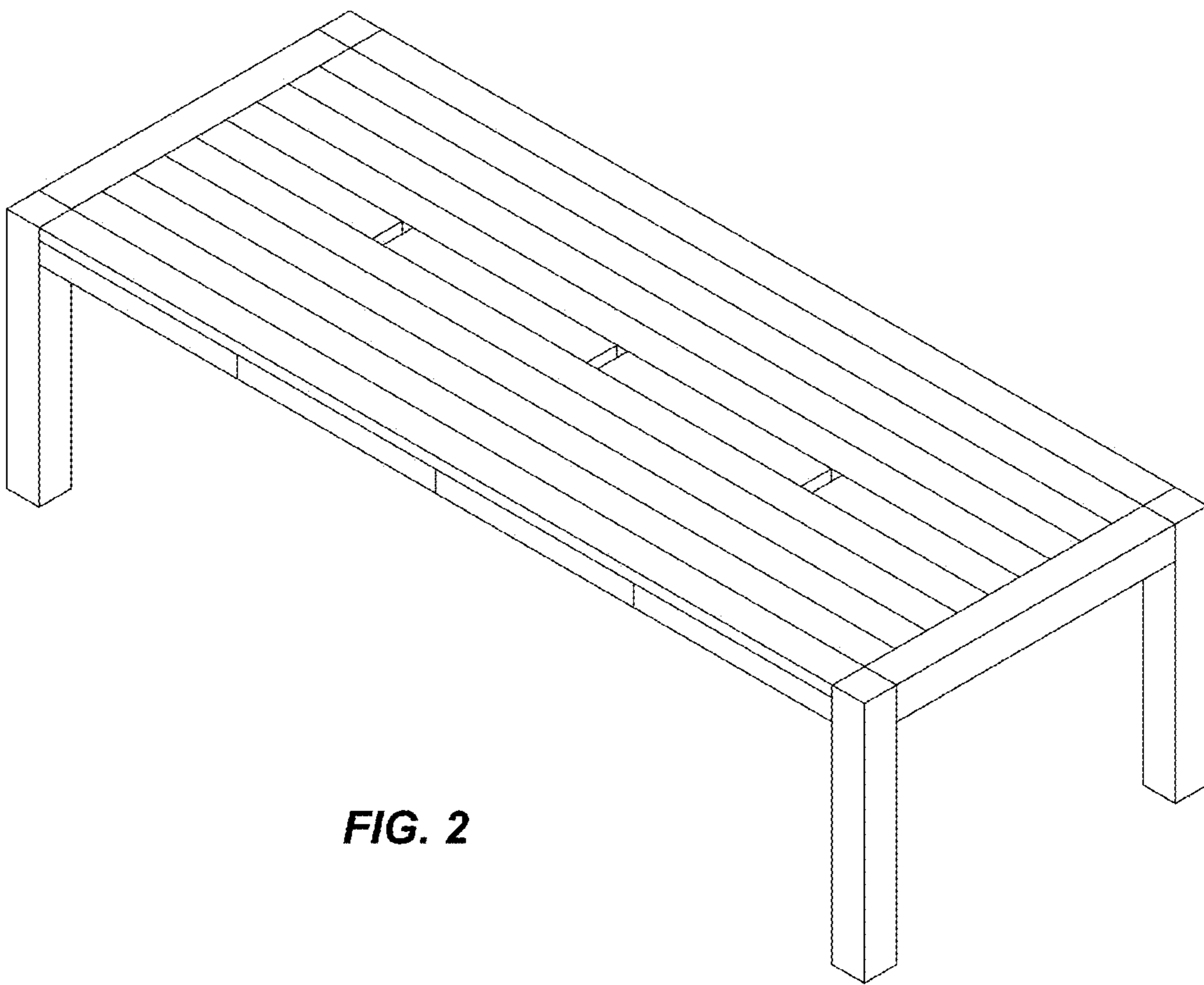


FIG. 2

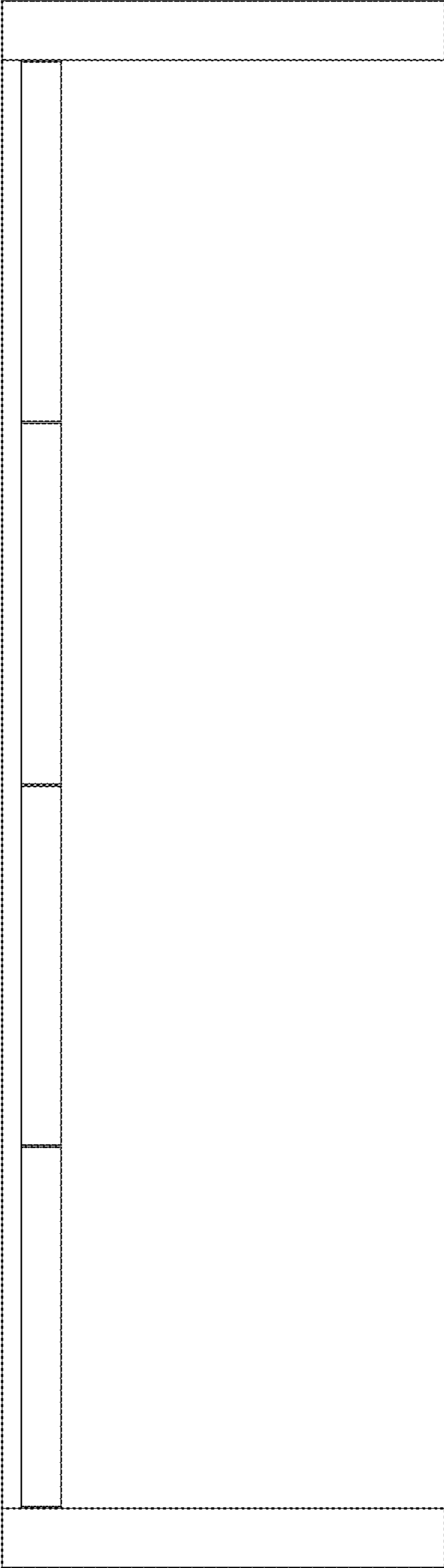


FIG. 3

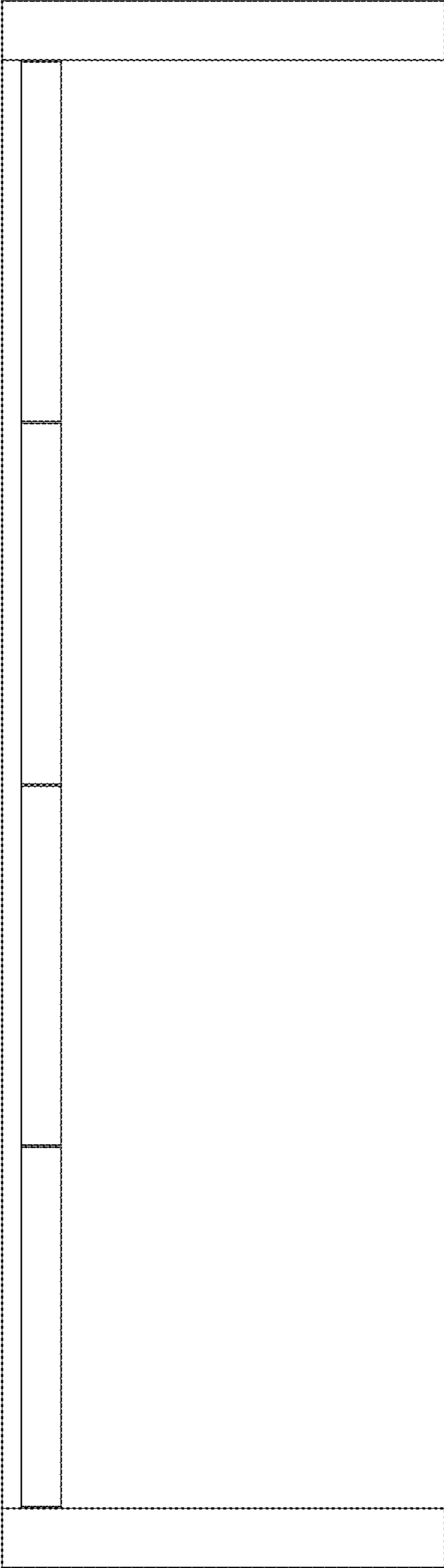


FIG. 4



FIG. 5

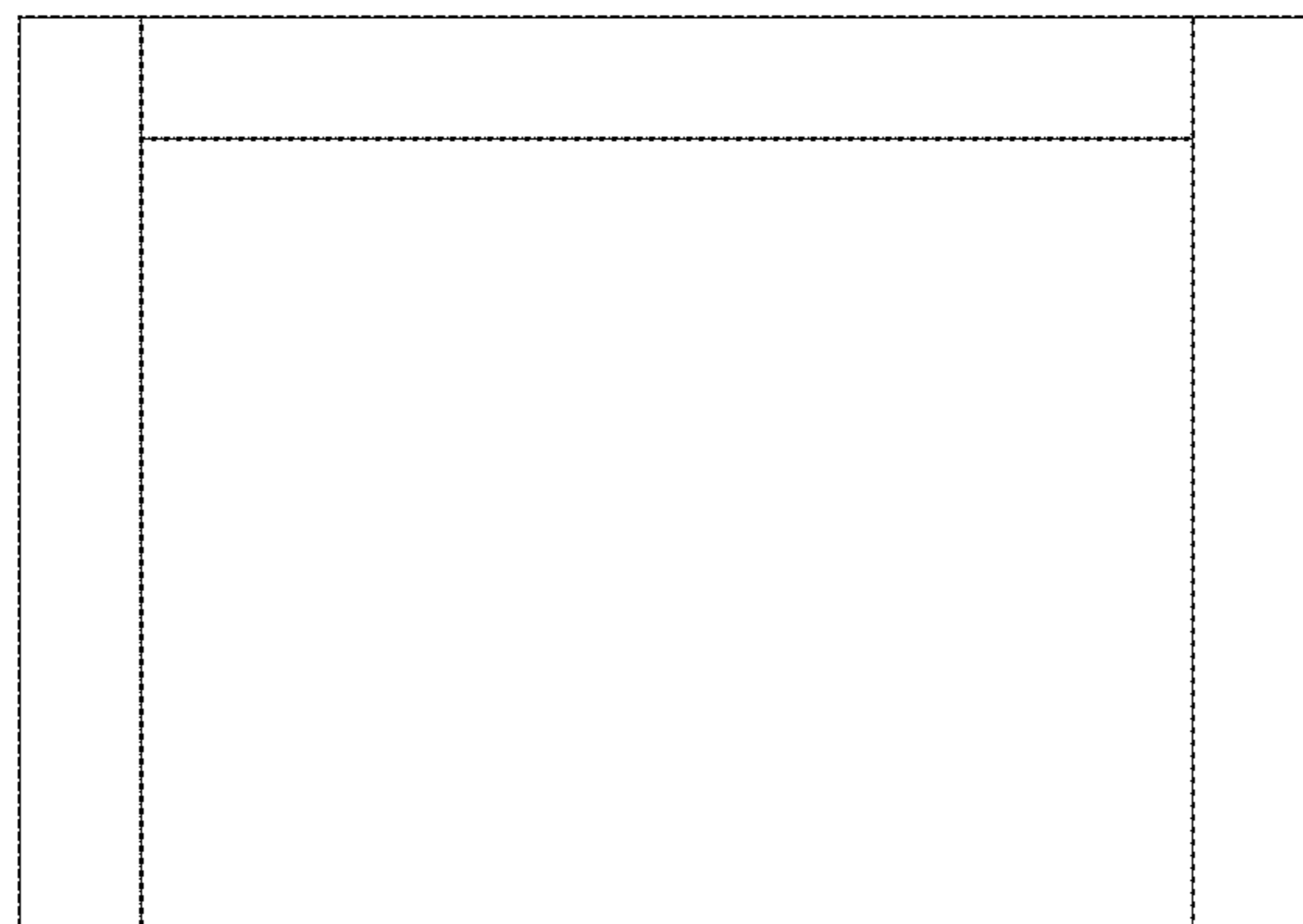


FIG. 6

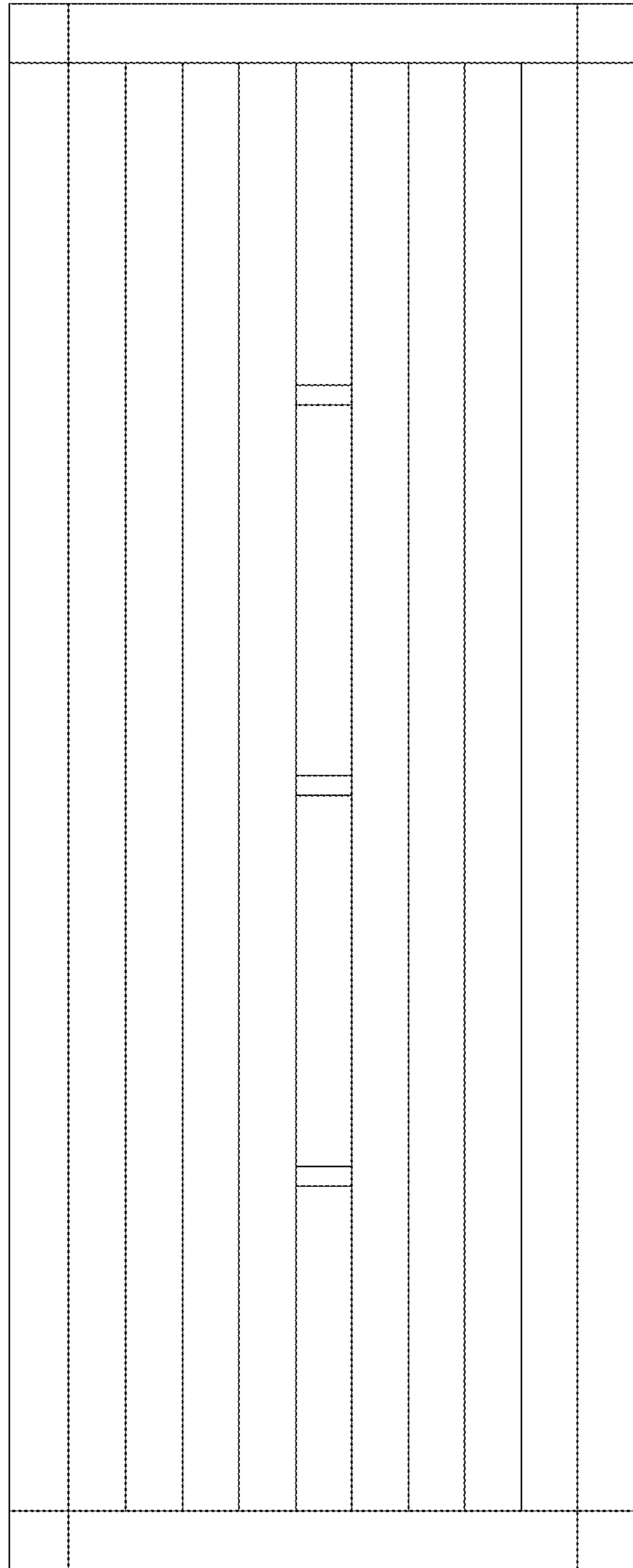


FIG. 7

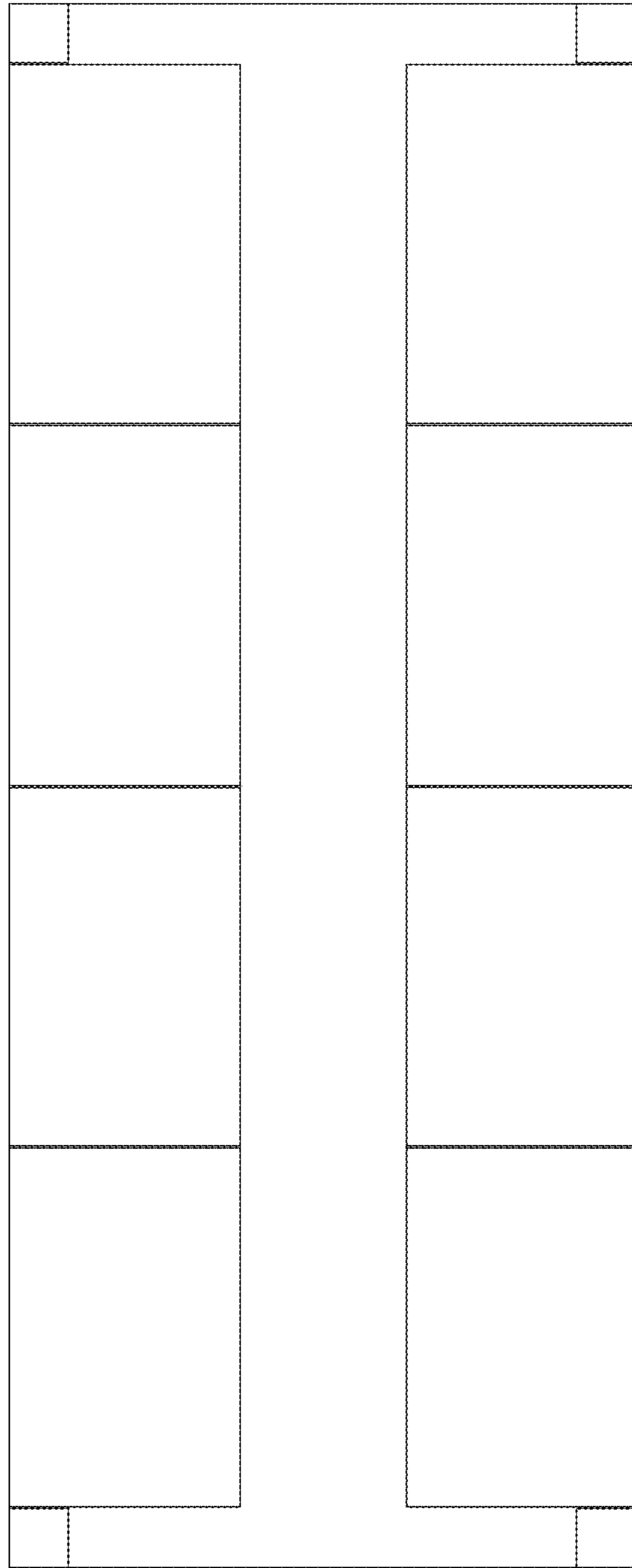


FIG. 8