



US00D926504S

(12) **United States Design Patent**
Van Faasen et al.

(10) **Patent No.:** **US D926,504 S**

(45) **Date of Patent:** **** Aug. 3, 2021**

(54) **TABLE**

(71) Applicant: **HERMAN MILLER, INC.**, Zeeland, MI (US)

(72) Inventors: **Joel Graham Van Faasen**, Holland, MI (US); **Joshua DeWys**, Marne, MI (US)

(73) Assignee: **HERMAN MILLER, INC.**, Zeeland, MI (US)

(**) Term: **15 Years**

(21) Appl. No.: **29/706,026**

(22) Filed: **Sep. 17, 2019**

(51) **LOC (13) Cl.** **06-03**

(52) **U.S. Cl.**
USPC **D6/691**

(58) **Field of Classification Search**
USPC D6/349, 656, 656.1, 656.13, 656.14, D6/656.18, 685, 686, 691, 691.1-691.9, D6/694
CPC A47B 7/00; A47B 13/00; A47B 13/02; A47B 13/04; A47B 13/06; A47B 13/08; A47B 13/10; A47B 13/12; A47B 21/00; A47B 2200/0001; A47B 2200/0011; A47B 2200/002

See application file for complete search history.

(56) **References Cited**

U.S. PATENT DOCUMENTS

D347,533 S * 6/1994 Lambert D24/190
D406,964 S * 3/1999 Lewis D6/349

D466,337 S * 12/2002 Feng D6/689
D731,822 S * 6/2015 Klein D6/675
D765,450 S * 9/2016 Biddle D6/691
D781,086 S * 3/2017 Velez D6/691
D792,135 S * 7/2017 Wyman D6/691.1
D827,345 S * 9/2018 Baylar D6/691
D833,181 S * 11/2018 Kundig D6/656.1
D855,358 S * 8/2019 Adler D6/644

* cited by examiner

Primary Examiner — Mary Ann Calabrese

(74) *Attorney, Agent, or Firm* — Michael Best & Friedrich LLP

(57) **CLAIM**

We claim the ornamental design for a table, as shown and described.

DESCRIPTION

FIG. 1 is a top perspective view of a table showing my new design.

FIG. 2 is a bottom perspective view of the table of FIG. 1. FIG. 3 is an alternate bottom perspective view of the table of FIG. 1.

FIG. 4 is a top view of the table of FIG. 1.

FIG. 5 is a bottom view of the table of FIG. 1.

FIG. 6 is a front view of the table of FIG. 1.

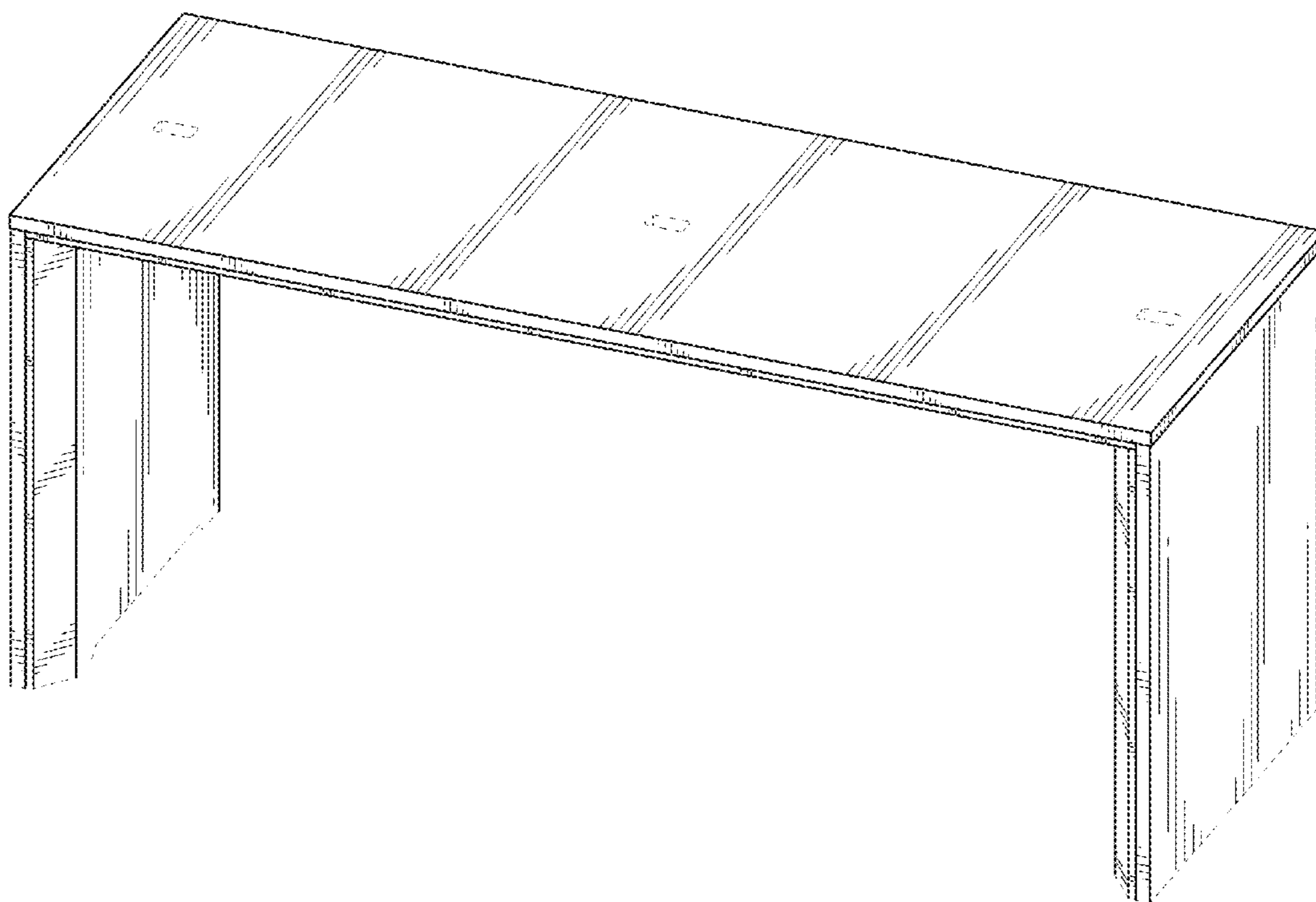
FIG. 7 is a back view of the table of FIG. 1.

FIG. 8 is a side view of the table of FIG. 1; and,

FIG. 9 is a opposite side view of the table of FIG. 1.

Portions of the table shown in broken lines form no part of the claimed design.

1 Claim, 9 Drawing Sheets



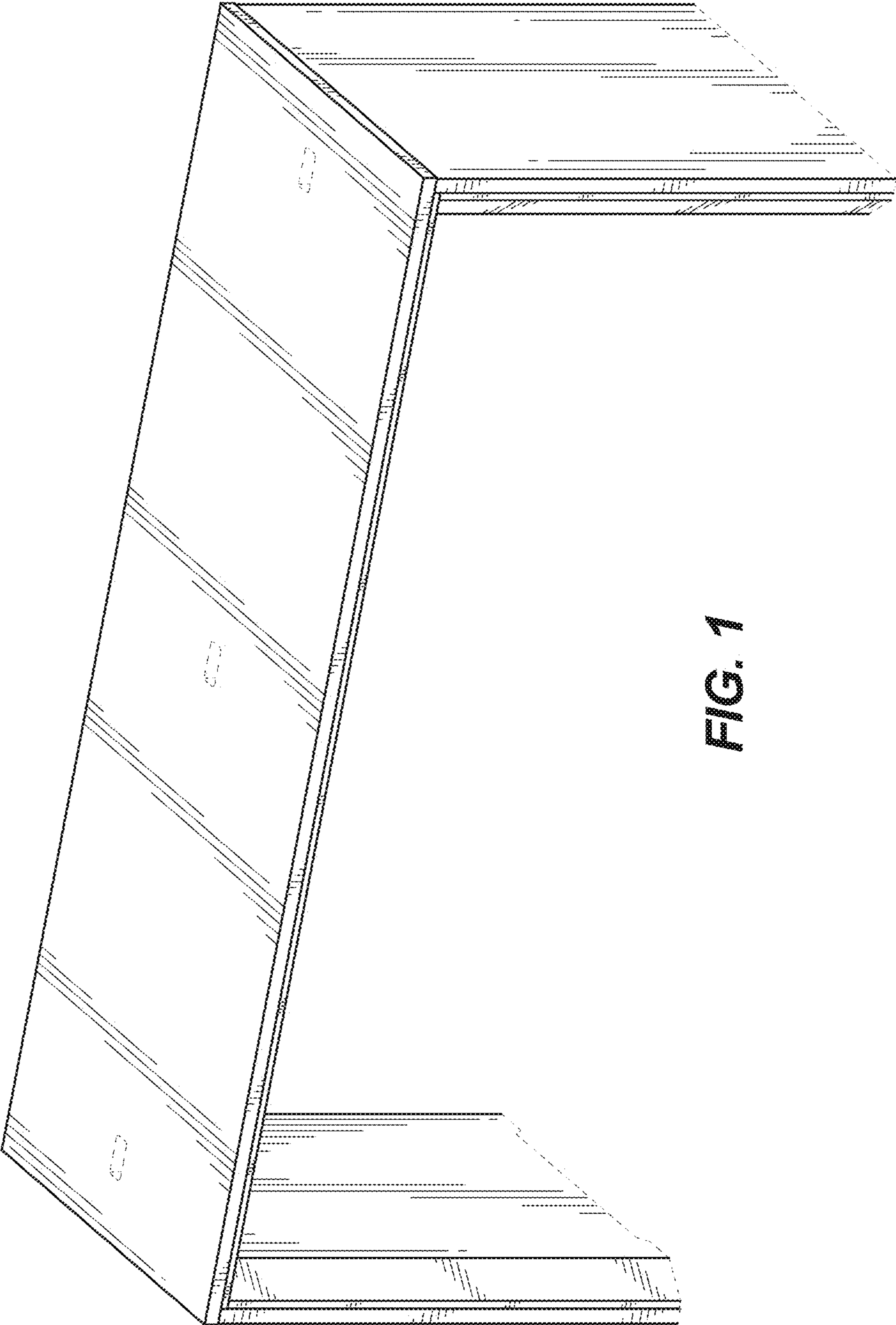


FIG. 1

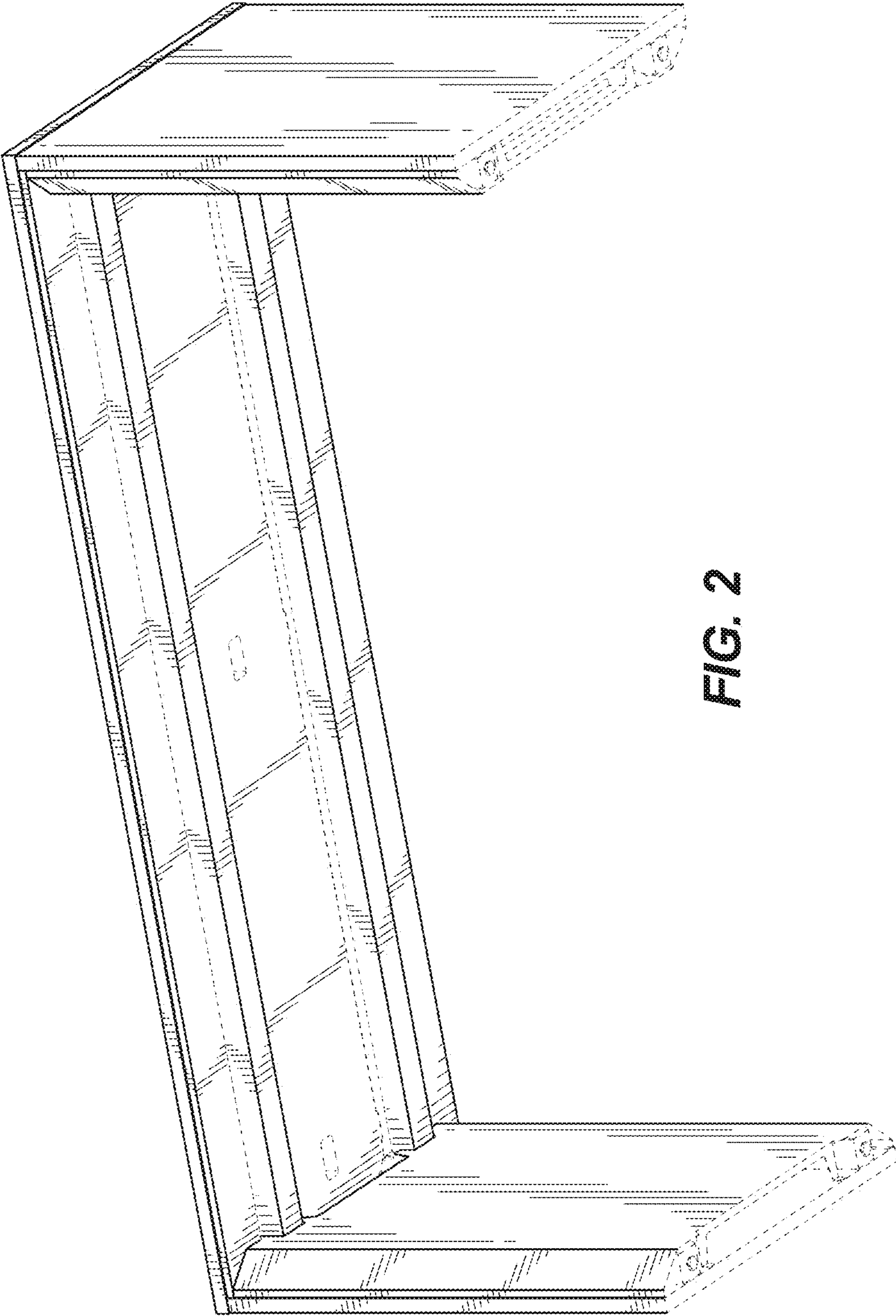


FIG. 2

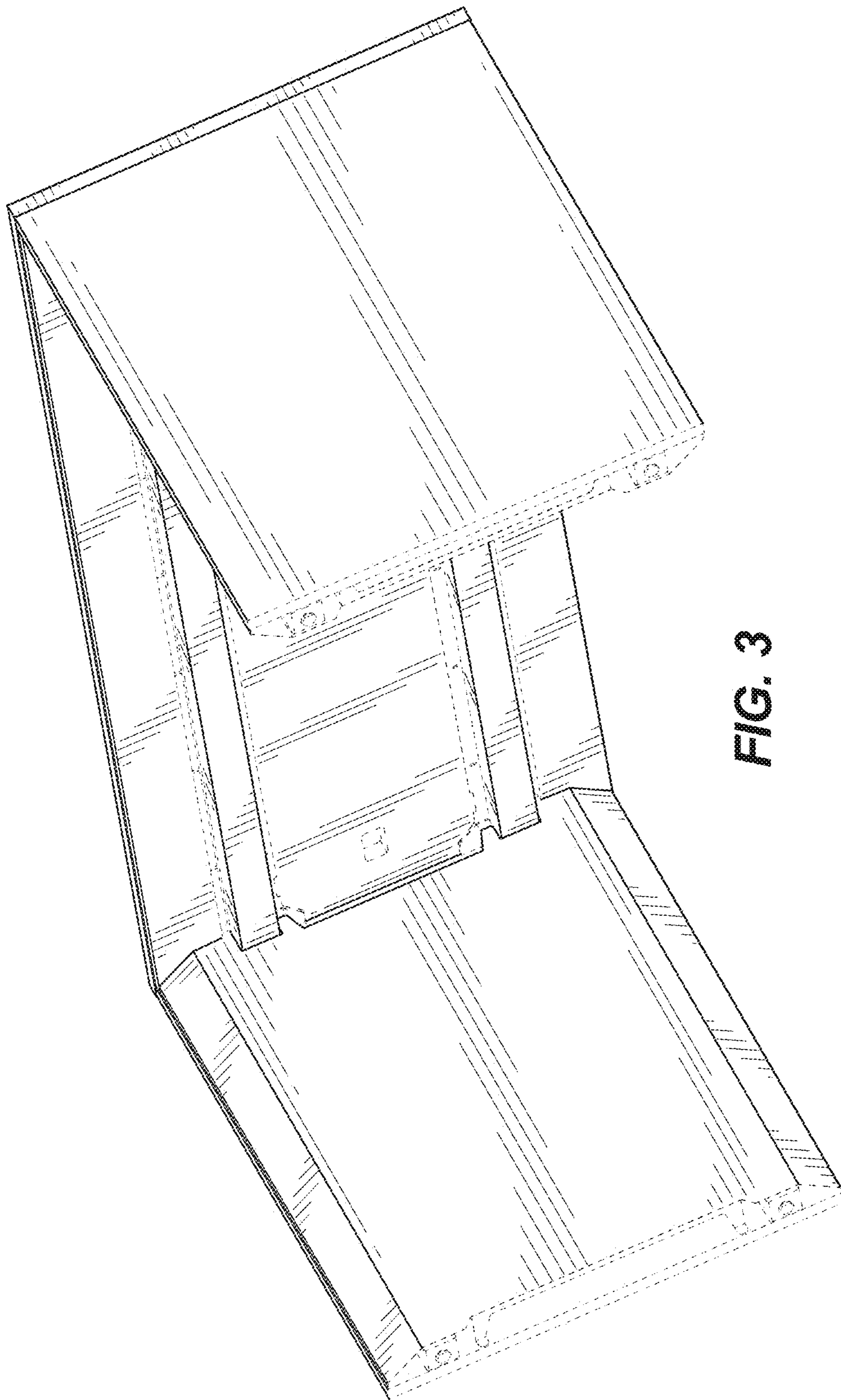


FIG. 3

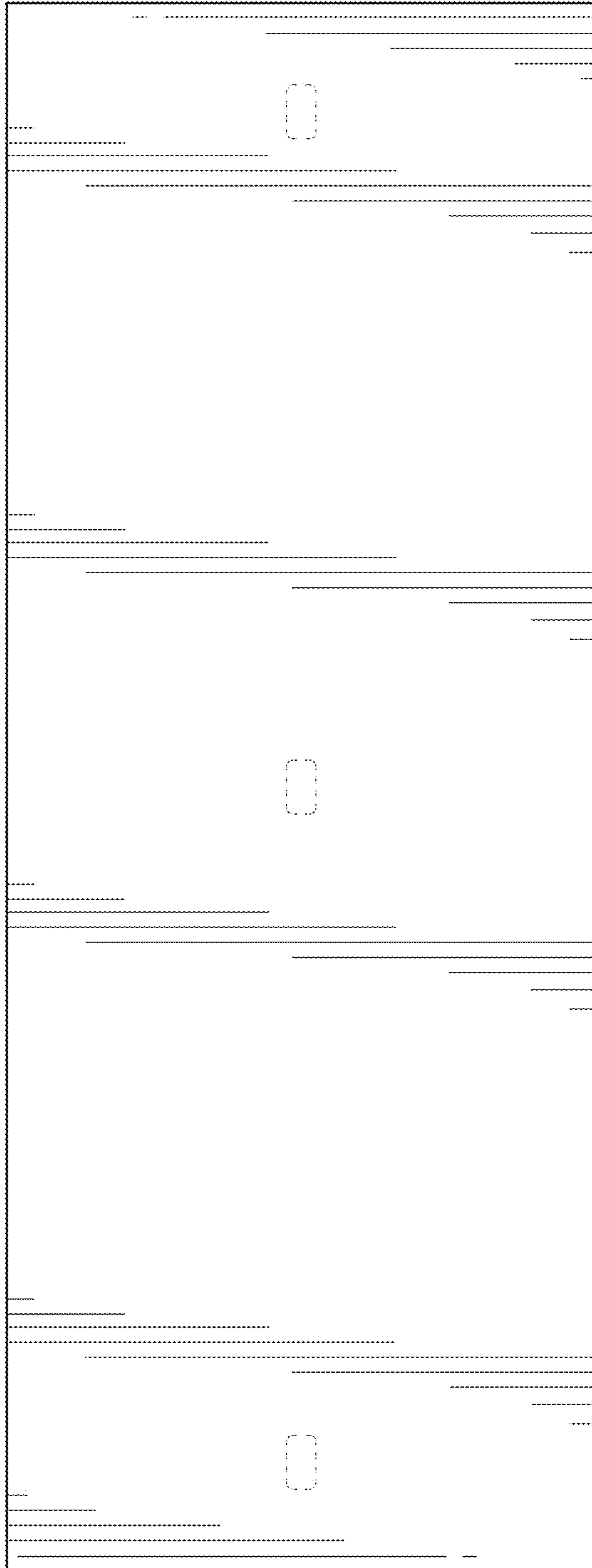


FIG. 4

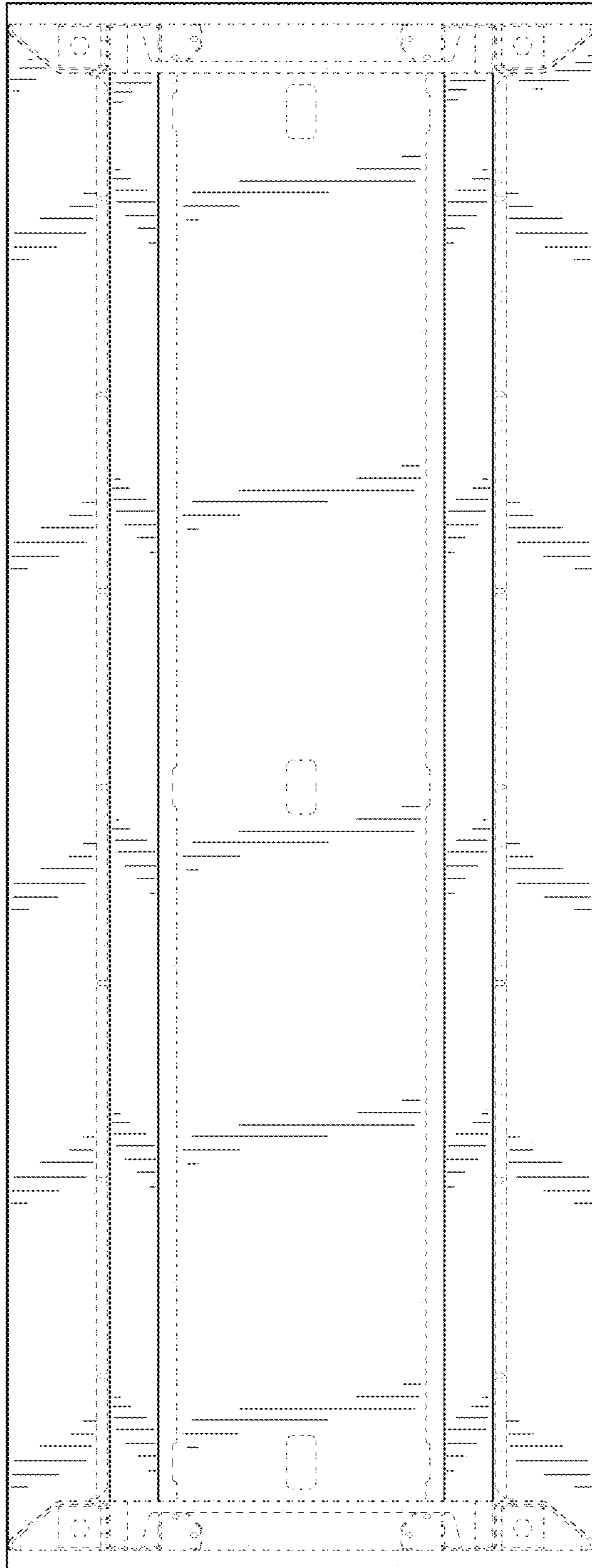


FIG. 5

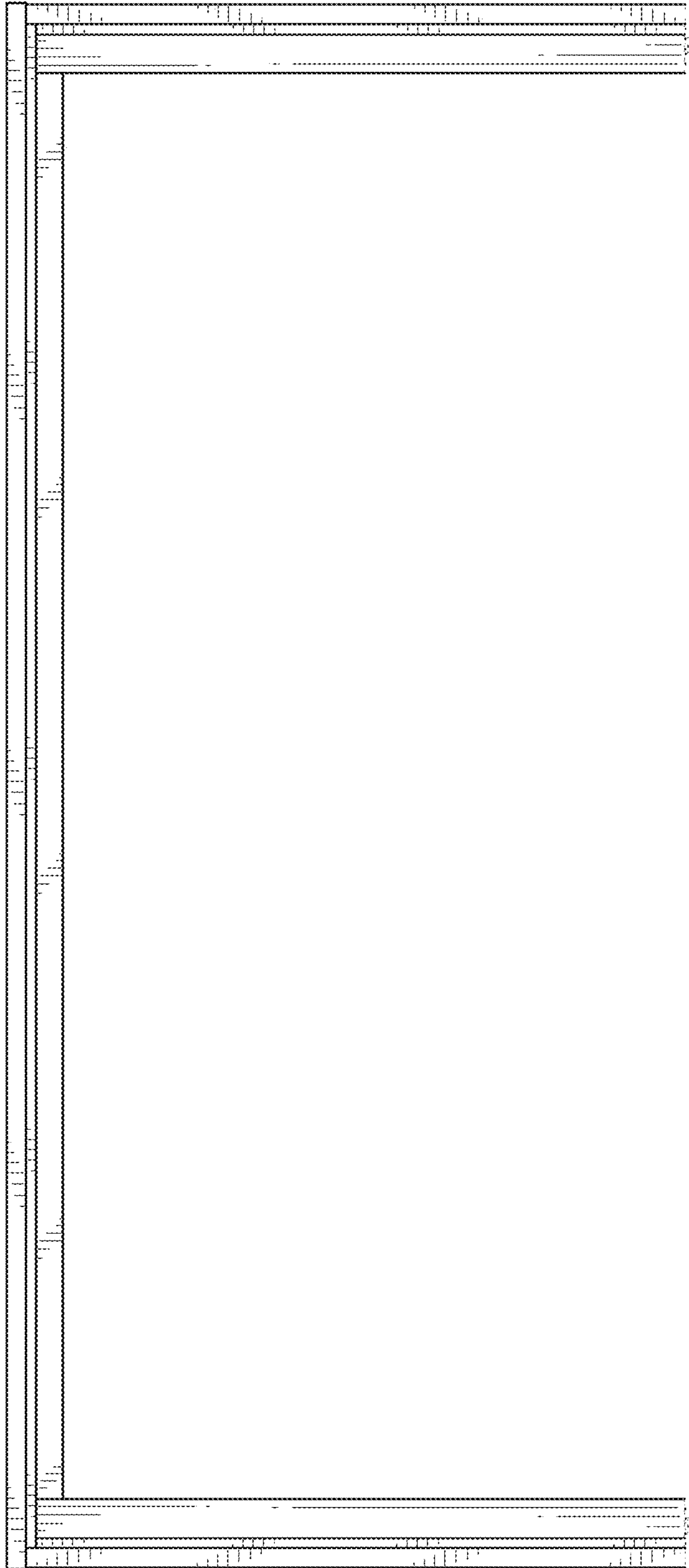


FIG. 6

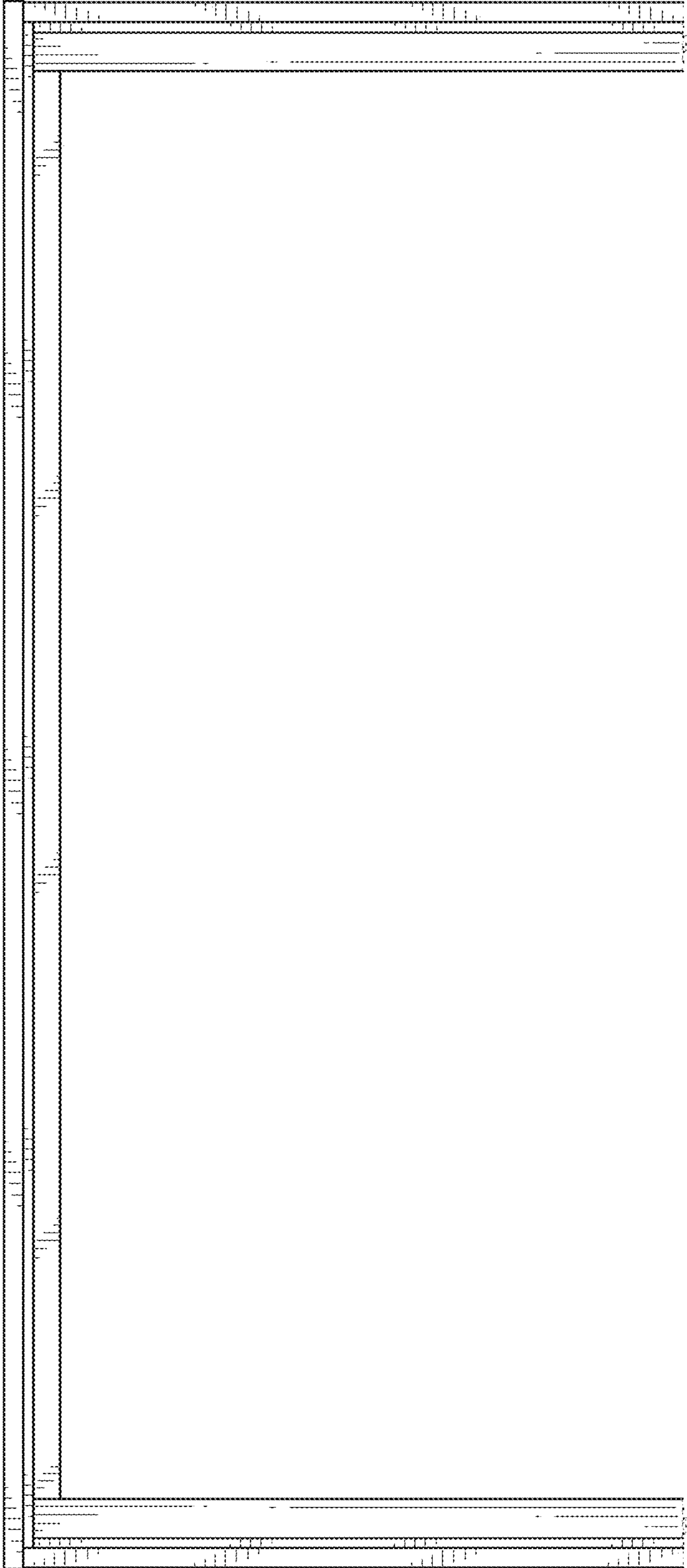


FIG. 7

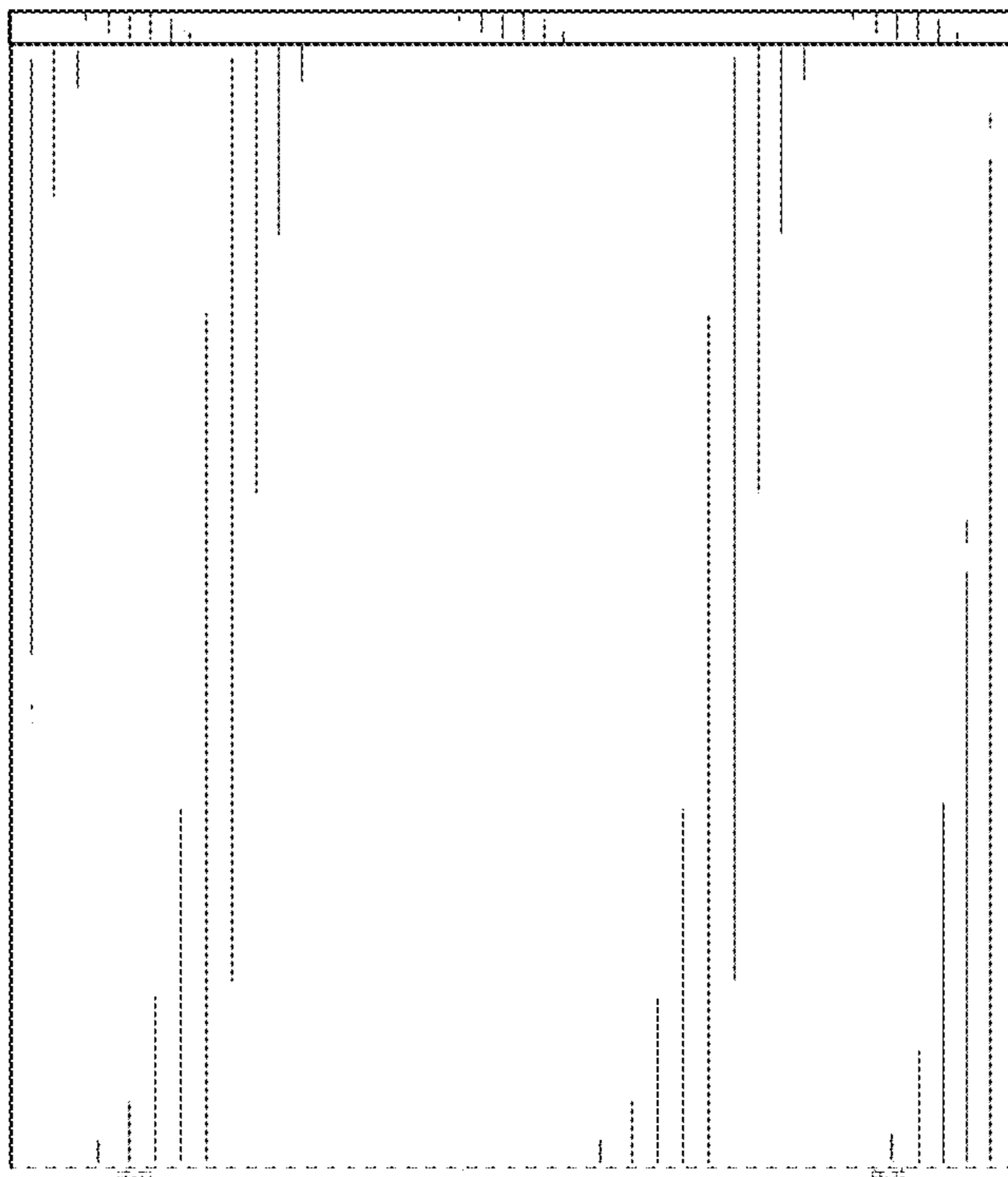


FIG. 8

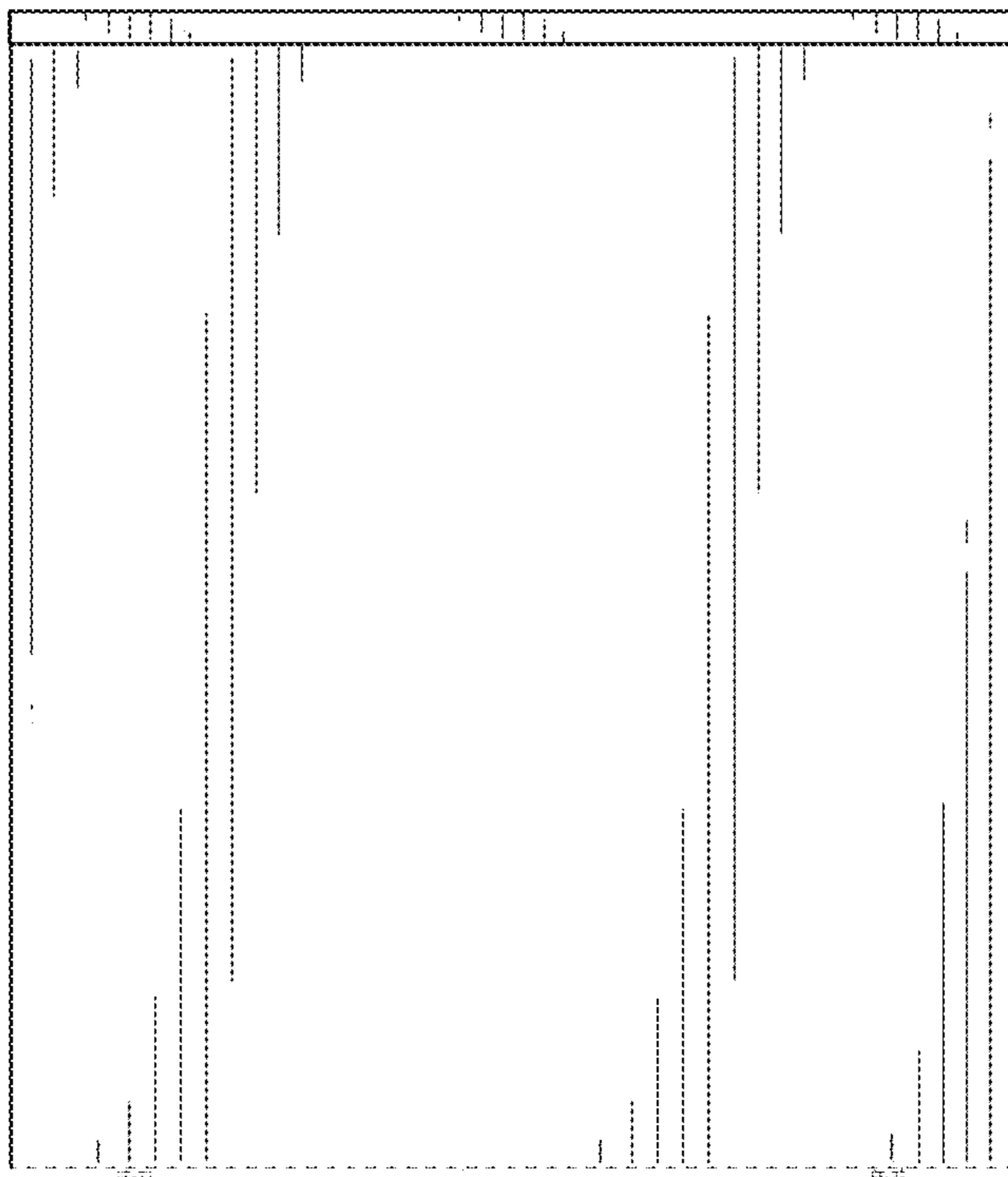


FIG. 9