



US00D926502S

(12) **United States Design Patent**
Benuzzi et al.

(10) **Patent No.:** **US D926,502 S**

(45) **Date of Patent:** **** Aug. 3, 2021**

(54) **ROTATABLE SHELF ATTACHMENT**

(71) Applicants: **Dean Benuzzi**, Hesperia, CA (US);
Brian Fried, Melville, NY (US)

(72) Inventors: **Dean Benuzzi**, Hesperia, CA (US);
Brian Fried, Melville, NY (US)

(**) Term: **15 Years**

(21) Appl. No.: **29/685,336**

(22) Filed: **Mar. 27, 2019**

(51) **LOC (13) Cl.** **06-06**

(52) **U.S. Cl.**
USPC **D6/675**

(58) **Field of Classification Search**
USPC D6/641, 653, 654, 655, 672, 673, 675,
D6/686, 691, 691.3, 698, 702, 704, 705,
D6/513
CPC A47B 3/00; A47B 5/00; A47B 5/02; A47B
46/00; A47B 47/0091; A47B 47/04; A47B
57/30; A47B 57/34; A47B 57/54; A47B
96/02; A47B 96/06; A47B 96/16
See application file for complete search history.

(56) **References Cited**

U.S. PATENT DOCUMENTS

D174,146 S * 3/1955 Tharrington D6/675
D269,657 S * 7/1983 Taylor D3/304

D289,240 S * 4/1987 Sylvester D6/656
D366,781 S * 2/1996 Cartwright D6/656.17
D462,541 S * 9/2002 Welch D6/675
D586,165 S * 2/2009 Lenterman D6/705
D612,182 S * 3/2010 Bremmon D6/567
D702,541 S * 4/2014 Mansor D8/381
D754,992 S * 5/2016 Brown D6/675
D881,646 S * 4/2020 Zhao D7/403
2019/0352965 A1* 11/2019 Garay E06C 7/165

* cited by examiner

Primary Examiner — Kelley A Donnelly

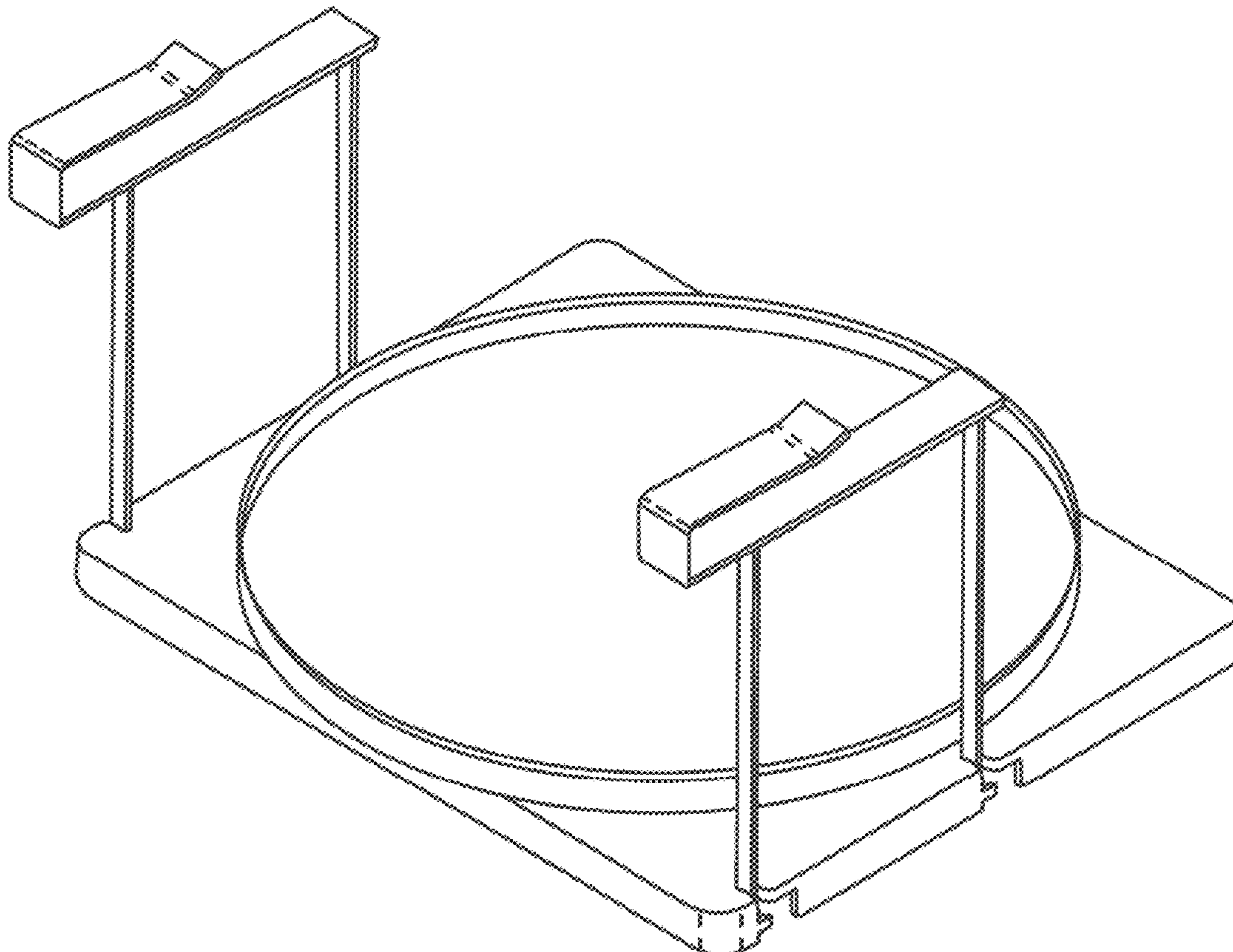
(57) **CLAIM**

We claim, the ornamental design for a rotatable shelf attachment, as shown and described.

DESCRIPTION

FIG. 1 is a top right front perspective view of a rotatable shelf attachment showing my new design;
FIG. 2 is a top right rear perspective view thereof;
FIG. 3 is a top left rear perspective view thereof;
FIG. 4 is a top left front perspective view thereof;
FIG. 5 is a bottom right front perspective view thereof;
FIG. 6 is a bottom right rear perspective view thereof;
FIG. 7 is a bottom left rear perspective view thereof; and,
FIG. 8 is a bottom left front perspective view thereof.

1 Claim, 8 Drawing Sheets



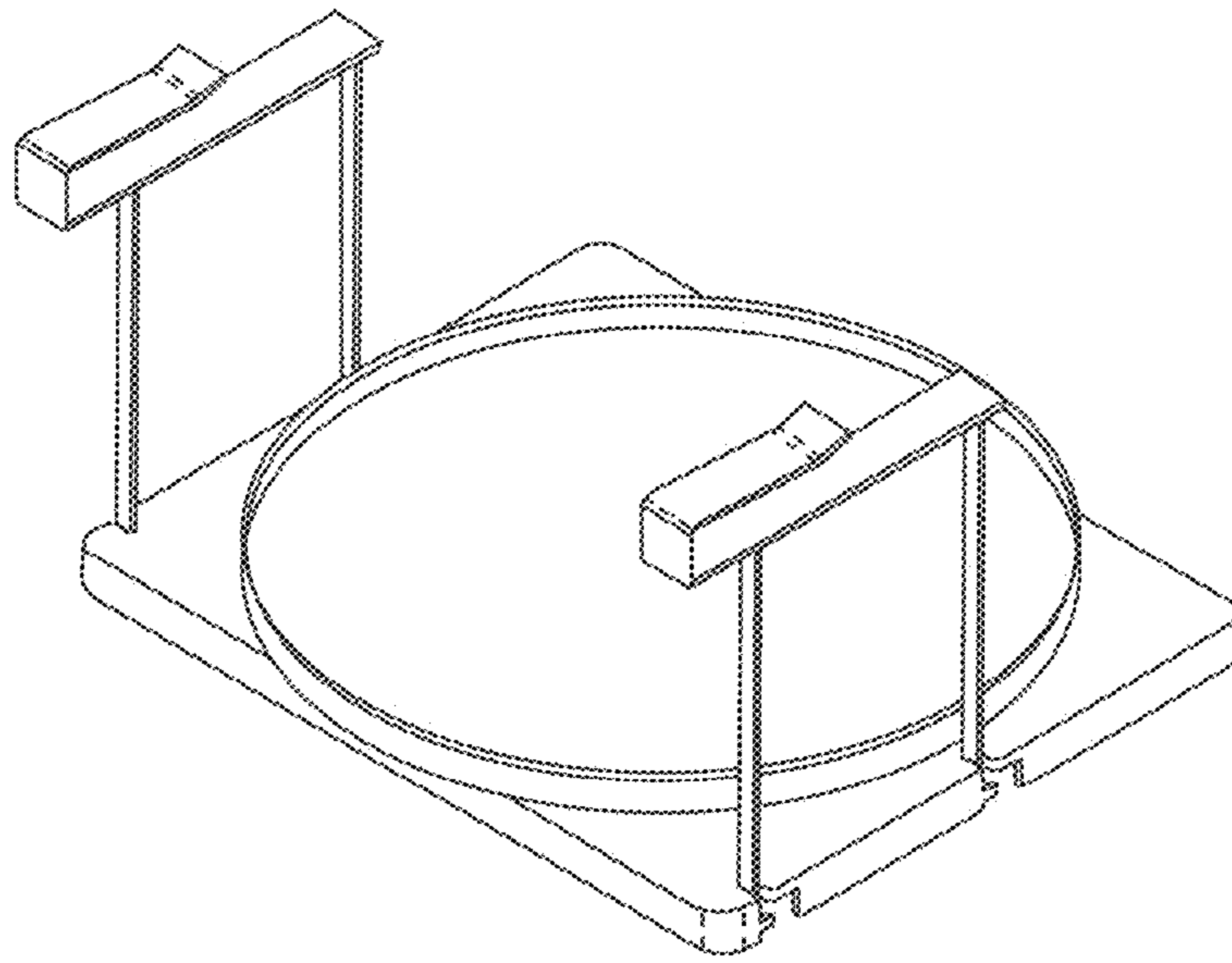


FIG. 1

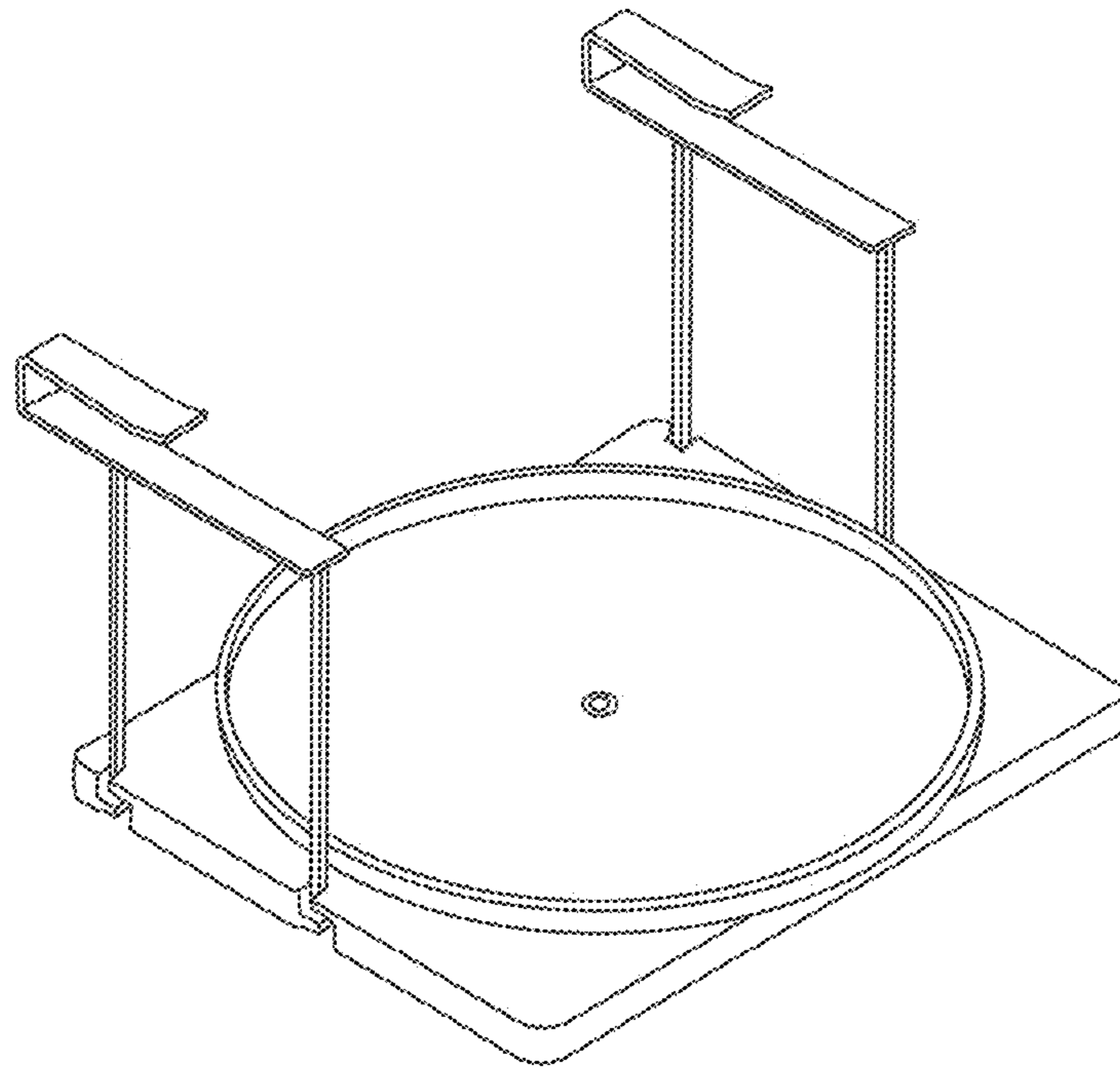


FIG. 2

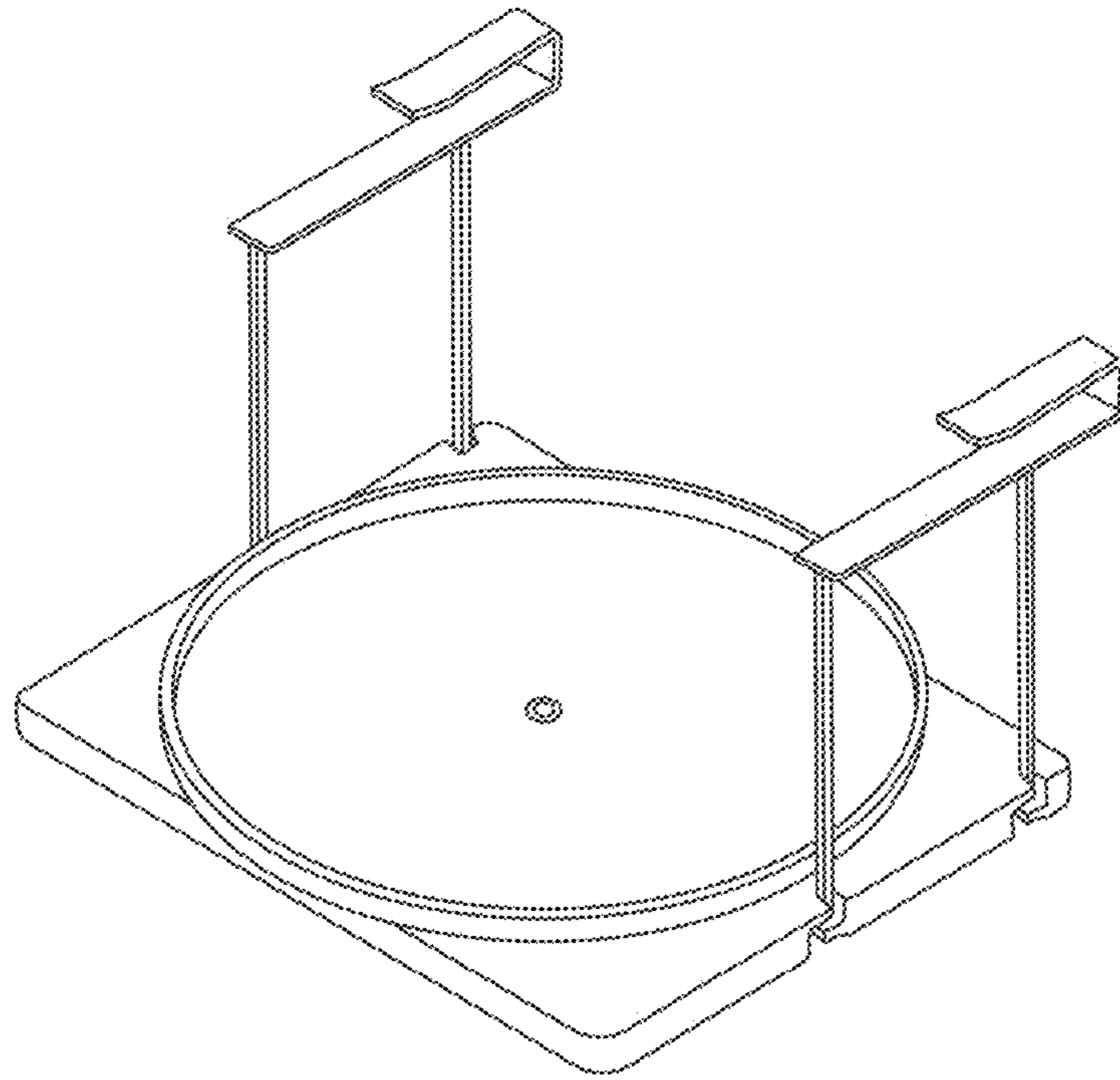


FIG. 3

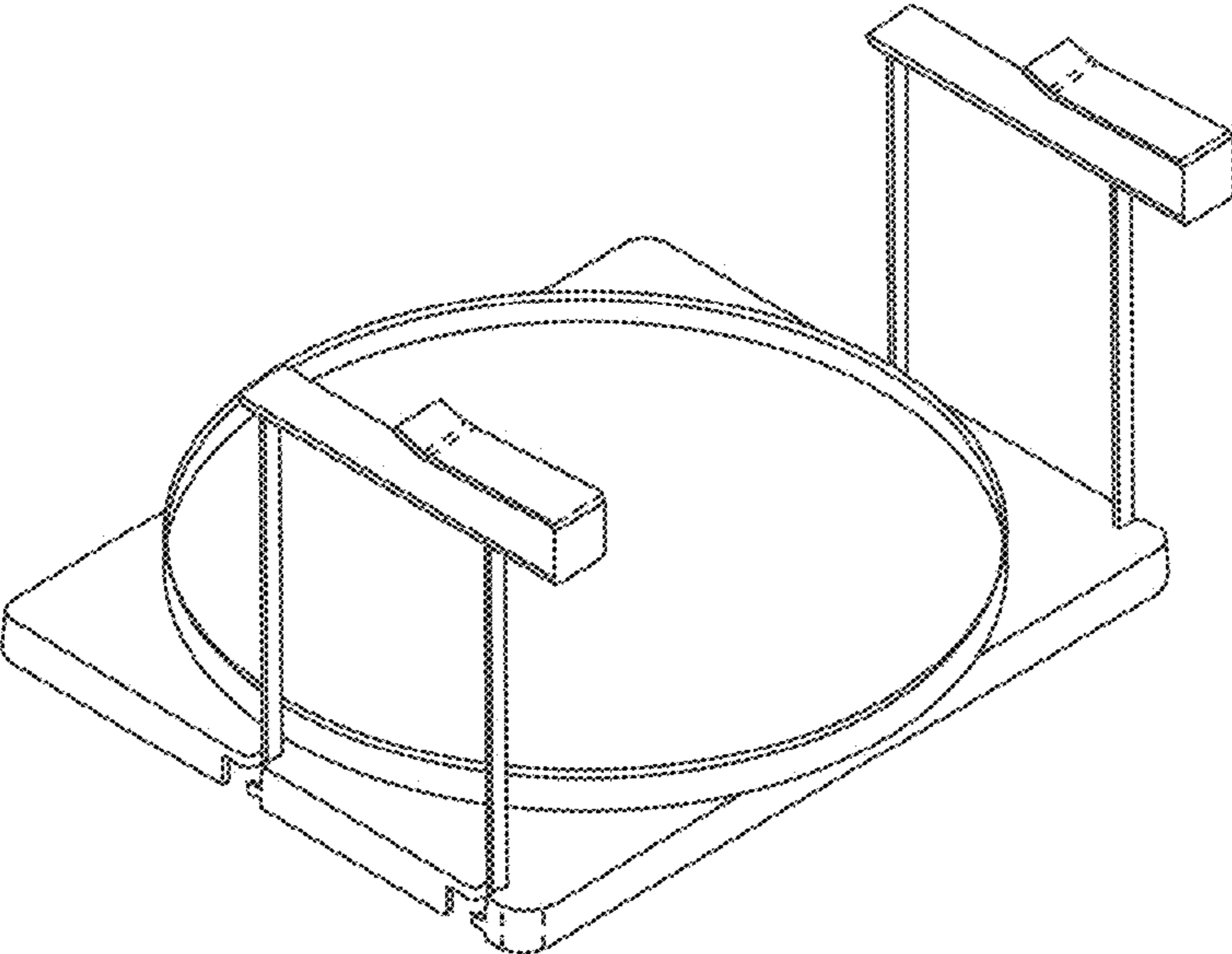


FIG. 4

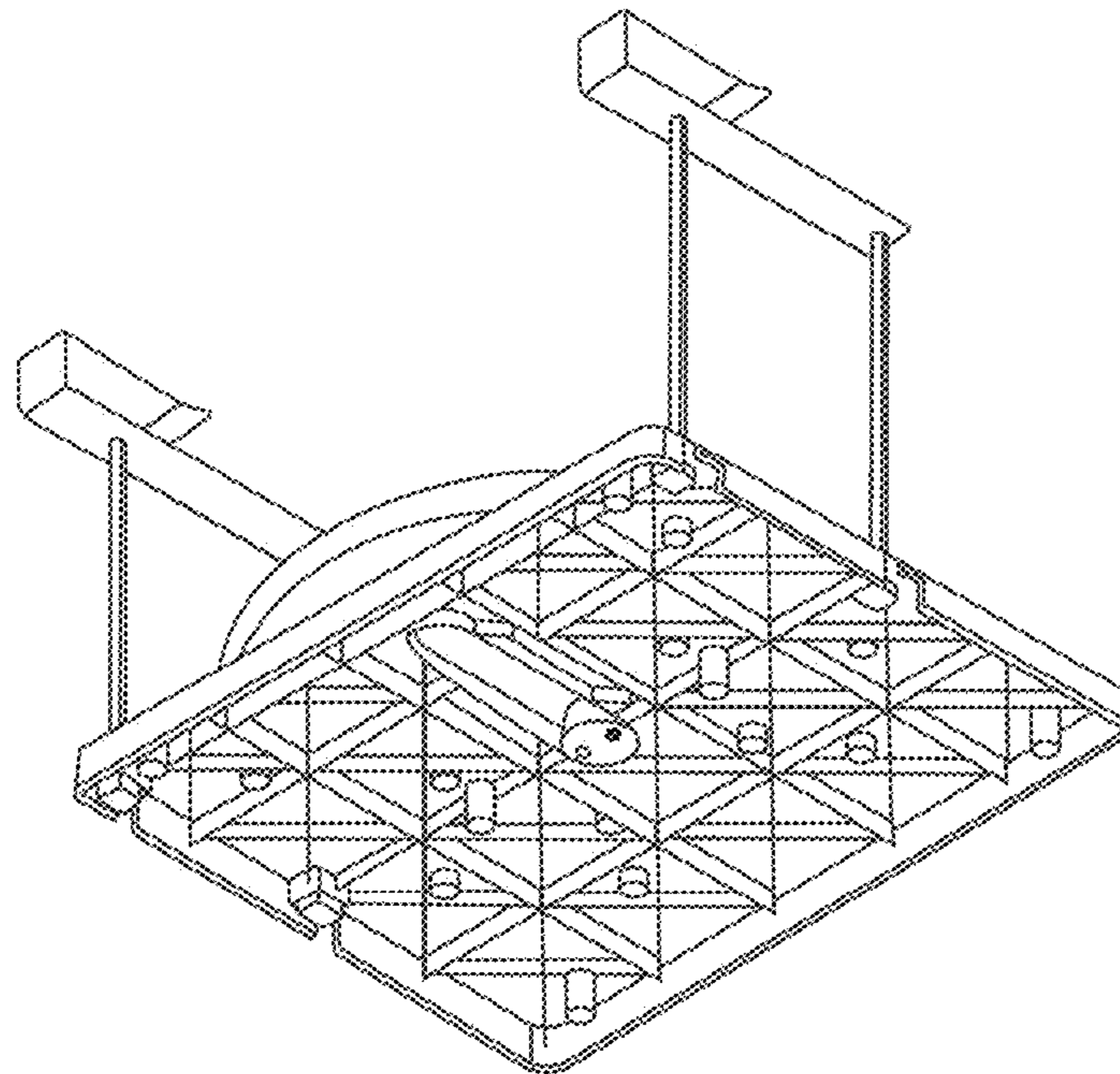


FIG. 5

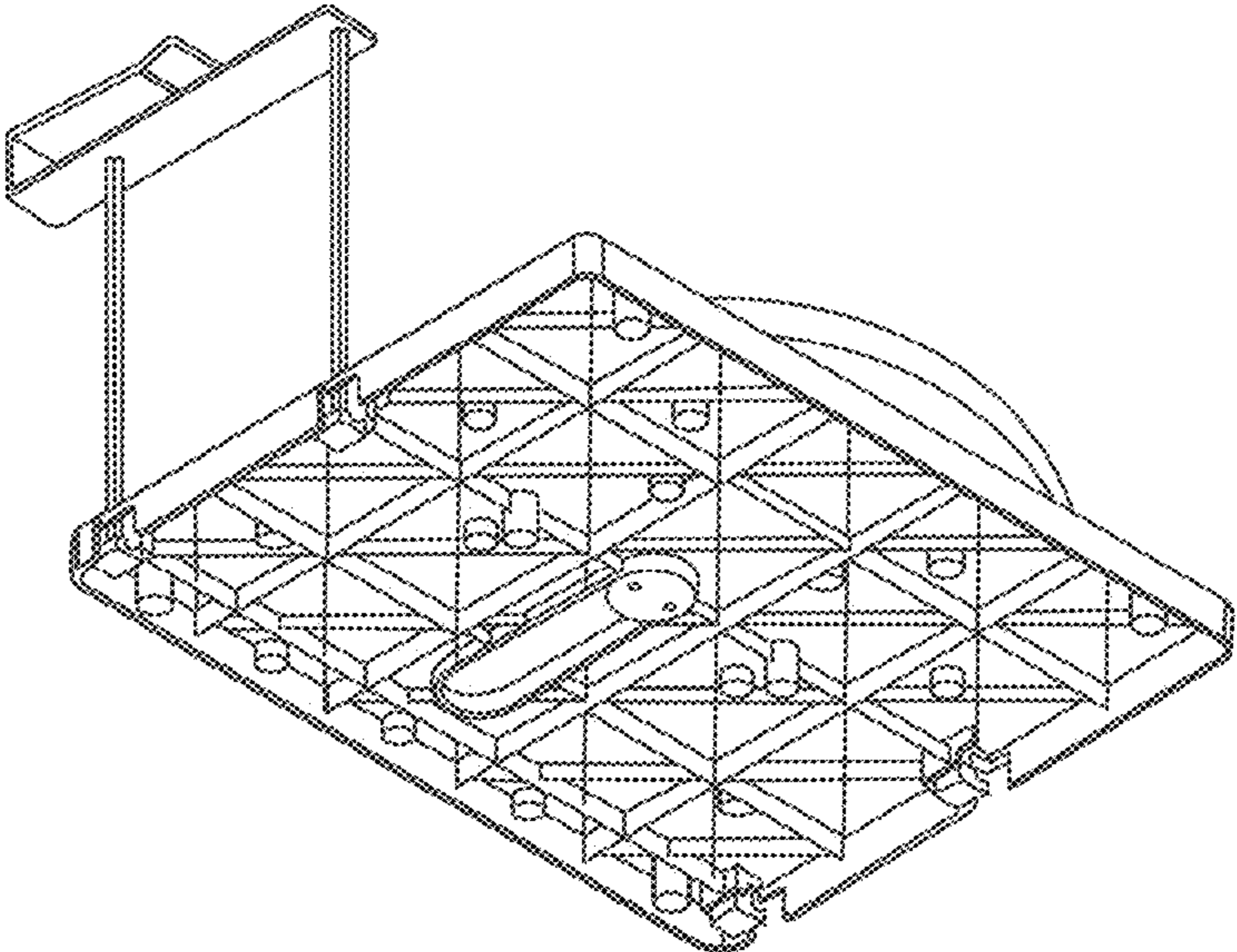


FIG. 6

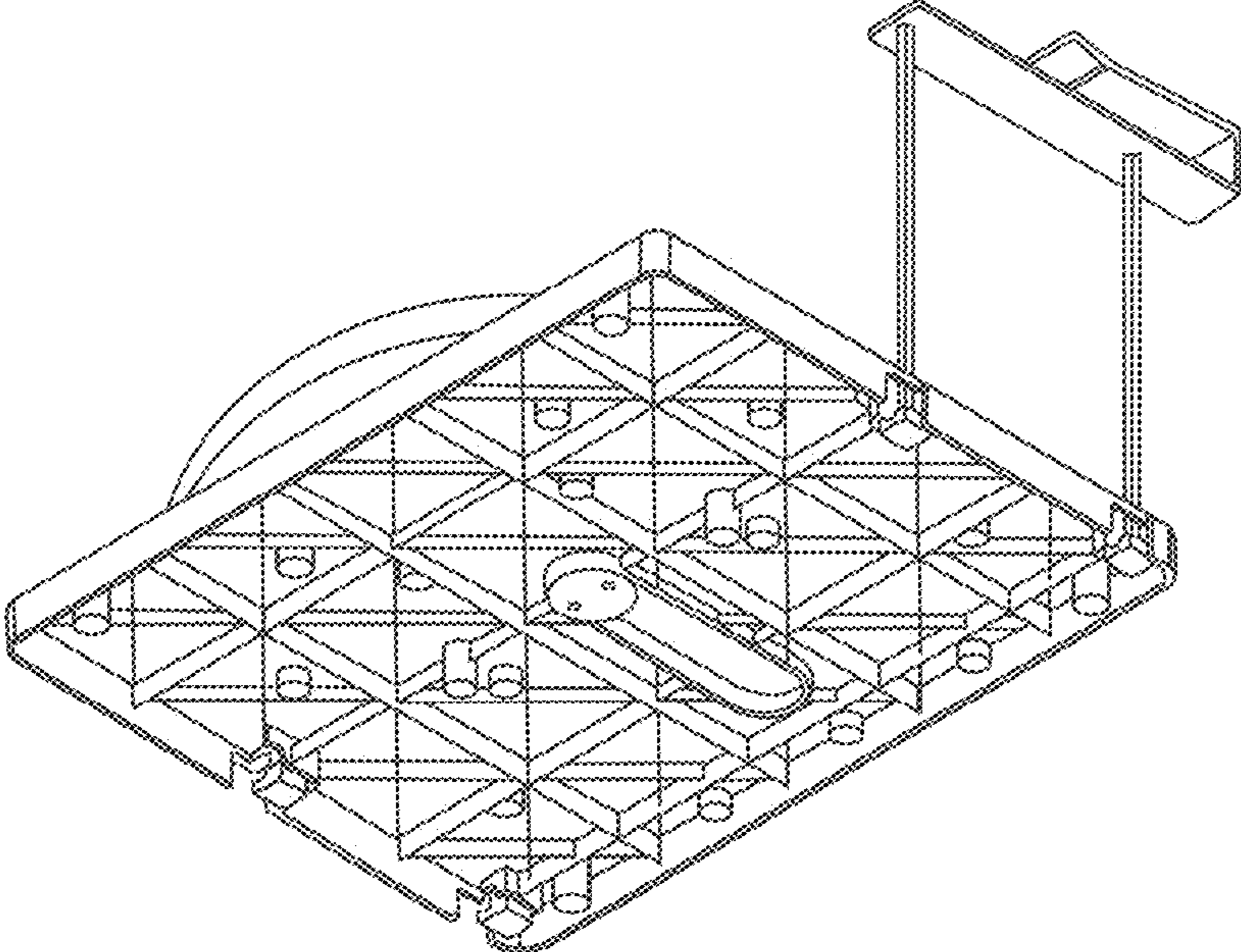


FIG. 7

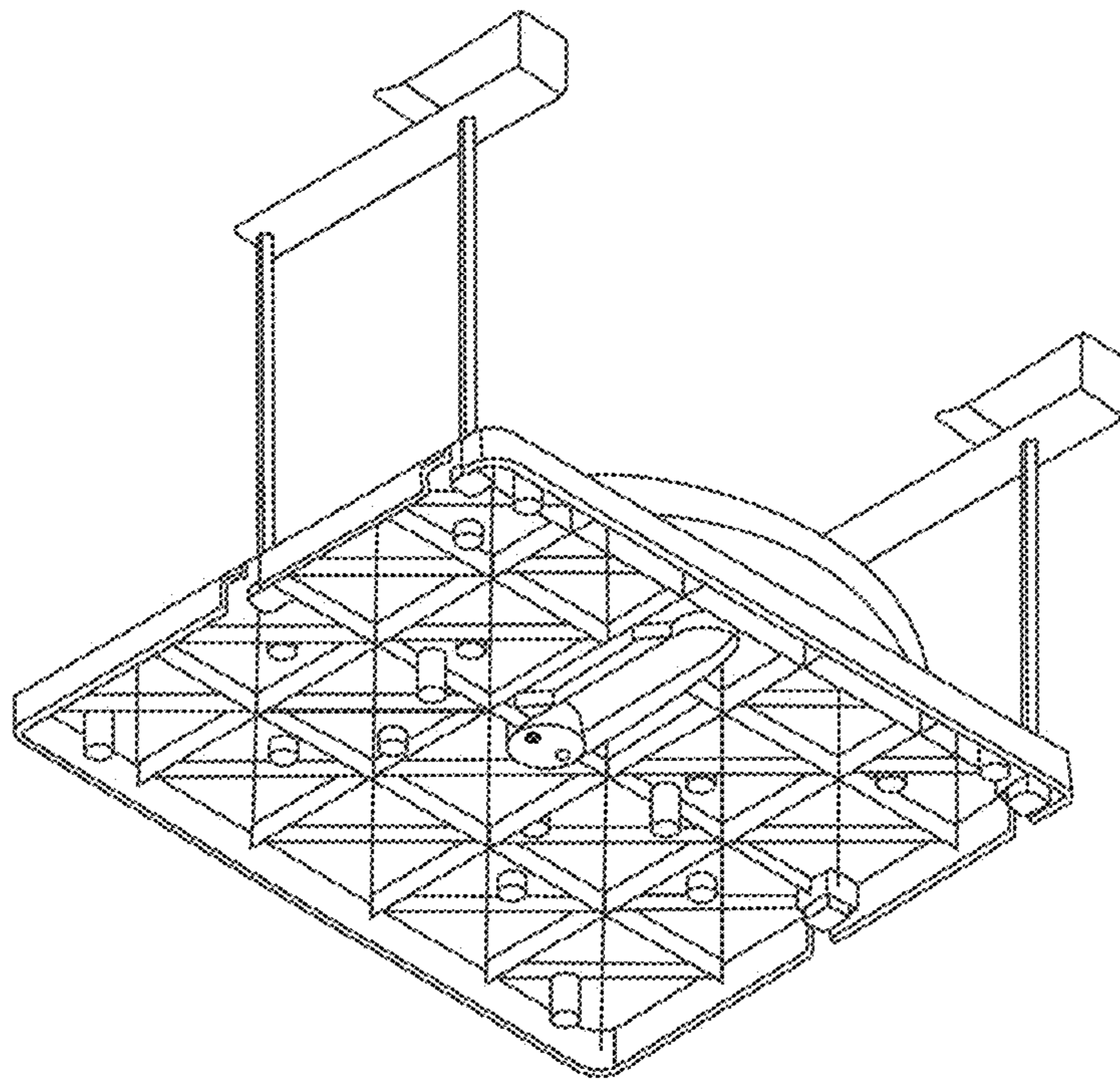


FIG. 8