



US00D926499S

(12) **United States Design Patent**
Zhou

(10) **Patent No.:** **US D926,499 S**

(45) **Date of Patent:** **** Aug. 3, 2021**

(54) **GAMING DESK**

(71) Applicant: **Zheng Zhou**, Huzhou (CN)

(72) Inventor: **Zheng Zhou**, Huzhou (CN)

(**) Term: **15 Years**

(21) Appl. No.: **29/751,324**

(22) Filed: **Sep. 21, 2020**

(51) **LOC (13) Cl.** **06-03**

(52) **U.S. Cl.**

USPC **D6/656.16**

(58) **Field of Classification Search**

USPC D6/641, 642, 656, 656.13, 656.14,
D6/656.16, 656.19, 685, 686, 691

CPC .. A47B 7/00; A47B 9/00; A47B 13/00; A47B
13/02; A47B 13/04; A47B 13/06; A47B
13/08; A47B 13/10; A47B 13/12; A47B
17/00; A47B 17/003; A47B 17/006; A47B
21/00; A47B 2200/0001; A47B
2200/0002; A47B 2200/0011

See application file for complete search history.

(56) **References Cited**

U.S. PATENT DOCUMENTS

D552,882 S * 10/2007 Saotome D6/656.16
D861,381 S * 10/2019 Hu D6/656.11

D861,383 S * 10/2019 Hu D6/656.17
D862,128 S * 10/2019 Hu D6/656.11
D875,441 S * 2/2020 Duan D6/655.18
D878,815 S * 3/2020 Peng D6/656
D882,988 S * 5/2020 Hu D6/656.17
D893,919 S * 8/2020 Hu D6/656.11
D893,920 S * 8/2020 Hu D6/656.16
D894,639 S * 9/2020 Hu D6/656.11
D894,640 S * 9/2020 Hu D6/656.16
D911,075 S * 2/2021 Hu D6/656.16

* cited by examiner

Primary Examiner — Mary Ann Calabrese

(57) **CLAIM**

The ornamental design for a gaming desk, as shown and described.

DESCRIPTION

FIG. 1 is a perspective view of a gaming desk showing my new design;
FIG. 2 is a perspective front view thereof;
FIG. 3 is a perspective rear view thereof;
FIG. 4 is a perspective left side view thereof;
FIG. 5 is a perspective right side view thereof;
FIG. 6 is a top view thereof; and,
FIG. 7 is a perspective bottom view thereof.

1 Claim, 7 Drawing Sheets





FIG. 1



FIG. 2

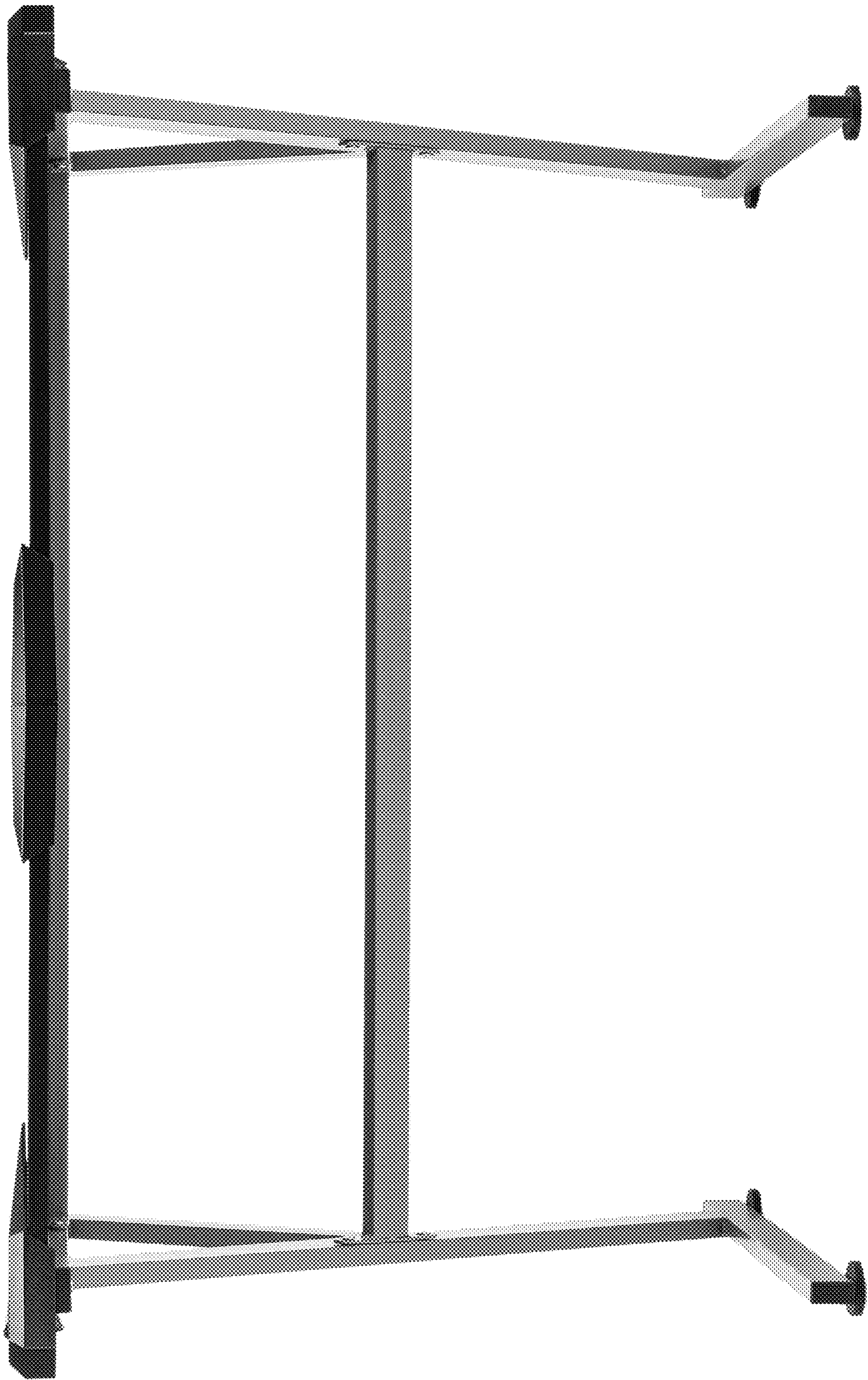


FIG. 3

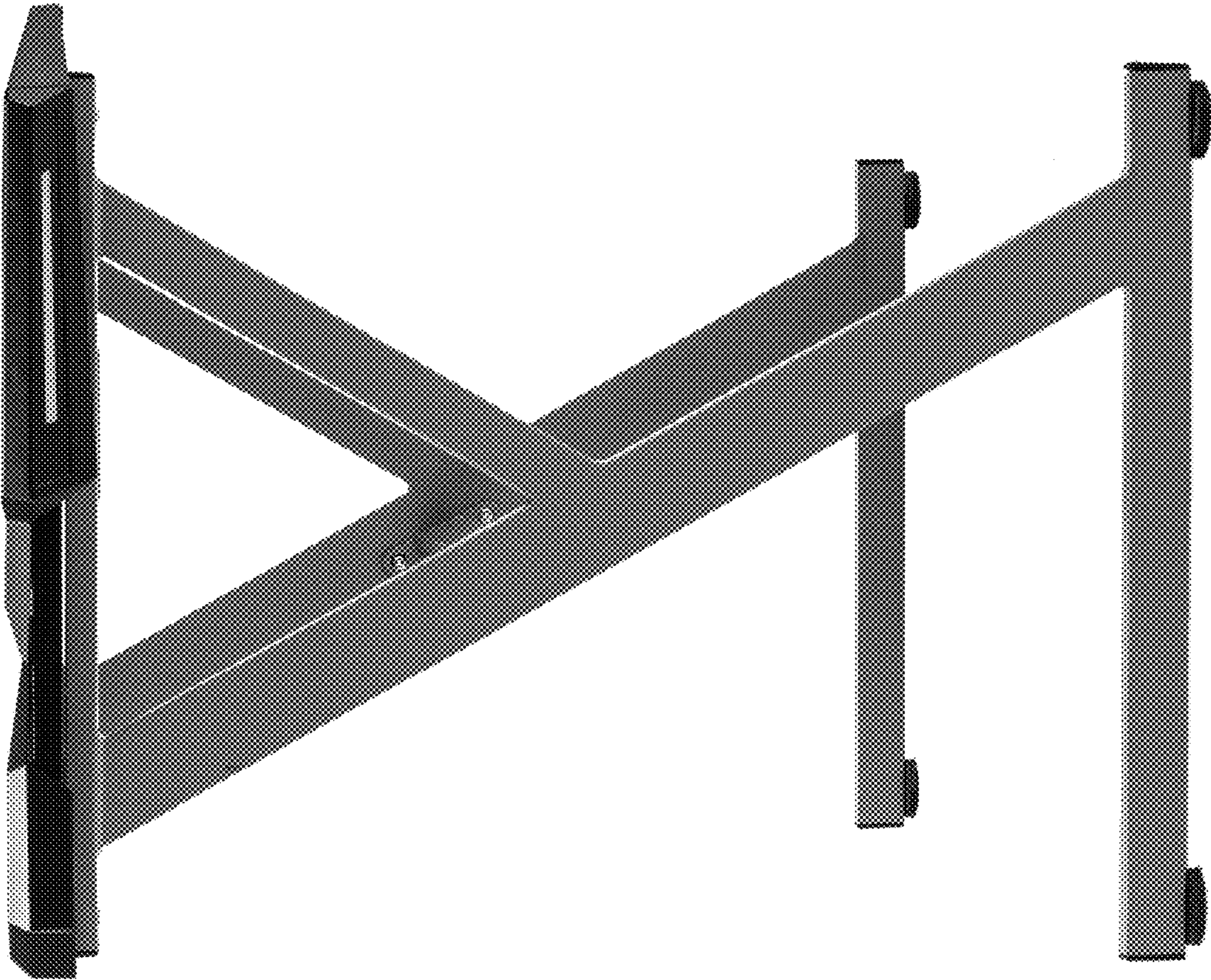


FIG. 4

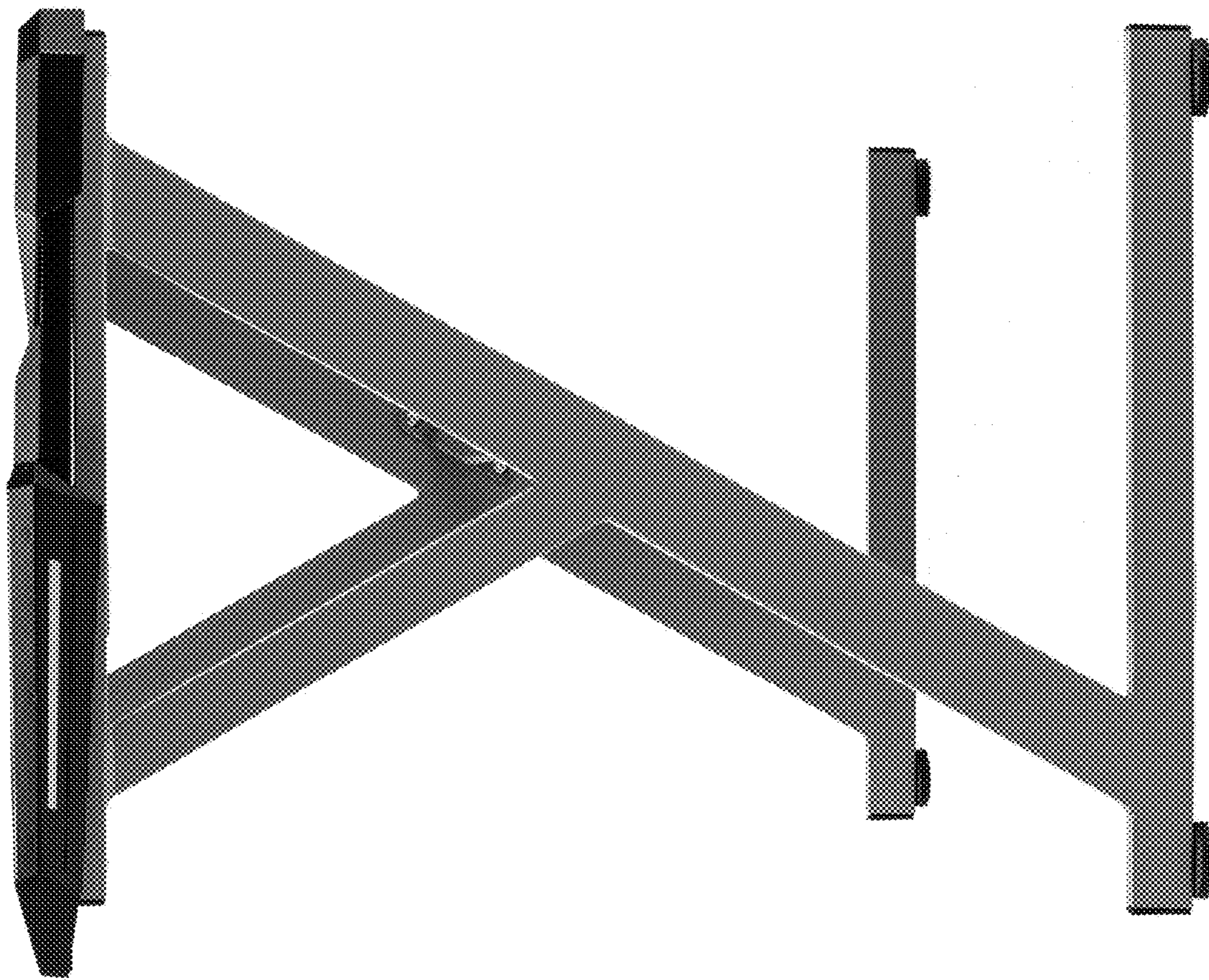


FIG. 5

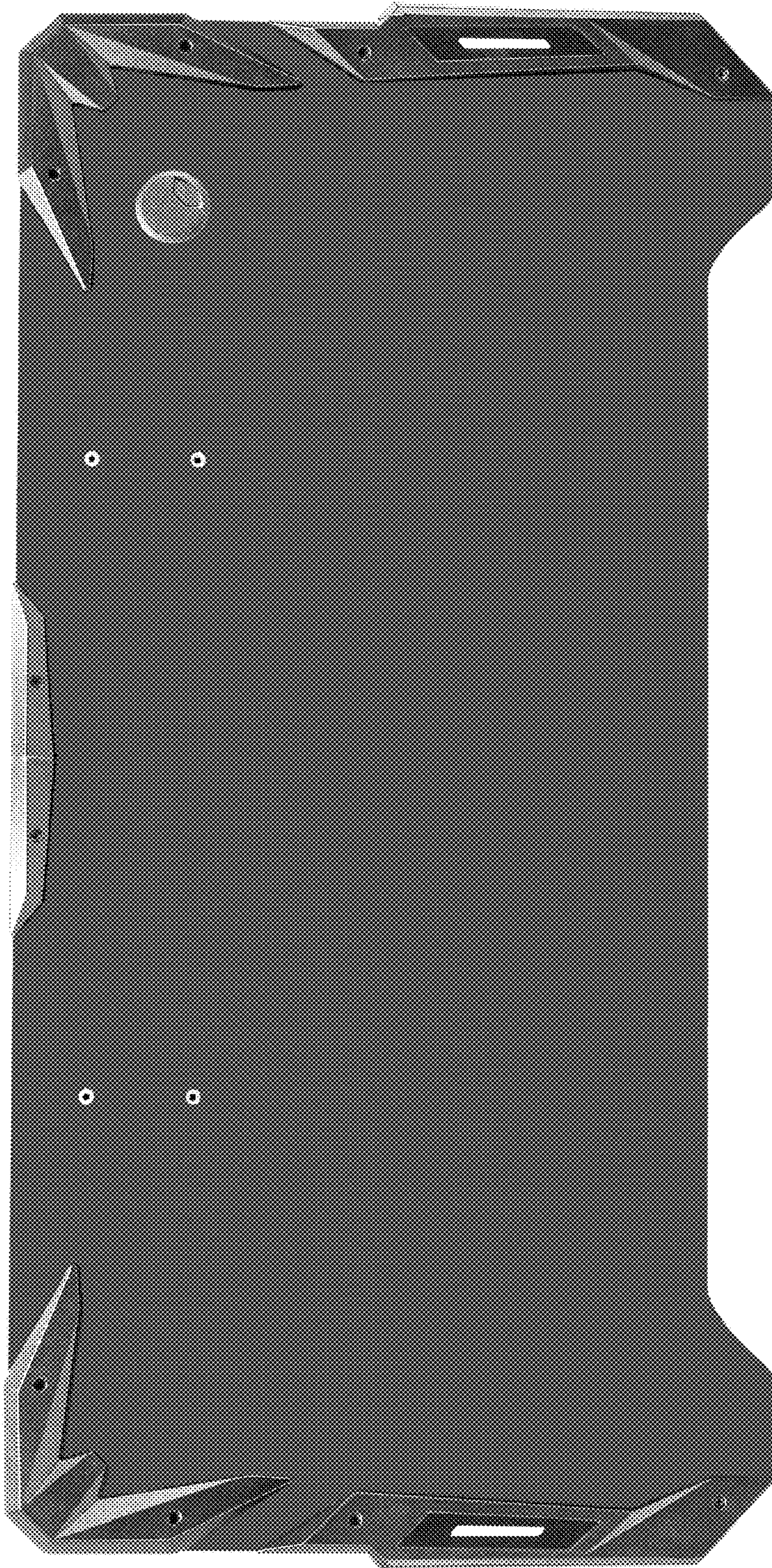


FIG. 6

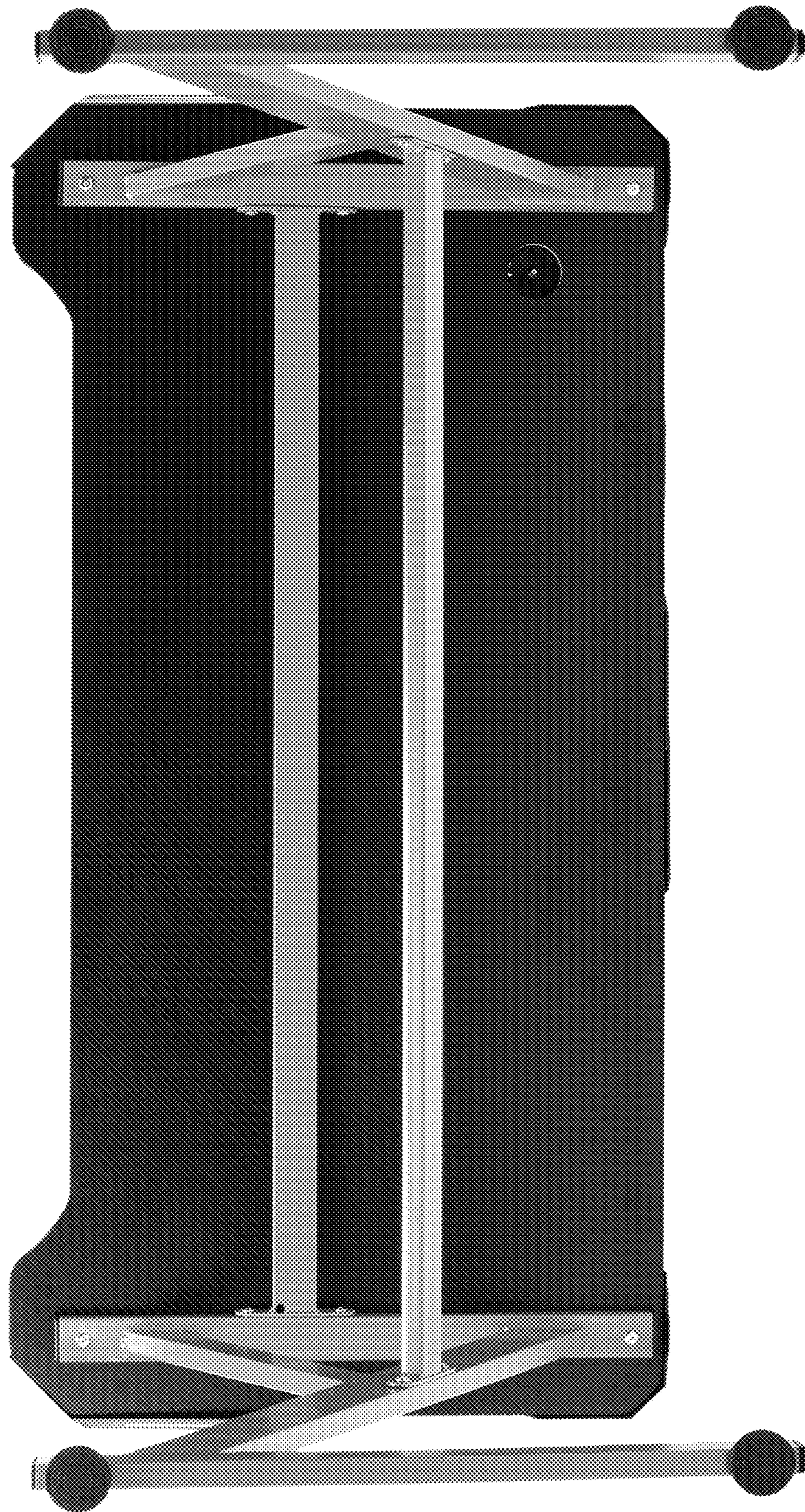


FIG. 7