



US00D926498S

(12) **United States Design Patent** (10) **Patent No.:** **US D926,498 S**
Hu (45) **Date of Patent:** **** Aug. 3, 2021**

(54) **GAMING DESK**
(71) Applicant: **Yajun Hu**, El Dorado Hills, CA (US)
(72) Inventor: **Yajun Hu**, El Dorado Hills, CA (US)
(73) Assignees: **Yajun Hu**, El Dorado Hills, CA (US);
EUREKA LLC., El Dorado Hills, CA (US)

(**) Term: **15 Years**

(21) Appl. No.: **29/732,727**

(22) Filed: **Apr. 27, 2020**

(51) **LOC (13) Cl.** **06-03**

(52) **U.S. Cl.**
USPC **D6/656.16**

(58) **Field of Classification Search**
USPC D6/641, 642, 648, 648.1, 650, 650.1,
D6/655, 656, 656.1, 656.11, 656.12,
D6/656.13, 656.14, 656.15, 656.16,
D6/656.17, 656.18, 656.19, 675, 686,
D6/688.14, 688.15, 691, 691.5, 691.1,
D6/691.6, 691.7, 694.2, 697, 705, 705.4,
D6/705.5, 705.7, 706, 707, 707.18,
D6/707.19, 707.22

CPC A47B 1/00; A47B 7/00; A47B 9/10; A47B
9/16; A47B 2009/006; A47B 11/00; A47B
13/00; A47B 13/081; A47B 21/0073;
A47B 21/02; A47B 21/03; A47B
2200/0064; A47B 9/00; A47B 9/02; A47B
9/04; A47B 9/12; A47B 2200/0035; A47B
2200/005; A47B 2200/0056

See application file for complete search history.

(56) **References Cited**

U.S. PATENT DOCUMENTS

D478,225 S 8/2003 Wang
D499,273 S 12/2004 Chang
D499,576 S 12/2004 Long

D526,812 S 8/2006 Chen
D547,970 S 8/2007 Chou
D549,009 S 8/2007 Lin
D644,044 S * 8/2011 Kitajima D6/656.17
9,236,817 B2 * 1/2016 Strothmann A47B 9/20
9,591,919 B2 3/2017 Ergun et al.
9,635,932 B2 5/2017 Kelley et al.
D819,371 S * 6/2018 Cao D6/656.16
D861,382 S * 10/2019 Hu D6/656.11
D862,129 S * 10/2019 Hu D6/656.17
D865,405 S * 11/2019 Hu D6/656.16
D875,442 S * 2/2020 Duan D6/656.16
D877,544 S * 3/2020 Hu D6/656.16
10,806,249 B2 * 10/2020 Lin A47B 9/10

(Continued)

OTHER PUBLICATIONS

Vitesse 55, posted at Amazon.com, posted on Jun. 11, 2019, site visited Apr. 21, 2021. online, available from internet: <https://www.amazon.com/Vitesse-Computer-Professional-Station-Headphone/dp/B07RBVL2ZY> (Year: 2019).*

Primary Examiner — Mary Ann Calabrese
Assistant Examiner — Catherine Ho

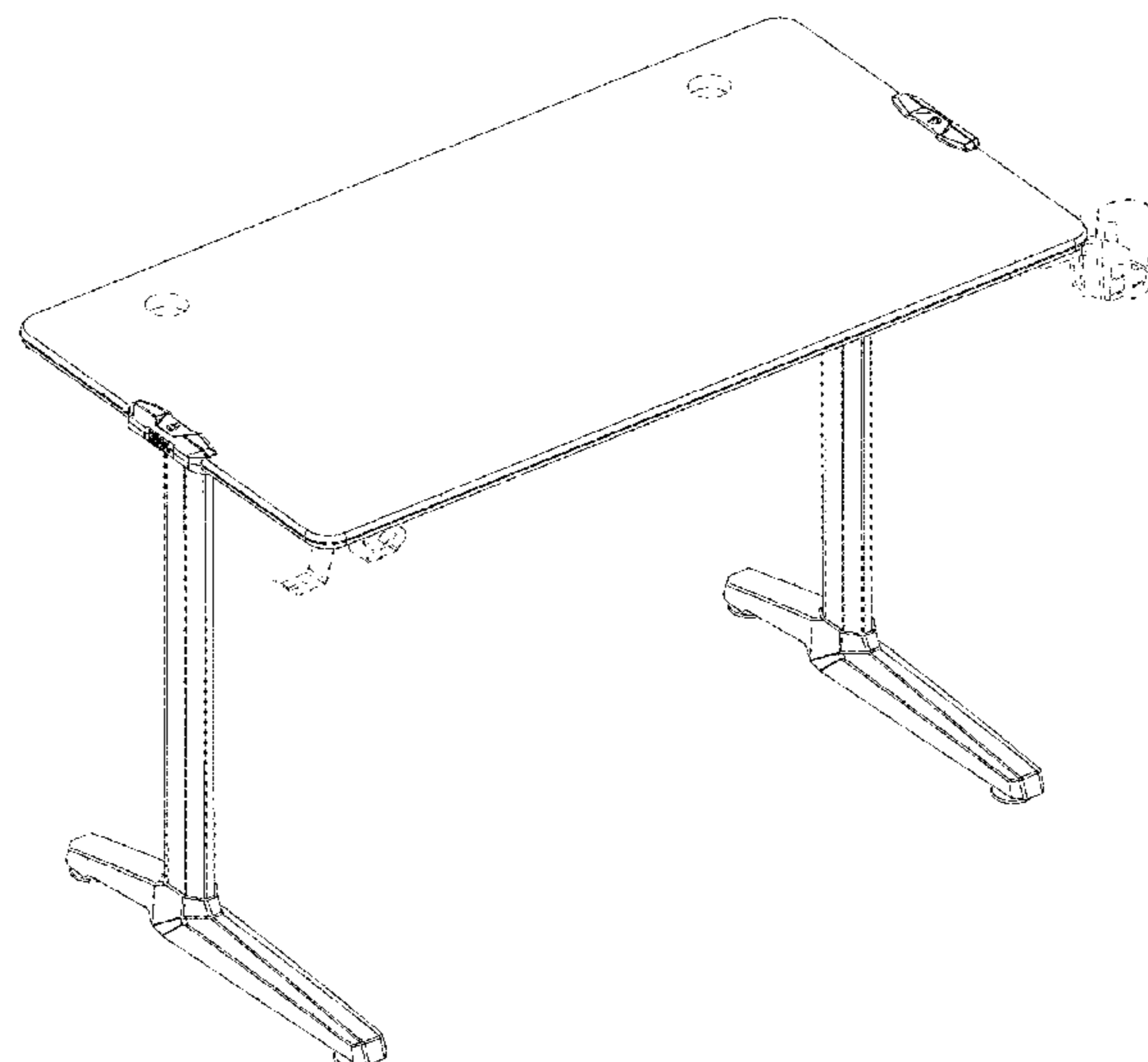
(57) **CLAIM**

I claim the ornamental design for a gaming desk, as shown and described.

DESCRIPTION

FIG. 1 is a perspective view of a gaming desk, showing my new design;
FIG. 2 is a front view thereof;
FIG. 3 is a bottom view thereof;
FIG. 4 is a top view thereof;
FIG. 5 is a rear side view thereof;
FIG. 6 is a left side view thereof; and,
FIG. 7 is a right side view thereof.
The broken line portion of the figure drawings is included to show portions of the article that forms no part of the claimed design.

1 Claim, 7 Drawing Sheets



(56)

References Cited

U.S. PATENT DOCUMENTS

2008/0178779 A1* 7/2008 Agee A47B 9/04
108/147
2014/0196553 A1* 7/2014 Rinman F16H 19/0645
74/89.2
2014/0336822 A1* 11/2014 Kristensen G05B 15/02
700/275
2016/0260019 A1* 9/2016 Riquelme Ruiz A47B 95/00
2018/0000240 A1* 1/2018 Yamamoto A47B 9/00
2018/0092457 A1* 4/2018 Lai A47B 9/12
2018/0103753 A1* 4/2018 Davidsen A47B 13/003
2018/0184799 A1* 7/2018 Lin A47B 9/04
2018/0338608 A1* 11/2018 Keller A47B 9/20
2019/0191867 A1* 6/2019 Lin F16C 3/035
2019/0200751 A1* 7/2019 Yamamoto A47B 9/20
2019/0254418 A1* 8/2019 Ryholl A47B 21/02
2020/0329862 A1* 10/2020 Tao A47B 9/12
2020/0337451 A1* 10/2020 Tao A47B 9/12
2021/0000250 A1* 1/2021 Hoyer A47B 9/00
2021/0030146 A1* 2/2021 Riebner A47B 9/00
2021/0037962 A1* 2/2021 Applegate A47B 3/0815

* cited by examiner

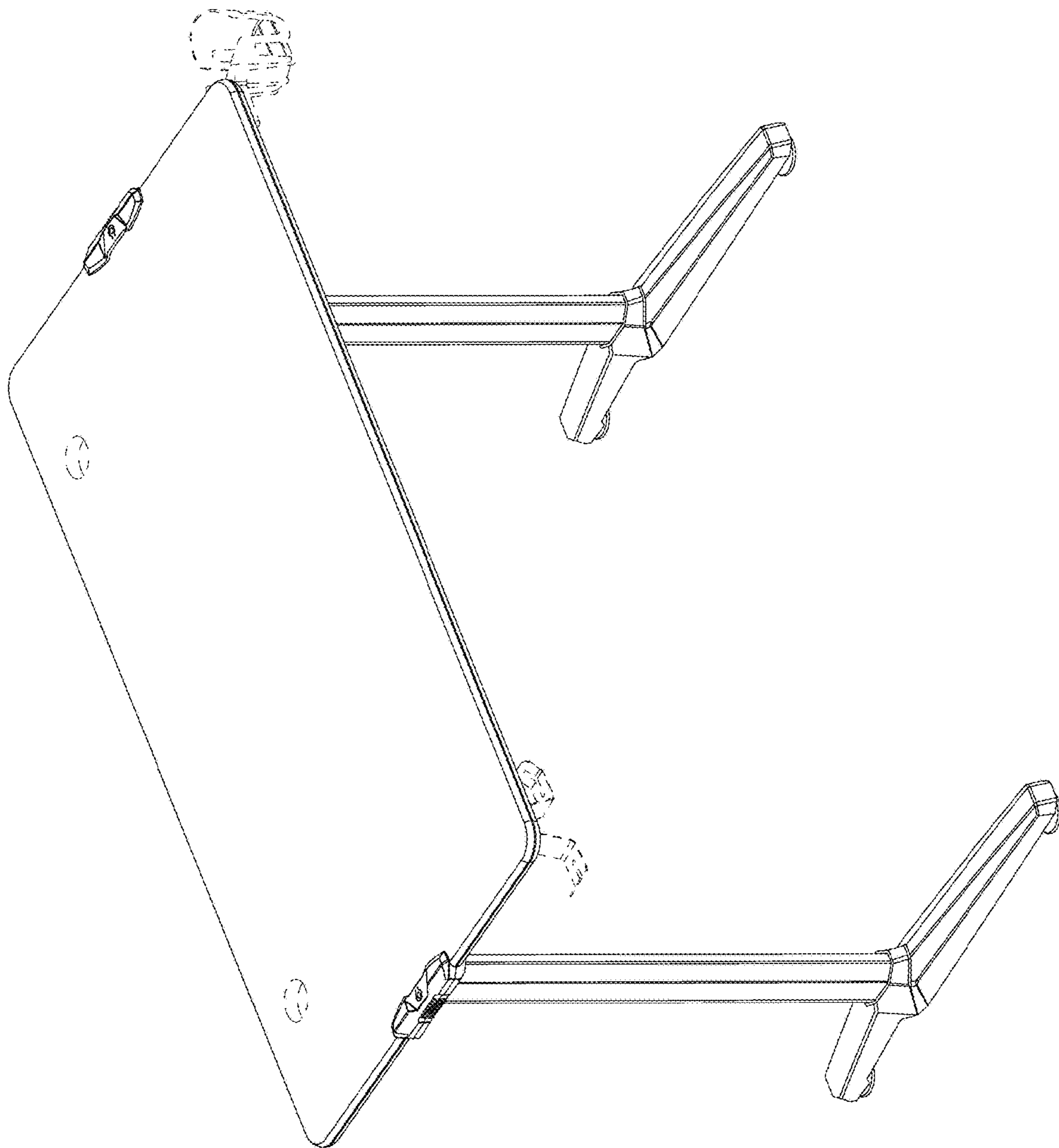


FIG.1

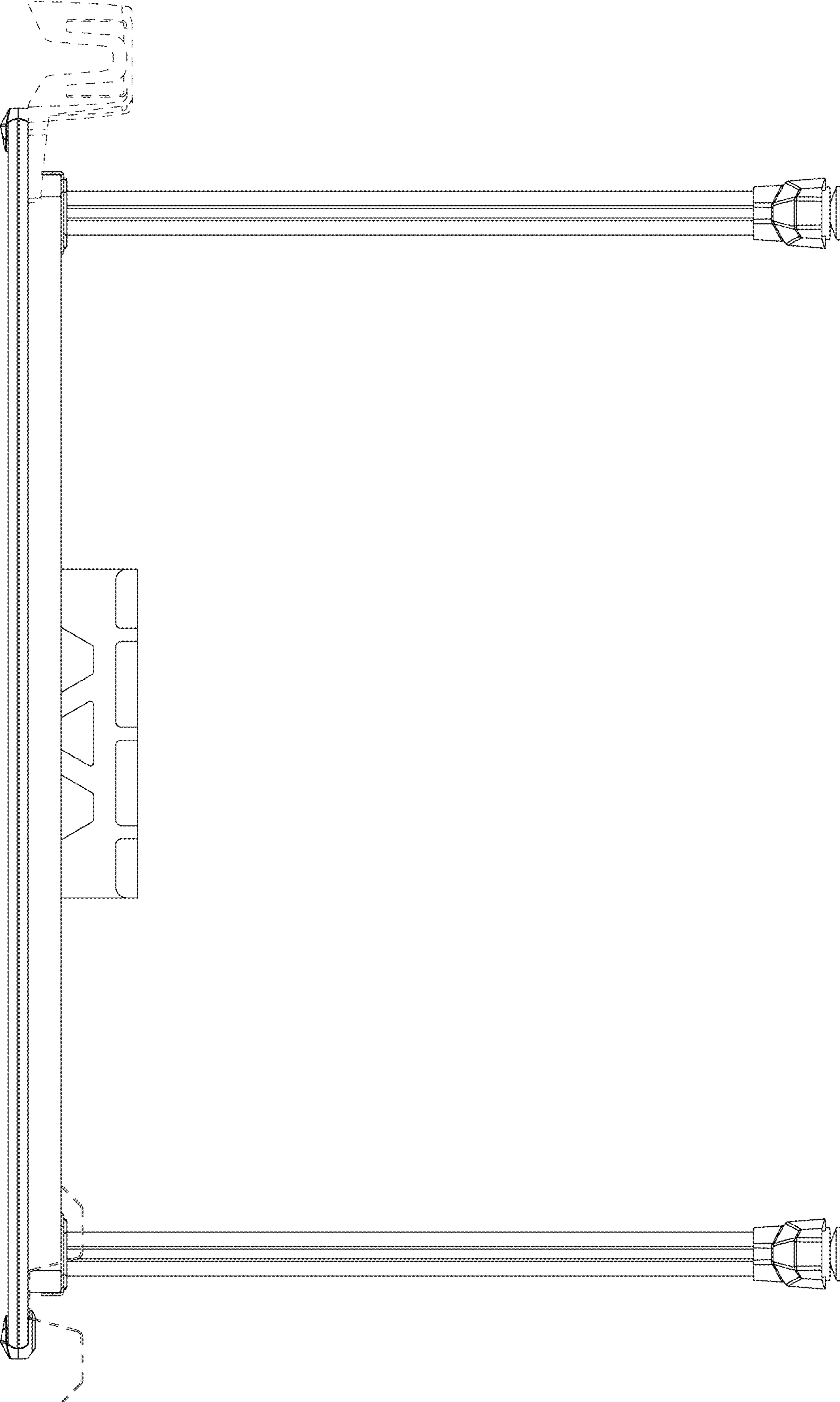


FIG.2

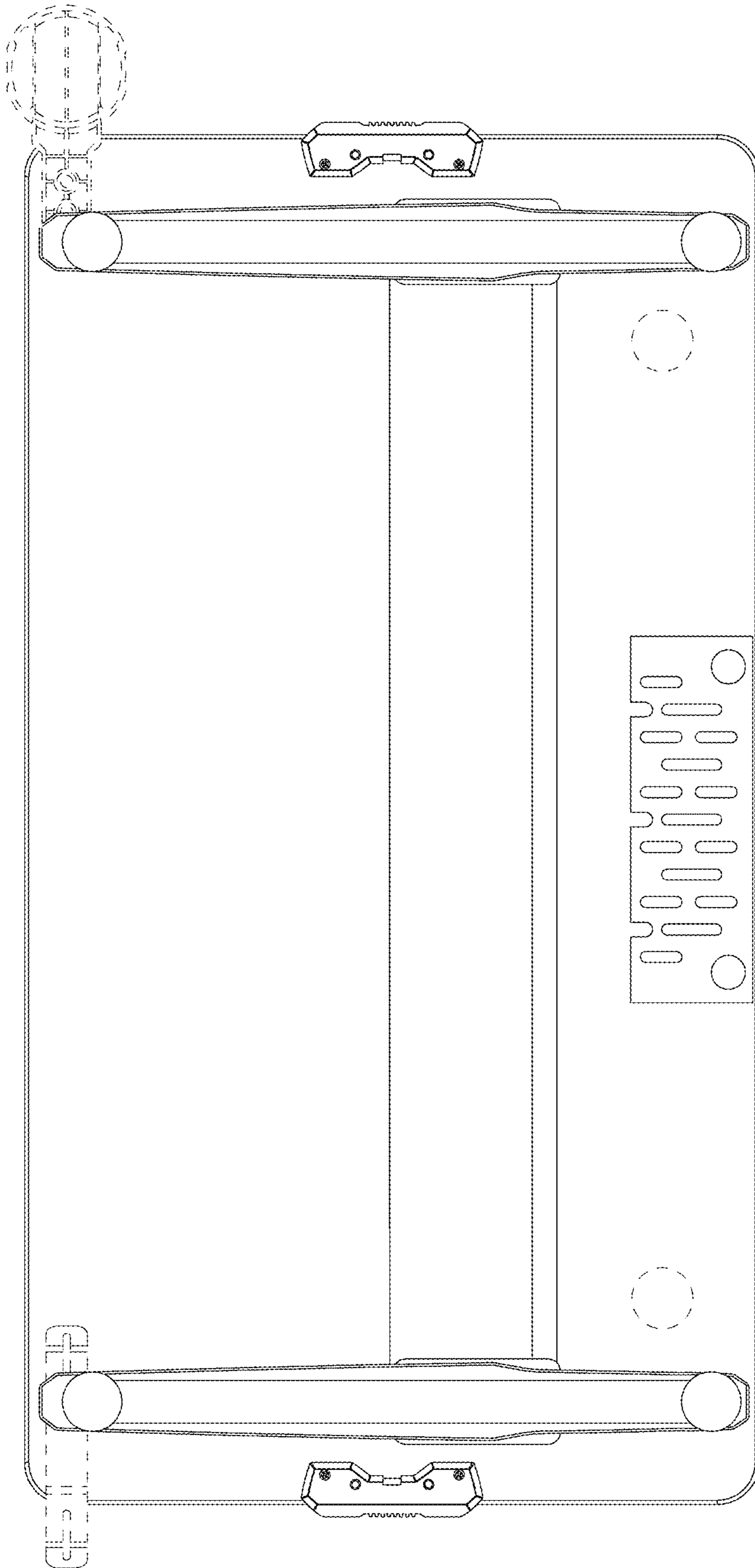


FIG.3

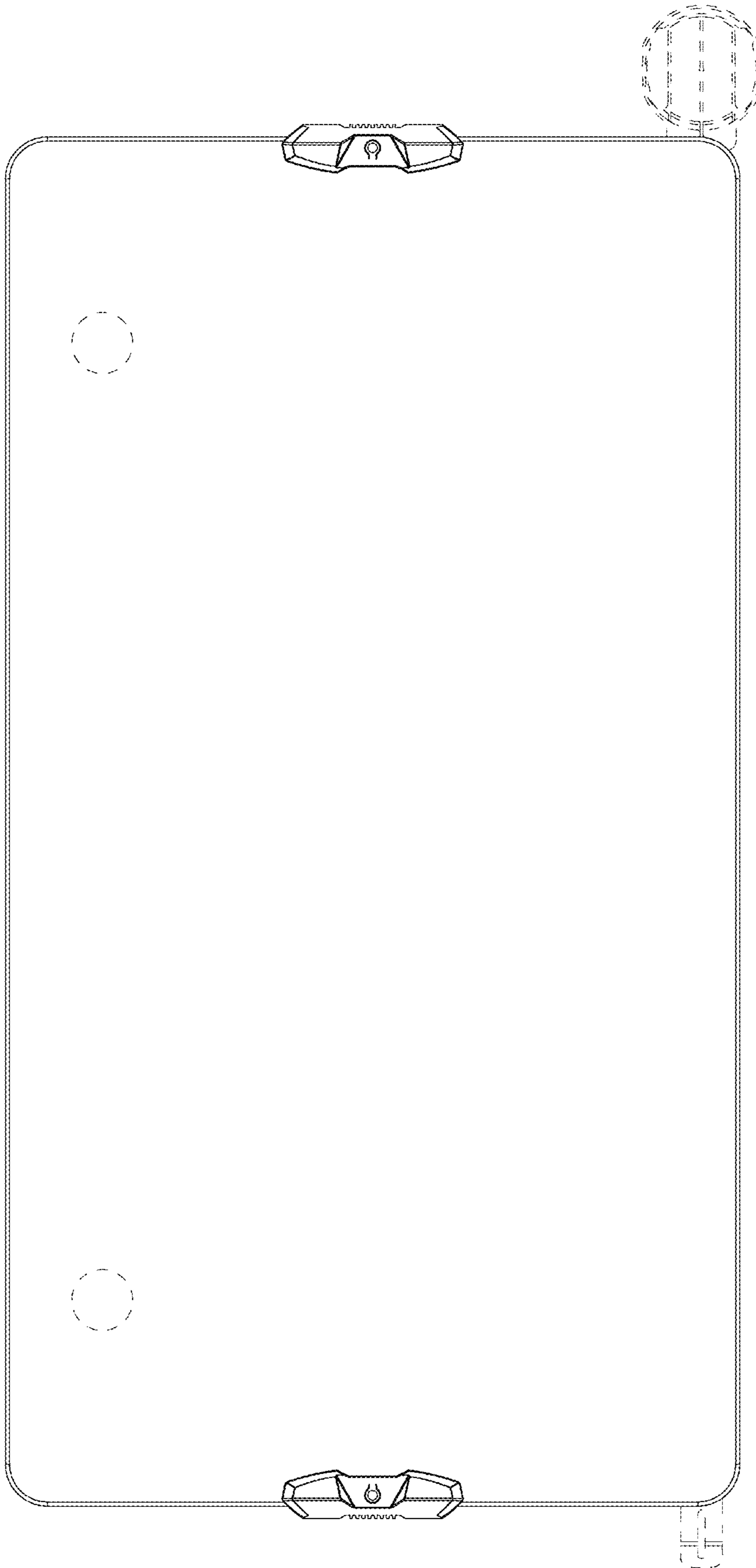


FIG.4

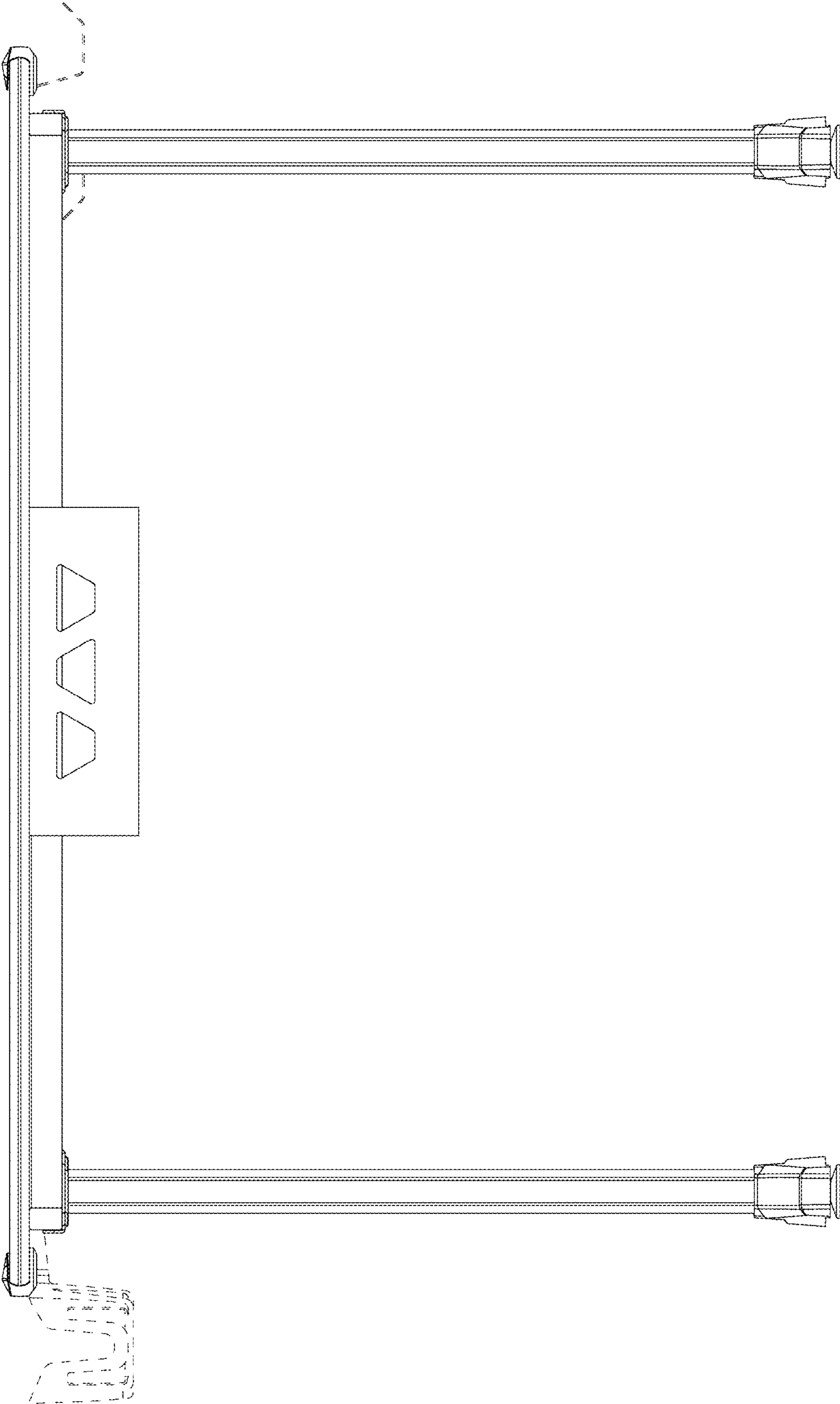


FIG.5

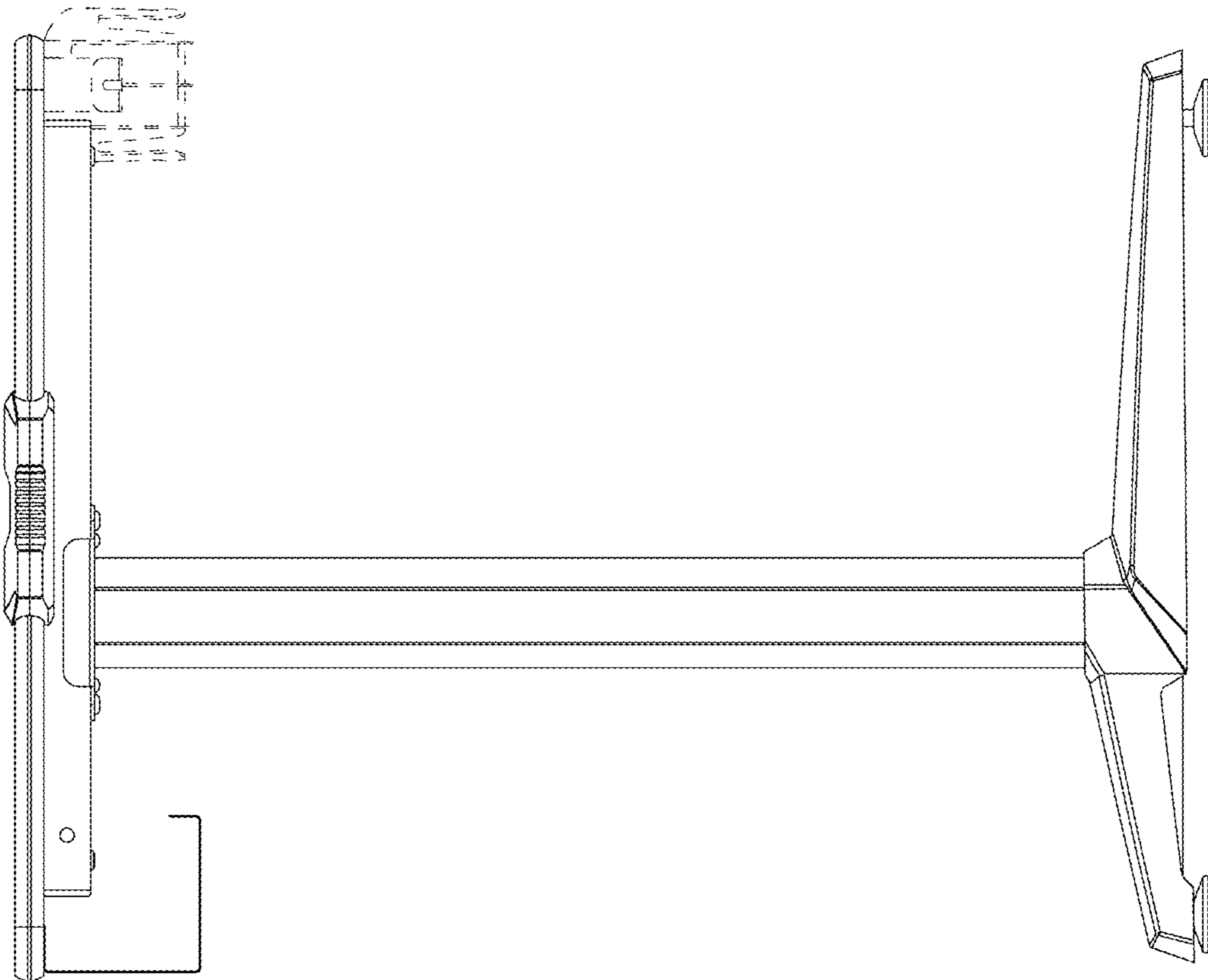


FIG.6

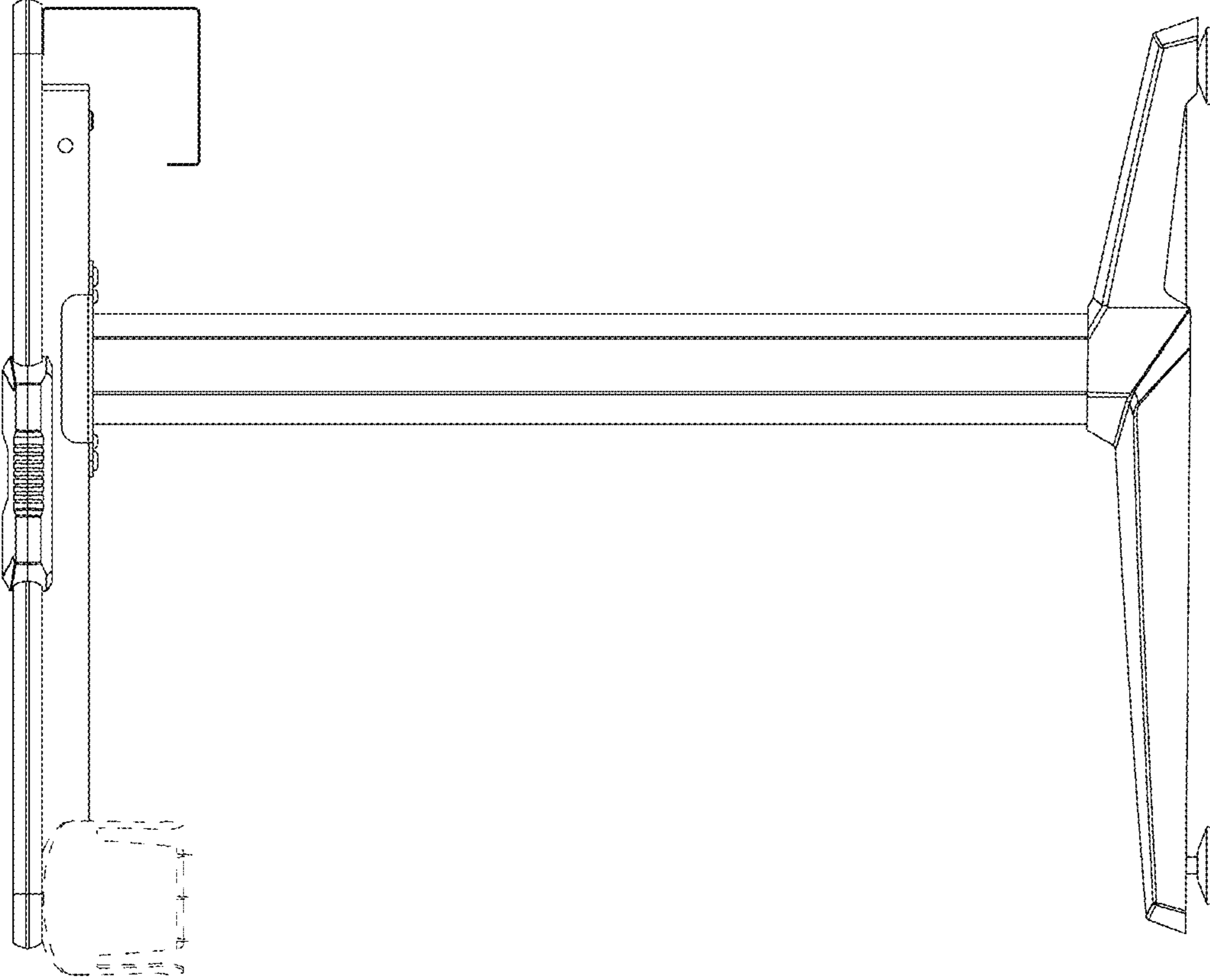


FIG.7