



US00D926497S

(12) **United States Design Patent** (10) **Patent No.:** **US D926,497 S**
Zhou (45) **Date of Patent:** **** Aug. 3, 2021**

(54) **ADJUSTABLE LAPTOP COMPUTER DESK**

OTHER PUBLICATIONS

(71) Applicant: **SHENZHEN TONGHUA WEIYE TECHNOLOGY CO., LTD.**, Shenzhen (CN)

WorkEZ, posted at Amazon.com, posted on Mar. 15, 2013, site visited Apr. 20, 2021. online, available from internet: <https://www.amazon.com/Ergonomic-Portable-Lightweight-Adjustable-table-top/dp/B00BUQA1E8> (Year: 2013).*

(72) Inventor: **Wei Zhou**, Shenzhen (CN)

(Continued)

(73) Assignee: **SHENZHEN TONGHUA WEIYE TECHNOLOGY CO., LTD.**, Shenzhen (CN)

Primary Examiner — Mary Ann Calabrese
Assistant Examiner — Catherine Ho

(**) Term: **15 Years**

(57) **CLAIM**

(21) Appl. No.: **29/738,476**

The ornamental design for an adjustable laptop computer desk, as shown and described.

(22) Filed: **Jun. 17, 2020**

DESCRIPTION

(51) **LOC (13) Cl.** **06-03**

(52) **U.S. Cl.**
USPC **D6/656.11**

(58) **Field of Classification Search**
USPC D6/641, 642, 648, 648.1, 650, 650.1, D6/655, 656, 656.1, 656.11, 656.12, D6/656.13, 656.14, 656.15, 656.16, D6/656.17, 656.18, 656.19, 675, 686, D6/688.14, 688.15, 691, 691.5, 691.1, D6/691.6, 691.7, 694.2, 697, 705, 705.4, D6/705.5, 705.7, 706, 707.18, 707.19, D6/707.22
CPC A47B 1/00; A47B 7/00; A47B 9/10; A47B 9/16; A47B 2009/006; A47B 11/00; A47B 13/00; A47B 13/081; A47B 21/0073; A47B 21/02; A47B 21/03; A47B 2200/0064; A47B 9/00; A47B 9/02; A47B 9/04; A47B

FIG. 1 is a top, front, right side perspective view of an adjustable laptop computer desk showing my new design; FIG. 2 is a bottom, rear, left side perspective view thereof; FIG. 3 is a front elevational view thereof; FIG. 4 is a rear elevational view thereof; FIG. 5 is a left side elevational view thereof; FIG. 6 is a right side elevational view thereof; FIG. 7 is a top plan view thereof; FIG. 8 is a bottom plan view thereof; FIG. 9 is a perspective view showing the adjustable laptop computer desk in an extended position; FIG. 10 is a perspective view showing the adjustable laptop computer desk in an alternate extended position; FIG. 11 is a perspective view showing the adjustable laptop computer desk in a folded position; FIG. 12 is an enlarged view of portion 12 in FIG. 1; FIG. 13 is an enlarged view of portion 13 in FIG. 1; FIG. 14 is an enlarged view of portion 14 in FIG. 2; FIG. 15 is an enlarged view of portion 15 in FIG. 2; and, FIG. 16 is an enlarged view of portion 16 in FIG. 10. The broken lines in the drawings depict portions of the adjustable laptop computer desk that form no part of the claimed design.

(Continued)

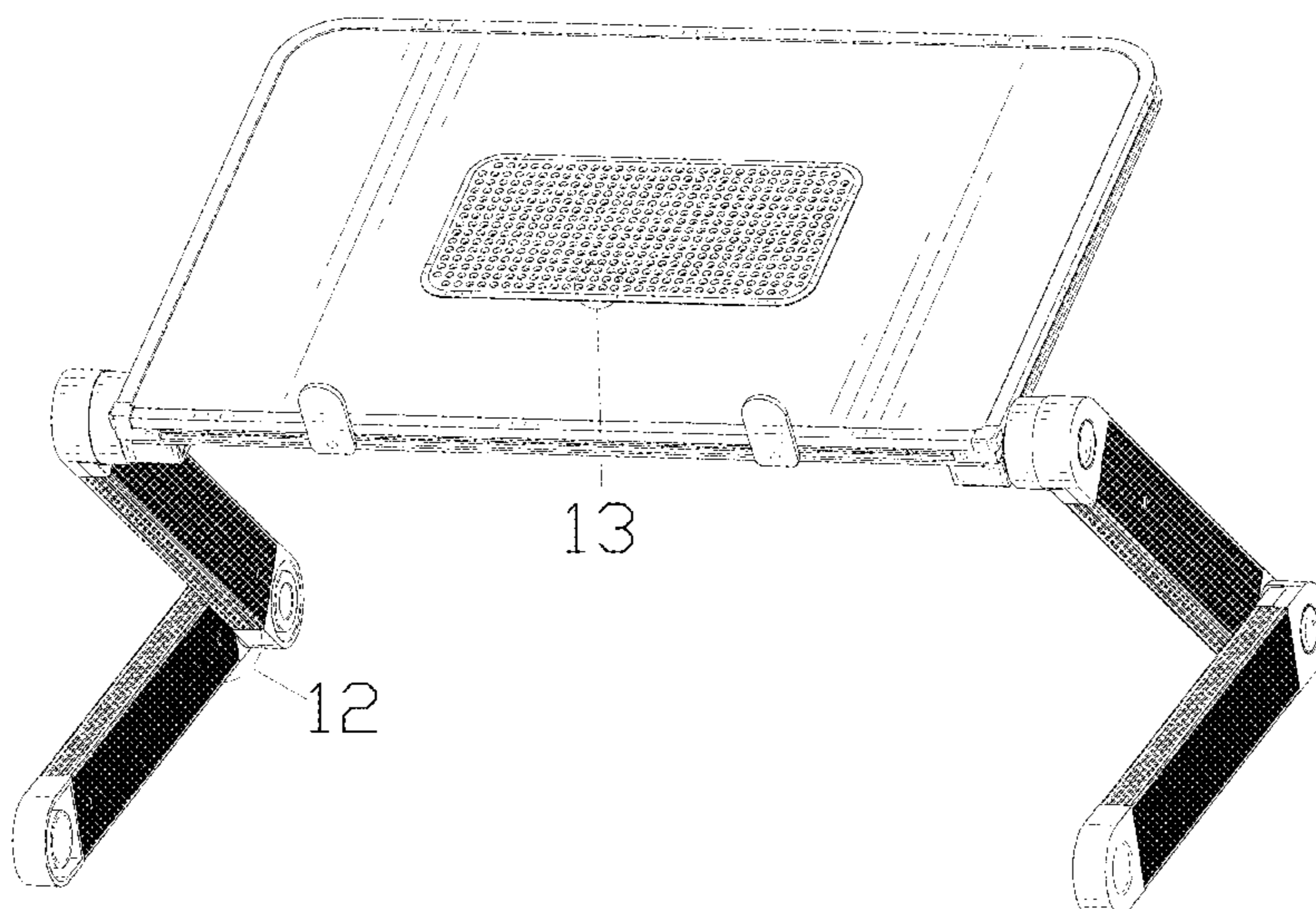
(56) **References Cited**

U.S. PATENT DOCUMENTS

9,326,598 B1 * 5/2016 West A47B 3/02
9,615,655 B1 * 4/2017 Huang A47B 9/02

(Continued)

1 Claim, 16 Drawing Sheets



(58) **Field of Classification Search**

CPC 9/12; A47B 2200/0035; A47B 2200/005;
A47B 2200/0056

See application file for complete search history.

(56) **References Cited**

U.S. PATENT DOCUMENTS

9,635,929 B1 * 5/2017 Wu A47B 3/02
D841,369 S * 2/2019 Hu D6/655
D845,037 S * 4/2019 Min D6/655
D864,619 S * 10/2019 Hu D6/655
10,575,630 B1 * 3/2020 Poniatowski A47B 21/02
2010/0031855 A1 * 2/2010 Zhu A47B 23/042
108/4
2013/0139736 A1 * 6/2013 Flaherty A47B 9/16
108/106
2015/0289641 A1 * 10/2015 Ergun A47B 9/18
108/42
2020/0268144 A1 * 8/2020 Mehandjiysky A47B 21/03

OTHER PUBLICATIONS

Adjustable Height, posted at Amazon.com, posted on Dec. 2, 2012,
site visited Apr. 20, 2021. online, available from internet: <https://www.amazon.com/dp/B00AGX1C08> (Year: 2012).*

Book Reading Stand, posted at Amazon.com, posted on Jul. 27,
2020, site visited Apr. 20, 2021. online, available from internet:
<https://www.amazon.com/dp/B08DN9DNJZ> (Year: 2020).*

Uncaged Ergonomics, posted at Amazon.com, posted on May 23,
2014, site visited Apr. 20, 2021. online, available from internet:
<https://www.amazon.com/dp/B00KJ1ILVK> (Year: 2014).*

* cited by examiner

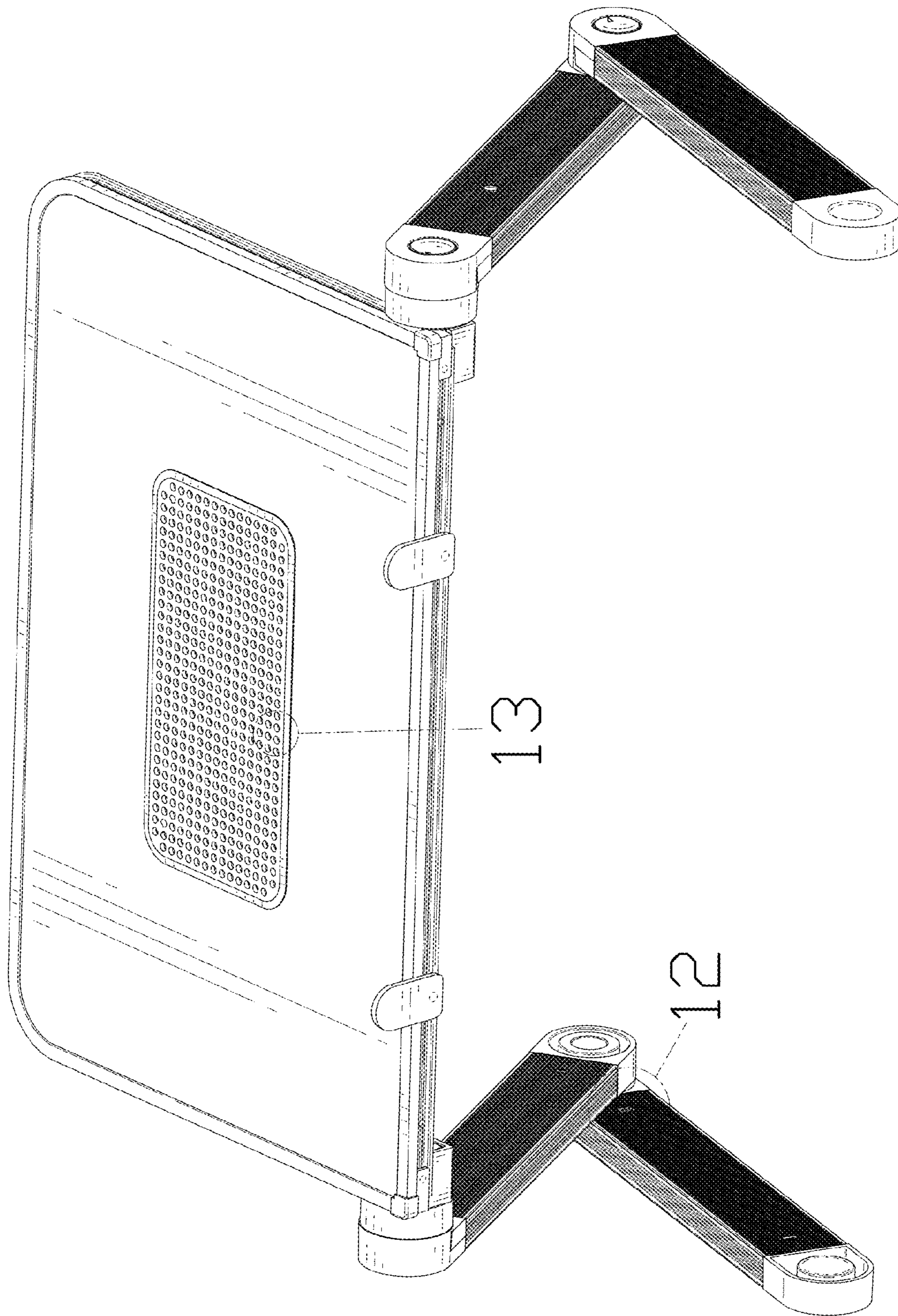


FIG. 1

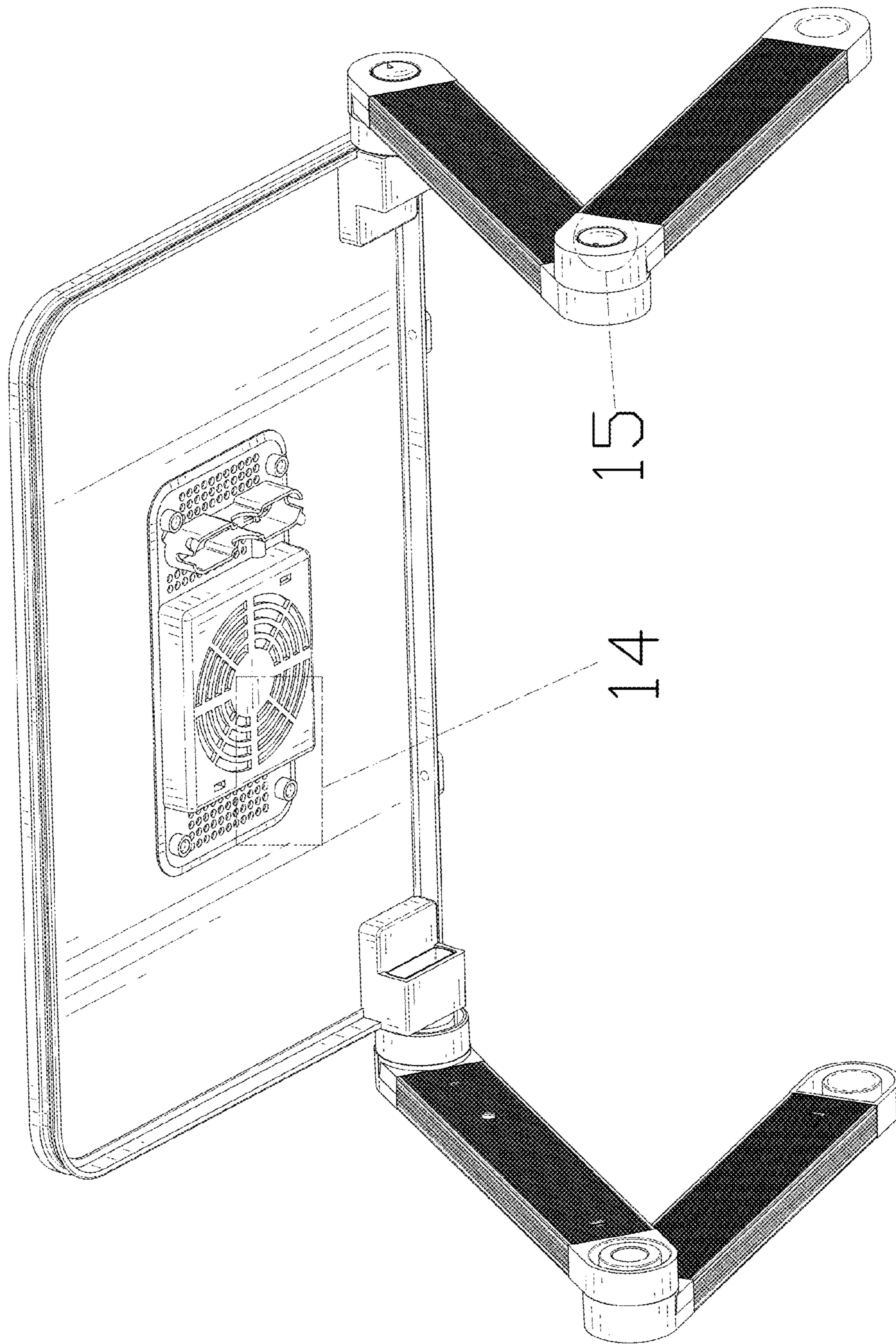


FIG. 2

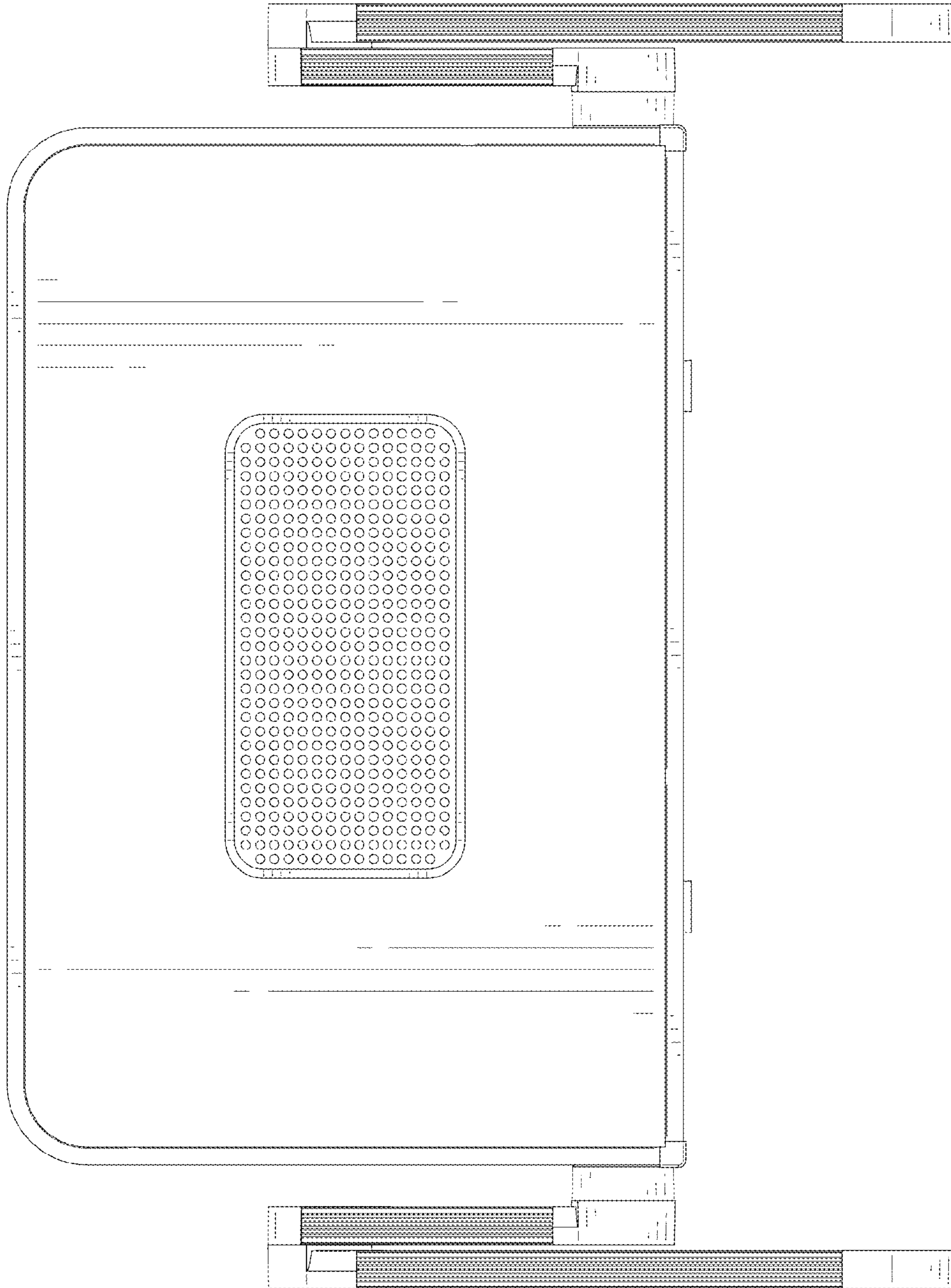


FIG. 3

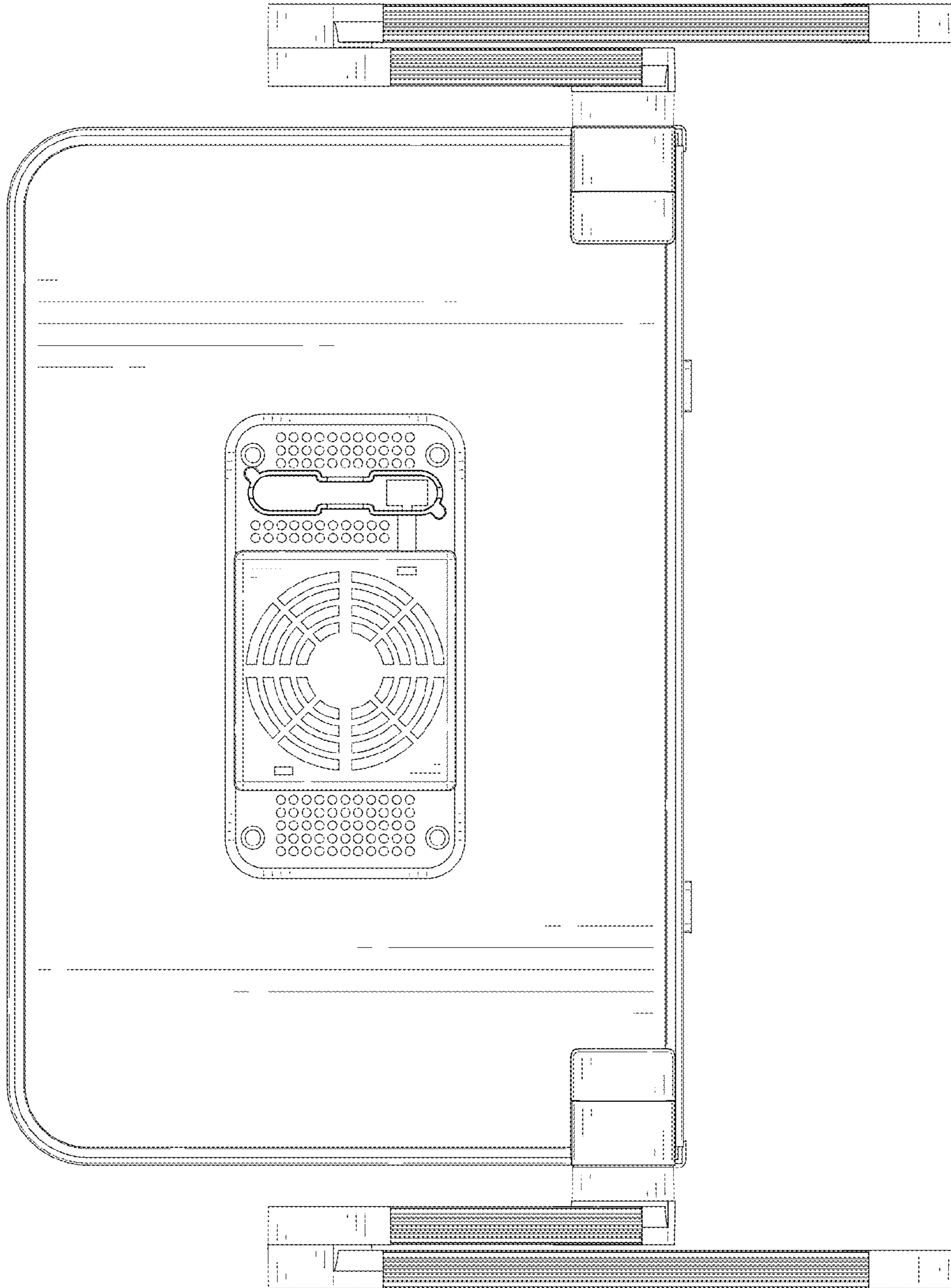


FIG. 4

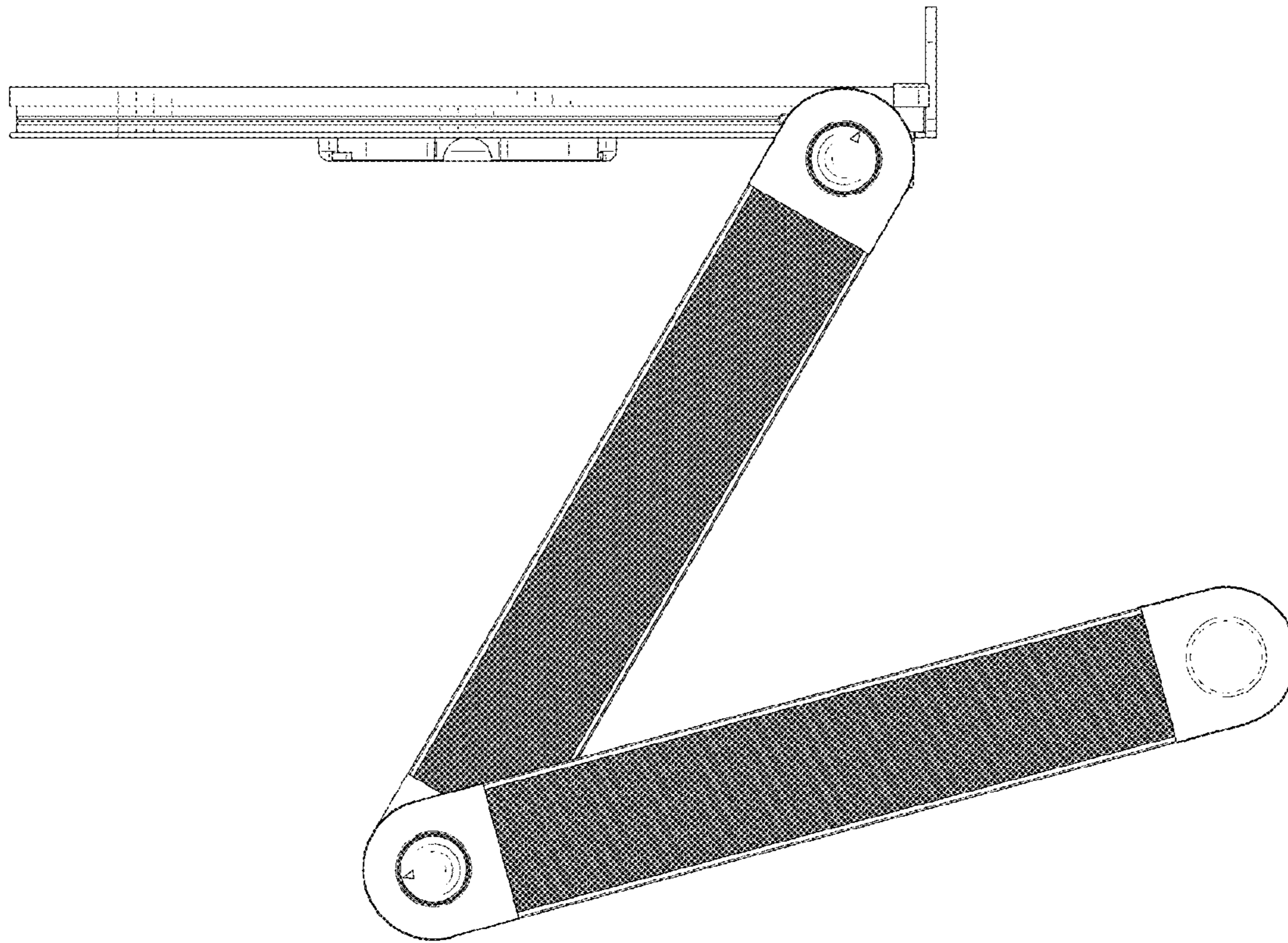


FIG. 5

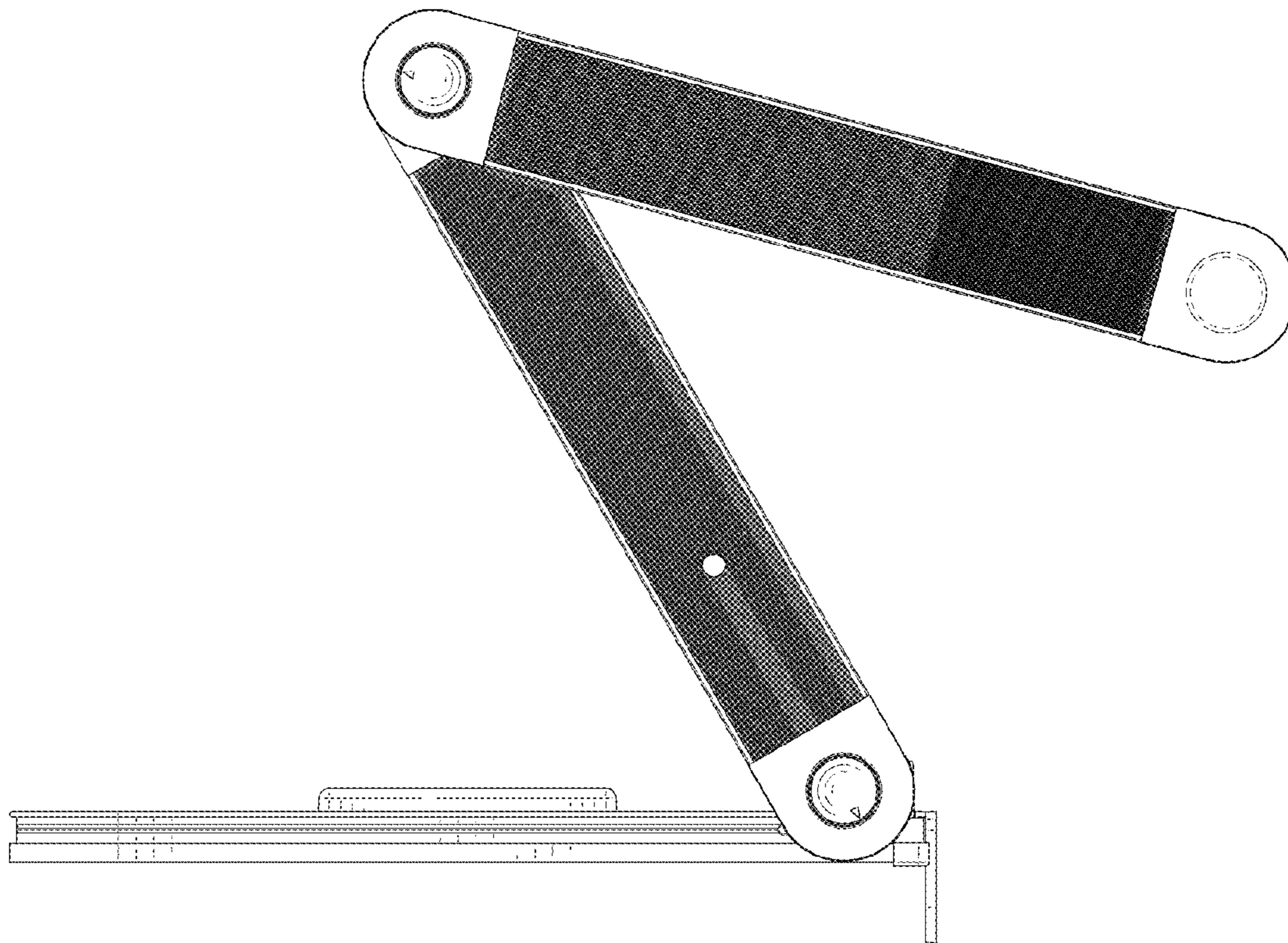


FIG. 6

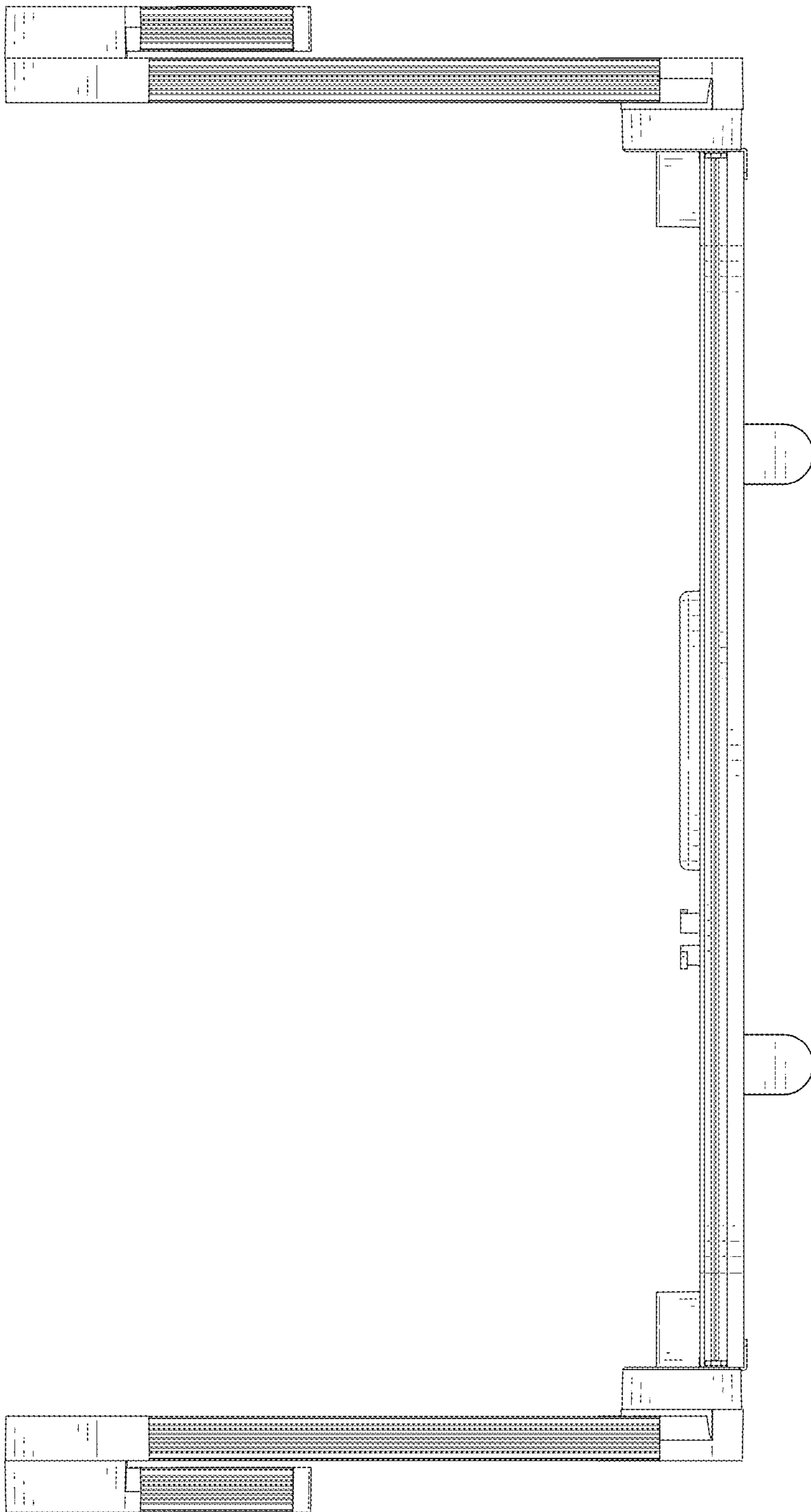


FIG. 7

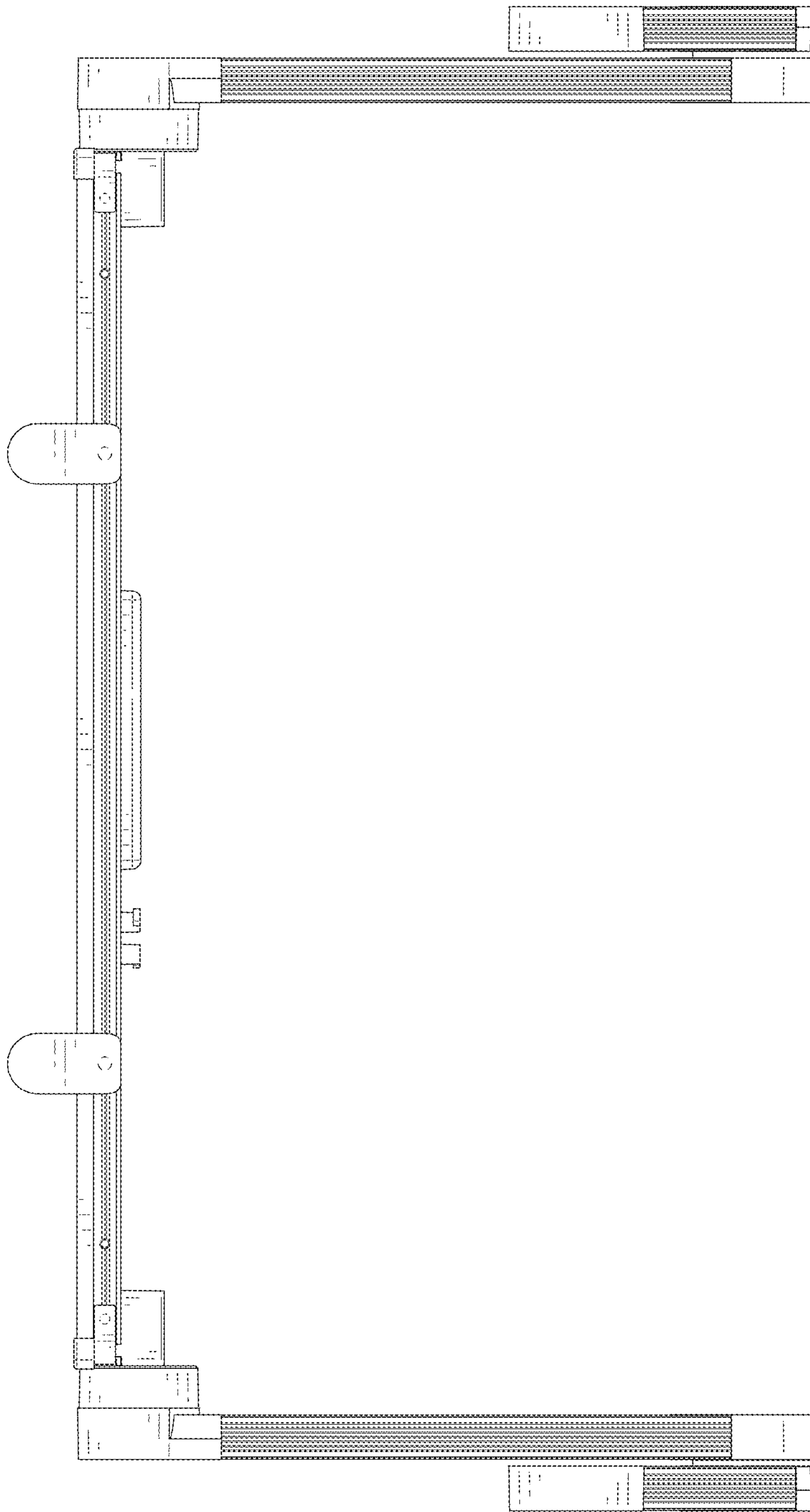


FIG. 8

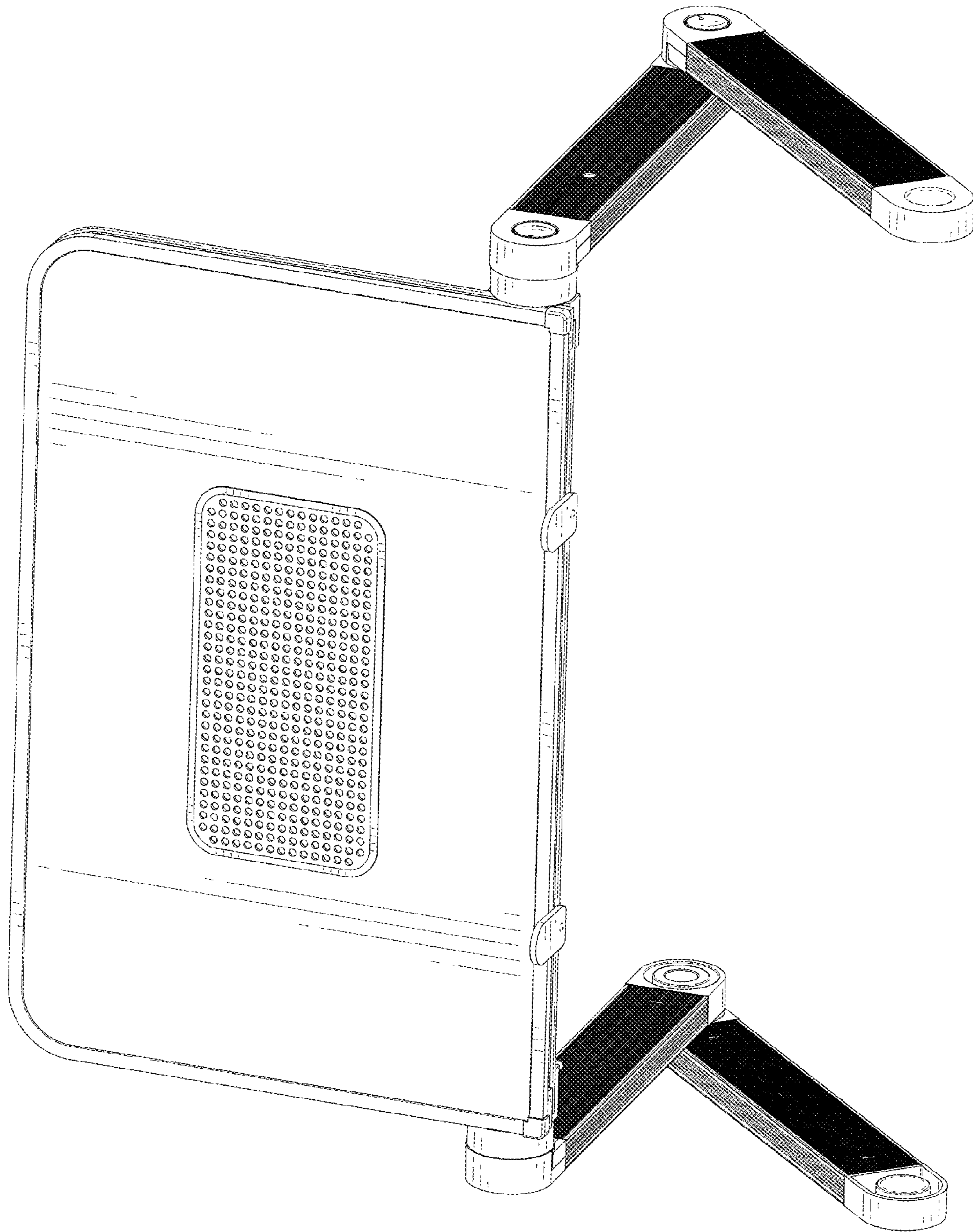


FIG. 9

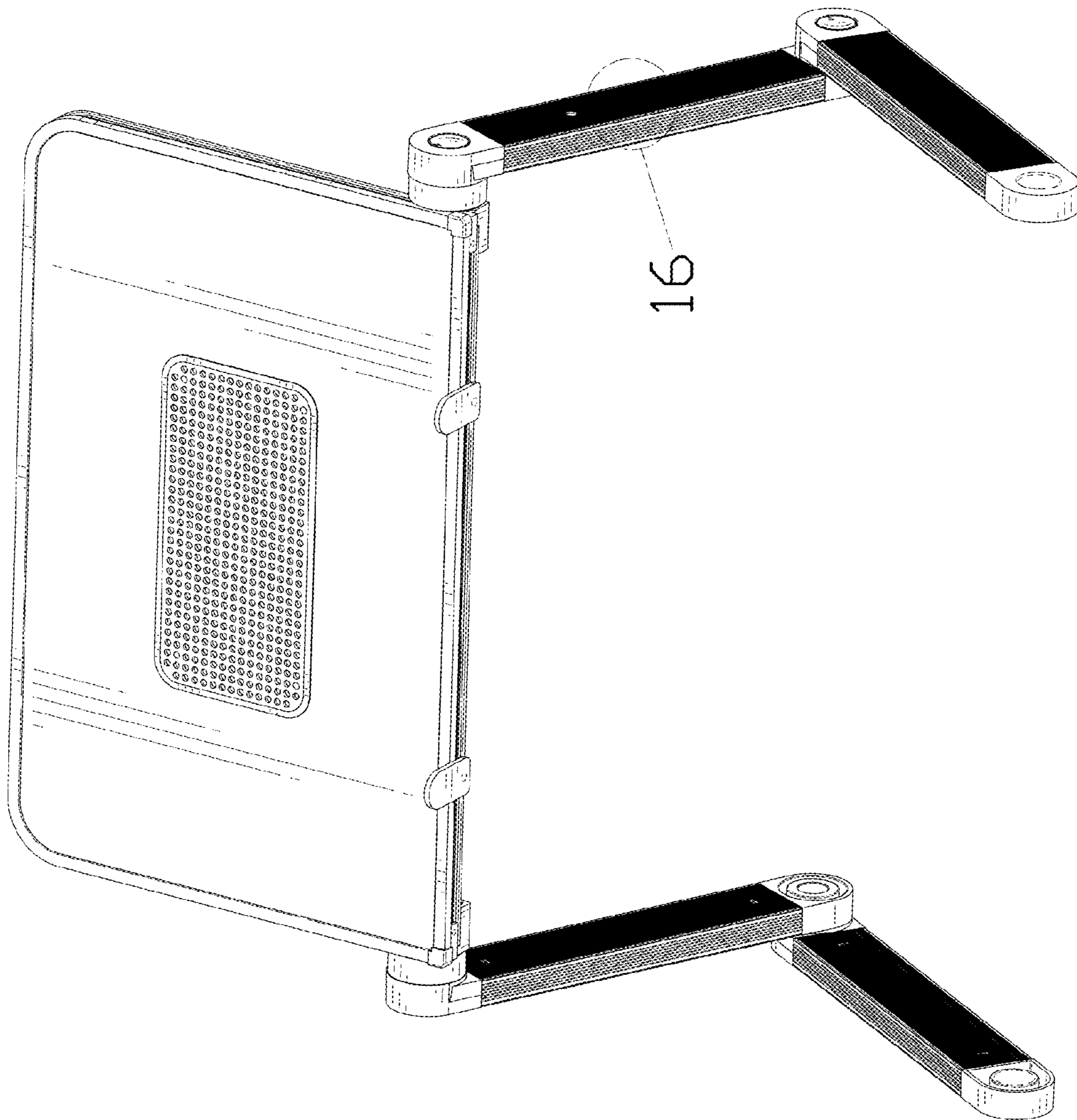


FIG. 10

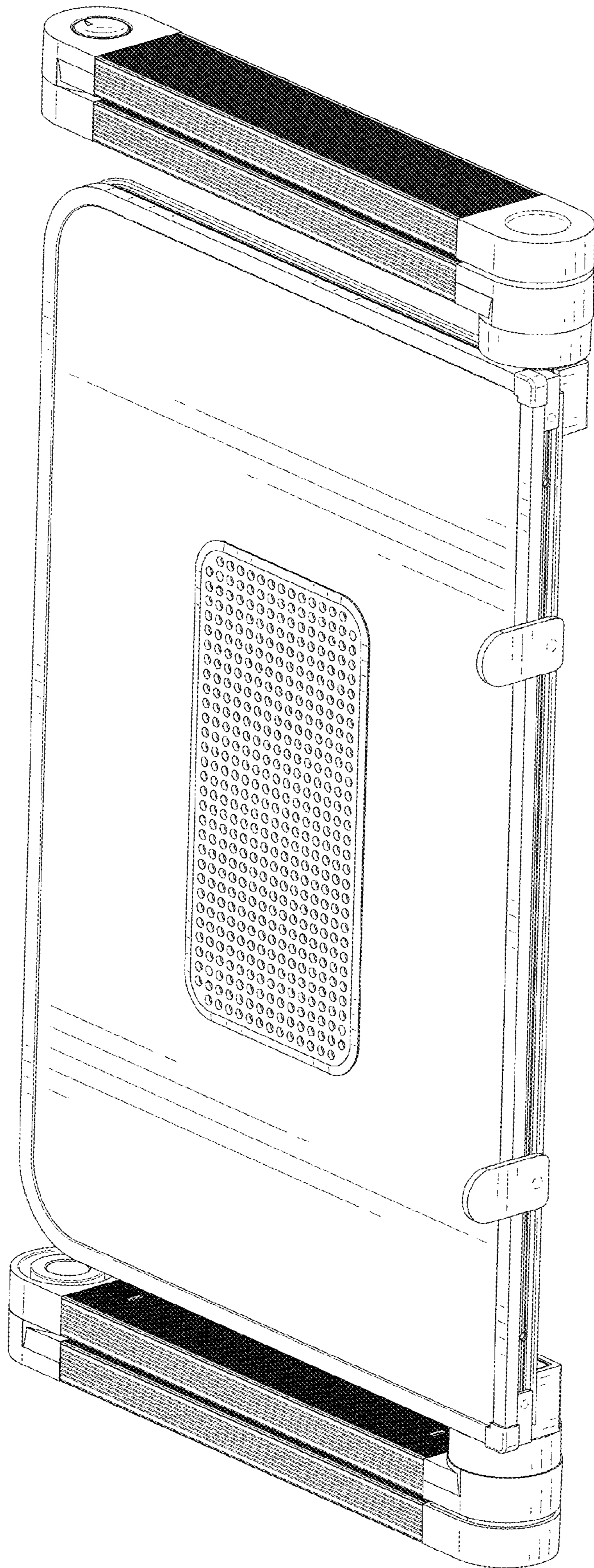


FIG. 11

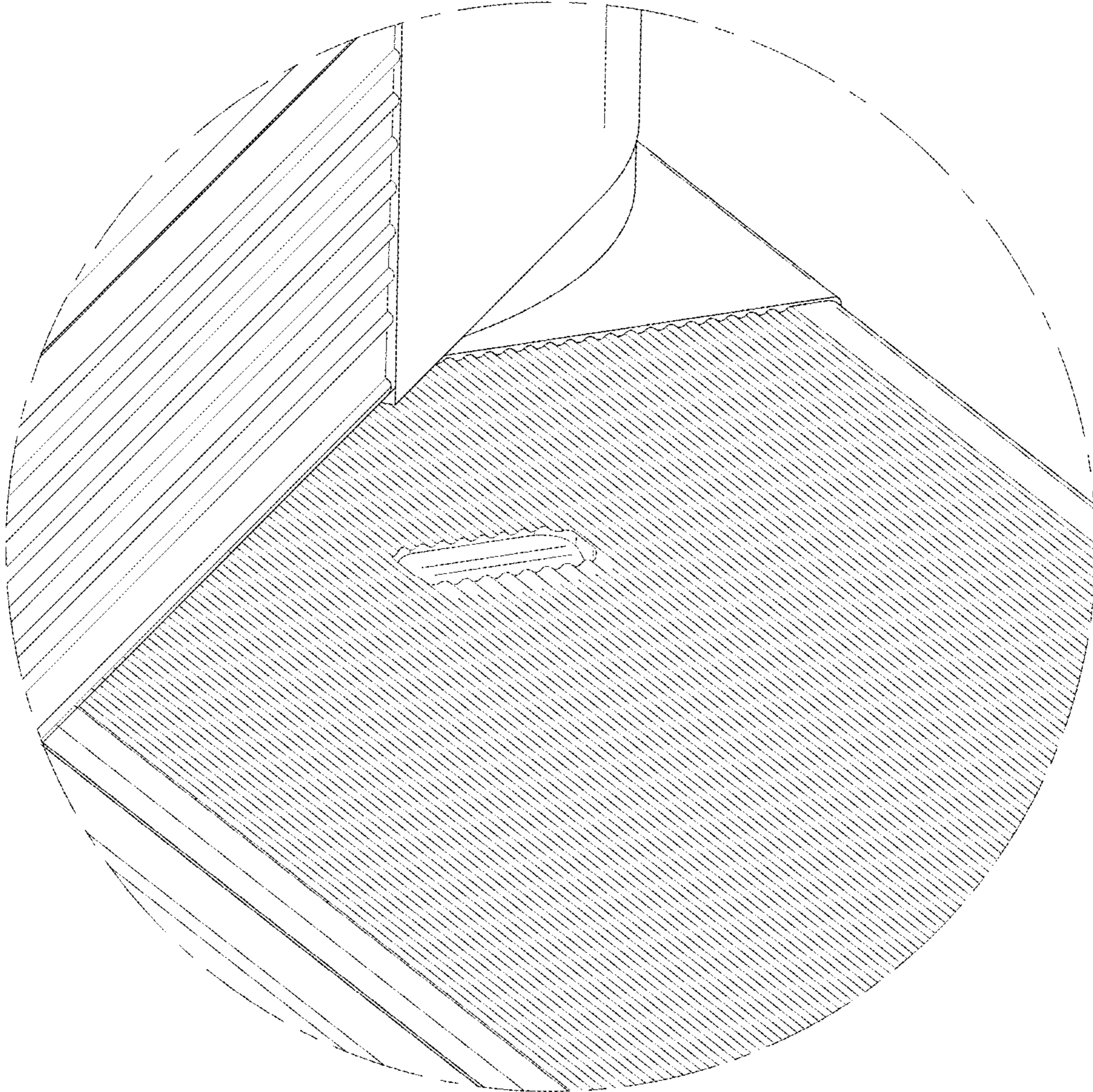


FIG. 12

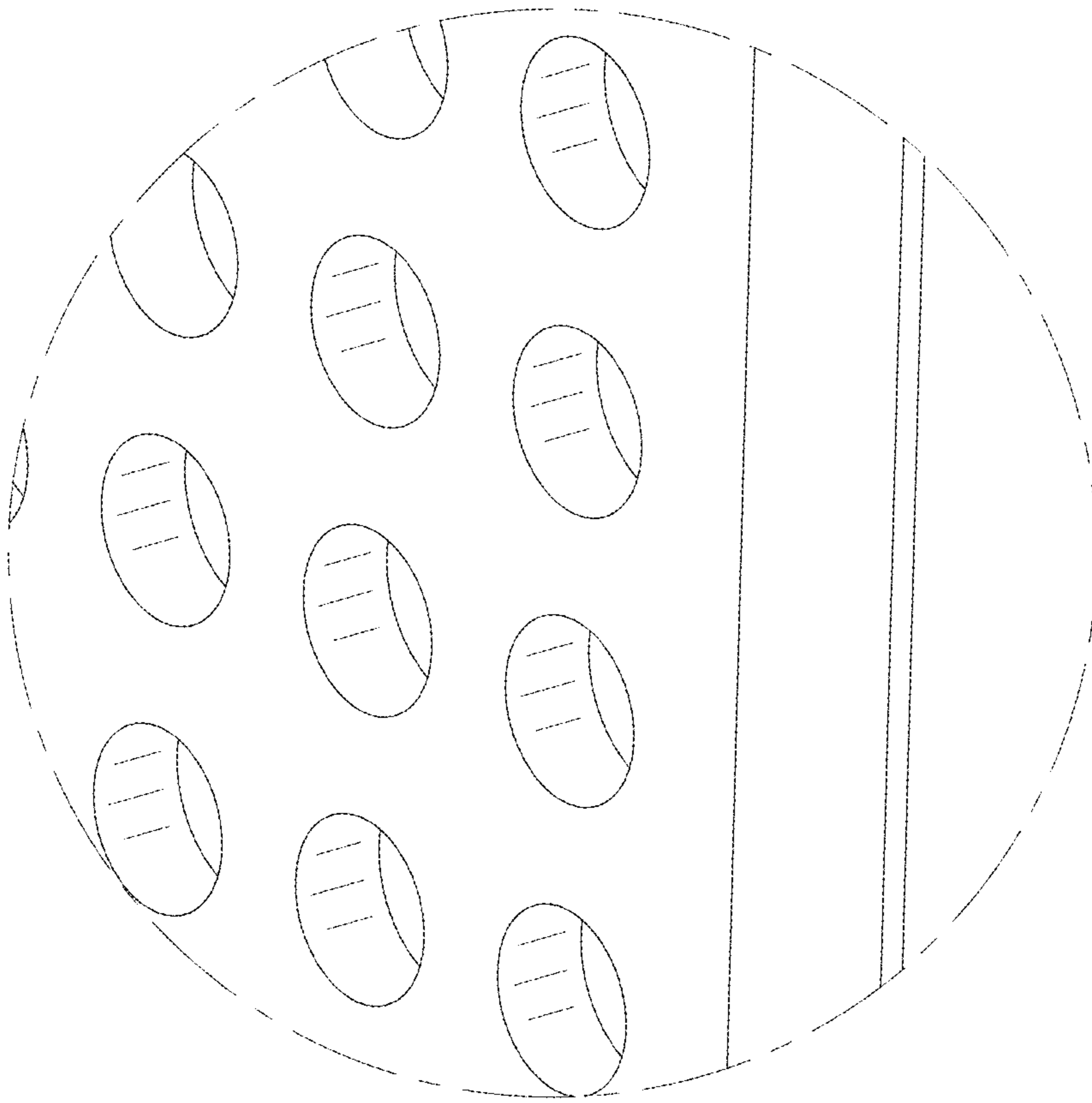


FIG. 13

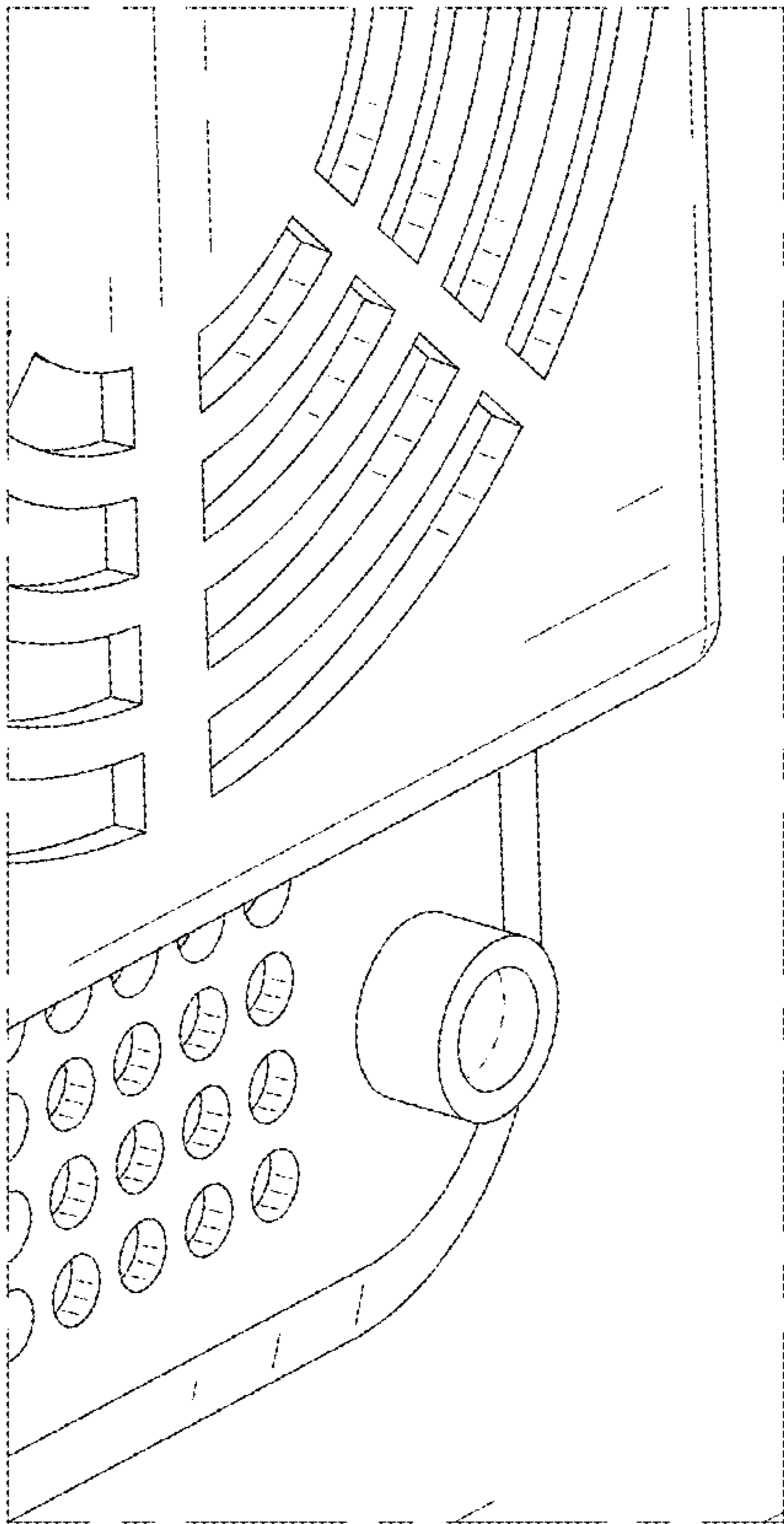


FIG. 14

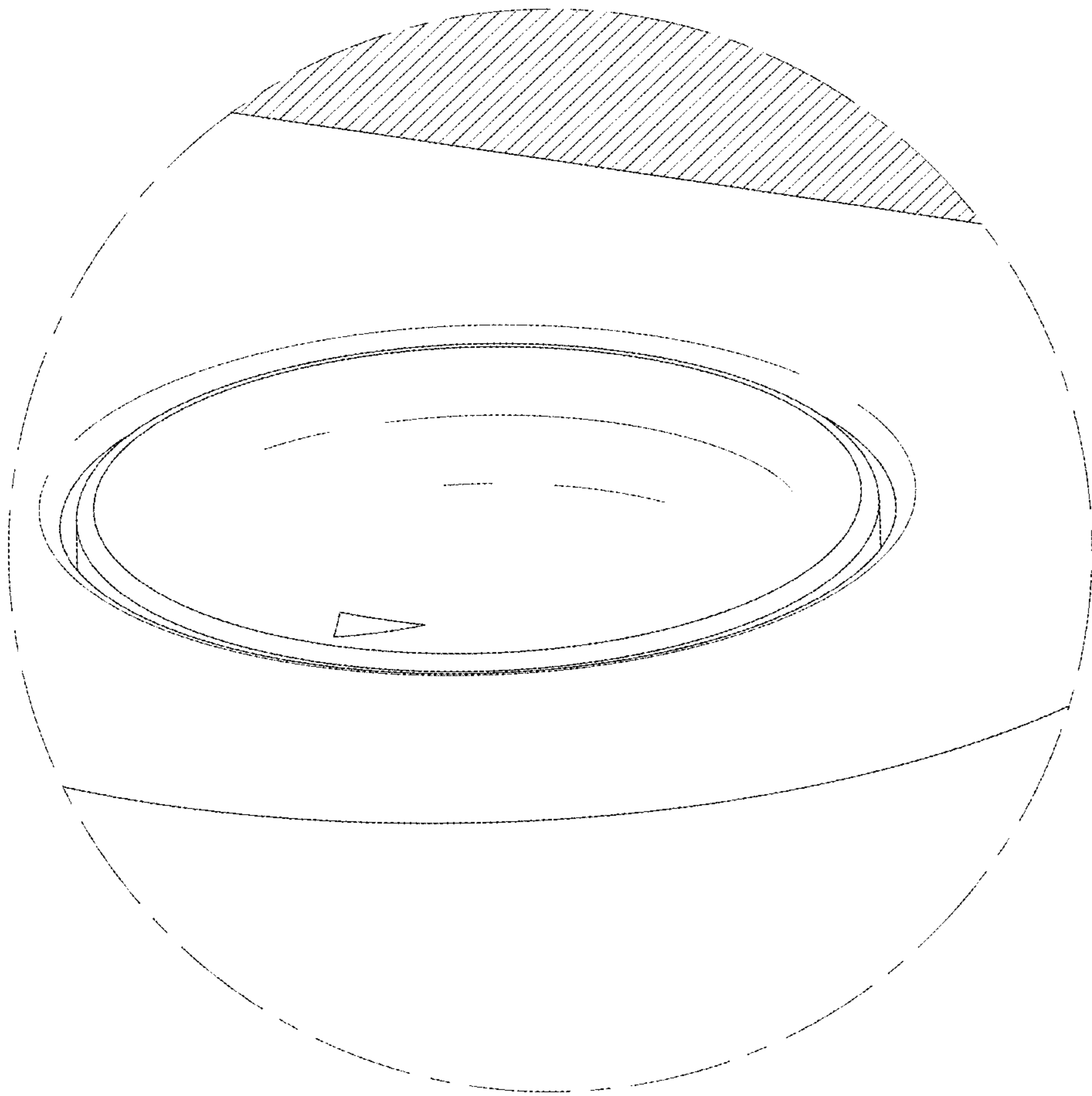


FIG. 15

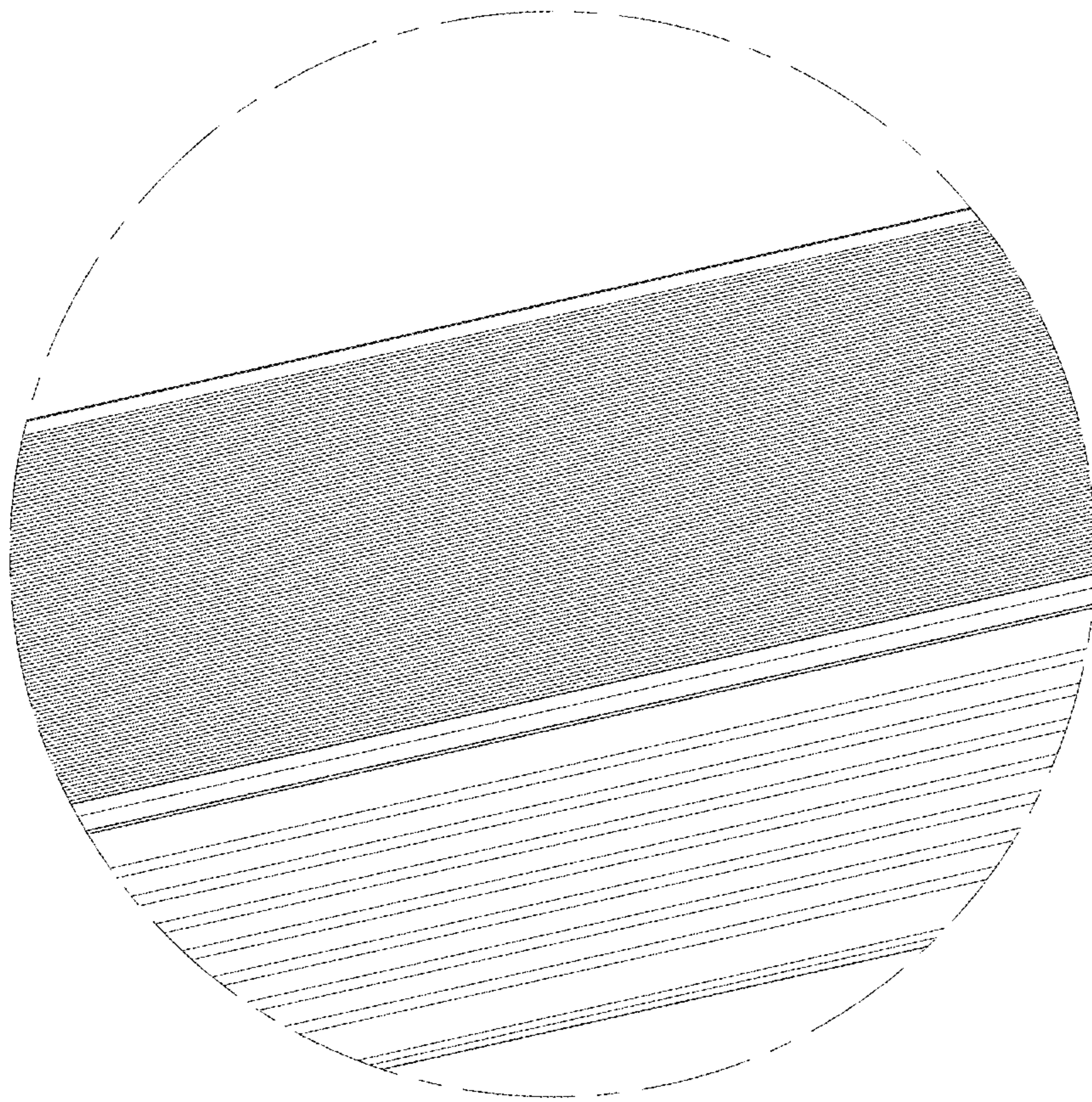


FIG. 16