



US00D926495S

(12) **United States Design Patent**
Bellingroth et al.

(10) **Patent No.:** **US D926,495 S**

(45) **Date of Patent:** **** Aug. 3, 2021**

(54) **MOVABLE MATTRESS SUPPORT FRAME**

(71) Applicant: **JIAXING SAINUO MACHINERY CO., LTD.,** Jiaxing (CN)

(72) Inventors: **Klaus Bellingroth,** Jiaxing (CN);
Chunxiang Wang, Jiaxing (CN)

(73) Assignee: **JIAXING SAINUO MACHINERY CO., LTD.,** Jiaxing (CN)

(**) Term: **15 Years**

(21) Appl. No.: **29/708,949**

(22) Filed: **Oct. 10, 2019**

(30) **Foreign Application Priority Data**

Jul. 16, 2019 (CN) 201930378093.5

(51) **LOC (13) Cl.** **06-99**

(52) **U.S. Cl.**
USPC **D6/606**

(58) **Field of Classification Search**
USPC D6/382, 595, 596, 605, 606, 607;
D34/38
CPC A47C 23/00; A47C 23/06; A47C 23/061;
A47C 23/062; A47C 23/66; A47C
23/067; A47C 23/068; A47C 19/02
See application file for complete search history.

(56) **References Cited**

U.S. PATENT DOCUMENTS

- 3,813,713 A * 6/1974 Kipfer A47C 23/067
5/238
- D254,583 S * 4/1980 Bergenwall D6/392
- D259,679 S * 6/1981 Sroub D6/361
- D278,392 S * 4/1985 Bayly D6/361
- D301,412 S * 6/1989 Duvivier D6/361
- D421,346 S * 3/2000 Cuereel D6/382
- D862,104 S * 10/2019 Suzuki D6/383
- 2003/0028963 A1 * 2/2003 McCraw A47C 23/30
5/246

- 2006/0123551 A1 * 6/2006 Hsia A47C 23/06
5/706
- 2012/0073053 A1 * 3/2012 Turner A61G 7/015
5/618
- 2013/0191993 A1 * 8/2013 Rawls-Meehan A47C 20/08
5/617
- 2017/0318977 A1 * 11/2017 Rawls-Meehan A47C 27/00
- 2018/0132625 A1 * 5/2018 Bellingroth A47C 20/041

* cited by examiner

Primary Examiner — Jennifer L Rempfer

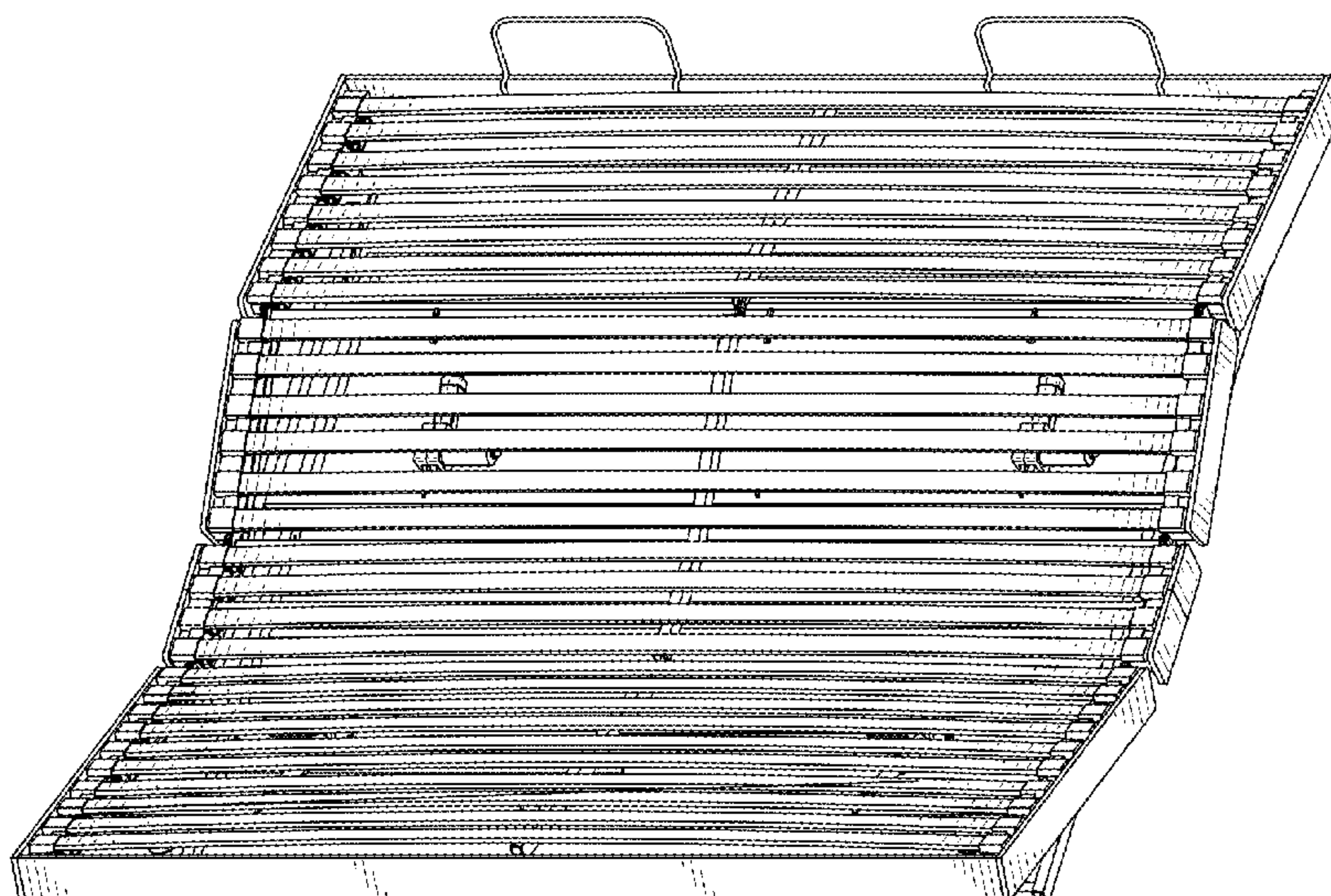
(57) **CLAIM**

The ornamental design for a movable mattress support frame, as shown and described.

DESCRIPTION

FIG. 1 is a perspective view of a movable mattress support frame showing our new design;
 FIG. 2 is a rear perspective view thereof;
 FIG. 3 is a front elevational view thereof;
 FIG. 4 is a rear elevational view thereof;
 FIG. 5 is a left side elevational view thereof;
 FIG. 6 is a right side elevational view thereof;
 FIG. 7 is a top plan view thereof;
 FIG. 8 is a bottom plan view thereof;
 FIG. 9 is another perspective view thereof, showing the movable mattress support frame in an alternate position;
 FIG. 10 is an enlarged detailed view thereof, showing the portion encircled and designated by reference number 10 in FIG. 1;
 FIG. 11 is an enlarged detailed view thereof, showing the portion encircled and designated by the reference number 11 in FIG. 1;
 FIG. 12 is an enlarged detailed view thereof, showing the portion designated by the reference number 12 in FIG. 2; and,
 FIG. 13 is an enlarged detailed view thereof, showing the portion designated by the reference number 13 in FIG. 7.

1 Claim, 13 Drawing Sheets



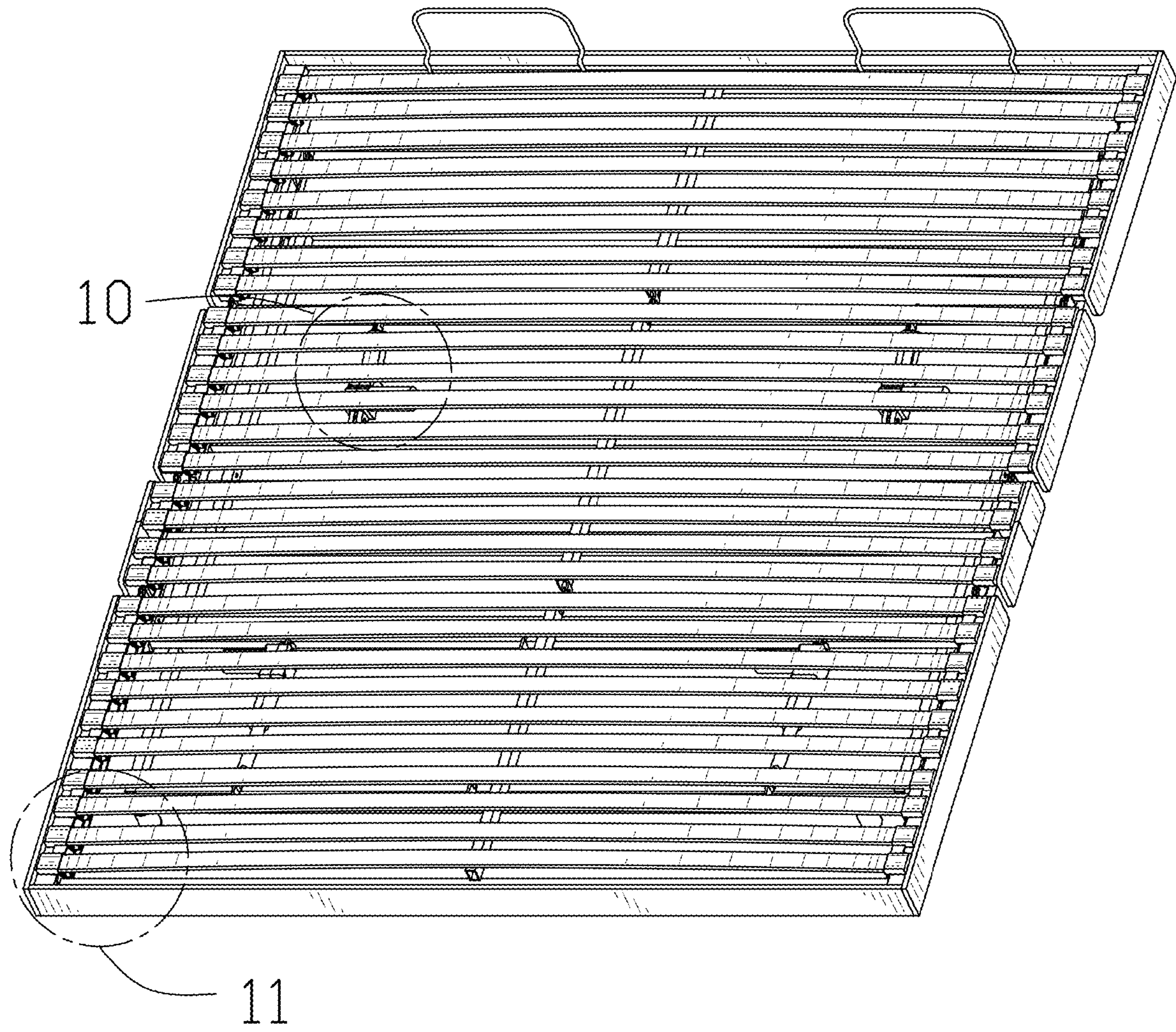


FIG. 1

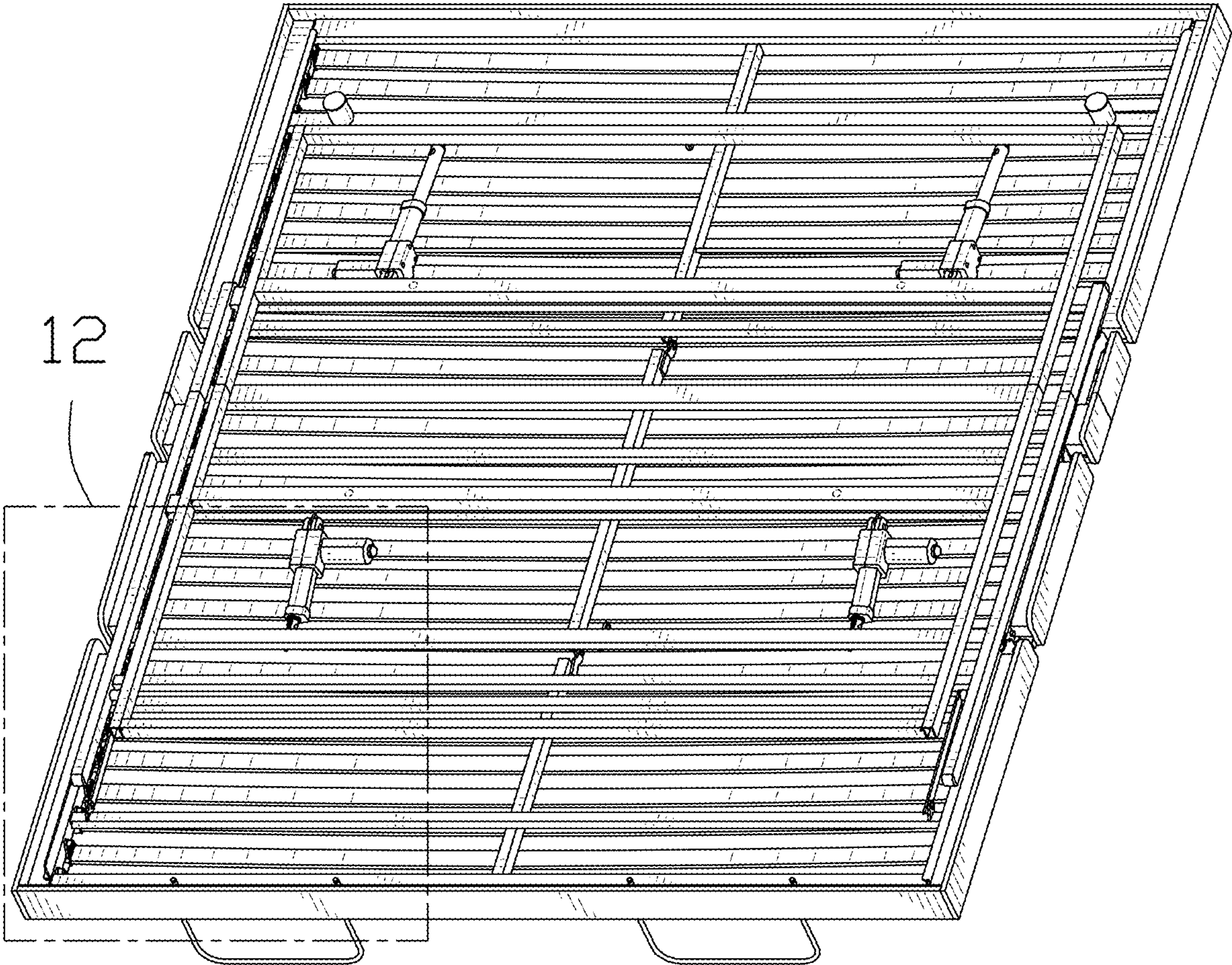


FIG. 2

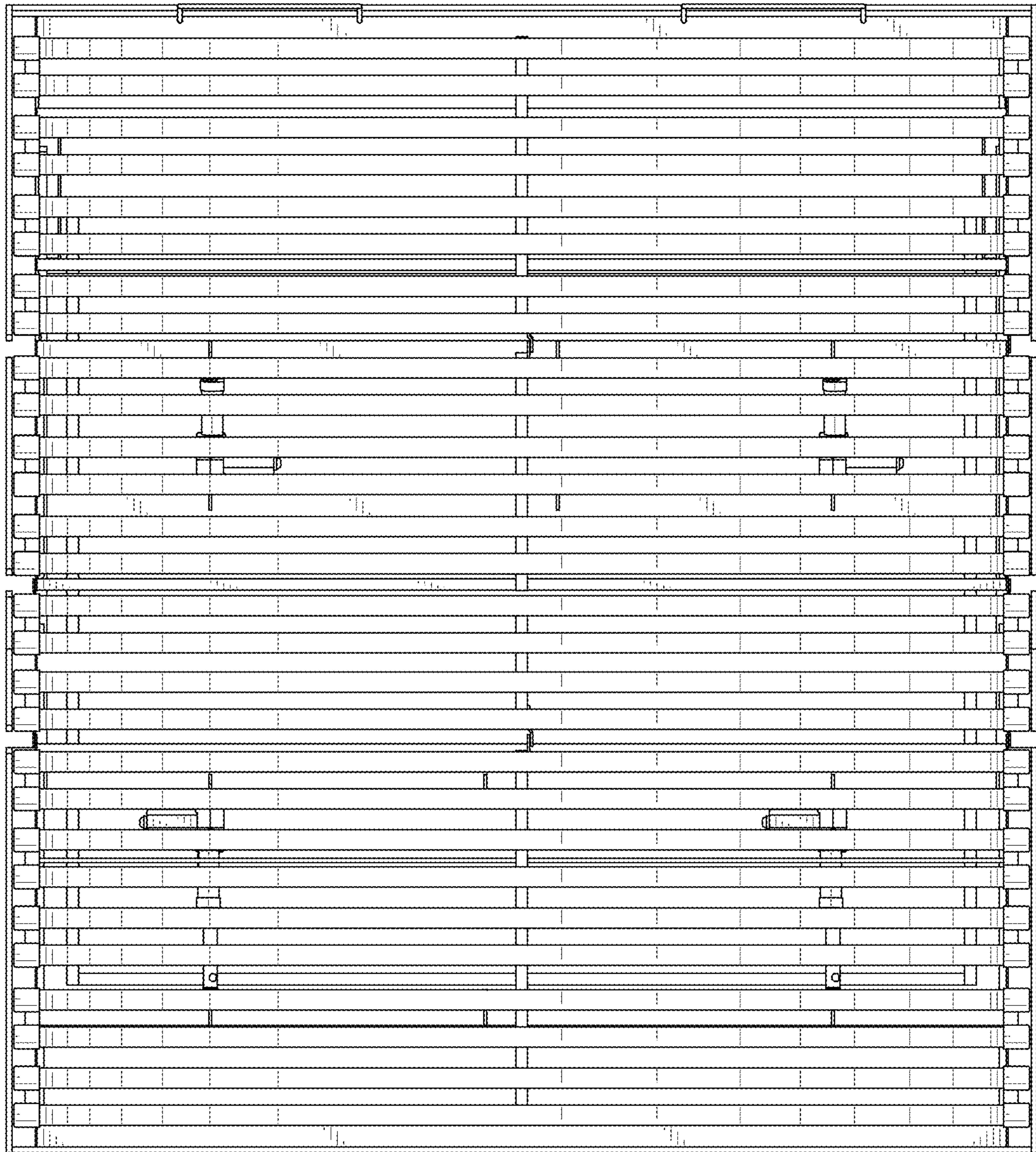


FIG. 3

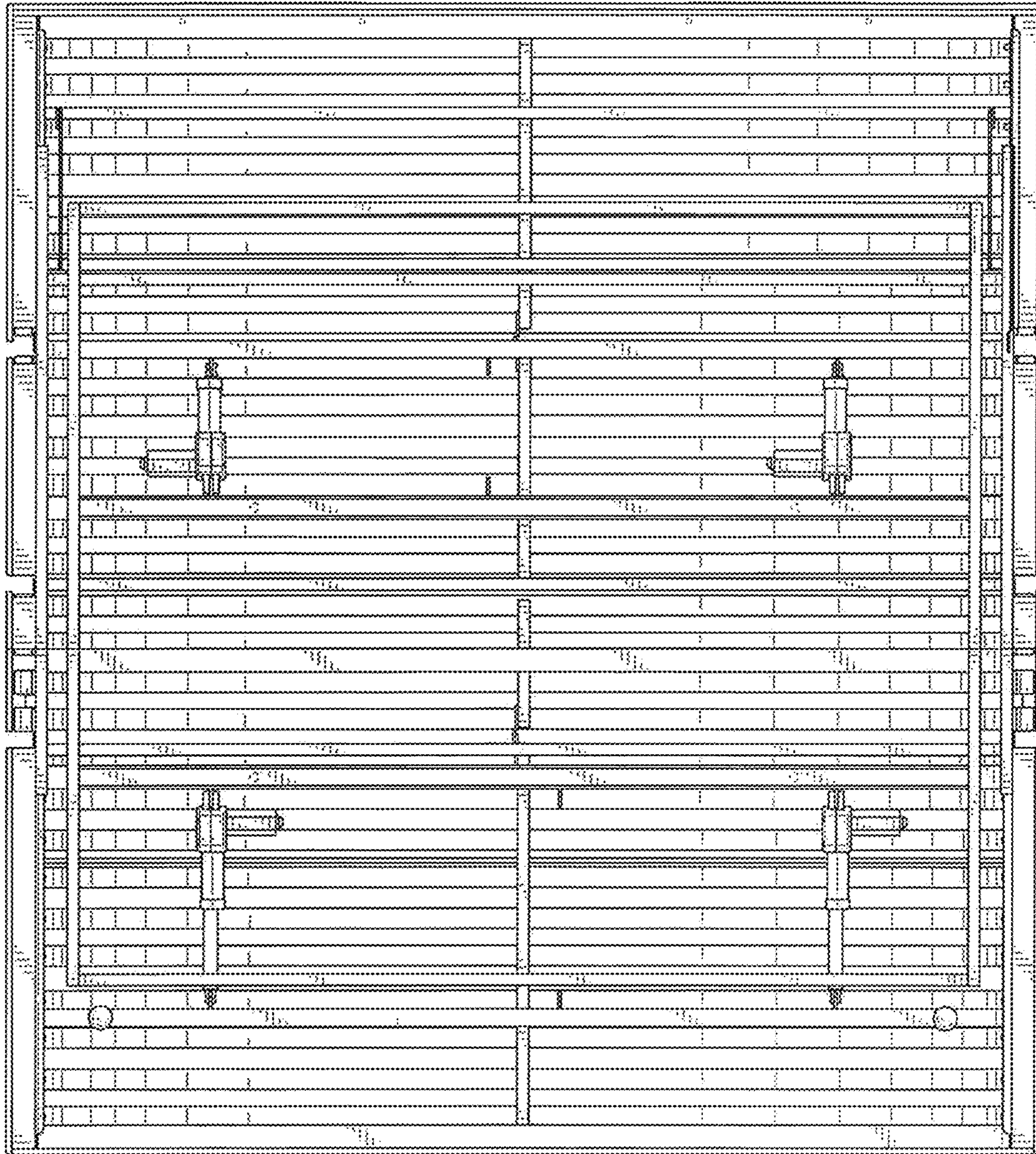


FIG. 4

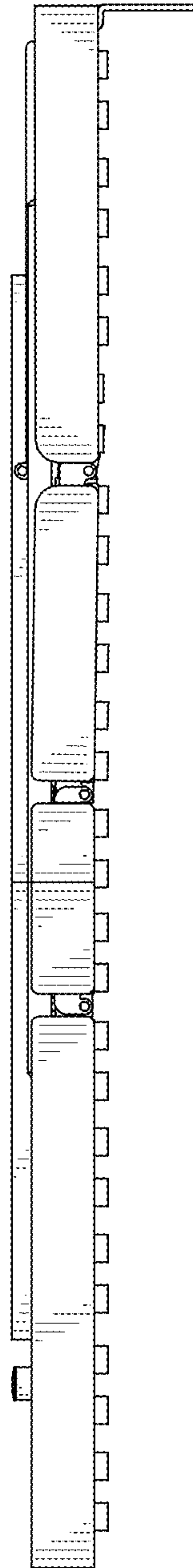


FIG. 5

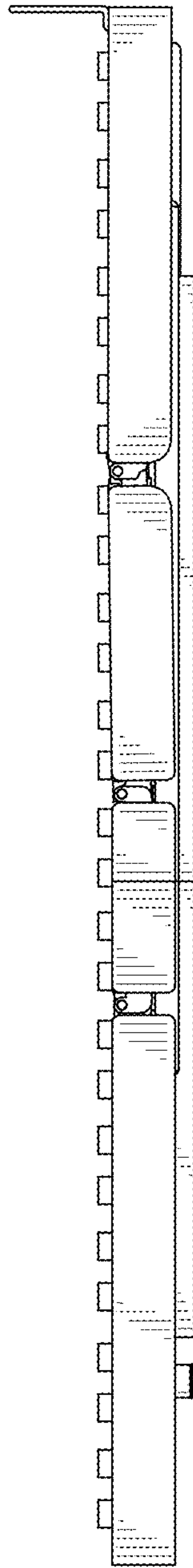


FIG. 6

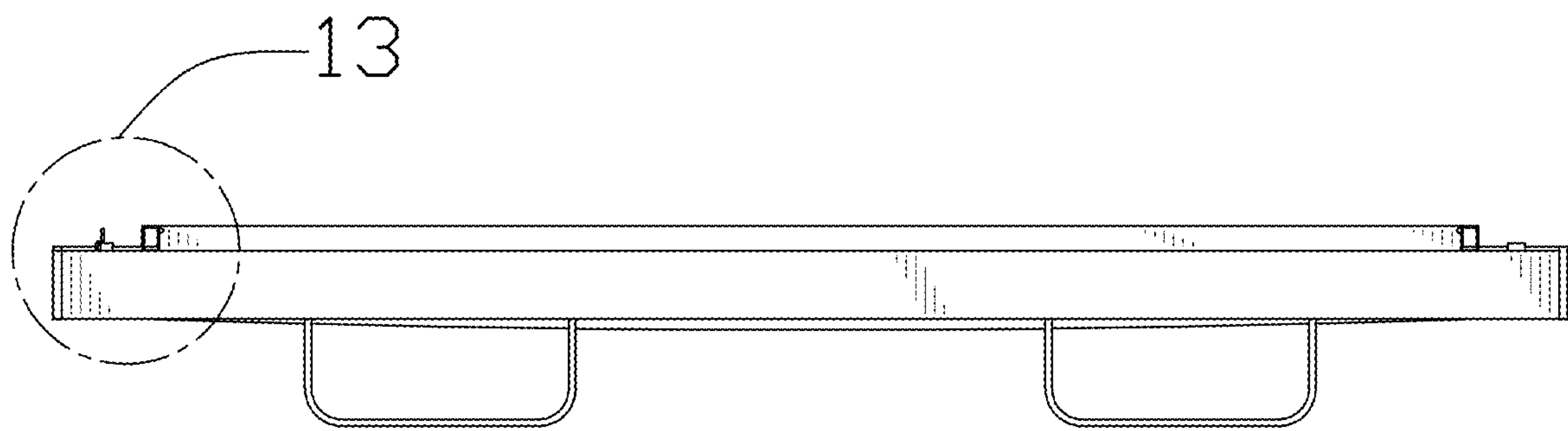


FIG. 7

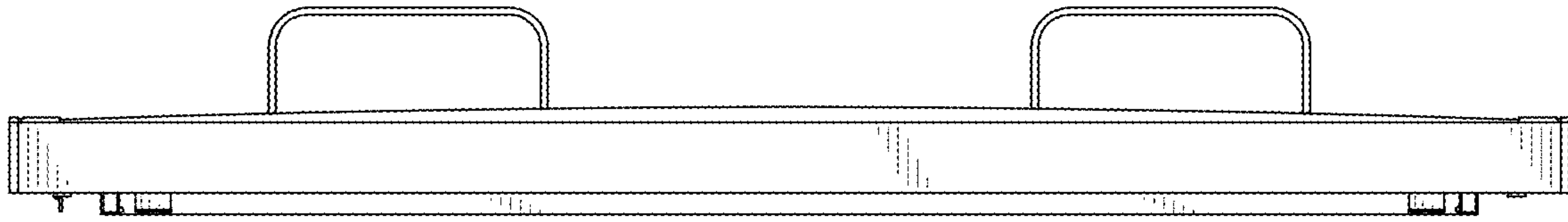


FIG. 8

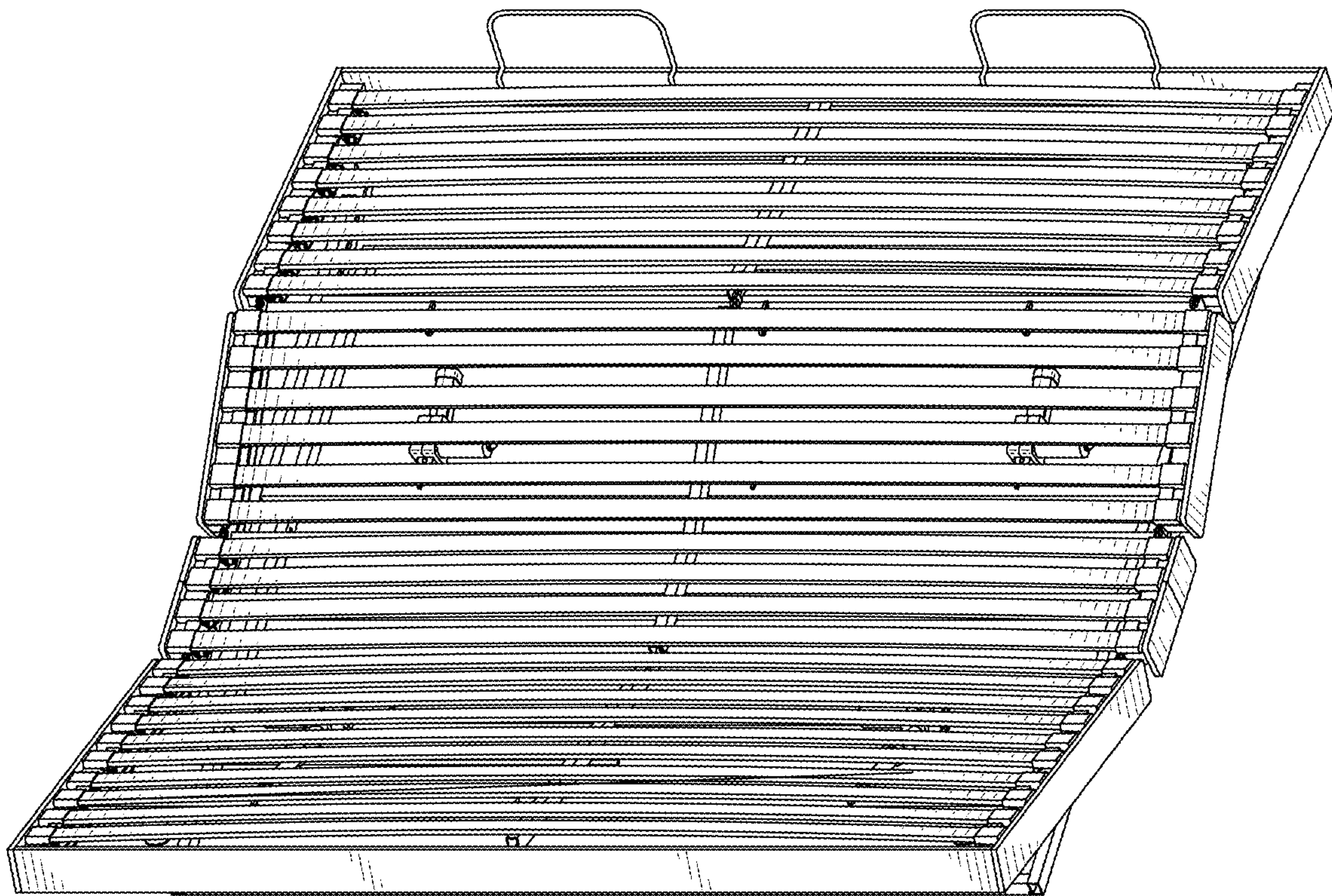


FIG. 9

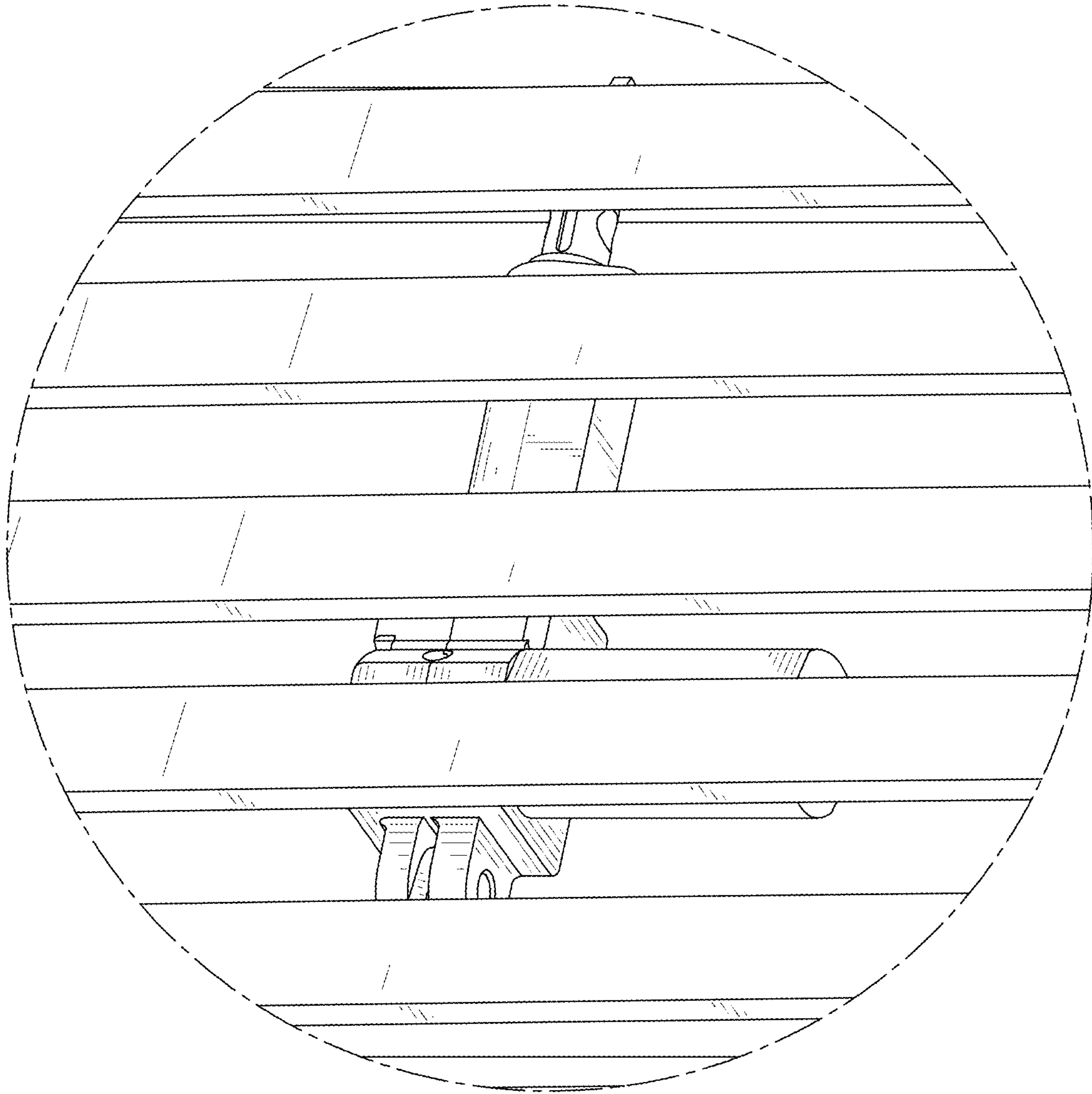


FIG. 10

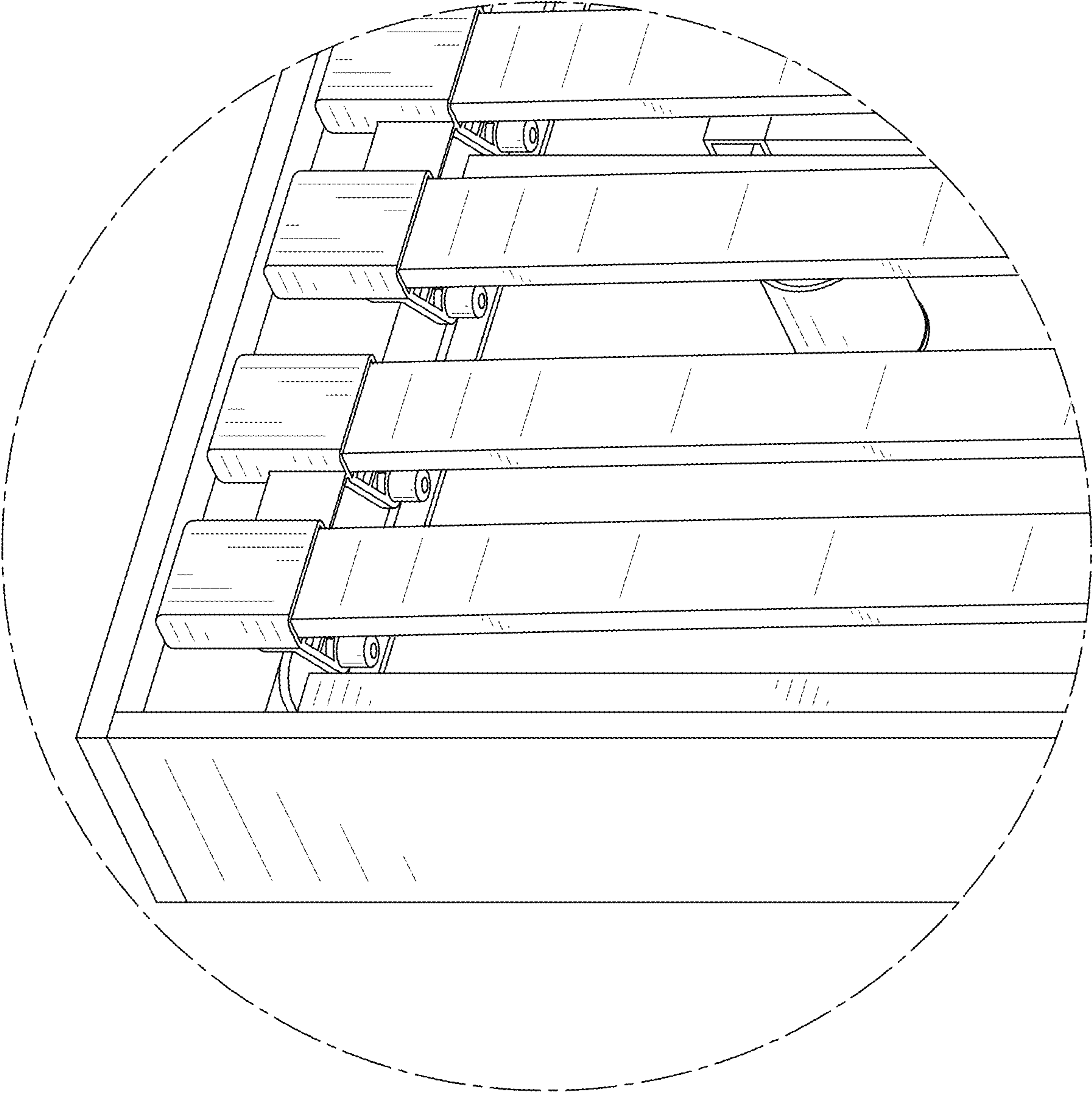


FIG. 11

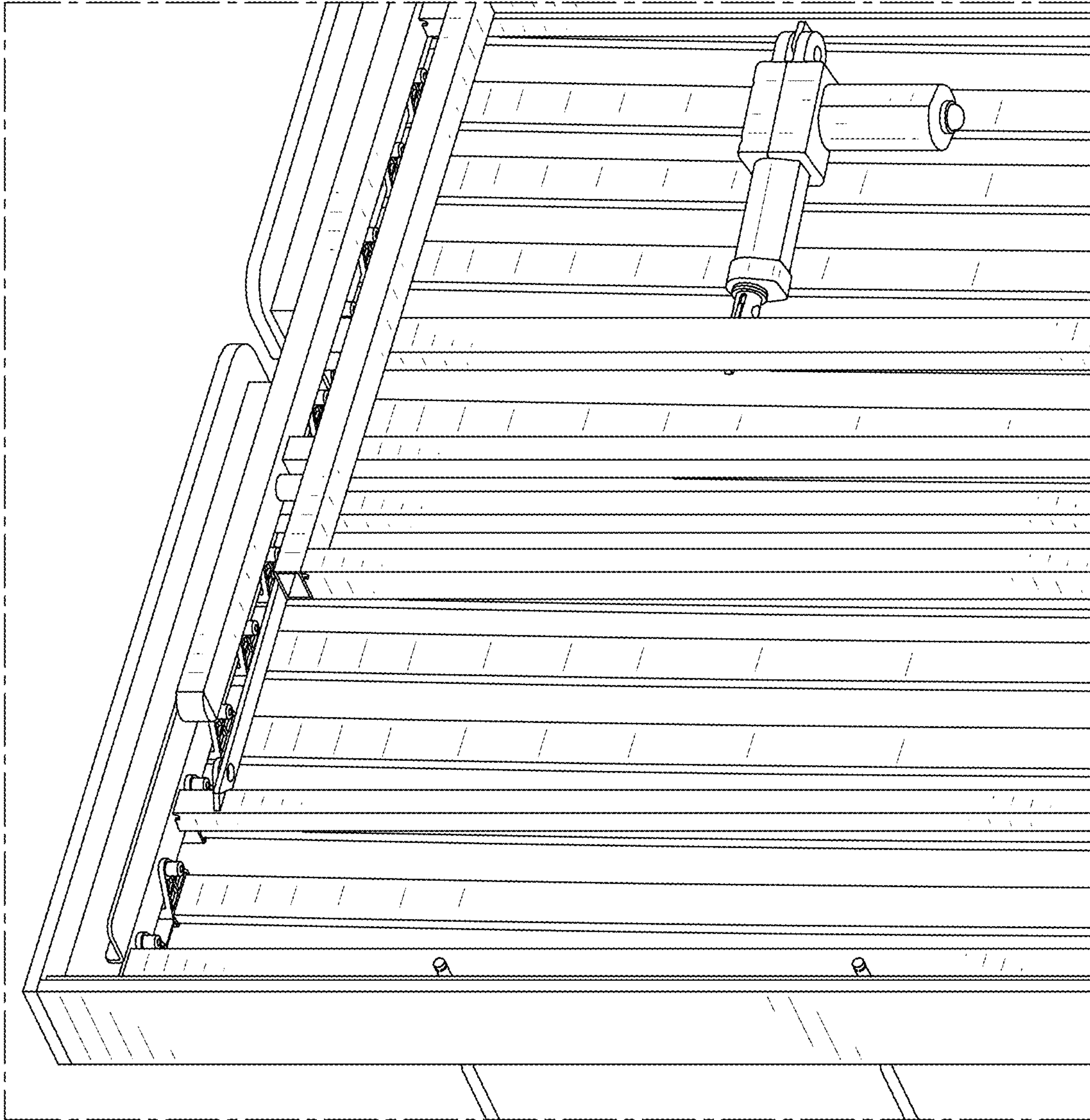


FIG. 12

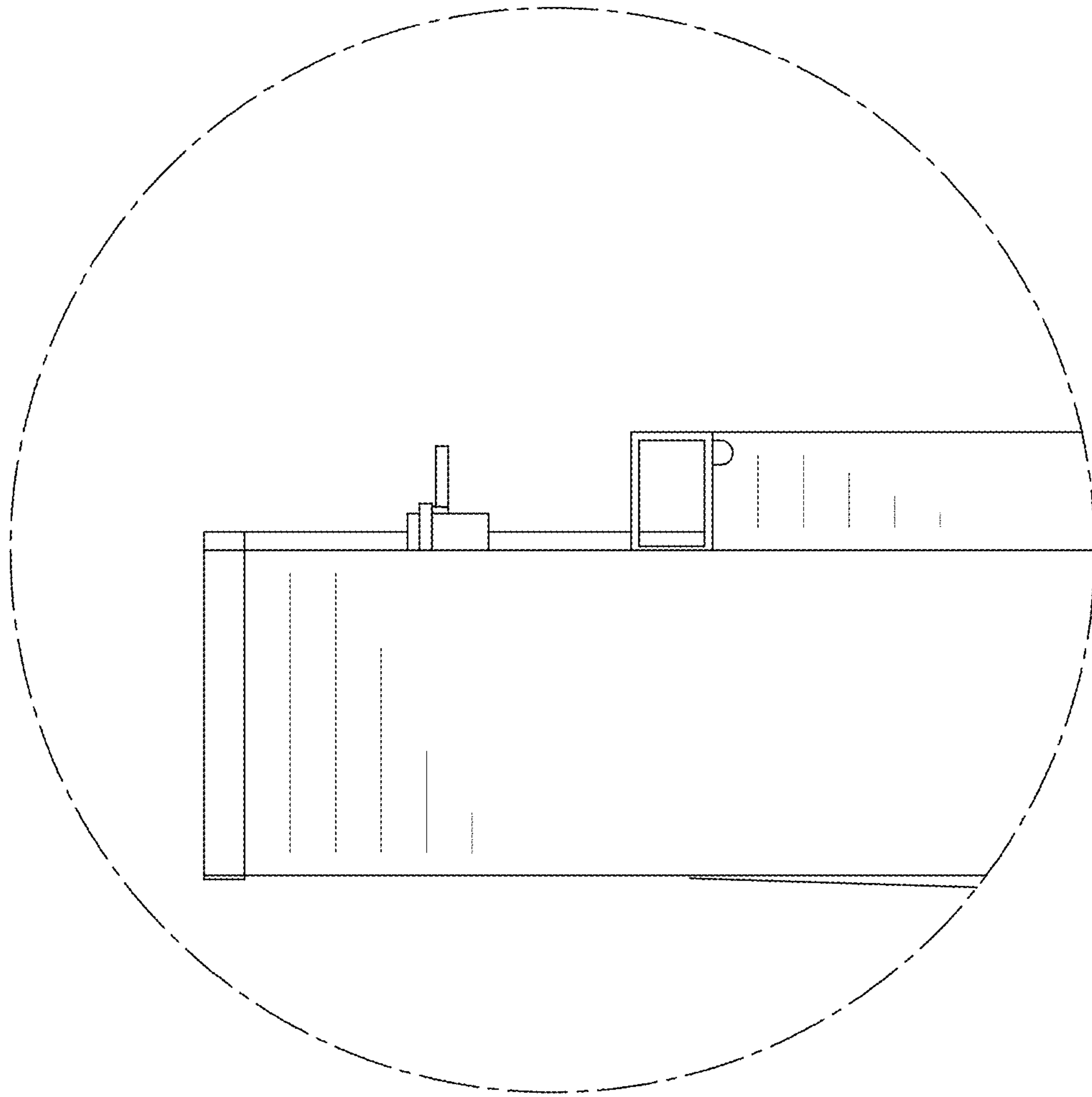


FIG. 13