



US00D926489S

(12) **United States Design Patent**  
**Sabounjian et al.**

(10) **Patent No.:** **US D926,489 S**  
(45) **Date of Patent:** **\*\* Aug. 3, 2021**

(54) **ORGANIZER STAND FOR KITCHEN WRAPS**

**DESCRIPTION**

(71) Applicants: **Sam C. Sabounjian**, Irvine, CA (US);  
**Azad Sabounjian**, Irvine, CA (US)

(72) Inventors: **Sam C. Sabounjian**, Irvine, CA (US);  
**Azad Sabounjian**, Irvine, CA (US)

(73) Assignee: **Pro-Mart Industries, Inc**, Irvine, CA (US)

(\*\*) Term: **15 Years**

(21) Appl. No.: **29/699,348**

(22) Filed: **Jul. 24, 2019**

(51) **LOC (13) Cl.** ..... **06-04**

(52) **U.S. Cl.**  
USPC ..... **D6/512; D7/704**

(58) **Field of Classification Search**  
USPC ..... D7/601, 704, 600.1–600.4; D3/304, 306;  
D6/537, 675.2, 675.5, 676.5, 677.5,  
D6/678.5, 680.3, 512, 513  
(Continued)

(56) **References Cited**

**U.S. PATENT DOCUMENTS**

D278,196 S \* 4/1985 Koves ..... D6/675.2  
5,823,100 A \* 10/1998 Wienhold ..... F24C 15/16  
99/449

(Continued)

*Primary Examiner* — Terry A Wallace

(74) *Attorney, Agent, or Firm* — Stetina Brunda Garred & Brucker

(57) **CLAIM**

The ornamental design for an organizer stand for kitchen wraps, as shown and described.

FIG. 1 is a perspective view of an organizer stand for kitchen wraps according to an embodiment including all flat wire shelves;

FIG. 2 is a front view of the organizer stand for kitchen wraps of FIG. 1, the opposing back view being a mirror image thereof;

FIG. 3 is a side view of the organizer stand for kitchen wraps of FIG. 1, the opposing side view being a mirror image thereof;

FIG. 4 is a top view of the organizer stand for kitchen wraps of FIG. 1;

FIG. 5 is a bottom view of the organizer stand for kitchen wraps of FIG. 1;

FIG. 6 is a perspective view of an organizer stand for kitchen wraps according to an embodiment including round wire shelves and a flat wire shelf;

FIG. 7 is a front view of the organizer stand for kitchen wraps of FIG. 6, the opposing back view being a mirror image thereof;

FIG. 8 is a side view of the organizer stand for kitchen wraps of FIG. 6, the opposing side view being a mirror image thereof;

FIG. 9 is a top view of the organizer stand for kitchen wraps of FIG. 6;

FIG. 10 is a bottom view of the organizer stand for kitchen wraps of FIG. 6;

FIG. 11 is a perspective view of an organizer stand for kitchen wraps according to an embodiment including all round wire shelves;

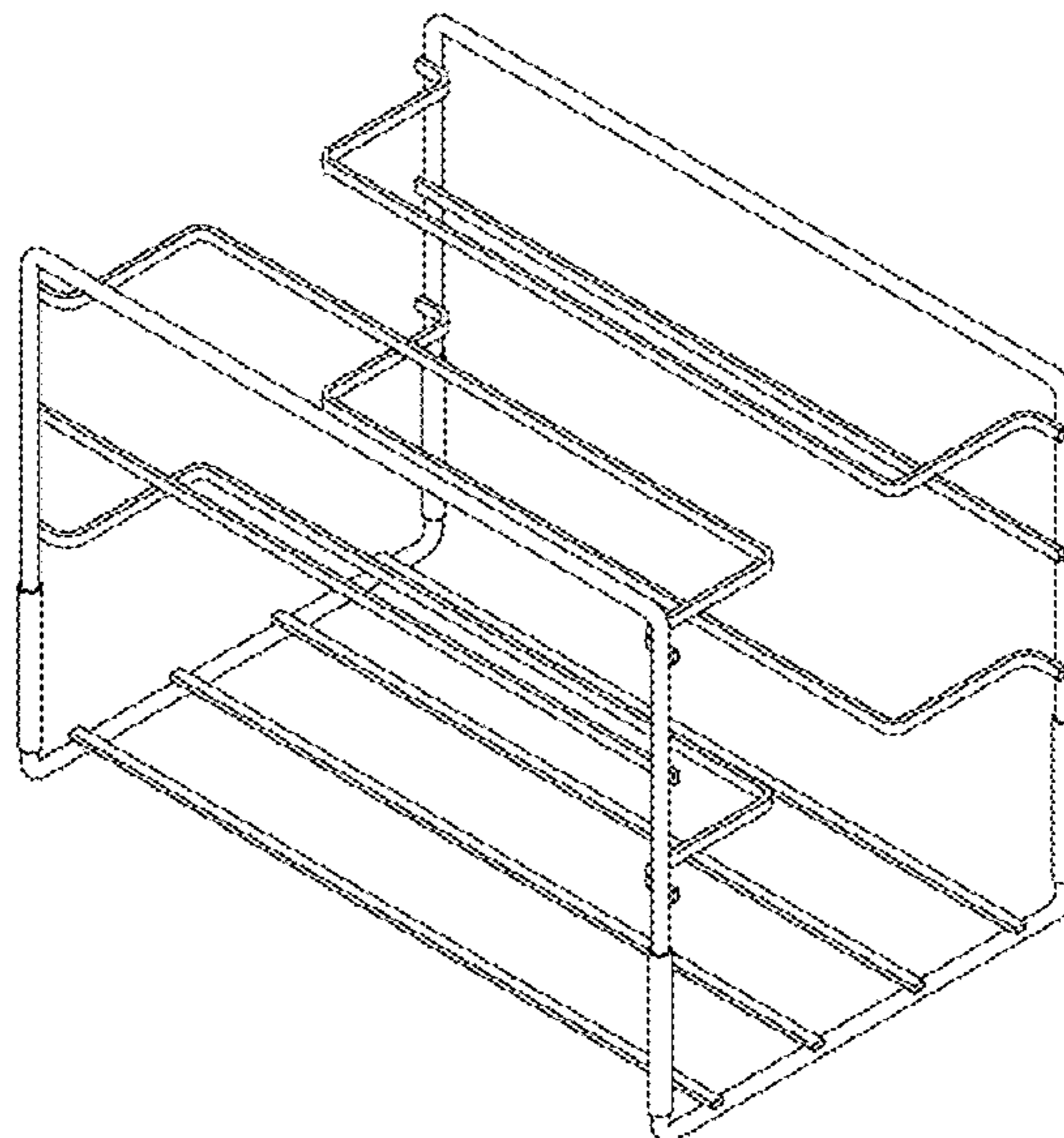
FIG. 12 is a front view of the organizer stand for kitchen wraps of FIG. 11, the opposing back view being a mirror image thereof;

FIG. 13 is a side view of the organizer stand for kitchen wraps of FIG. 11, the opposing side view being a mirror image thereof;

FIG. 14 is a top view of the organizer stand for kitchen wraps of FIG. 11; and,

FIG. 15 is a bottom view of the organizer stand for kitchen wraps of FIG. 11.

**1 Claim, 15 Drawing Sheets**



(58) **Field of Classification Search**

CPC ..... A47F 7/00; A47F 7/0071; A47F 7/0078;  
A47F 5/00; A47F 5/01; A47F 5/14; A47F  
5/05; A47F 5/13; A47J 47/00; A47J  
47/16; B65D 7/20; B65D 7/14; A47B  
55/02; A47B 55/00

See application file for complete search history.

(56) **References Cited**

U.S. PATENT DOCUMENTS

D446,409 S \* 8/2001 Walters-Dowding ..... D6/675.2  
D737,105 S \* 8/2015 Tsai ..... D7/601

\* cited by examiner

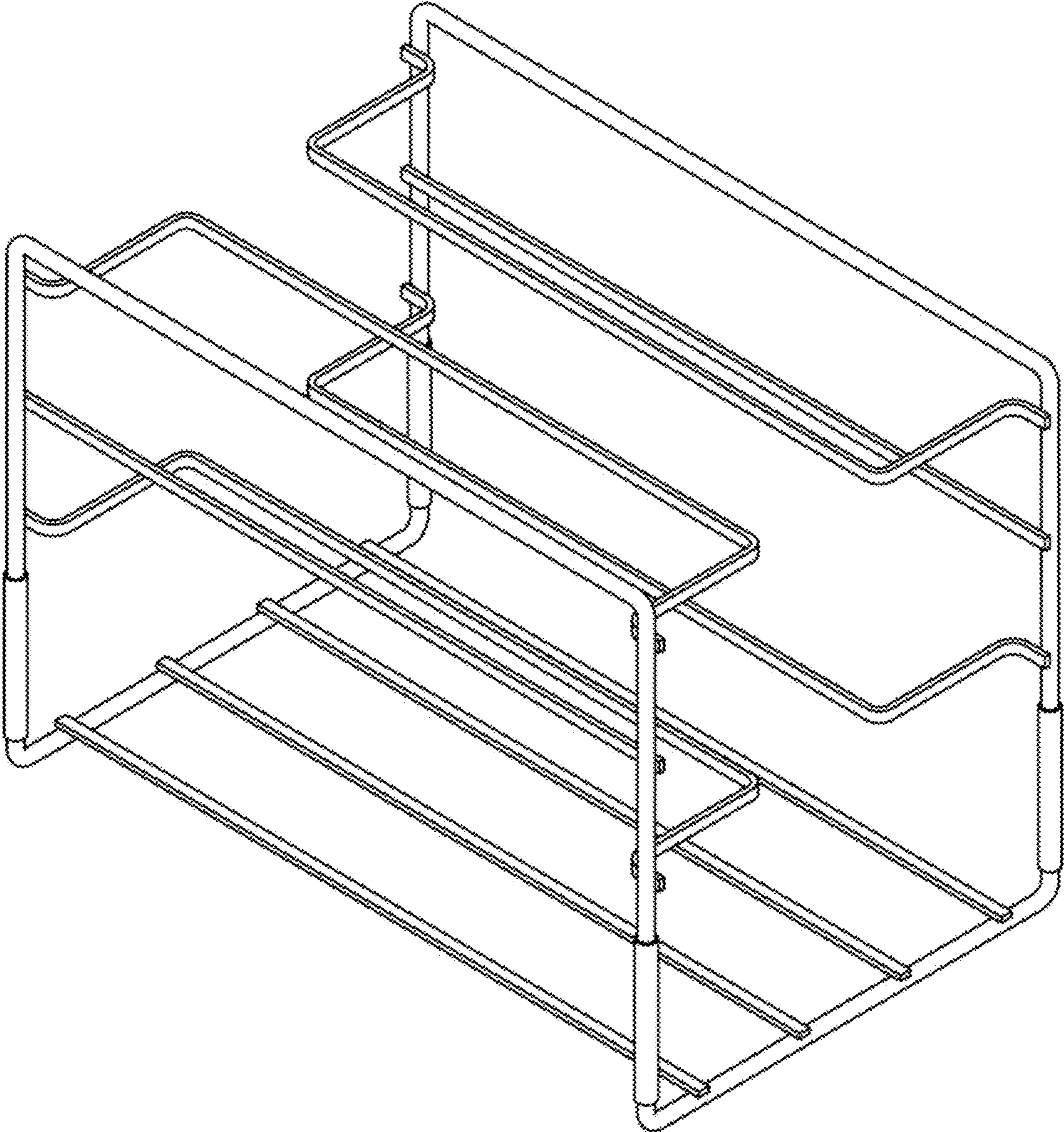


FIGURE 1

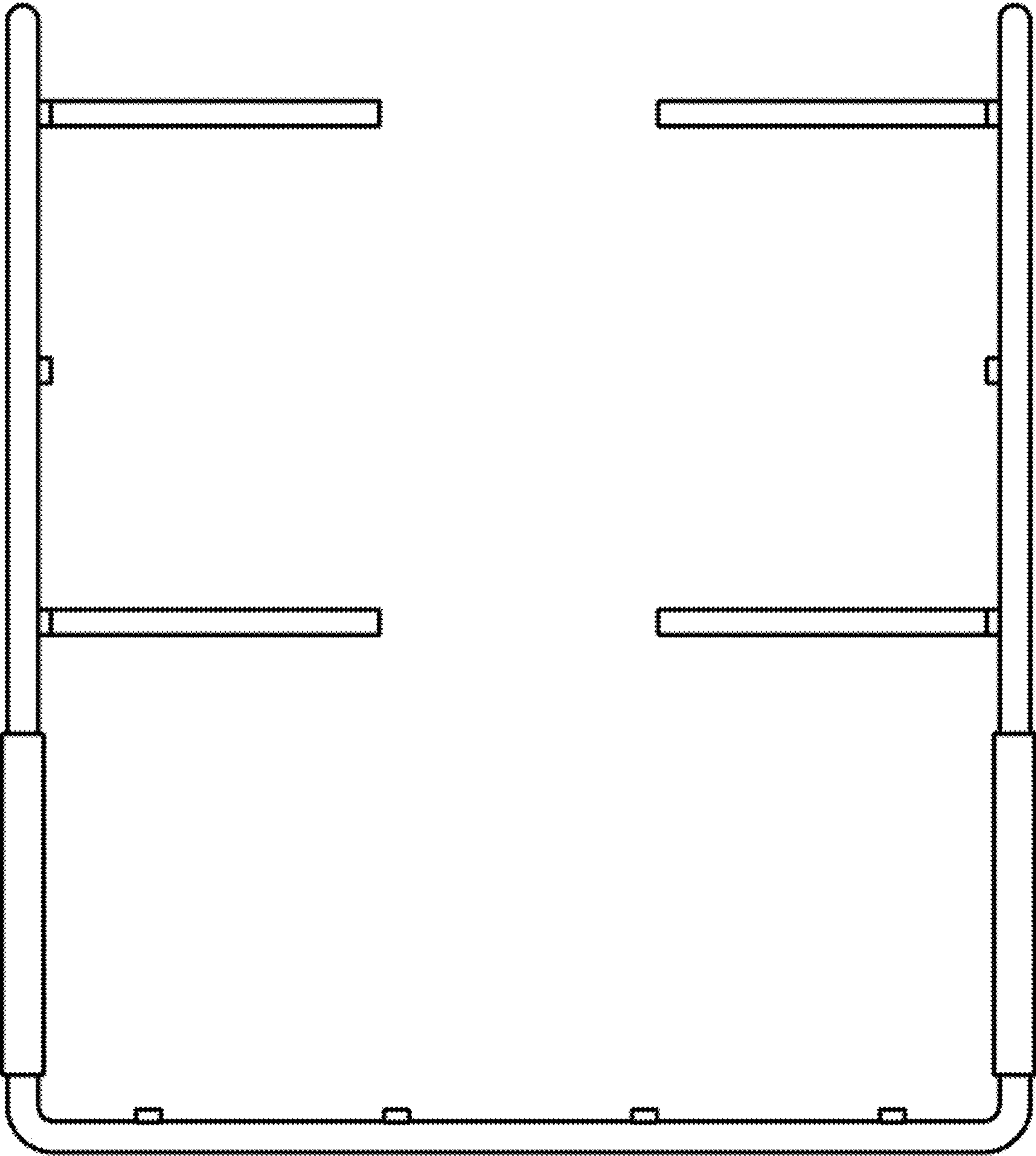


FIGURE 2

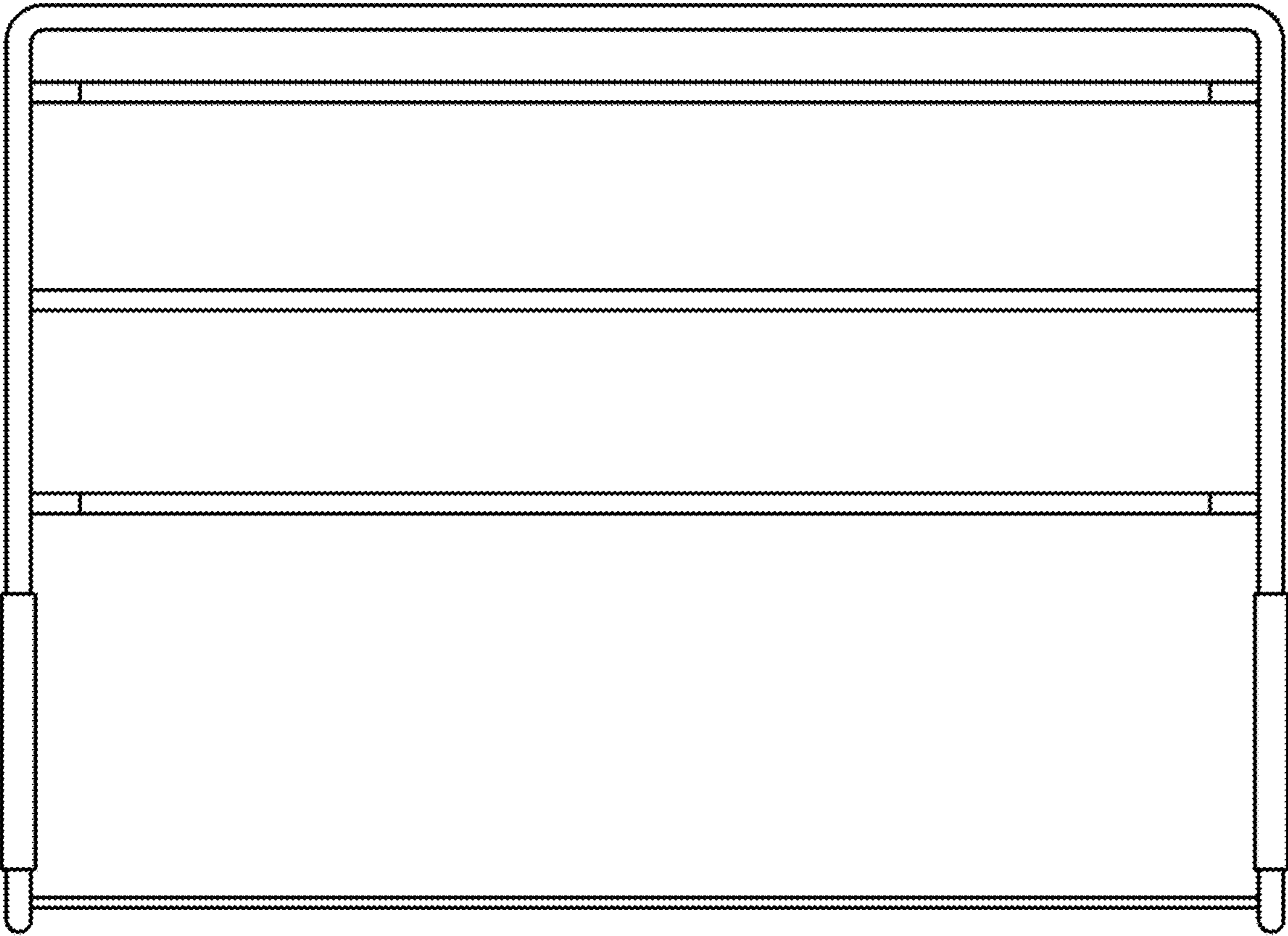


FIGURE 3

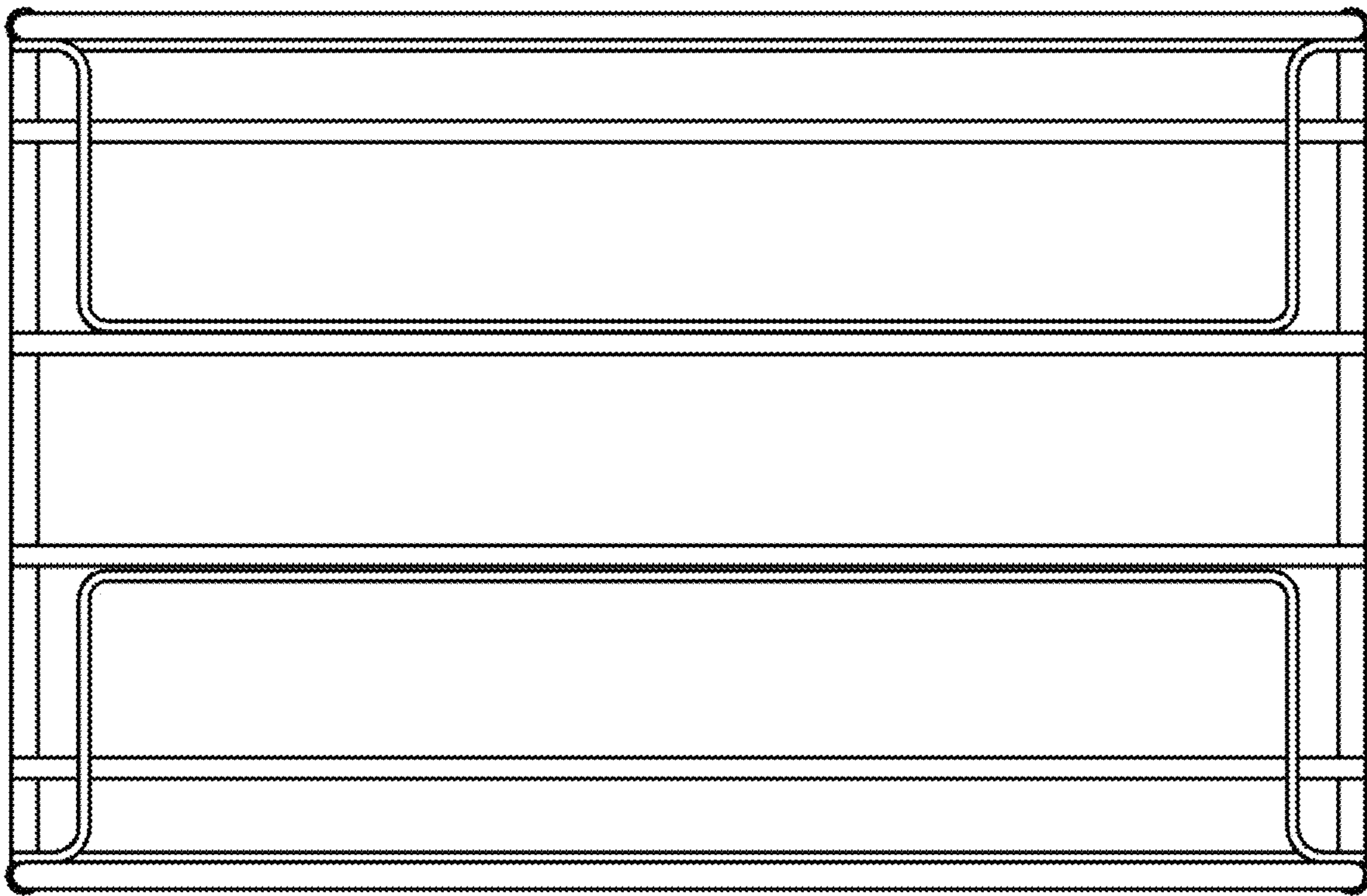


FIGURE 4

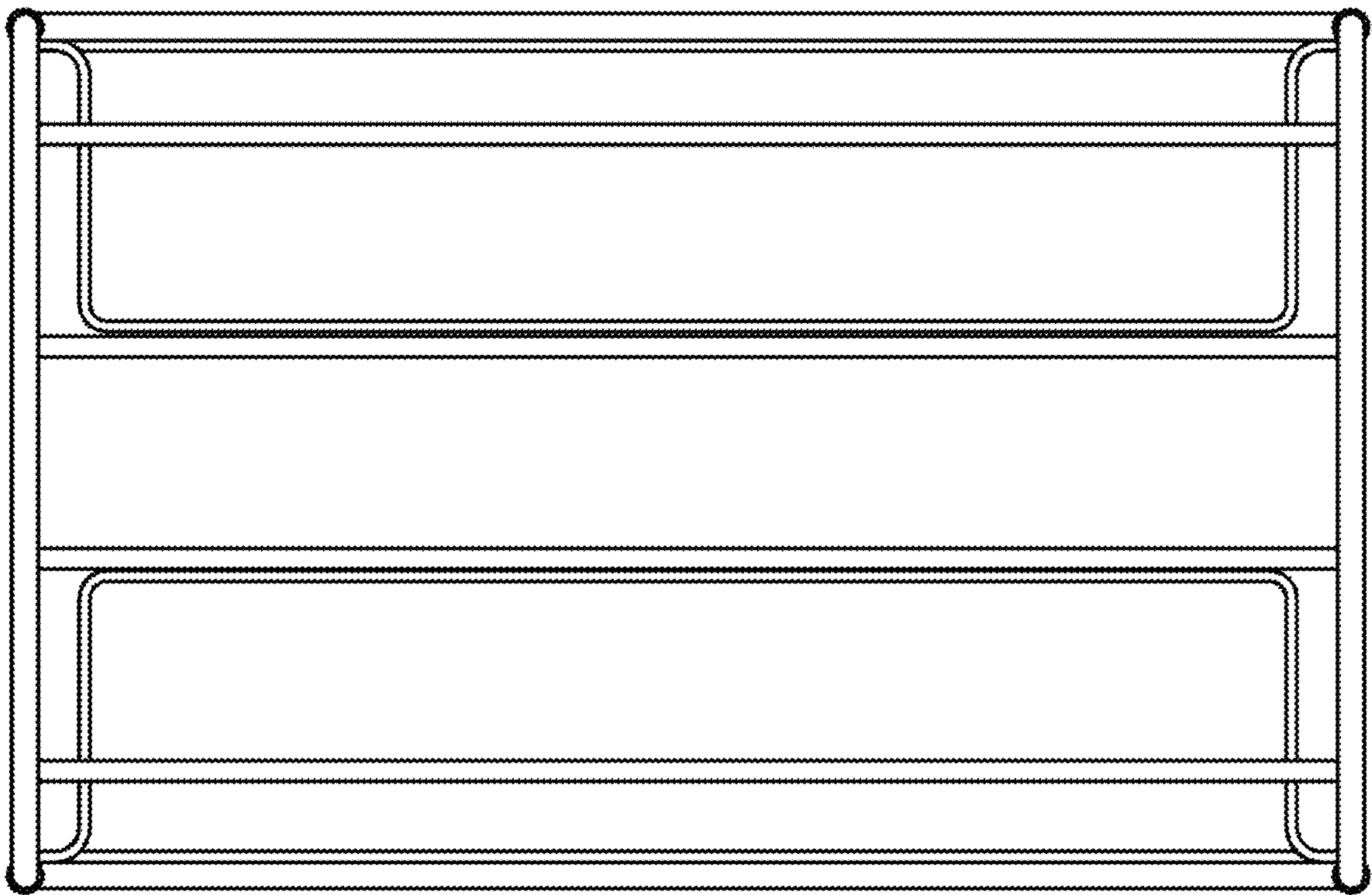


FIGURE 5

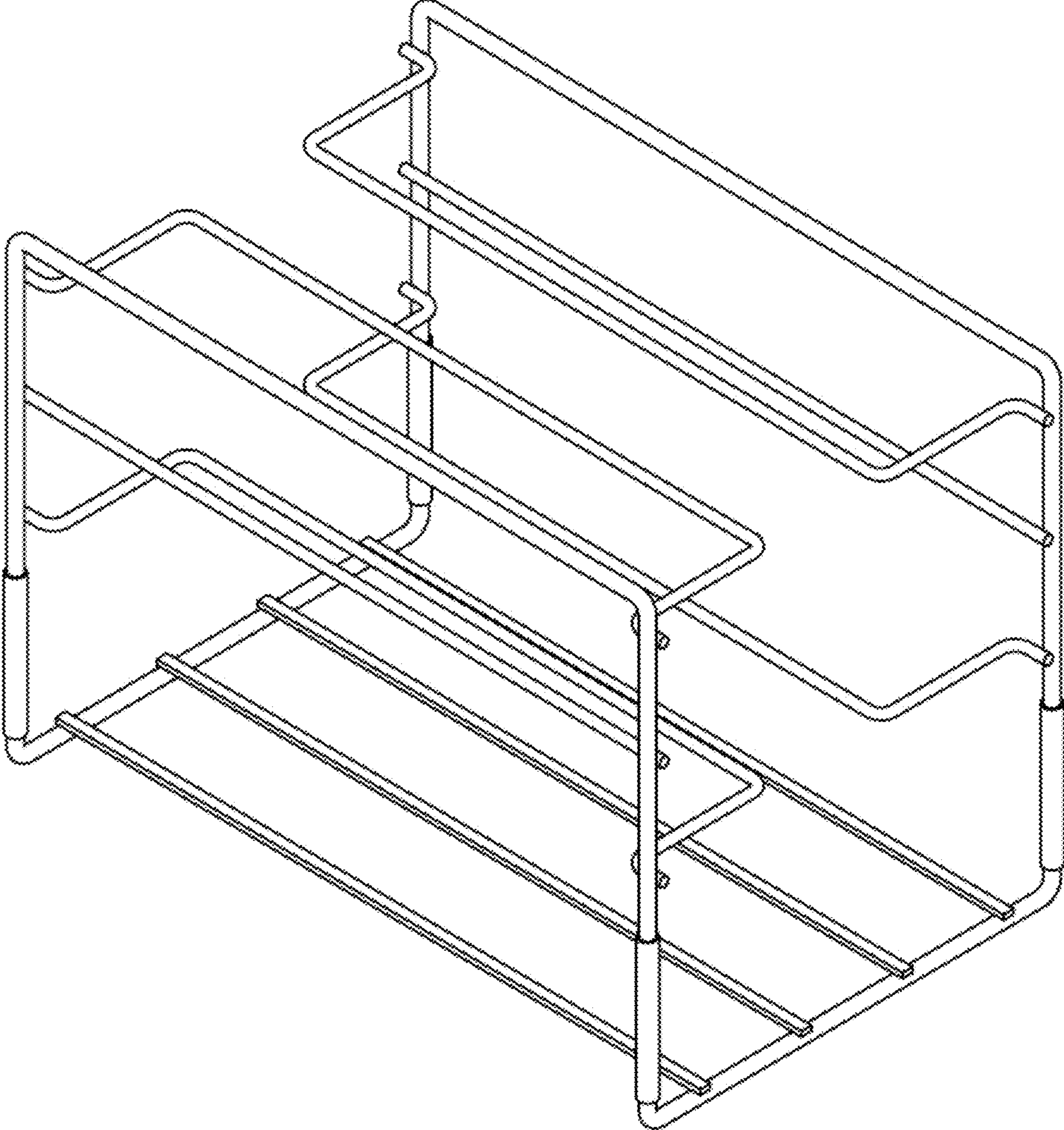


FIGURE 6



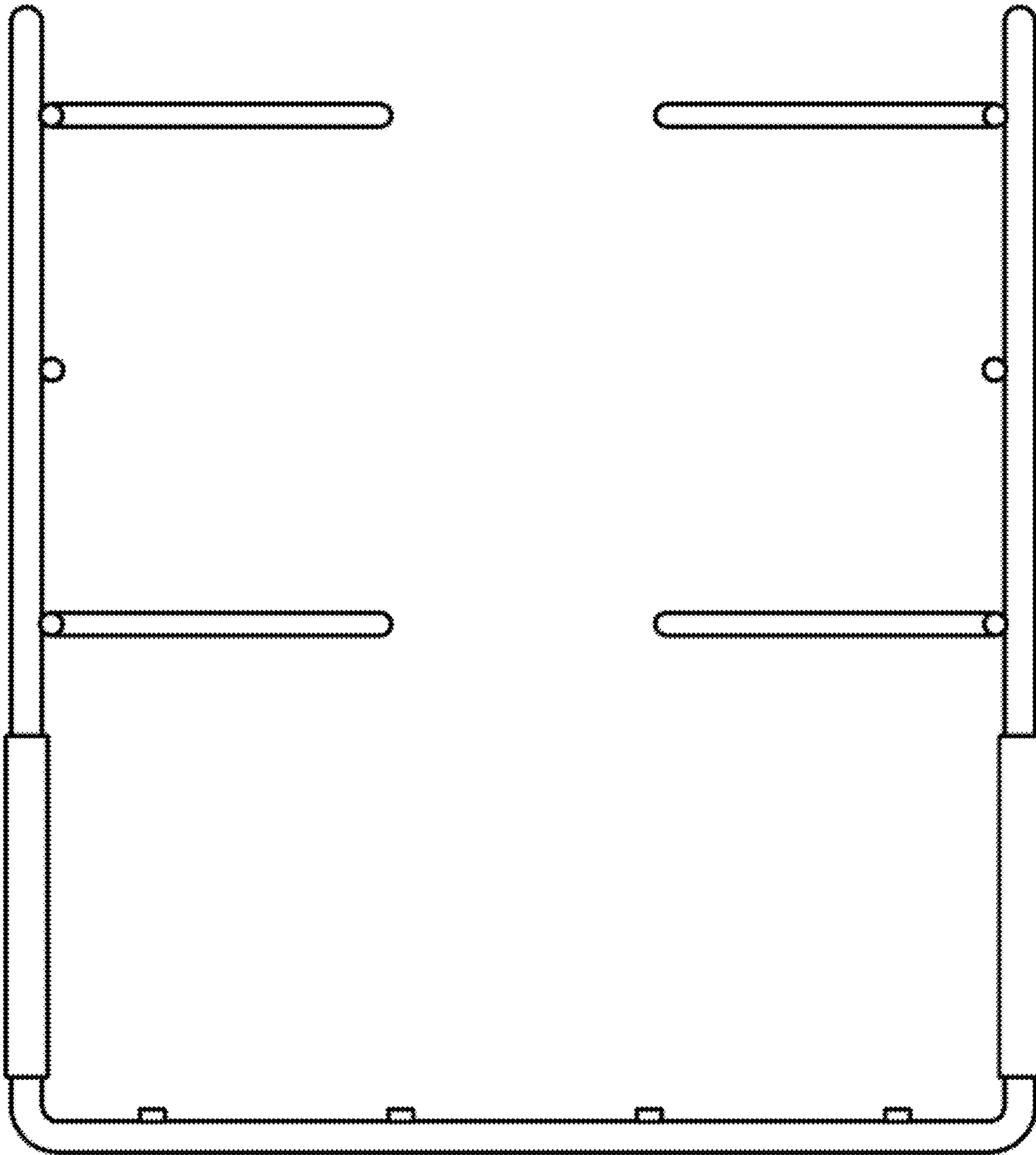


FIGURE 7

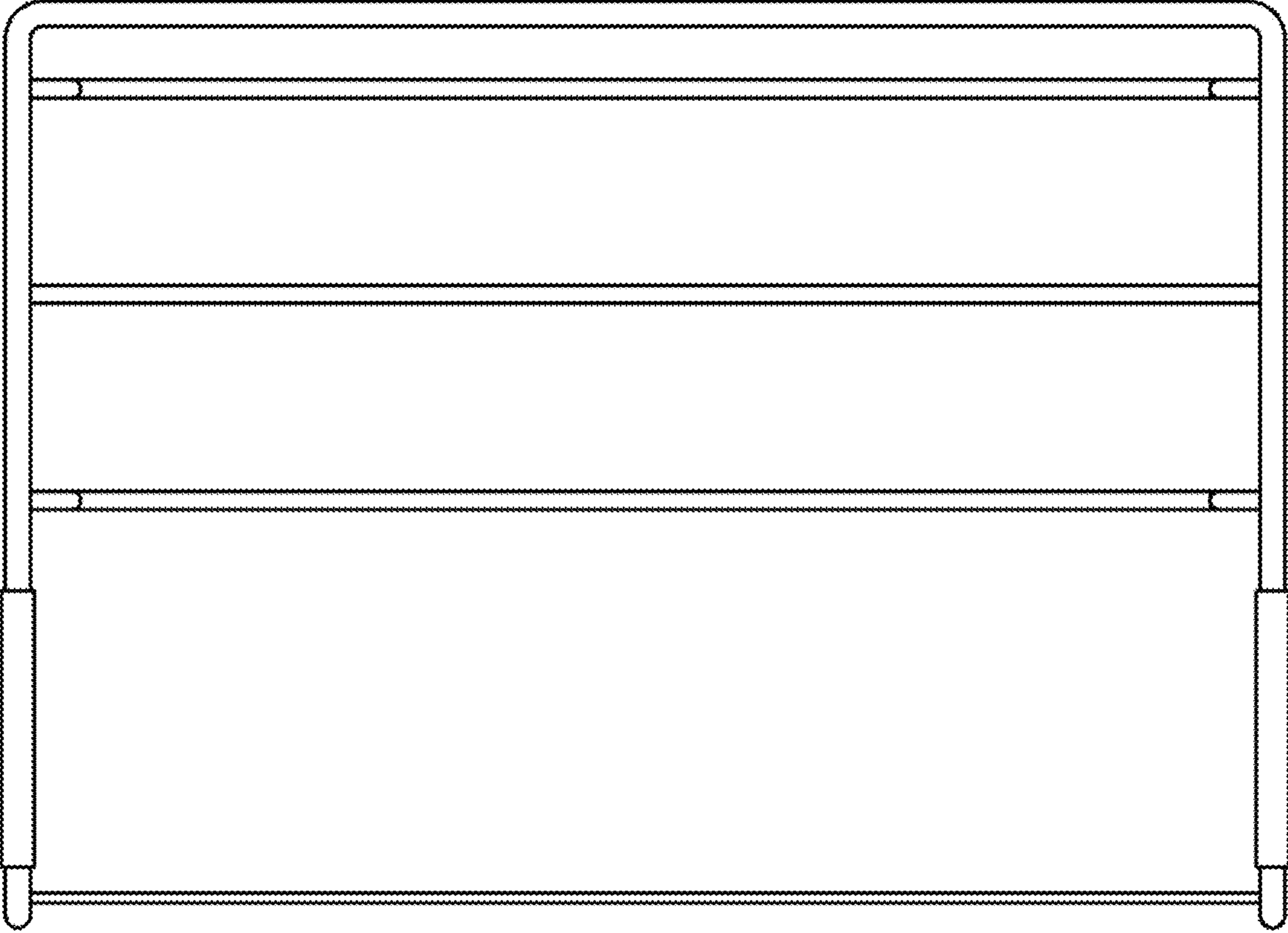


FIGURE 8

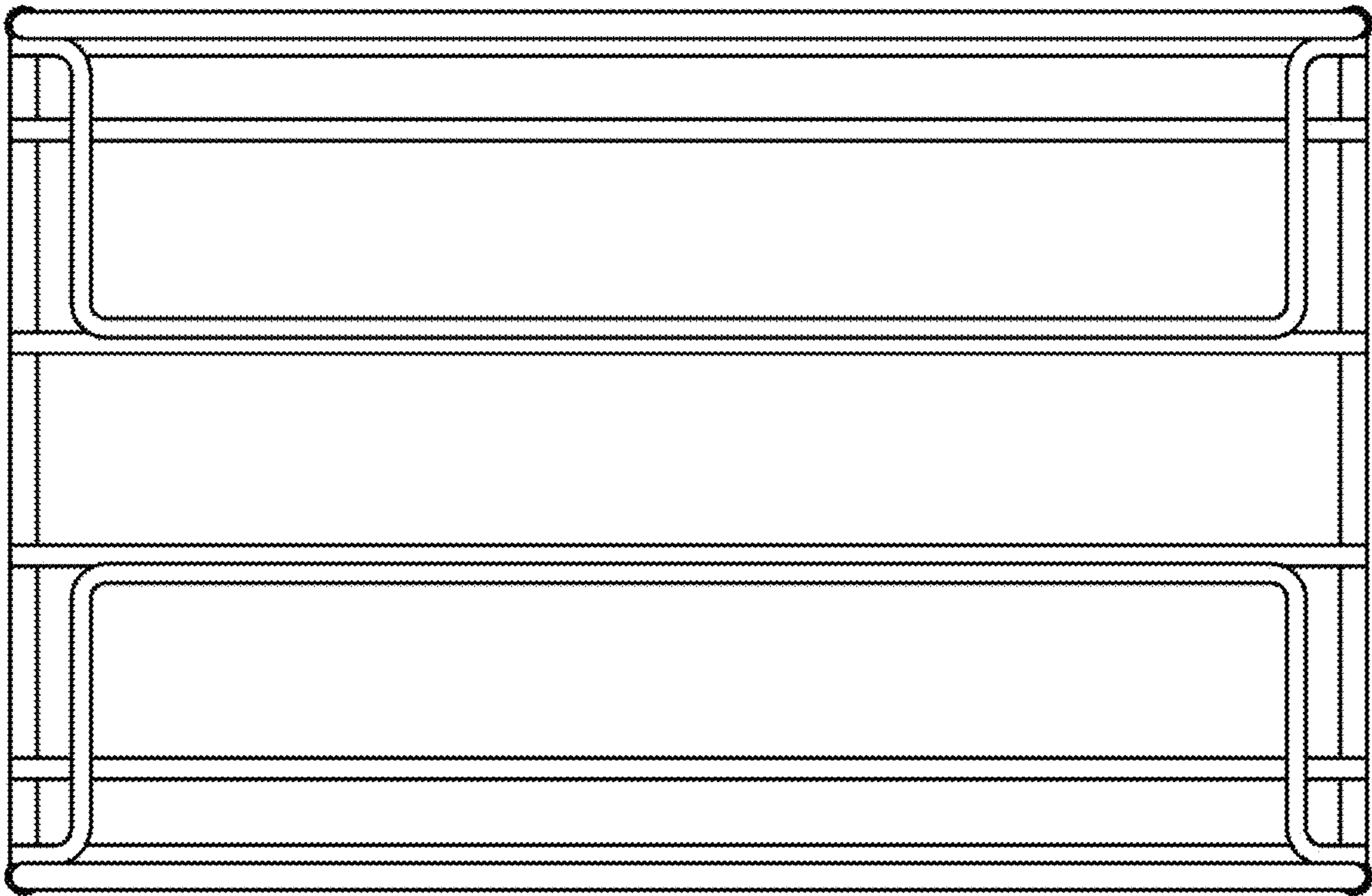


FIGURE 9

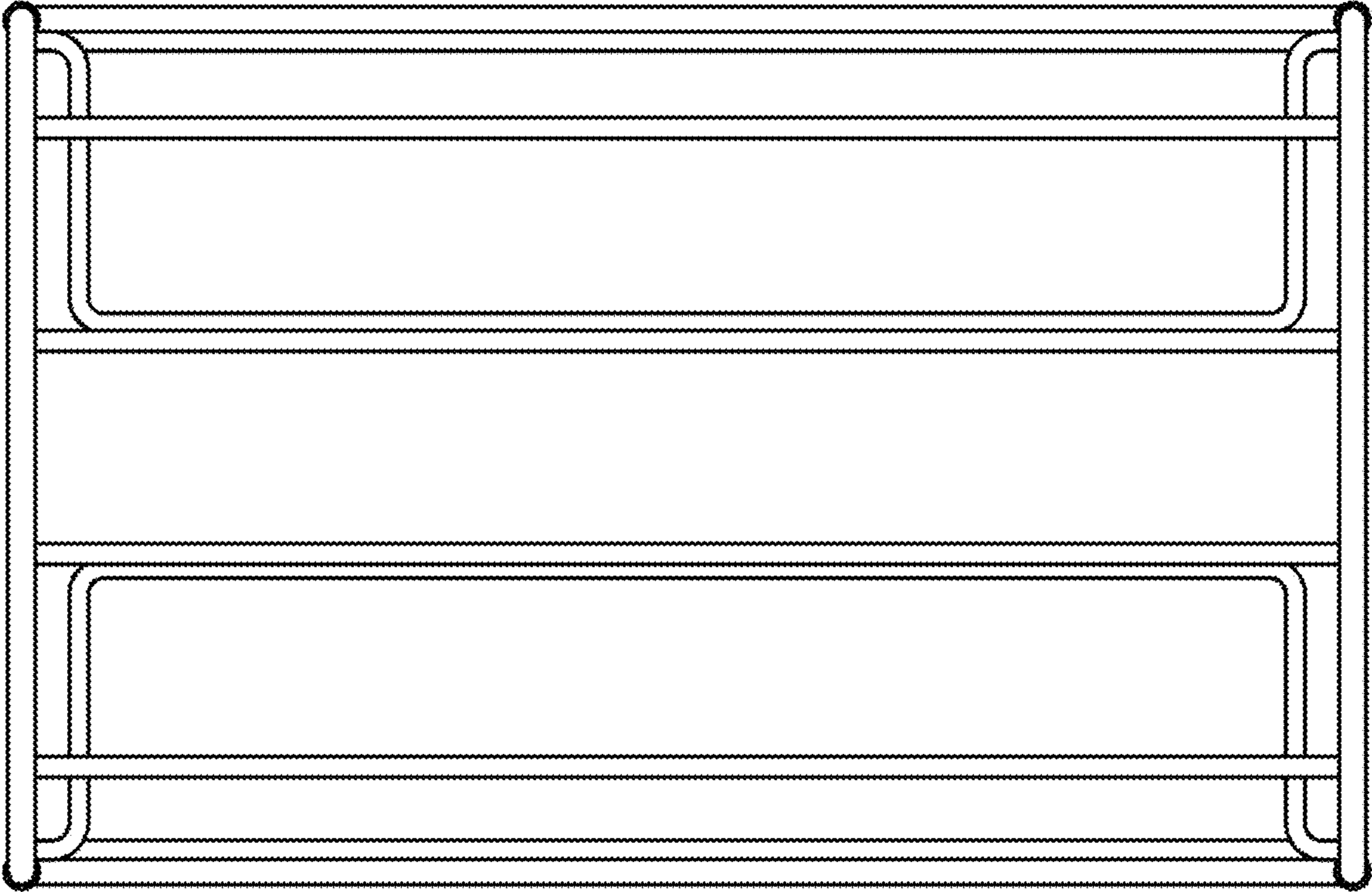


FIGURE 10

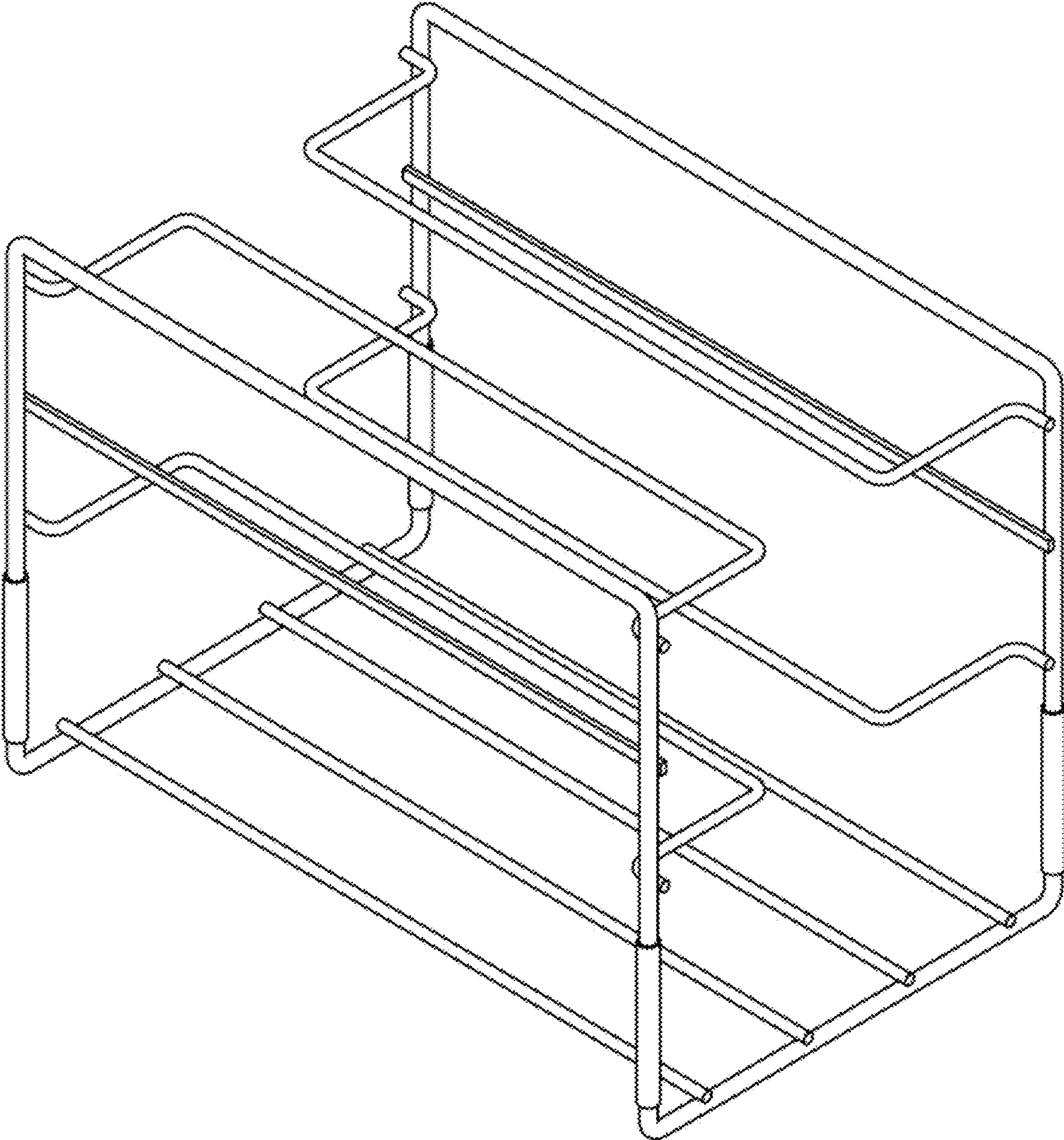


FIGURE 11

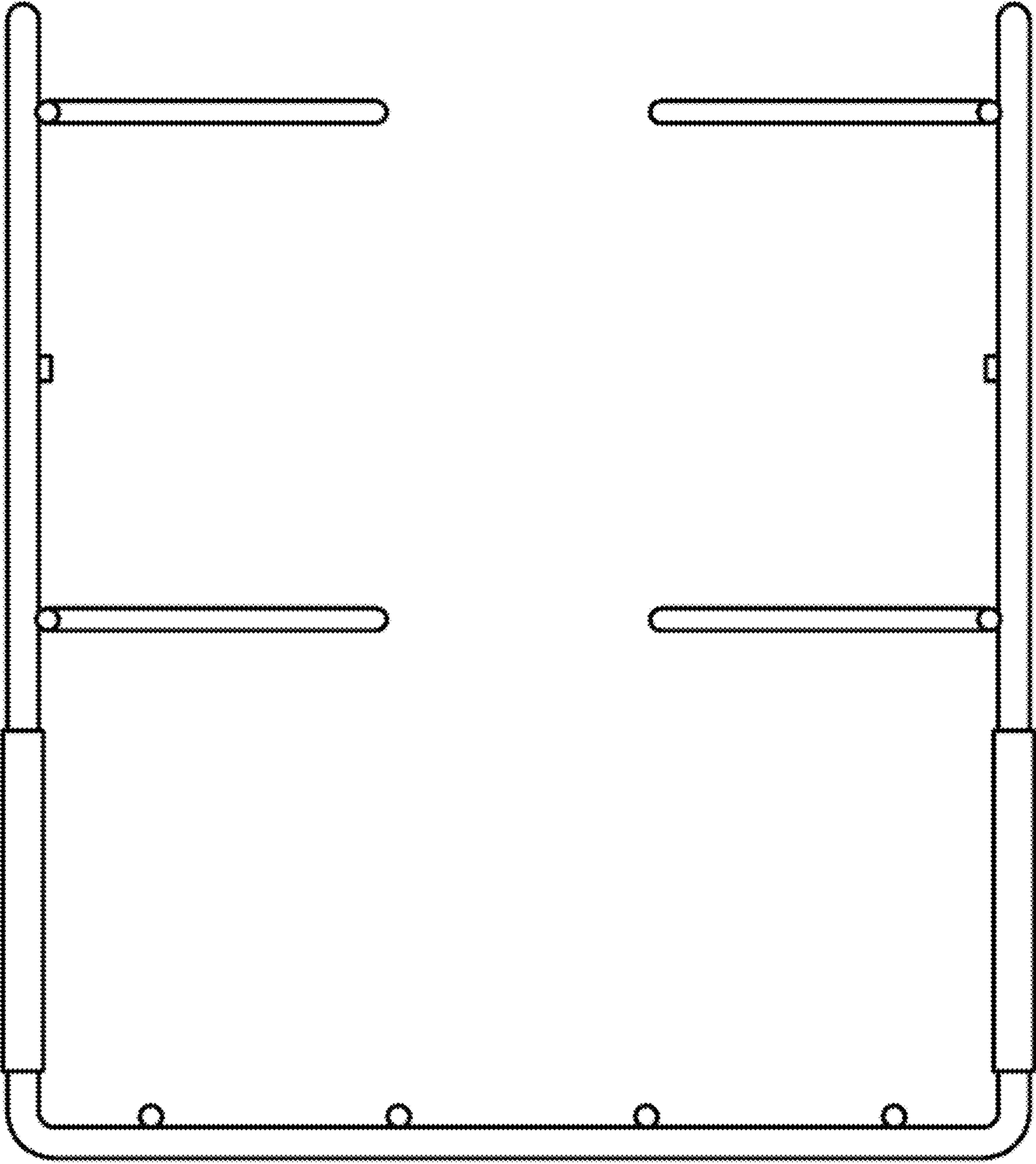


FIGURE 12

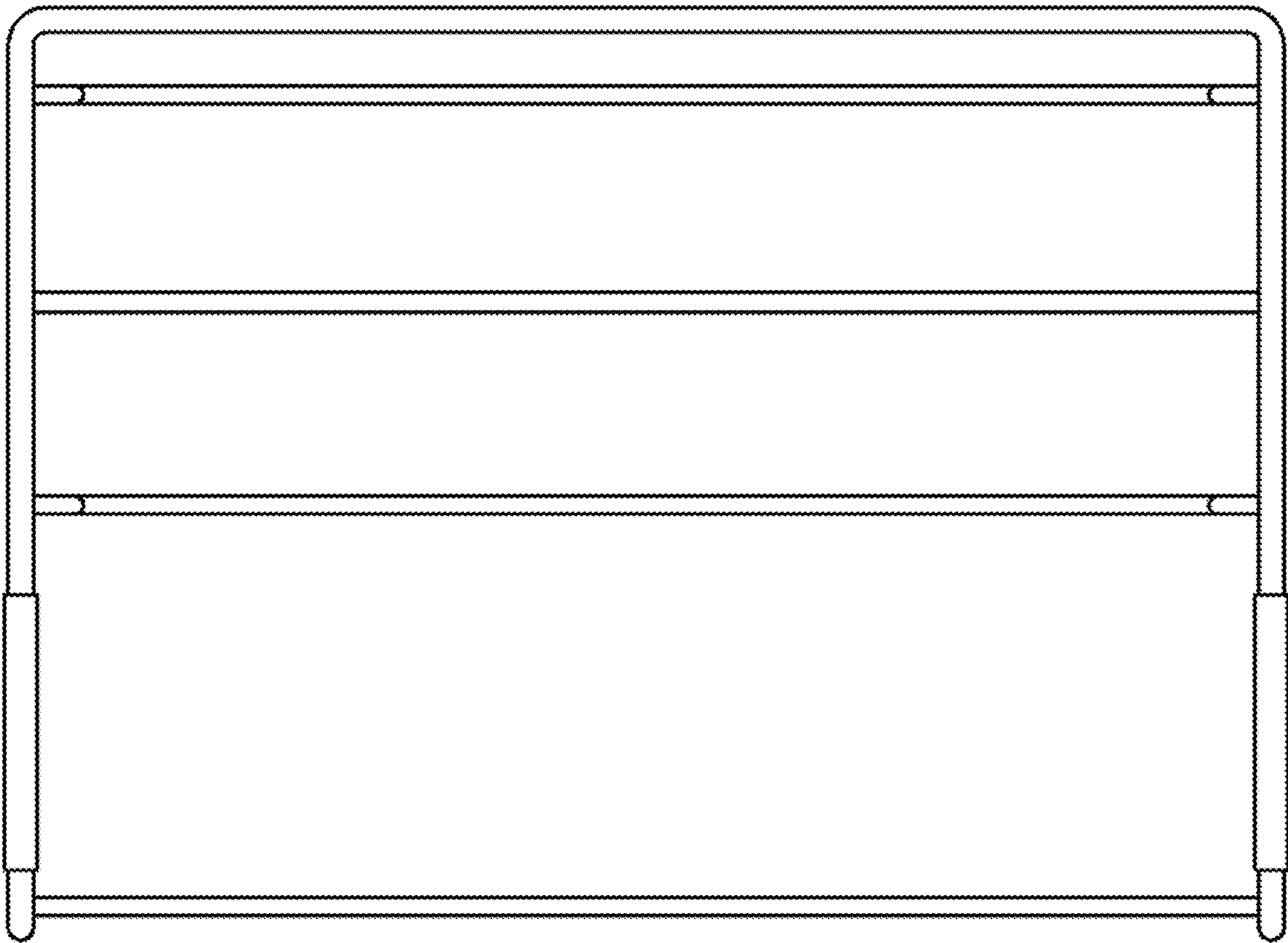


FIGURE 13

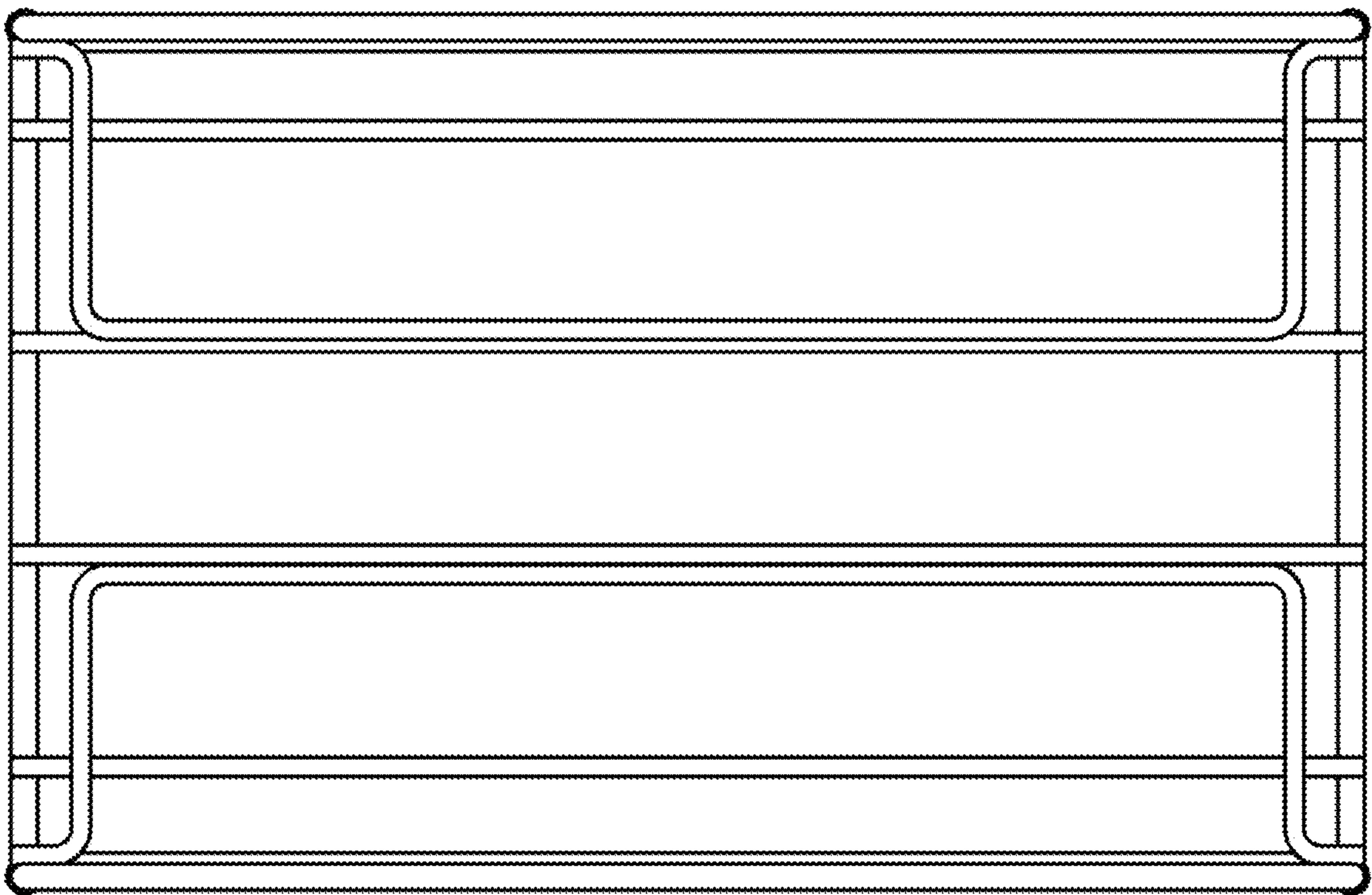


FIGURE 14



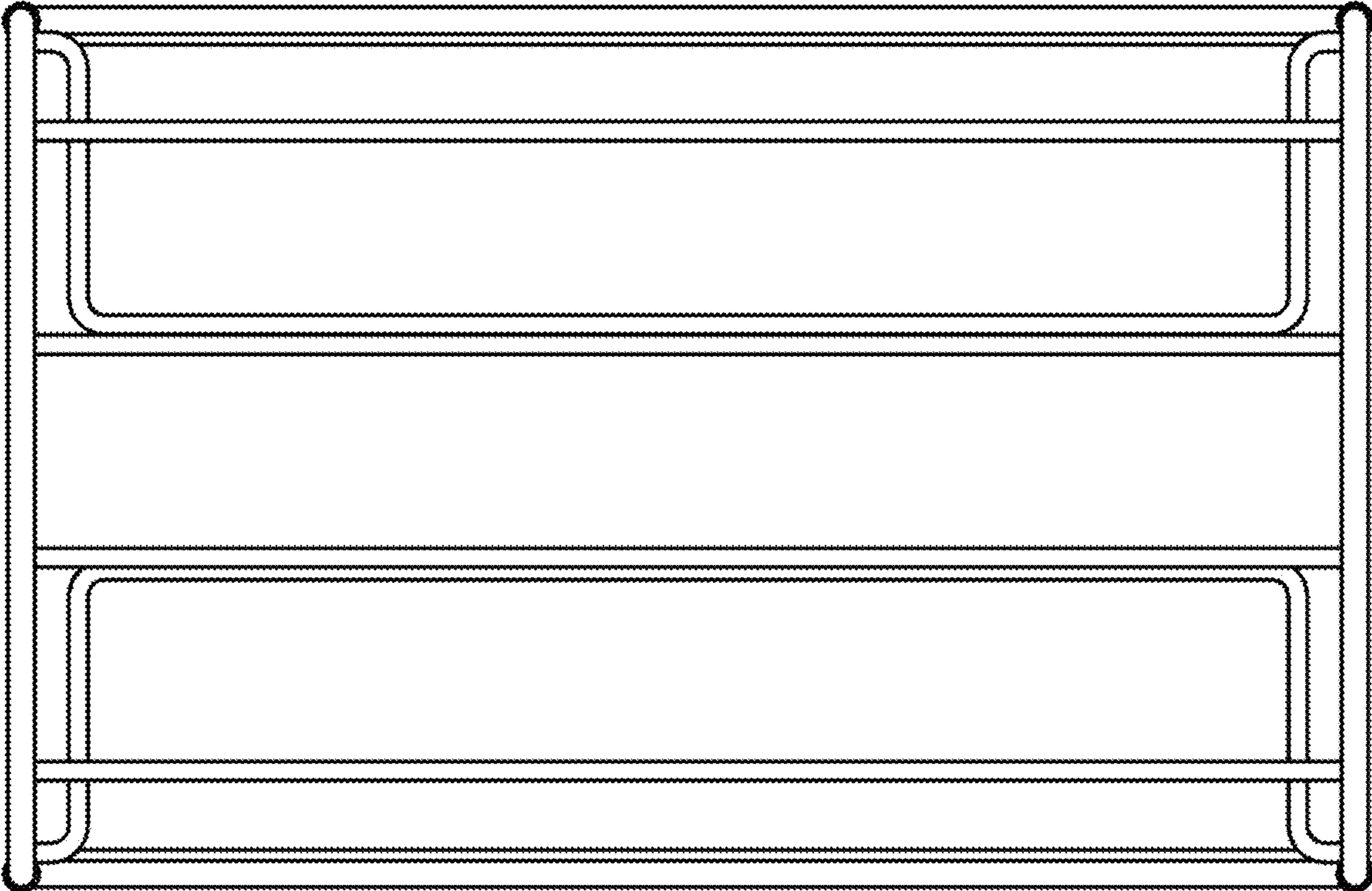


FIGURE 15